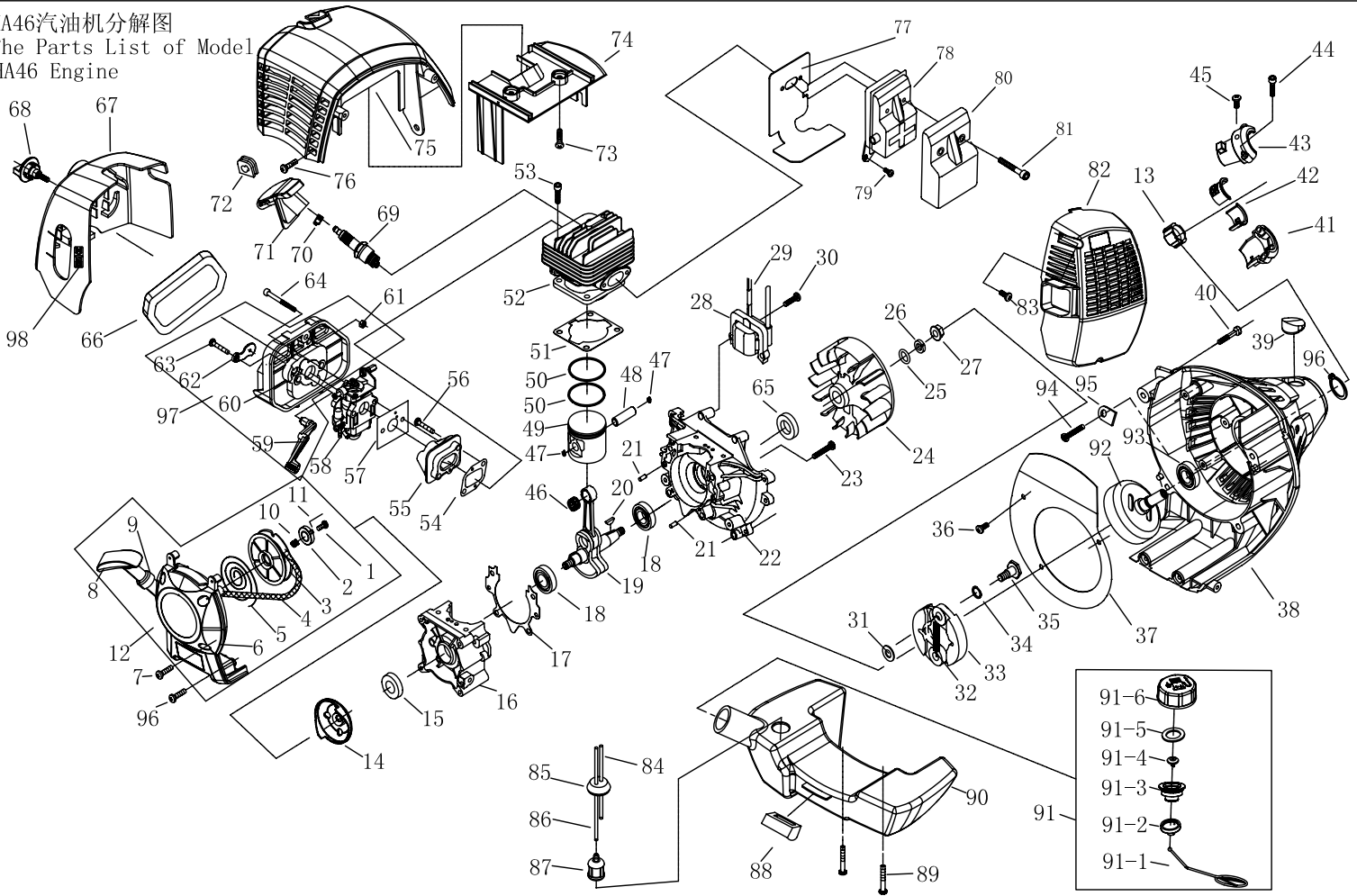
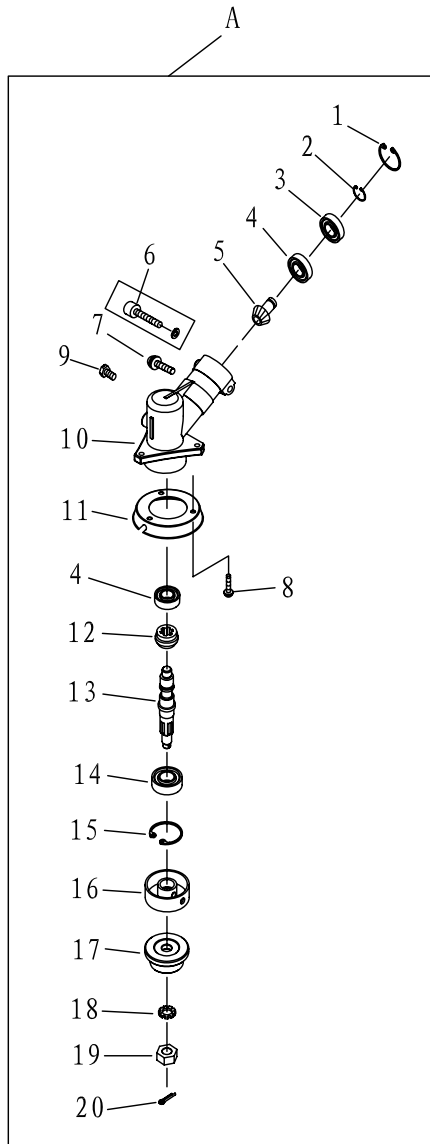


HA46汽油机分解图
The Parts List of Model
HA46 Engine

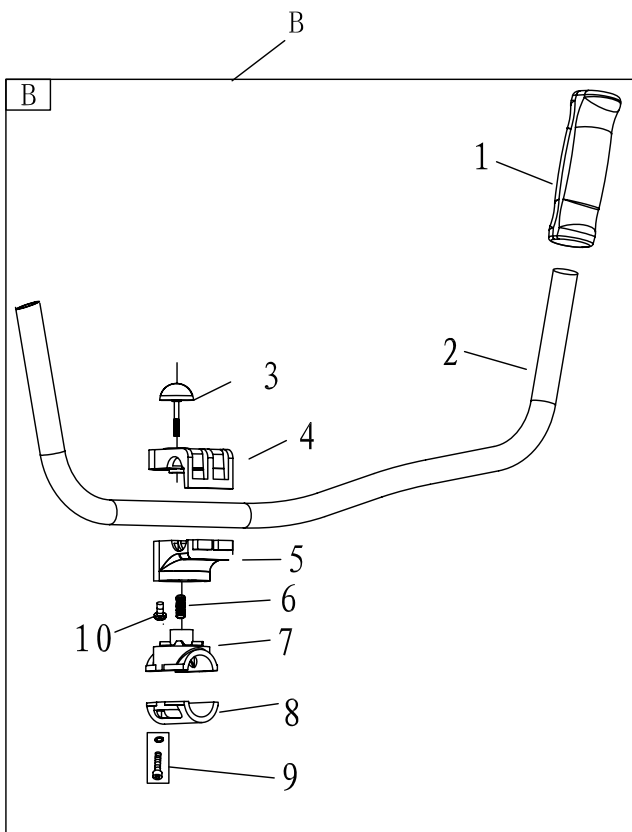


序号 NO.	代号 Part No.	名称 Part Name	数量 Qty.	序号 NO.	代号 Part No.	名称 Part Name	数量 Qty.	序号 NO.	代号 Part No.	名称 Part Name	数量 Qty.	序号 NO.	代号 Part No.	名称 Part Name	数量 Qty.
1	1E36FE. 9-3	螺钉 Screw	1	30	GB70.1+GB93+GB97	螺钉组合件 M5×20 Bolt M5×20	2	59	HA28L. 1-3	阻风门手柄 Choker Handle	1	88	1E40F-5A-2	橡胶套 Rubber Cover	1
2	1E36FE. 9-4	启动轮 Ratchet	1	31	1E36F-3	垫圈B Washer B	2	60	HA46. 5. 1. 1	空滤器内罩 Cleaner inside cover	1	89	GB70.1+GB96	螺钉组合件 M5×12 Screw M5×12	2
3	1E36FE. 9-1	绳轮 Start Rope Reel	1	32	1E36F-E. 6A-1	拉簧 Spring	1	61	GB/T809	螺母 M4 Nut M4	1	90	HA46. 7-1	油箱 Fuel Tank	1
4	1E36FE. 9-5	启动拉绳 Rope	1	33	1E36F-2C. 4. 1	涨紧块 Expander	2	62	HA36. 4. 1-2	阻风门 CHOKER	1	91	1E32FL. 6. 2	油箱盖组合 Lid Ass'y	1
5	1E36FE. 9-7	起动机弹簧 Recoil Spring	1	34	1E40F-5-11	波形垫圈 Washer	2	63	GB/T846	自攻螺钉 ST4. 2×13 Screw ST4. 2×13	1	91-1	1E32FL. 6. 2-4	防脱链 Chain	1
6	HA36. 6-1	起动机壳体 Start Cover Ass'y	1	35	P40-18	螺钉轴 Screw Pin	2	64	GB/T70. 1	内六角螺钉 M5×50 Screw M5×50	2	91-2	1E32FL. 6. 2-3	端盖 End Cover	1
7	GB70.1+GB93+GB97	螺钉组合件 M5×14 Screw M5×14	4	36	GB845	螺钉 ST4. 2X9. 5 Screw ST4. 2X9. 5	3	65	1E40F-5. 9	大油封 Oil-seal	1	91-3	1E32FL. 6. 2-2	油箱内盖 Inside Cover	1
8	CG520-HL. 5-1	起动手柄 Start Handle	1	37	HA46. 4-1	引风板 Shutterer	1	66	HA28L. 1-2	滤芯 Filter Net	1	91-4	EB-415. 4. 1. 1-1	进气嘴 Inlet	1
9	HA46. 8-2	导向套 Ring	1	38	HA46. 4. 1	连接盘 Clutch Case	1	67	HA46. 5-1	空滤器外罩 Cleaner Outside Cover	1	91-5	CG420. 1. 3. 1-2	密封垫 Gasket	1
10	1E36FE. 9-6	压簧 Spring	1	39	HA46. 4. 1-2	堵头 Stopples	2	68	HA28L. 1. 1	大头螺钉 Screw	1	91-6	1E32FL. 6. 2-1	油箱盖 Fuel Tank Lid	1
11	1E36FE. 9-2	启动拨杆 Start pole	2	40	GB70.1+GB93+GB97	螺钉 M5×16 Screw M5×16	4	69	L8RTC	火花塞 Spark Plug	1	92	HA46. 4. 2	被动盘焊合 Clutch Drum Comp.	1
12	HA46. 8	起动机 Starter	1	41	CG430H. 1-2	半圆夹板B Clamp B	1	70	1E40F-3A. 8-2	火花塞卡簧 Spring	1	93	GB/T276	轴承 6202-2RZ/P6 Bearing 6202-2RZ/P6	1
13	CG430H. 1-4	减振套B Rubber Cover B	2	42	CG430H. 1-3	减振套A Rubber Cover A	2	71	HA46. 2. 1-1	高压帽 Cap	1	94	GB845	螺钉 ST4. 8X19 Screw ST4. 8X19	2
14	1E36FE. 7	启动拨盘焊合 Start Reel	1	43	CG430H. 1-1	半圆夹板A Clamp A	1	72	1E40F-5. 3-1	胶塞 Plug	1	95	1E30FL. 5-2	挡板 Baffle	2
15	1E36F. 2	小油封 Oil-seal	1	44	GB70.1+GB93+GB97	螺钉组合件 M5×25 Screw M5×25	2	73	GB845	螺钉 ST4. 2X6. 5 Screw ST4. 2X6. 5	2	96	GB894. 1	挡圈15 Ring 15	1
16	1E40F-E. 6-2	后半曲轴箱 Crank Case	1	45	GB70.1+GB93+GB97	螺钉组合件M5×16 Screw M5×16	1	74	HA46. 3-1	导风板 Guide Clapboard	1	97	HA46. 5. 1	空滤器内罩组合 Cleaner inside cover ass'y	1
17	1E40F-5. 8-4	曲轴箱密封垫 Gasket	1	46	1E44F-2A. 2-3	小头滚针轴承 Bearing	1	75	HA46. 3-2	缸体护罩 Guide Cover	1	98	1E40F-3A. 3-5	风门开关标志 Label	1
18	GB/T276	轴承 6202/P6 Bearing 6202/P6	2	47	1E40F-03. 02. 01	活塞销挡圈 Ring	2	76	GB845	螺钉 ST2. 9X9. 5 Screw ST2. 9X9. 5	2				
19	1E40F-E. 4. 1A	曲轴连杆轴 Crank Shaft	1	48	1E46FP. 6-3	活塞销 Piston Pin	1	77	HA46-1	消音器垫 Gasket	1				
20	GB1099	半圆键 3×5×13 Key 3x5x13	1	49	1E40F-E. 4-1	活塞 Piston	1	78	1E40F-2E. 2	消音器 Muffler	1				
21	GB119	销 B4×10 Pin B4×10	2	50	1E40FP-3Z. 3-5	活塞环 Piston Ring	2	79	GB70.1+GB93+GB97	螺钉组合件M5×12 Screw M5×12	1				
22	HA46. 6-1	前半曲轴箱 Crank Case	1	51	1E40F-E-3	缸垫 Gasket	1	80	1E40F-E-6	隔热罩 Cover	1				
23	GB/T70. 1	内六角螺钉 M5×30 Screw M5×30	4	52	1E40F-2E-1	缸体 Cylinder	1	81	GB70.1+GB97	螺钉组合件 M6×60-12. 9 Screw M6×60-12. 9	2				
24	HA46. 2. 1. 1	磁电机转子 MAGNETO ROTOR COMP.	1	53	GB/T70. 1	螺钉 M5×20 Screw M5×20	4	82	HA46-2	消音器护罩 Muffler Cover	1				
25	GB/T97. 1	垫圈8 Washer8	1	54	1E40F-E-8	进气管垫 Gasket	1	83	GB/T845	自攻螺钉 ST4. 2×13 Screw ST4. 2×13	3				
26	GB/T859	垫圈8 Washer8	1	55	HA46. 9	进气管 Admitting Pipe	1	84	EB-415. 4. 2-4	黄色透明塑料管 57 Fuel Pipe 57	1				
27	GB6170	螺母 M8 Nut M8	1	56	GB70.1+GB93+GB97	螺钉组合件 M5×25 Screw M5×25	2	85	EB-415. 4. 2-2	油管塞 Plug	1				
28	HA46. 2. 1. 2	磁电机定子 IGNITION COIL COMP.	1	57	1E40F-E-7	化油器垫 Gasket	1	86	CG420. 1. 3. 2-2	透明塑料管 130 Fuel Pipe 130	1				
29	1E34F. 5. 1C	停车线组 Cord Comp.	1	58	1E40F-2E. 1A-GGP	化油器 Carburetor	1	87	P40. 12. 2-3A	燃油过滤器 Cleaner Cover	1				

BRUSHCUTTER MACHINE SPARE PARTS LIST BC46

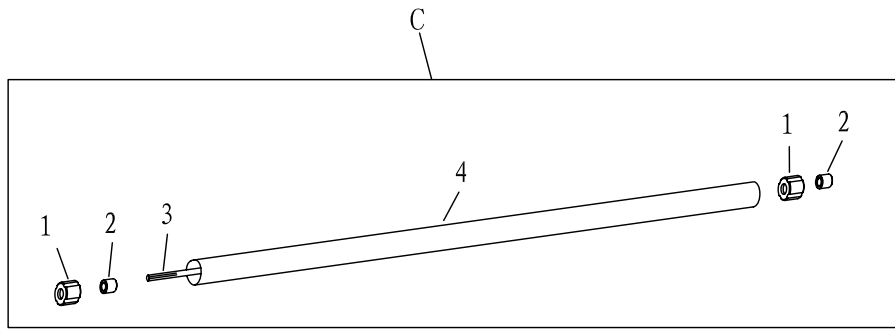


NO.	PART NO.	PART NAME	QTY.
A	CG430-CE. 3	Gear Case Ass'y	
1	GB/T893. 2	Stop Ring 26	1
2	GB/T894. 1	Stop Ring 10	1
3	GB/T276	Bearing 6000-2RS/P6	1
4	GB/T276	Bearing 6000/P6	2
5	CG415D. 6-4	Pinion	1
6	GB/T70. 1+GB/T93	Screw M5×20	1
7	GB/T70. 1+GB/T93+GB97	Screw M5×12	1
8	GB/T9074. 4	Screw M5×12	3
9	GB/T9074. 11	Bolt M5×12	1
10	CG415D. 6-2	Gear Case	1
11	BG330H. 7. 3-1	Safety Guard	1
12	BG-328. 9. 5-2	Gear	1
13	CG305F. 1-1	Gear Shaft	1
14	GB/T276	Bearing 6002-2RS/P6	1
15	GB/T893. 2	Stop Ring 32	1
16	BG305. 12. 4-5	Holder A	1
17	CG305F. 1-3	Holder B	1
18	GB/T862. 1	Washer 10	1
19	CG305F. 1-4	Left Nut	1
20	GB/T91	Pin 2×16	1

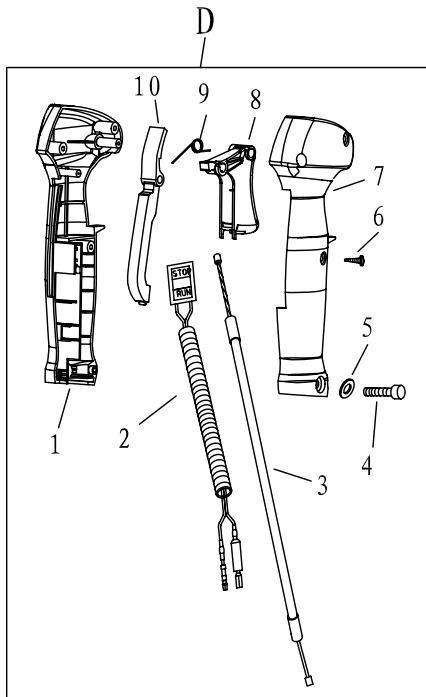


NO.	PART NO.	PART NAME	QTY.
B			
1	BC36-8	Rubber Ringer	1
2	BC36-6	HANDGRIP	1
3	BC36. 2A	Lock Bolt	1
4	BC36-5A	CAP, UPPER	1
5	BC36-3A	BRACKET	1
6	BC36-4	Spring	1
7	BC36-2A	Eddy Seat	1
8	BC36-1	CAP, Lower	1
9	BC36. 4-2+GB93	Screw M5*20	2
10	BC36-SB-1	Screw M5*10	1

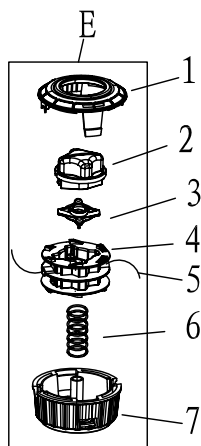
BRUSHCUTTER MACHINE SPARE PARTS LIST BC46



NO.	PART NO.	PART NAME	QTY.
C	BC46. 1	Pipe Comp.	1
1	CG415D. 4-2	Rubber Cover	6
2	BG-328. 9. 4-4	Oil-bearing	6
3	CG40. 3-2	Drive Shaft	1
4	BC46. 1-1	Pipe	1

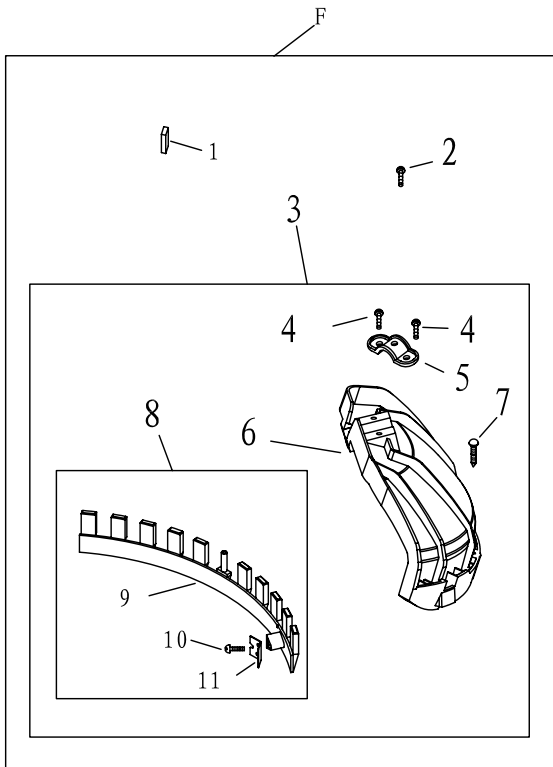


NO.	PART NO.	PART NAME	QTY.
D	BC36. 3	Lever Ass'y	
1	BC36. 3. 3	Box, Left	1
2	BC36. 3. 1	Stop Button Comp.	1
3	BC36. 3. 2	Cable Comp.	1
4	GB/T818	BOLT M5*30	1
5	GB/T848	WASHER 5	1
6	GB/T845	BOLT ST3. 5*13	4
7	BC36. 3-1	Box, Right	1
8	BC36. 3-6	Handgrip	1
9	BC36. 3-5	Spring	1
10	BC36. 3-3	HANDGRIP	1

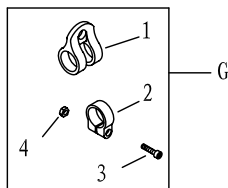


NO.	PART NO.	PART NAME	QTY.
E	BC36. 5	Nylon Cutter Head	
1	BC36. 5-2	CAP Rope Room	1
2	BC36. 5-1	Bounce Object	1
3	BC36. 5-3	Rope Cap	1
4	BC36. 5-4	Rope Seat	1
5		Cord ϕ 2. 0 \times 3100	1
6	BC36. 5-6	Spring	1
7	BC36. 5. 1	Rope Room	1

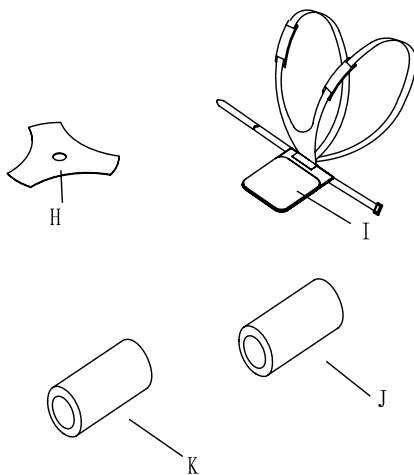
BRUSHCUTTER MACHINE SPARE PARTS LIST BC46



NO.	PART NO.	PART NAME	QTY.
F			
1	BC46-5	Blade Cover	1
2	GB/T70.1	BOLT M5*10	2
3	BC46.2	Guard Ass'y	1
4	BC36.4-2	Screw M5*12	2
5	BC46.2-1	SAFETY GUARD BRACKET	1
6	BC46.2.1	Safety Guard	1
7	GB/T845	Screw ST4.2×16	1
8	BC46.2.2	Guard Ass'y	1
9	CG420.7.1.1-1	Guard	1
10	GB/T845	Screw ST4.2×16	2
11	BC46.2.2-1	Blade	1



NO.	PART NO.	PART NAME	QTY.
G	CG420.3	Holder Ass'y	
1	CG420.3.1	Harness Clamp	1
2	CG420.3-1	Clamp	1
3	GB/T70.1	Screw M5×20	1
4	GB/T889.1	Nut M5	1



NO.	PART NO.	PART NAME	QTY.
H	CG420-2	Blade	1
I	CG520-HL.1	Harness Ass'y	1
J	BC46-7	Bubble Jacket A	1
K	BC46-6	Bubble Jacket	1