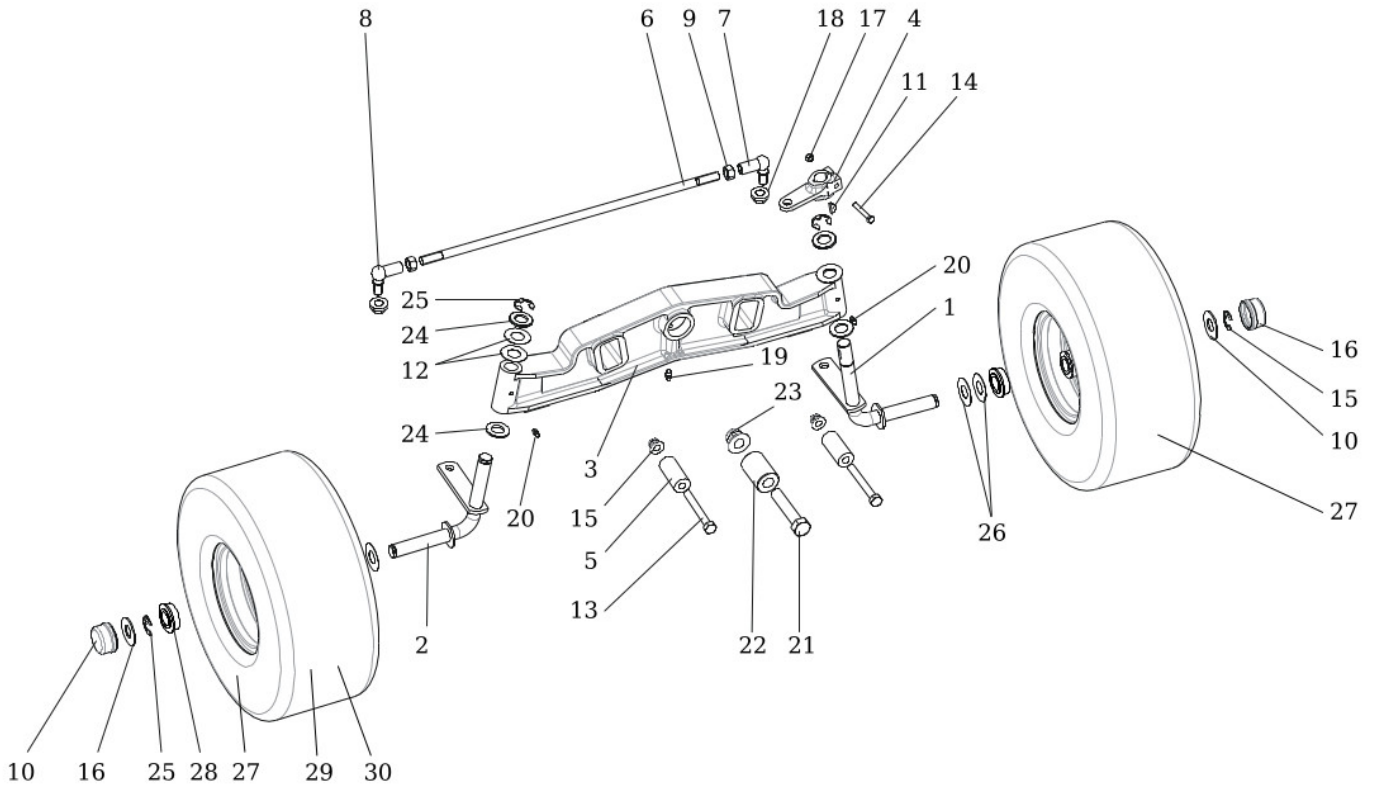




Model: Challenge AJ 2.80-13.50
Group: KAJ01-12-0002 Engine Powerbuilt 13HP -Challenge

Season: 2012

| ID | Name | Code | Amount | Price |
|----|-----------------------------------|---------------|--------|-------|
| 1 | Engine Powerbuilt 13HP | N482349028 | 1 | EUR |
| 2 | Screw M 8X40 | N309503544 | 4 | EUR |
| 3 | Exhaust Nelson 24772 N | N443900118 | 1 | EUR |
| 4 | Washer 8 | N311214502 | 2 | EUR |
| 5 | Nut M 8 DIN 6926 8 Zinc | N532150290 | 4 | EUR |
| 6 | Screw vyf.imbus 5/16x3/4 Unc Zinc | N309579502 | 2 | EUR |
| 7 | Spring for engine BS 12+15HP | S532092312133 | 1 | EUR |
| 8 | Label 0-8732-337 | N283292223 | 2 | EUR |
| 9 | HOOK 0-9242-240 | N532980071 | 1 | EUR |
| 10 | Screw M 8X25 KL 100 RIPP V Zinc | N309503005 | 2 | EUR |
| 11 | Throttle lever 25-1105 9-8071-275 | N000443001 | 1 | EUR |
| 12 | Throttle lever 0-8060-239 | N443900138 | 1 | EUR |
| 13 | Screw M 4X14 021131.25 | N309231535 | 1 | EUR |
| 14 | Nut M4 | N311129514 | 1 | EUR |
| 15 | Reinforcement | S532080302873 | 1 | EUR |
| 16 | Nut W1/4-20 Unc Zinc. | N311122501 | 1 | EUR |
| 17 | Screw M 5X16 | N309251515 | 4 | EUR |
| 18 | Nut M5 | N311129515 | 4 | EUR |
| 19 | Screw M6X16 | N309503508 | 4 | EUR |
| 20 | Washer 6.4 | N311210502 | 4 | EUR |
| 21 | Washer 6 | N311214501 | 4 | EUR |
| 22 | Exhaust cover | S532085427293 | 1 | EUR |
| 23 | Exhaust tube complete | S532927442413 | 1 | EUR |
| 24 | Holder | S532113405013 | 1 | EUR |
| 25 | SCREW M 6X16 DIN 7500D BN 3326 | N309578517 | 4 | EUR |
| 26 | Engine pulley 9-3325-289 | N532151118 | 1 | EUR |



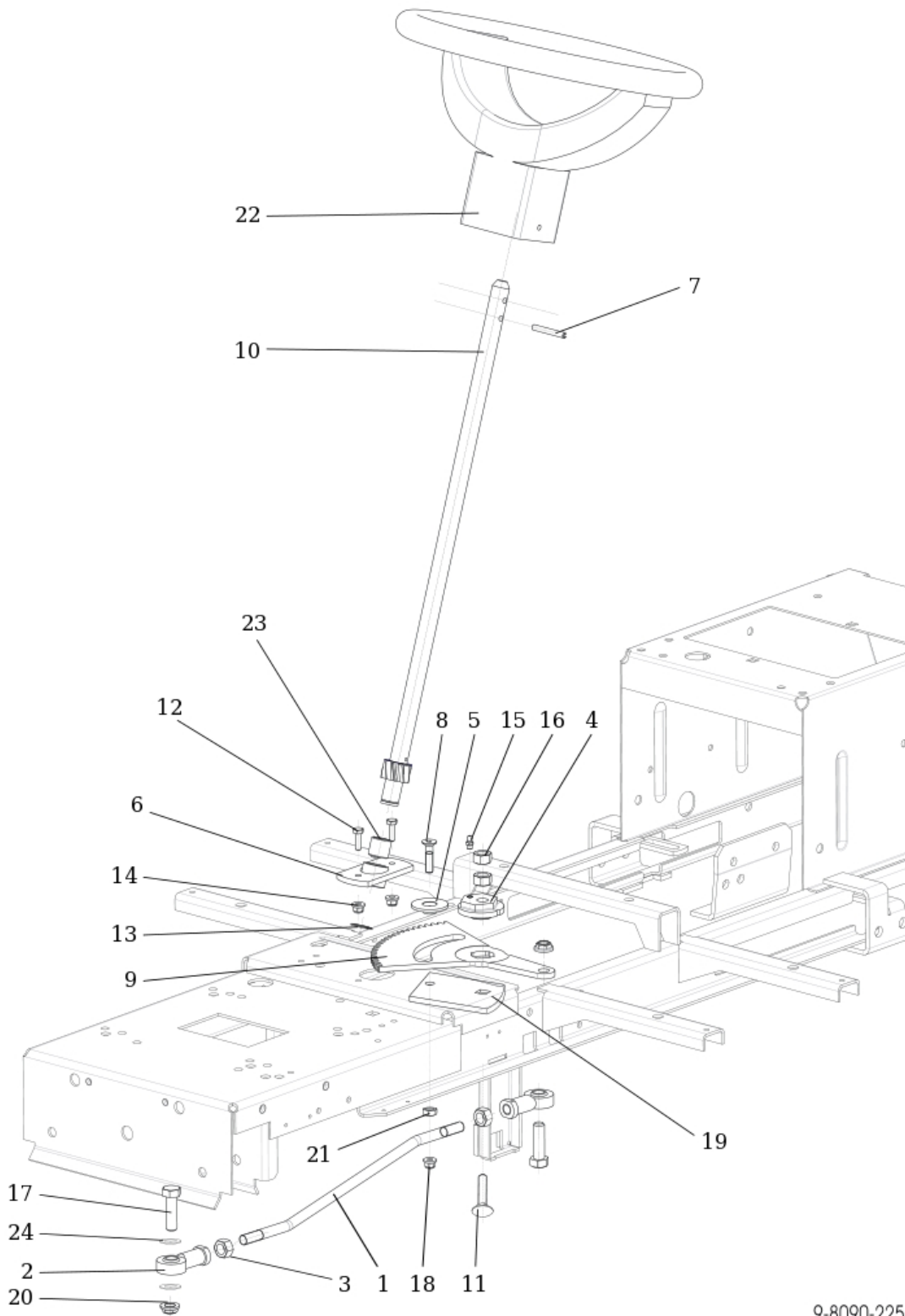
9-1696-298



Model: Challenge AJ 2.80-13.50
Group: KAJ03-12-0001 Front axle Challenge

Season: 2012

| ID | Name | Code | Amount | Price |
|----|-----------------------------------|---------------|--------|-------|
| 1 | Pin left | S532916432263 | 1 | EUR |
| 2 | Pin right | S532916432273 | 1 | EUR |
| 3 | Axle | S532016542063 | 1 | EUR |
| 4 | Lever | S532080503603 | 1 | EUR |
| 5 | Spacer | S532195203533 | 2 | EUR |
| 6 | Connecting rod 0-9010-569 | N532980152 | 1 | EUR |
| 7 | Angular joint 16 R DIN71802CS M12 | N442073020 | 1 | EUR |
| 8 | Angular joint 16 L DIN71802CS M12 | N442073019 | 1 | EUR |
| 9 | Nut M12 left | N311120539 | 1 | EUR |
| 10 | Cover 0-8025-237 | N532150915 | 2 | EUR |
| 11 | Woodruff key 5e7X7.5 | N311728003 | 1 | EUR |
| 12 | Washer 19 | N311210514 | 4 | EUR |
| 13 | Screw M 10X80 | N309501527 | 2 | EUR |
| 14 | Screw M 6X40 | N309203524 | 1 | EUR |
| 15 | Nut M 10 DIN 6926 Zinc | N311129523 | 1 | EUR |
| 16 | Washer | S532092208363 | 2 | EUR |
| 17 | Nut M 6 | N311129513 | 1 | EUR |
| 18 | Nut M 12 DIN 6923 8 Zinc. toothed | N311129521 | 2 | EUR |
| 19 | Lubricating head MK 8x1 | N425111016 | 1 | EUR |
| 20 | Lubricating head MK 6x1 | N425111004 | 2 | EUR |
| 21 | Screw M 8x90 | N309501524 | 1 | EUR |
| 22 | Pin | S532093202793 | 1 | EUR |
| 23 | Nut M 16 DIN 6926 | N311129527 | 1 | EUR |
| 24 | Washer | S532092208383 | 4 | EUR |
| 25 | Lock ring E-75 3/4 | N311732023 | 4 | EUR |
| 26 | Washer | S532092208153 | 6 | EUR |
| | Wheel front 15x6.00-6 CHEVRON | N532940171 | 2 | EUR |
| 28 | Front wheel bearing 3/4 Compensa | N324196019 | 4 | EUR |
| 29 | Tyre front 15x6.00-6 Chevron | N274161029 | 2 | EUR |
| 30 | Wheel disc front 4.50AX6H2 OTR | N325111026 | 2 | EUR |



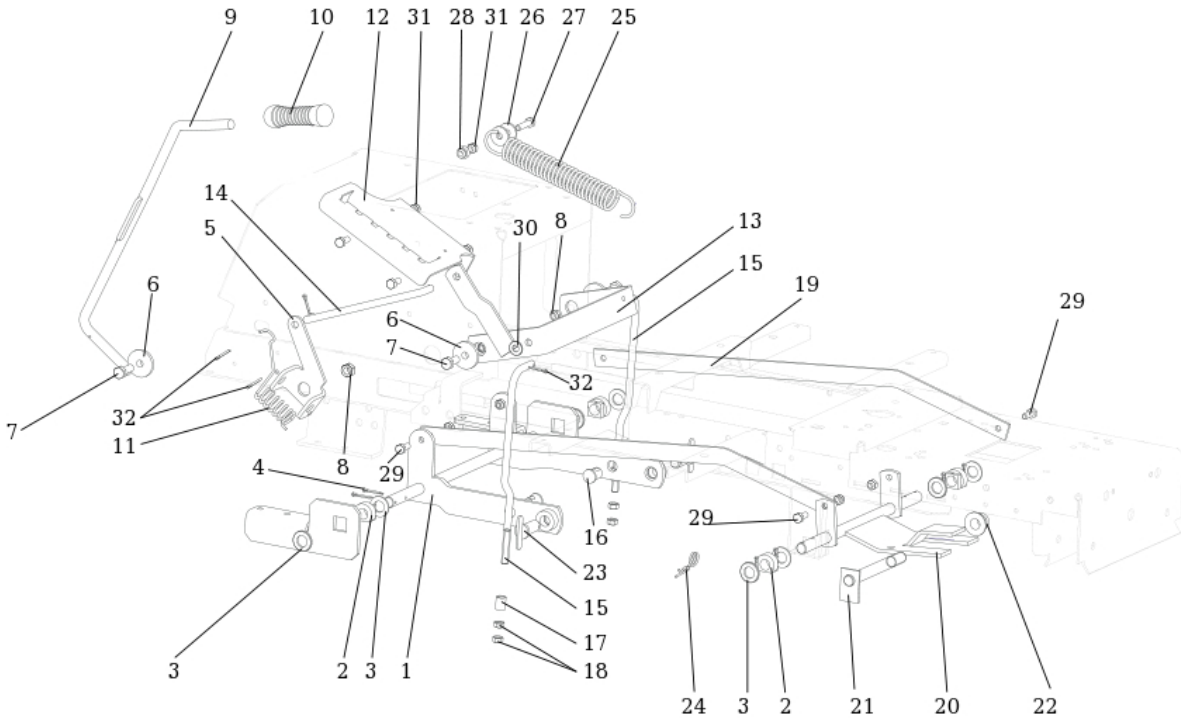
9-8090-225



Model: Challenge AJ 2.80-13.50
Group: KAJ05-12-0001 Steering Challenge

Season: 2012

| ID | Name | Code | Amount | Price |
|----|-----------------------------------|---------------|--------|-------|
| 1 | Driving rod 0-8041-321 | N532980153 | 1 | EUR |
| 2 | Joint head PHS 12 CN | N442073028 | 2 | EUR |
| 3 | Nut M 12 | N311150505 | 2 | EUR |
| 4 | Eccentric | S532080272033 | 1 | EUR |
| 5 | Spacer | S532195202593 | 1 | EUR |
| 6 | Bearing | S532938542093 | 1 | EUR |
| 7 | Spring pin 6x45 | N315238031 | 1 | EUR |
| 8 | Screw M 8x35 DIN 7991 10.9 Zinc | N309578534 | 1 | EUR |
| 9 | Toothed Segment | S532033322433 | 1 | EUR |
| 10 | Pinion compl. | S532930252193 | 1 | EUR |
| 11 | Screw M 12X55.8.8 A3L ISO 8677 | N309019522 | 1 | EUR |
| 12 | Screw M 6X20 | N309503548 | 2 | EUR |
| 13 | Lock ring 19 | N311733607 | 1 | EUR |
| 14 | Nut M 6 DIN 6926 | N311129525 | 2 | EUR |
| 15 | Lubricating head MK 6x1 | N425111004 | 1 | EUR |
| 16 | Nut M 12 | N311150505 | 2 | EUR |
| 17 | Screw M12X40 | N309503505 | 2 | EUR |
| 18 | Nut M 8 | N311120520 | 1 | EUR |
| 19 | WASHER | S532113326273 | 1 | EUR |
| 20 | Nut M 12 DIN 6923 8 Zinc. toothed | N311129521 | 2 | EUR |
| 21 | Nut M8 DIN 6923 8 Zinc. toothed | N311129520 | 1 | EUR |
| 22 | Steering wheel M 2000 | N443821004 | 1 | EUR |
| 23 | Bushing 1920 KU | N323721002 | 1 | EUR |
| 24 | Washer 12 | N311214504 | 2 | EUR |





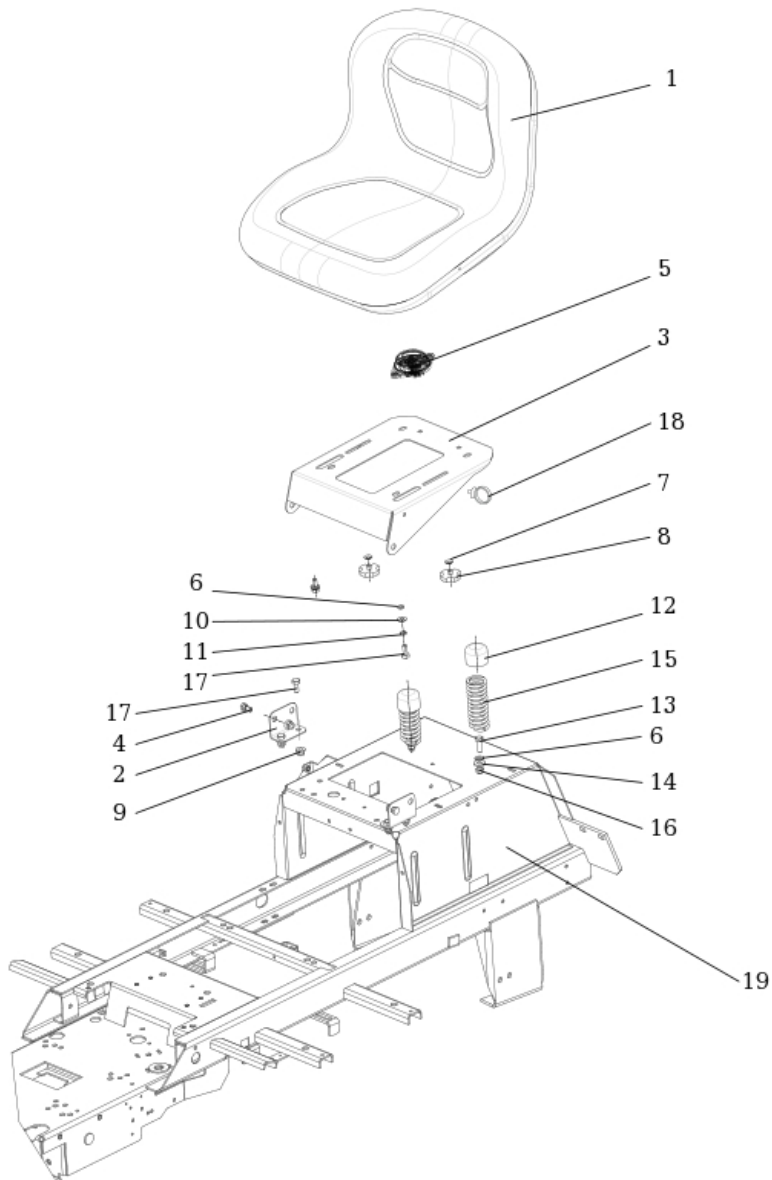
Model: Challenge AJ 2.80-13.50
Group: KAJ06-12-0001 Mowing lifting - Challenge

Season: 2012

| ID | Name | Code | Amount | Price |
|-----|----------------------------------|---------------|--------|-------|
| 1 | Lifting arms | S532980508243 | 1 | EUR |
| 2 | Bushing 0-9462-202 | N722643023 | 4 | EUR |
| 3 | Washer 17 | N311210507 | 8 | EUR |
| 4 | Spindle 3.2x25 | N311338517 | 10 | EUR |
| 5 | Lever holder | S532113415563 | 1 | EUR |
| 6 | WASHER | S532092212293 | 3 | EUR |
| 7 | Screw M 10X30 | N309503510 | 3 | EUR |
| 8 | Nut M 10 | N311129502 | 3 | EUR |
| 9 | Lifting lever | S532980412173 | 1 | EUR |
| 10 | Handle 511-035-14 (32x114) black | N532151195 | 1 | EUR |
| 11 | Spring 0-9746-504 lifting | N315231265 | 1 | EUR |
| 12 | Lifting segment | S532113425333 | 1 | EUR |
| 13 | Lifting holder | S532913413293 | 1 | EUR |
| 14 | Lifting rod 0-8041-324 | N532151192 | 1 | EUR |
| 15 | Lifting rod 0-8042-265 | N532151193 | 2 | EUR |
| 16 | Pin | S532090164633 | 2 | EUR |
| 17 | Spacer | S532095213823 | 2 | EUR |
| 18 | Nut M 10 | N311150506 | 4 | EUR |
| 19 | Tie rod | S532080323323 | 2 | EUR |
| 200 | Lifting arms | S532913424353 | 1 | EUR |
| 21 | Shaft | S532938122573 | 1 | EUR |
| 22 | Nut M 16 DIN 6926 | N311129527 | 1 | EUR |
| 23 | Pin complete | S532993462343 | 2 | EUR |
| 24 | Flexible spindle 0-9245-999 | N315238003 | 2 | EUR |
| 25 | Spring 0-9746-460 | N315231193 | 1 | EUR |
| 26 | Washer 9 Zinc | N311212508 | 2 | EUR |
| 27 | Screw M 8X35 | N309503543 | 1 | EUR |
| 28 | Nut M 8 DIN 6926 8 Zinc | N532150290 | 1 | EUR |
| 29 | Screw M 8X25 | N309503512 | 4 | EUR |
| 30 | Washer 10.5 | N311210504 | 4 | EUR |



| | | | | |
|----|----------------|------------|---|-----|
| 31 | Nut M 8 | N311129501 | 7 | EUR |
| 32 | Spindle 3.2x20 | N311338516 | 6 | EUR |



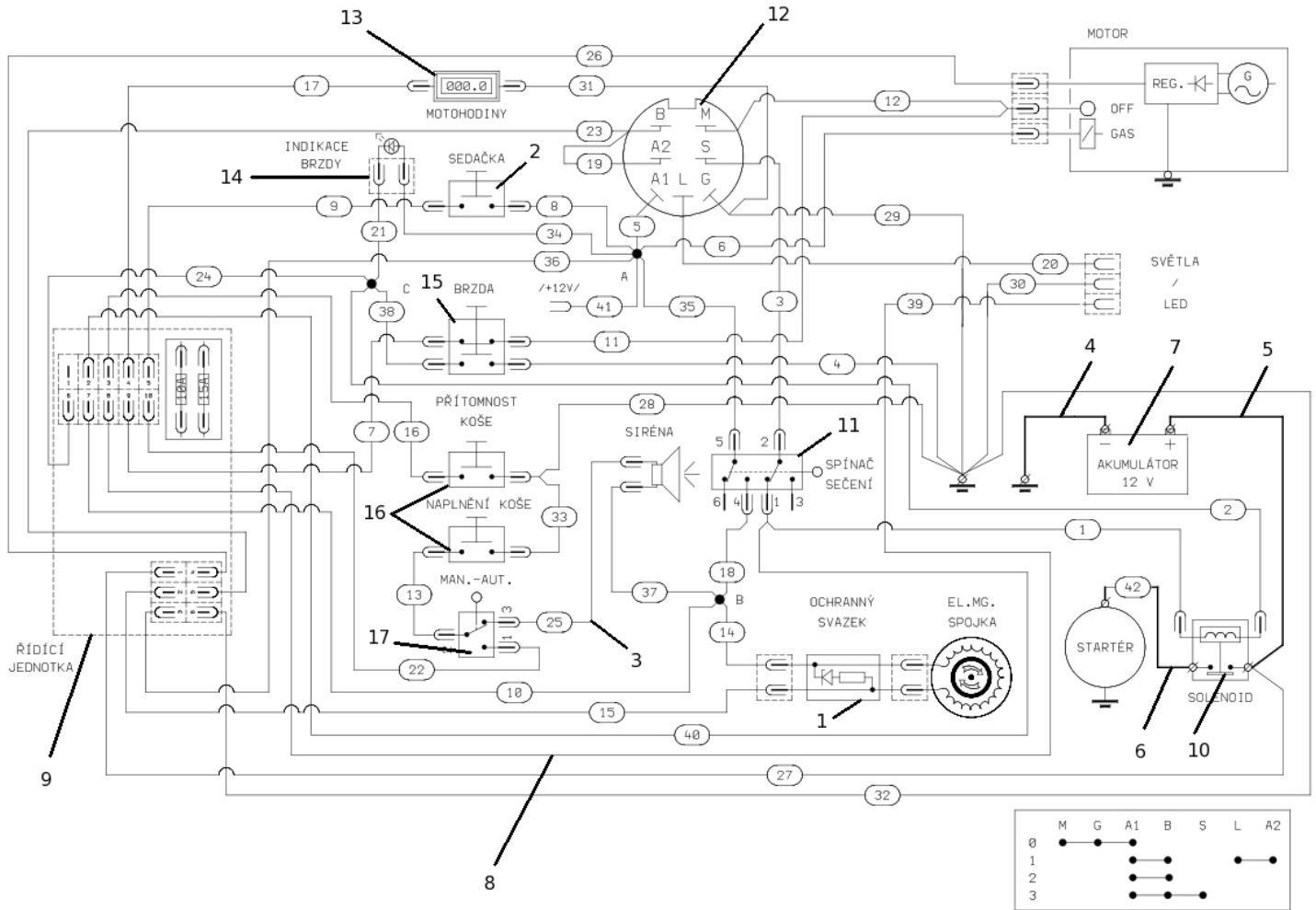
KATALOG 9-1896-261



Model: Challenge AJ 2.80-13.50
Group: KAJ11-12-0001 Hood n.1 Challenge

Season: 2012

| ID | Name | Code | Amount | Price |
|----|--------------------------------|----------------|--------|-------|
| 1 | Seat XH 150 MILSCO | N532150991 | 1 | EUR |
| 2 | Carrier holder | S532113402403B | 2 | EUR |
| 3 | Seat carrier | S532018472433 | 1 | EUR |
| 4 | Carrier screw 0-9016-427 | N309599012 | 2 | EUR |
| 5 | Seat switch DELTA 6500-02 | N532150990 | 1 | EUR |
| 6 | Washer BN 739 8X12X2 | N311219002 | 2 | EUR |
| 7 | Washer 8.4 Zinc | N311213503 | 2 | EUR |
| 8 | Stopping nut M8x18 PR.40 black | N532150213 | 2 | EUR |
| 9 | Nut M 8 DIN 6926 8 Zinc | N532150290 | 6 | EUR |
| 10 | Washer 8.4 | N311210503 | 2 | EUR |
| 11 | Washer 8 | N311214502 | 2 | EUR |
| 12 | Cover 38/A PVC Black | N532150208 | 2 | EUR |
| 13 | Screw M 8X25 | N309503512 | 2 | EUR |
| 14 | Washer 9 Zinc | N311212517 | 4 | EUR |
| 15 | Spring 0-9746-434 | N315231124 | 2 | EUR |
| 16 | Nut M 8 | N311129501 | 2 | EUR |
| 17 | Screw M8X20 | N309503518 | 6 | EUR |
| 18 | Clip WSBH 1-0-1 | N532150211 | 1 | EUR |
| 19 | Chassis complete 92 | S532912962813 | 1 | EUR |

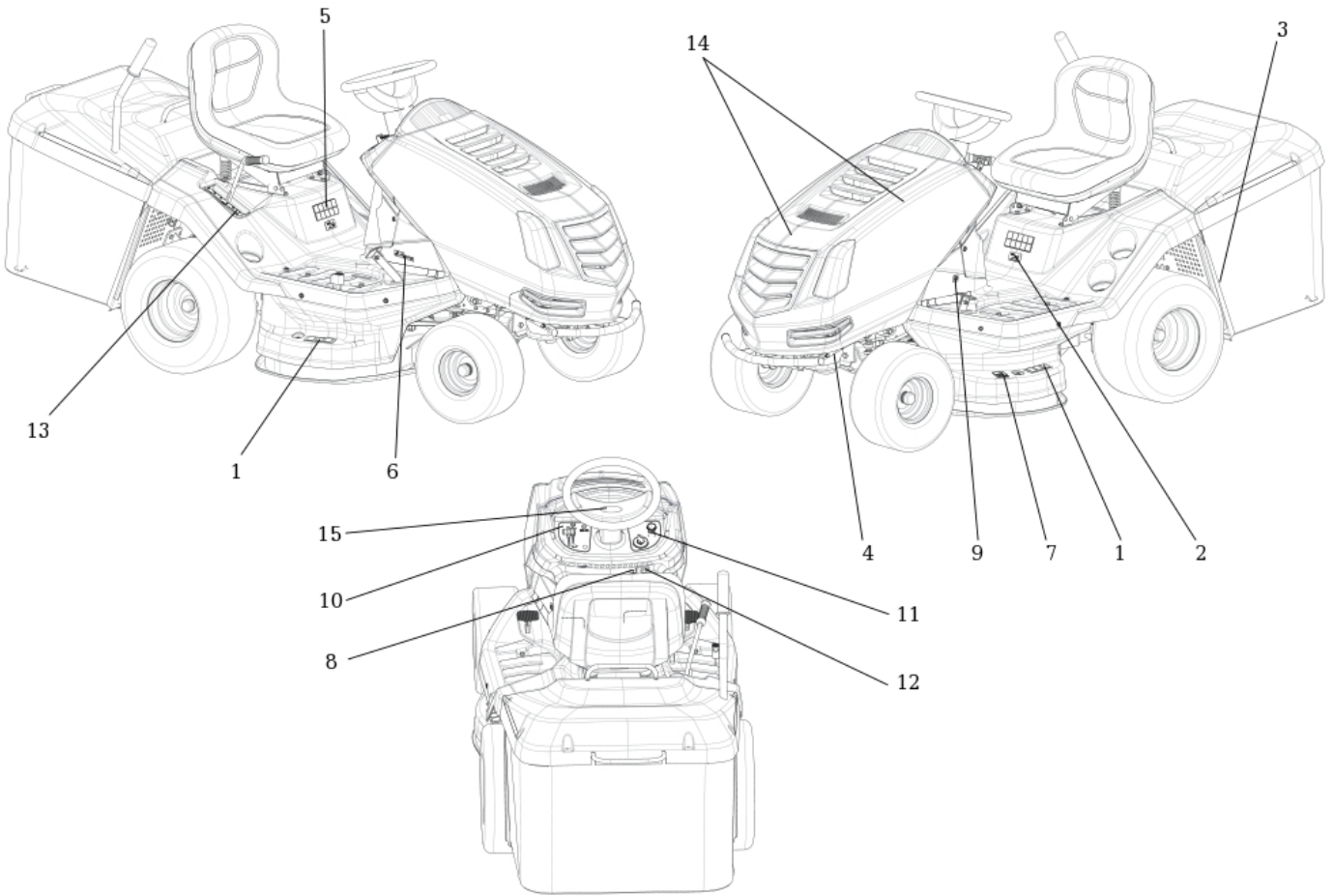




Model: Challenge AJ 2.80-13.50
Group: KAJ13-12-0001 Electrical installation Challenge

Season: 2012

| ID | Name | Code | Amount | Price |
|----|-----------------------------------|------------|--------|-------|
| 1 | Protective diodes harness 9-8316- | N341271052 | 1 | EUR |
| 2 | Seat switch DELTA 6500-02 | N532150990 | 1 | EUR |
| 3 | Connecting cable 9-8316-612 | N341271134 | 1 | EUR |
| 4 | Cable 9-8316-553 | N341271006 | 1 | EUR |
| 5 | Cable 9-8316-624 solenoid+battery | N341271172 | 1 | EUR |
| 6 | Cable 9-8316-570 | N341271021 | 1 | EUR |
| 7 | Battery 12V-24Ah dry,charged | N346211006 | 1 | EUR |
| 8 | Wiring harness KS 004067 | N341271186 | 1 | EUR |
| 9 | Module KS 004022 AJ0410 | N341271162 | 1 | EUR |
| 10 | Solenoid 12V Clum 94255 | N000532033 | 1 | EUR |
| 11 | Switch PTO Delta 6201-321 | N345329022 | 1 | EUR |
| 12 | Switch box Delta 6900-47 P | N443861007 | 1 | EUR |
| 13 | Hour-meter SEN DEC DIGITAL | N443433003 | 1 | EUR |
| 14 | Light indicator KS 004016 | N443312022 | 1 | EUR |
| 15 | Switch DELTA 6700-01B | N532150994 | 1 | EUR |
| 16 | Microswitch MKH 12 D 13-S1 | N345359004 | 2 | EUR |
| 17 | Not used in this performance | NK00000000 | 1 | EUR |

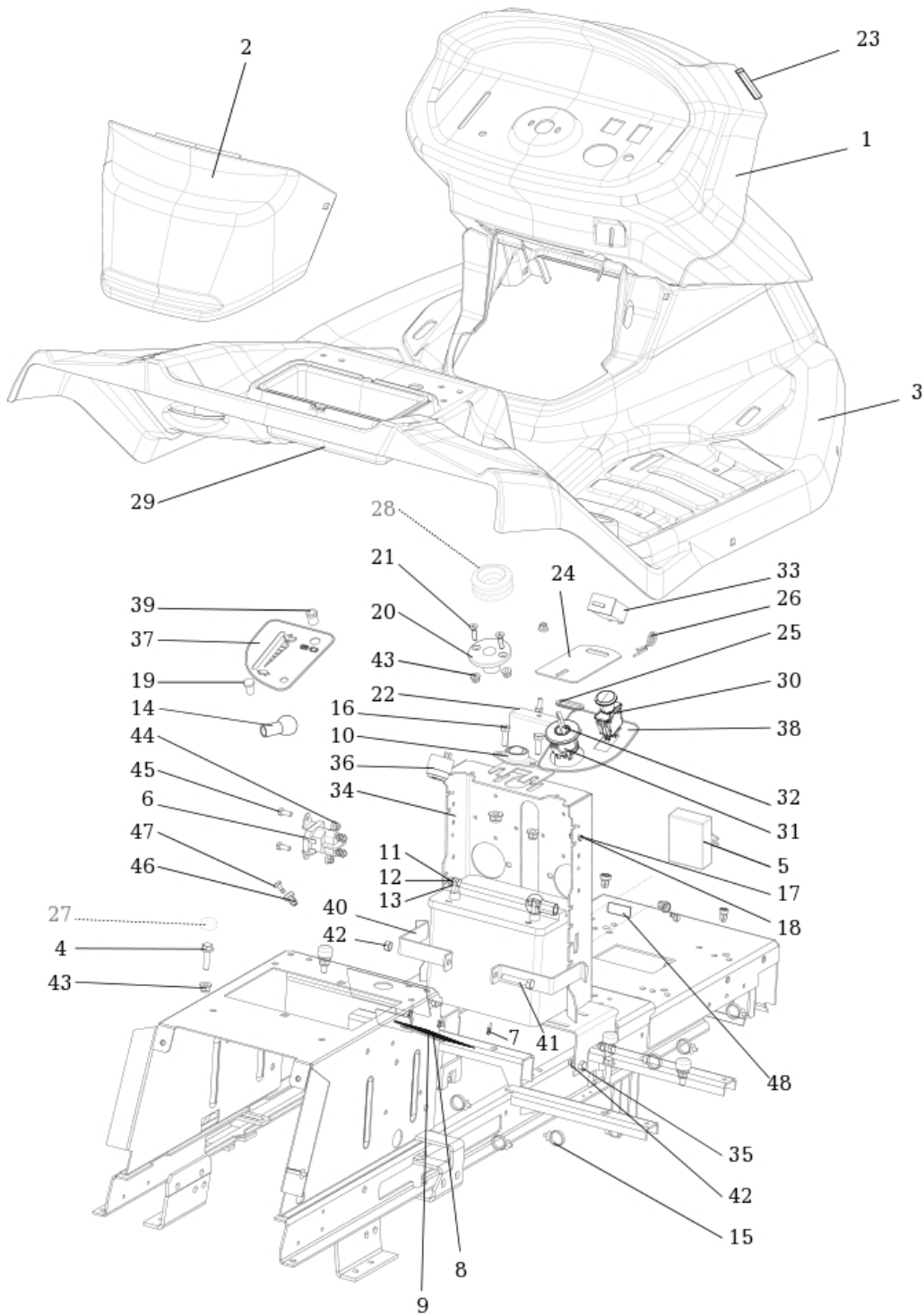




Model: Challenge AJ 2.80-13.50
Group: KAJ14-12-0002 Labels Challenge

Season: 2012

| ID | Name | Code | Amount | Price |
|----|--------------------------------|---------------|--------|-------|
| 1 | Label 0-8730-510 | N283292121 | 2 | EUR |
| 2 | Label 0-8732-251 Slope | N283292159 | 1 | EUR |
| 3 | Label 0-8732-311 | N283292192 | 1 | EUR |
| 4 | Label 0-8732-337 | N283292223 | 2 | EUR |
| 5 | Label 0-8732-336 | N283292228 | 1 | EUR |
| 6 | Label 0-8732-444 | N283292327 | 1 | EUR |
| 7 | Label 0-8732-559 Noise | N283292437 | 1 | EUR |
| 8 | Label 0-8732-841 | N283292696 | 1 | EUR |
| 9 | Label 0-8732-842 | N283292697 | 1 | EUR |
| 10 | Label 0-8732-943 Panel L | N283292796 | 1 | EUR |
| 11 | Label 0-8732-944 Panel P | N283292797 | 1 | EUR |
| 12 | Label 0-8732-952 Red | N283292798 | 1 | EUR |
| 13 | Label 0-8732-939 lifting | N283292799 | 1 | EUR |
| 14 | Customer labels set | S532000000000 | 1 | EUR |
| 15 | Label for steering wheel M2000 | N283292673 | 1 | EUR |





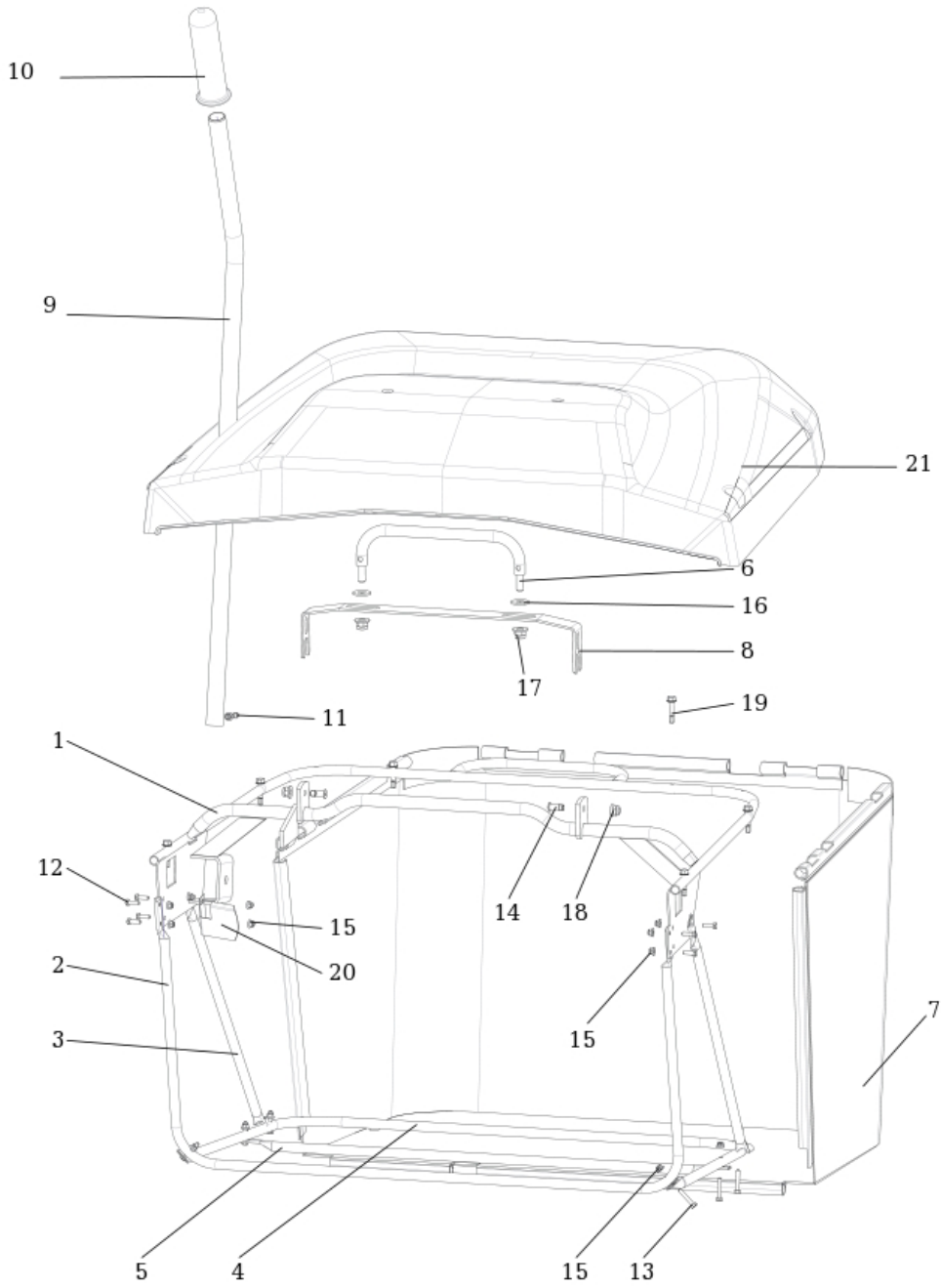
Model: Challenge AJ 2.80-13.50
Group: KAJ15-12-0003 Panel Challenge

Season: 2012

| ID | Name | Code | Amount | Price |
|----|-----------------------------------|---------------|--------|-------|
| 1 | Panel 9-8048-201 Cadillac | N532151187 | 1 | EUR |
| 2 | Battery cover 08-8547-807 | N532151198 | 1 | EUR |
| 3 | Floor 9-1847-335 Cadillac | N532151188 | 1 | EUR |
| 4 | Screw M 8X30 DIN 6921 8.8 Zinc | N309578012 | 4 | EUR |
| 5 | Module KS 004022 AJ0410 | N341271162 | 1 | EUR |
| 6 | Solenoid 12V Clum 94255 | N000532033 | 1 | EUR |
| 7 | Rivet 282702 | N532151116 | 2 | EUR |
| 8 | Label 0-8732-336 | N283292228 | 1 | EUR |
| 9 | Label 0-8732-251 Slope | N283292159 | 1 | EUR |
| 10 | Ball BEARING FL M12 | N324196022 | 1 | EUR |
| 11 | Screw M 6X20 | N309503548 | 2 | EUR |
| 12 | Washer 6.4 | N311210502 | 2 | EUR |
| 13 | Nut M 6 | N311129513 | 2 | EUR |
| 14 | Cover 273 125 020 050 | N273125006 | 2 | EUR |
| 15 | Clip WSBH 1-0-1 | N532150211 | 1 | EUR |
| 16 | Screw M 8X25 | N309503512 | 2 | EUR |
| 17 | Screw M 5X16 | N309203539 | 1 | EUR |
| 18 | Nut M 5 DIN 6926 Zinc | N311129524 | 1 | EUR |
| 19 | Blind flange BS 11/15 black | N321841082 | 1 | EUR |
| 20 | Steering wheel bushing 0-1652-226 | N321841069 | 1 | EUR |
| 21 | Screw M 6X25 DIN7991 10.9 Zinc | N309578503 | 2 | EUR |
| 22 | HOLDER | S532113415583 | 1 | EUR |
| 23 | Braid | S532096342193 | 2 | EUR |
| 24 | Holder | S532113404693 | 1 | EUR |
| 25 | Rubber sleeve 22X2 | N273121027 | 1 | EUR |
| 26 | Flexible spindle 0-9245-233 | N315238005 | 1 | EUR |
| 27 | Not used in this performance | NK00000000 | 4 | EUR |
| 28 | Not used in this performance | NK00000000 | 1 | EUR |
| 29 | Case 0-8642-236 | N532151194 | 1 | EUR |
| 30 | Switch PTO Delta 6201-321 | N345329022 | 1 | EUR |



| | | | | |
|----|----------------------------------|---------------|---|-----|
| 31 | Switch box Delta 6900-47 P | N443861007 | 1 | EUR |
| 32 | Starting key DELTA 688P-001 | N443900137 | 1 | EUR |
| 33 | Hour-meter SEN DEC DIGITAL | N443433003 | 1 | EUR |
| 34 | Column | S532016422283 | 1 | EUR |
| 35 | Screw M 8X16 | N309503517 | 4 | EUR |
| 36 | Buzzer PF 27 A 29 EP | N443312021 | 1 | EUR |
| 37 | Label 0-8732-943 Panel L | N283292796 | 1 | EUR |
| 38 | Label 0-8732-944 Panel P | N283292797 | 1 | EUR |
| 39 | Light indicator KS 004016 | N443312022 | 1 | EUR |
| 40 | BATTERY HOLDER | S532113425353 | 2 | EUR |
| 41 | Screw M8x45 | N309503559 | 1 | EUR |
| 42 | Nut M 8 | N311129501 | 5 | EUR |
| 43 | Nut M 8 DIN 6926 8 Zinc | N532150290 | 6 | EUR |
| 44 | Nut M 6 DIN 6926 | N311129525 | 5 | EUR |
| 45 | Screw M6X16 | N309503508 | 3 | EUR |
| 46 | Seating D7-201-802-010 | N532150903 | 6 | EUR |
| 47 | Pin D7-201-711-010 | N532150904 | 6 | EUR |
| 48 | Blind flange G 20X15 (europlast) | N321841093 | 2 | EUR |



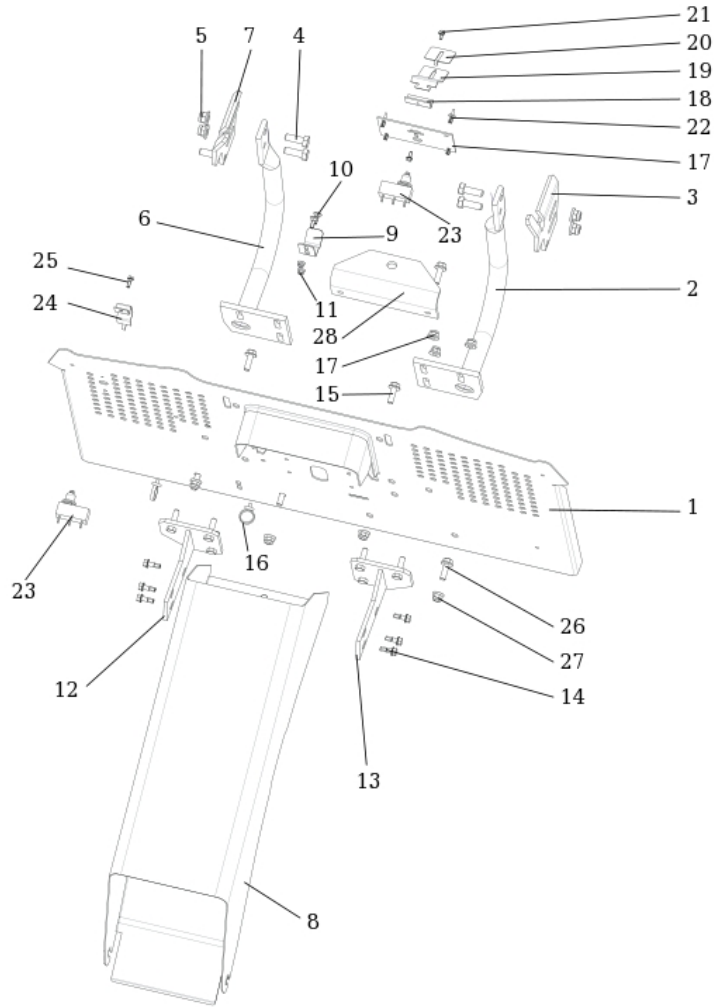
9-7496-283



Model: Challenge AJ 2.80-13.50
Group: KAJ16-12-0002 Grasscollector 300l Challenge

Season: 2012

| ID | Name | Code | Amount | Price |
|----|----------------------------|---------------|--------|-------|
| 1 | Frame upper | S532974472693 | 1 | EUR |
| 2 | Front pipe | S532074442233 | 1 | EUR |
| 3 | Strut | S532074262133 | 2 | EUR |
| 4 | Lower pipe | S532074442253 | 1 | EUR |
| 5 | Connecting tube | S532074262013 | 1 | EUR |
| 6 | Handle compl. | S532913463253 | 1 | EUR |
| 7 | Grass Bag 9-7432-202 | N532150135 | 1 | EUR |
| 8 | Reinforcement | S532015408483 | 1 | EUR |
| 9 | Lever Dumping | S532074202013 | 1 | EUR |
| 10 | Handle MOSS 10189 | N532151120 | 1 | EUR |
| 11 | Screw M 5X12 | N309203548 | 1 | EUR |
| 12 | Screw M 5X16 | N309203539 | 8 | EUR |
| 13 | Screw M 5X30 | N309203555 | 6 | EUR |
| 14 | Screw M 8X20 BN 1206 | N309578535 | 2 | EUR |
| 15 | Nut M 5 DIN 6926 Zinc | N311129524 | 15 | EUR |
| 16 | Washer 11 black | N311212040 | 2 | EUR |
| 17 | Nut M 10 DIN 6926 Zinc | N311129523 | 2 | EUR |
| 18 | Nut M 8 DIN 6926 8 Zinc | N532150290 | 2 | EUR |
| 19 | Screw ST 6.3X32 DIN 7504 K | N309315013 | 6 | EUR |
| 20 | Grass box-spring Snapper | S532097402233 | 1 | EUR |
| 21 | Cover 0-7447-275 Cadillac | N532151199 | 1 | EUR |



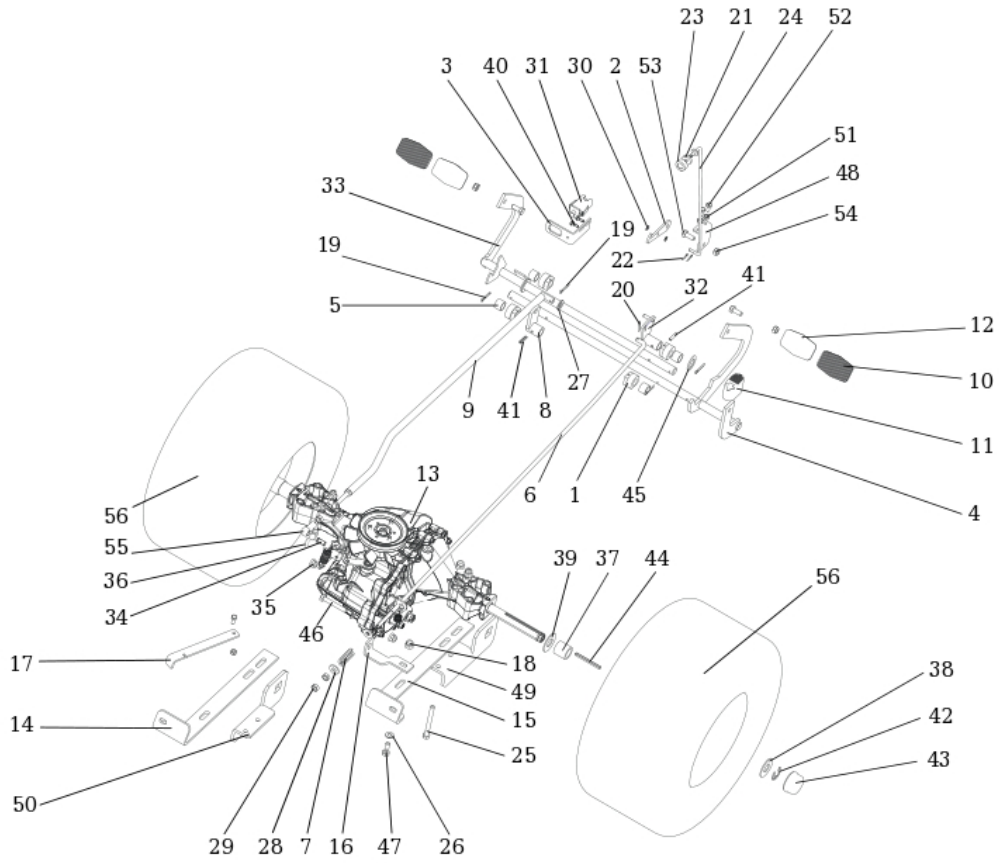
9-1996-527



Model: Challenge AJ 2.80-13.50
Group: KAJ17-12-0002 Tunnel Challenge

Season: 2012

| ID | Name | Code | Amount | Price |
|----|----------------------------------|---------------|--------|-------|
| 1 | Grass collector board compl. | S532974422323 | 1 | EUR |
| 2 | Left holder AJ92 | S532974432483 | 1 | EUR |
| 3 | LEFT HOLDER | S532913369663 | 1 | EUR |
| 4 | Screw M 10X30 | N309503510 | 6 | EUR |
| 5 | Nut M 10 DIN 6926 Zinc | N311129523 | 6 | EUR |
| 6 | Right holder AJ92 | S532974432463 | 1 | EUR |
| 7 | RIGHT HOLDER AJ92 | S532913369653 | 1 | EUR |
| 8 | Tunnel AJ92 | S532974472703 | 1 | EUR |
| 9 | Spring | S532097464993 | 1 | EUR |
| 10 | Screw M 5X16 Zinc | N309019514 | 2 | EUR |
| 11 | Nut M 5 DIN 6926 Zinc | N311129524 | 2 | EUR |
| 12 | Plate holder right | S532913405663 | 1 | EUR |
| 13 | Plate holder left | S532913405673 | 1 | EUR |
| 14 | Screw ST 6.3X25 DIN7504-K BN1880 | N309315017 | 6 | EUR |
| 15 | Screw M 8X25 KL 100 RIPP V Zinc | N309503005 | 2 | EUR |
| 16 | Clip WSBH 1-0-1 | N532150211 | 2 | EUR |
| 17 | Board | S532114307883 | 1 | EUR |
| 18 | Holder | S532113404683 | 1 | EUR |
| 19 | Board | S532014414733 | 1 | EUR |
| 20 | Board | S532014414743 | 1 | EUR |
| 21 | Screw ST 4,2X13 DIN7504-K BN1880 | N309315012 | 2 | EUR |
| 22 | Rivet slide-in D=10 PH=6 | N532150984 | 4 | EUR |
| 23 | Microswitch MKH 12 D 13-S1 | N345359004 | 2 | EUR |
| 24 | Switch cover | S532085415813 | 1 | EUR |
| 25 | Screw ST 4,2X13 DIN7504-K BN1880 | N309315012 | 1 | EUR |
| 26 | Screw M 8X25 DIN 6921 8.8 Zinc | N309578011 | 4 | EUR |
| 27 | Nut M 8 DIN 6926 8 Zinc | N532150290 | 10 | EUR |
| 28 | Tow hitch | S532113402453 | 1 | EUR |



9-8080-538



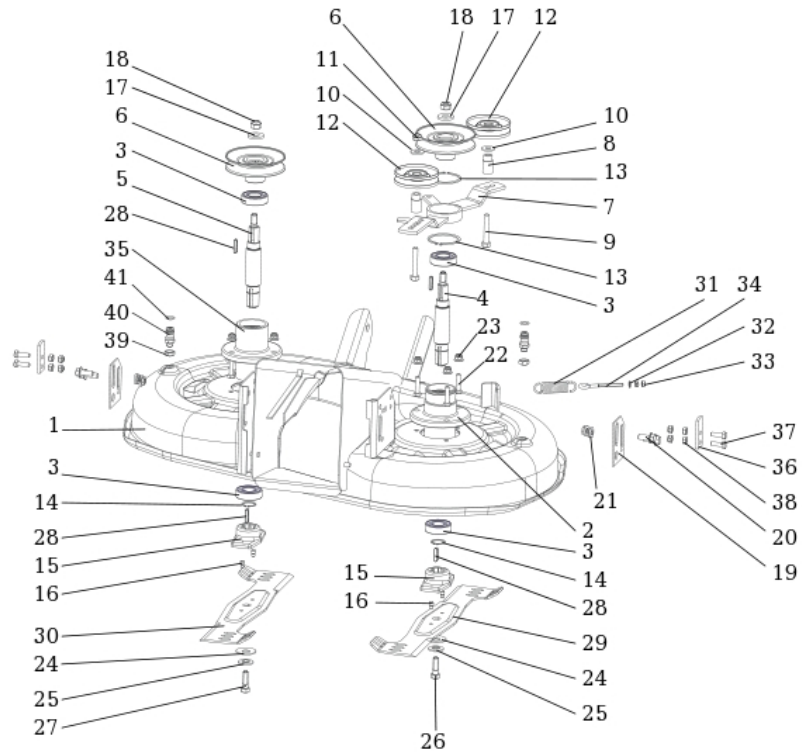
Model: Challenge AJ 2.80-13.50
Group: KAJ18-12-0001 Drive and brake control

Season: 2012

| ID | Name | Code | Amount | Price |
|----|-----------------------------------|---------------|--------|-------|
| 1 | Bushing 0-9462-202 | N722643023 | 4 | EUR |
| 1 | Latch | S532037322233 | 1 | EUR |
| 3 | Switch holder | S532113408253 | 1 | EUR |
| 4 | Travel lever | S532980442613 | 1 | EUR |
| 5 | Pedal spacer | S532095212883 | 4 | EUR |
| 6 | Brake control rod 0-8041-327 | N532151184 | 1 | EUR |
| 7 | Spring 0-9746-449 | N315231171 | 1 | EUR |
| 8 | Arm complete | S532980364823 | 1 | EUR |
| 9 | Driving control rod 9-8042-238 | N532151197 | 1 | EUR |
| 10 | Reverse pedal | S532980517423 | 2 | EUR |
| 11 | Pedal cover 0-8832-234 | N273151013 | 1 | EUR |
| 12 | Pedal coating 65 137 Favorit | N273151011 | 2 | EUR |
| 13 | Gearbox HYDRO GEAR T2 | N532991062 | 1 | EUR |
| 14 | LEFT HOLDER | S532113408273 | 1 | EUR |
| 15 | RIGHT HOLDER | S532113408263 | 1 | EUR |
| 16 | Gearbox holder | S532113425343 | 1 | EUR |
| 17 | BYPASS ROD | S532080403183 | 1 | EUR |
| 18 | Nut M 8 DIN 6926 8 Zinc | N532150290 | 6 | EUR |
| 19 | Spindle 3.2x25 | N311338517 | 4 | EUR |
| 20 | Spindle 3.2x20 | N311338516 | 1 | EUR |
| 21 | Washer 0-9620-392 T5 | N273192027 | 1 | EUR |
| 22 | Spindle 1.6x12 | N311338513 | 2 | EUR |
| 23 | Rotary button black Nylon KT SR | N532150993 | 1 | EUR |
| 24 | Parking brake control rod 9-8042- | N532151186 | 1 | EUR |
| 25 | Screw M 8X90 | N309501567 | 4 | EUR |
| 26 | Washer 8.4 | N311210503 | 6 | EUR |
| 27 | Washer 10.5 | N311210504 | 1 | EUR |
| 28 | Washer 9 Zinc | N311212517 | 2 | EUR |
| 29 | Nut M 8 | N311120520 | 2 | EUR |
| 30 | Washer 5.3 | N311210501 | 2 | EUR |



| | | | | |
|----|-----------------------------------|---------------|----|-----|
| 31 | Switch DELTA 6700-01B | N532150994 | 1 | EUR |
| 32 | Foot complete | S532980365393 | 1 | EUR |
| 33 | Brake pedal | S532980442583 | 1 | EUR |
| 34 | Spherical pin 13 DIN 71803 C Zinc | N442073017 | 1 | EUR |
| 35 | Nut M8 DIN 6923 8 Zinc. toothed | N311129520 | 1 | EUR |
| 36 | Safety U-strap 13 DIN 71805 S Zin | N442073018 | 1 | EUR |
| 37 | Spacer | S532195203773 | 2 | EUR |
| 38 | Washer | S532092208363 | 4 | EUR |
| 39 | Washer | S532092208153 | 10 | EUR |
| 40 | Screw ST 4,2X13 DIN7504-K BN1880 | N309315012 | 2 | EUR |
| 41 | Spring Pin 5X22 | N315238037 | 2 | EUR |
| 42 | Lock ring E-75 3/4 | N311732023 | 2 | EUR |
| 43 | Cover 0-8025-237 | N532150915 | 2 | EUR |
| 44 | Spring | S532092312163 | 2 | EUR |
| 45 | Washer 17 | N311210507 | 2 | EUR |
| 46 | Screw M5x35 | N309503556 | 1 | EUR |
| 47 | Screw M 8X25 | N309503512 | 1 | EUR |
| 48 | Ratchet holder | S532113408283 | 1 | EUR |
| 49 | Right lift holder | S532113408303 | 1 | EUR |
| 50 | Left lift holder | S532113408293 | 1 | EUR |
| 51 | Nut M 6 | N311129513 | 3 | EUR |
| 52 | Screw M6X16 | N309503508 | 3 | EUR |
| 53 | Screw M8X20 | N309503518 | 3 | EUR |
| 54 | Nut M 8 | N311129501 | 3 | EUR |
| 55 | Ball bushing 13 DIN71805B Zinc | N442073016 | 1 | EUR |
| 56 | Wheel rear 18x8.50-8 CHEVRON | N532940172 | 2 | EUR |





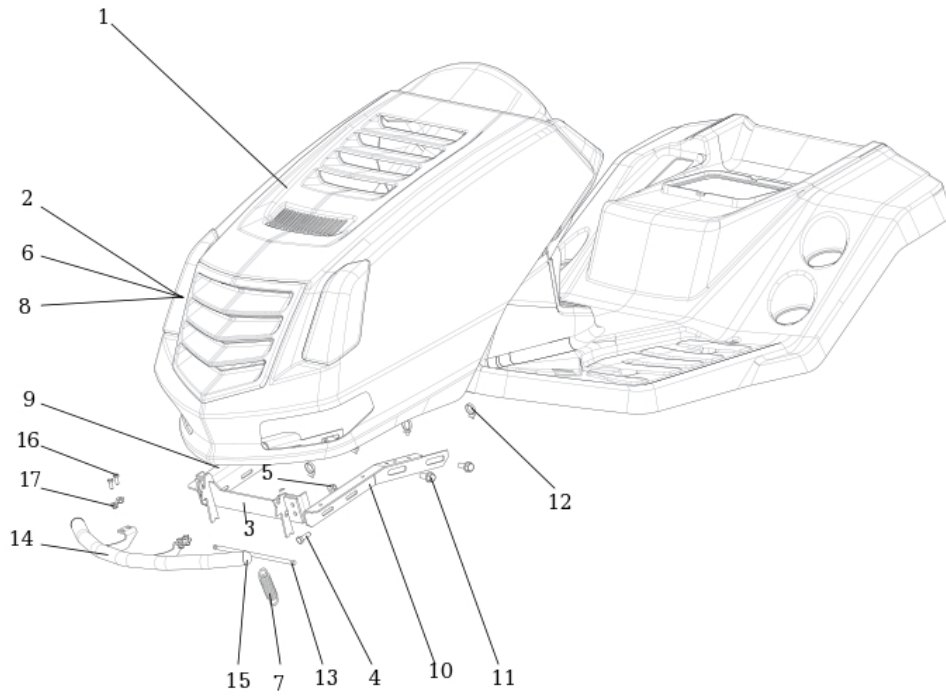
Model: Challenge AJ 2.80-13.50
Group: KAJ20-12-0002 Mowing unit no.1 Challenge

Season: 2012

| ID | Name | Code | Amount | Price |
|----|-----------------------------------|---------------|--------|-------|
| 1 | Mowing cover 92/2011 with Mulchin | S532950472293 | 1 | EUR |
| 2 | Flange | S532038523923 | 1 | EUR |
| 3 | Bearing 6205 2 RS C 66IB | N324162099 | 4 | EUR |
| 4 | SHAFT | S532038128403 | 1 | EUR |
| 5 | Shaft | S532038128413 | 1 | EUR |
| 6 | Pulley compl. 9-3325-293 | N532151209 | 2 | EUR |
| 7 | Tensioner pulley holder | S532913413303 | 1 | EUR |
| 8 | Bushing | S532094214173 | 2 | EUR |
| 9 | Screw M 10X60 | N309503519 | 2 | EUR |
| 10 | Washer 11 Zinc | N311212521 | 2 | EUR |
| 11 | Nut M 10 | N311129502 | 2 | EUR |
| 12 | Pulley Compensa C-00237/2 | N532150784 | 2 | EUR |
| 13 | Safety ring 60 | N311733032 | 2 | EUR |
| 14 | Lock ring 25 | N311733014 | 2 | EUR |
| 15 | Flange | S532098212403 | 2 | EUR |
| 16 | Shear pin | S532093117363 | 4 | EUR |
| 17 | Washer | S532092207273 | 2 | EUR |
| 18 | Nut M 12 | N311129505 | 2 | EUR |
| 19 | Foot | S532014417293 | 2 | EUR |
| 20 | Screw M10X25KL100 Ripp. V. DACROM | N309578529 | 4 | EUR |
| 21 | Nut M10 RIPP KL 10 BN 2798 | N311129522 | 4 | EUR |
| 22 | Screw M 8X35 | N309503543 | 6 | EUR |
| 23 | Nut M 8 DIN 6926 8 Zinc | N532150290 | 6 | EUR |
| 24 | Washer BN 806-40x16.3x2x3.1 | N311219503 | 2 | EUR |
| 25 | Washer | S532092207493 | 2 | EUR |
| 26 | Screw 0-9011-283 M10 Left | N309599008 | 1 | EUR |
| 27 | Screw 0-9011-287 M10 | N309599017 | 1 | EUR |
| 28 | Key 6E7X6X28 | N311726091 | 1 | EUR |
| 29 | Blade right (AJ92) | S532050422843 | 1 | EUR |
| 30 | Blade left (AJ92) | S532050422833 | 1 | EUR |



| | | | | |
|----|-----------------------------------|---------------|---|-----|
| 31 | Spring 0-9746-490 | N315231234 | 1 | EUR |
| 32 | Washer 6.4 | N311210502 | 1 | EUR |
| 33 | Nut M6 | N311150504 | 2 | EUR |
| 34 | Screw M 6x80 with eye BN1006 Zinc | N309578523 | 1 | EUR |
| 35 | Flange | S532038523933 | 1 | EUR |
| 36 | Foot | S532114327243 | 2 | EUR |
| 37 | Screw M 8X25 | N309503512 | 4 | EUR |
| 38 | Nut M 8 | N311129501 | 8 | EUR |
| 39 | Nut M 12 | N311120511 | 2 | EUR |
| 40 | Quick fastener 0-9026-246 | N532150533 | 1 | EUR |
| 41 | Ring 10.78X2.62 NBR 70-SH | N273111057 | 1 | EUR |



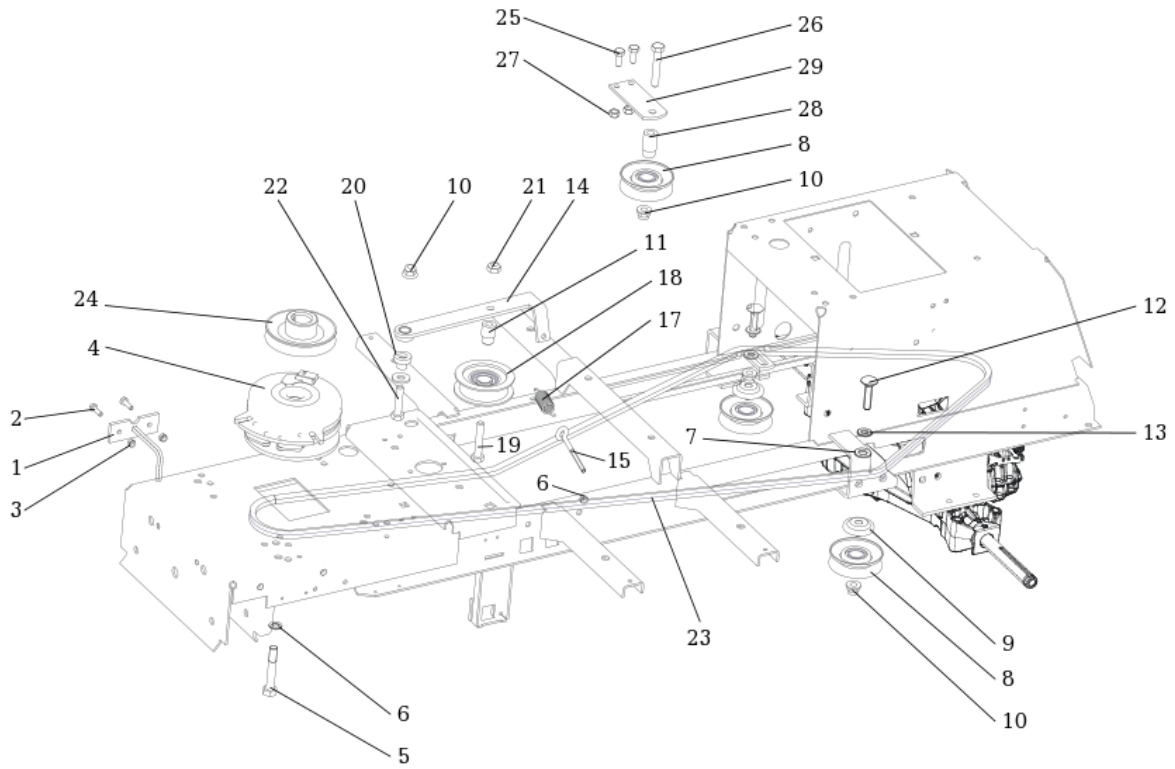
9-1996-524



Model: Challenge AJ 2.80-13.50
Group: KAJ21-12-0003 Engine Hood Challenge

Season: 2012

| ID | Name | Code | Amount | Price |
|----|-----------------------------------|---------------|--------|-------|
| 1 | Hood 9-1849-387 Cadillac EFCO | N532151205 | 1 | EUR |
| 2 | Halogen lightbulb MR 16 PR.50MM 1 | N347411002 | 2 | EUR |
| 3 | HOOD HOLDER | S532913405653 | 1 | EUR |
| 4 | Screw M 8X25 | N309503512 | 2 | EUR |
| 5 | Nut M 8 DIN 6926 8 Zinc | N532150290 | 2 | EUR |
| 6 | Light harness 9-8316-623 | N341271169 | 1 | EUR |
| 7 | Spring 0-9746-472 | N315231203 | 1 | EUR |
| 8 | Screw cap 9-8316-620 | N443953007 | 2 | EUR |
| 9 | Bracket right compl. | S532913368683 | 1 | EUR |
| 10 | Bracket left compl. | S532913368693 | 1 | EUR |
| 11 | Screw M10X25KL100 Ripp. V. DACROM | N309578529 | 4 | EUR |
| 12 | Clip WSBH 1-0-1 | N532150211 | 3 | EUR |
| 13 | Safety bar | S532013102143 | 1 | EUR |
| 14 | BUMPER - COMPLETE | S532918962783 | 1 | EUR |
| 15 | Convex cap 28X1,5-2 | N321841091 | 2 | EUR |
| 16 | Screw M6X16 | N309503508 | 4 | EUR |
| 17 | Nut M 6 DIN 6926 | N311129525 | 4 | EUR |

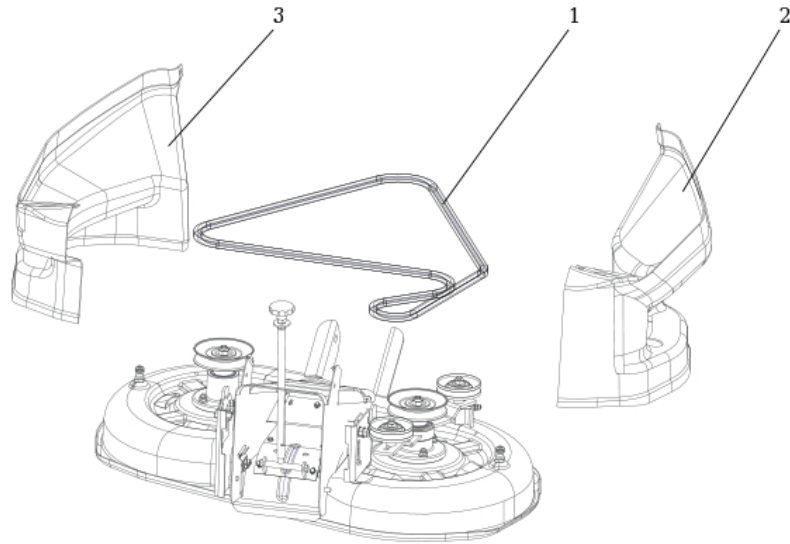




Model: Challenge AJ 2.80-13.50
Group: KAJ22-12-0004 Elmg. Clutch and pulleys Challeng

Season: 2012

| ID | Name | Code | Amount | Price |
|----|-----------------------------------|---------------|--------|-------|
| 1 | Clutch stopper | S532936362263 | 1 | EUR |
| 2 | Screw M 6X20 | N309503548 | 2 | EUR |
| 3 | Nut M 6 DIN 6926 | N311129525 | 2 | EUR |
| 4 | Elmag. clutch I-5217-38 | N532151196 | 1 | EUR |
| 5 | Screw UNF 7/16"X3" 10.9 ZINK | N309579511 | 1 | EUR |
| 6 | Washer NL 11 glued Dacromet | N311219516 | 1 | EUR |
| 7 | Washer 11 Zinc | N311212521 | 4 | EUR |
| 8 | Pulley Compensa C-00237/1 | N532150824 | 3 | EUR |
| 9 | Cover C-00693 Compensa | N532151119 | 2 | EUR |
| 10 | Nut M 10 DIN 6926 Zinc | N311129523 | 4 | EUR |
| 11 | Case | S532094215953 | 1 | EUR |
| 12 | Screw M10X45 021319 Zinc | N309019531 | 2 | EUR |
| 13 | Washer 13 | N311210505 | 2 | EUR |
| 14 | Tension travel holder | S532913323033 | 1 | EUR |
| 15 | Screw M 6x80 with eye BN1006 Zinc | N309578523 | 1 | EUR |
| 16 | Nut M 6 | N311129513 | 1 | EUR |
| 17 | Spring TZ 2x14x62 Zinc | N315231111 | 1 | EUR |
| 18 | Pulley plastic BBT B18 337 | N532150733 | 1 | EUR |
| 19 | Screw M 10X55 | N309203525 | 1 | EUR |
| 20 | Bushing | S532094214513 | 1 | EUR |
| 21 | Nut M 10 | N311129502 | 1 | EUR |
| 22 | Screw M 10x45 | N309203544 | 1 | EUR |
| 23 | V Belt 13x2580 Li BBT | N272731217 | 1 | EUR |
| 24 | Engine pulley 9-3325-289 | N532151118 | 1 | EUR |
| 25 | Screw M8X20 | N309503518 | 2 | EUR |
| 26 | Screw M 10X60 | N309503577 | 1 | EUR |
| 27 | Nut M 8 | N311129501 | 2 | EUR |
| 28 | Bushing | S532094214173 | 1 | EUR |
| 29 | Guide pulley holder | S532113309693 | 1 | EUR |

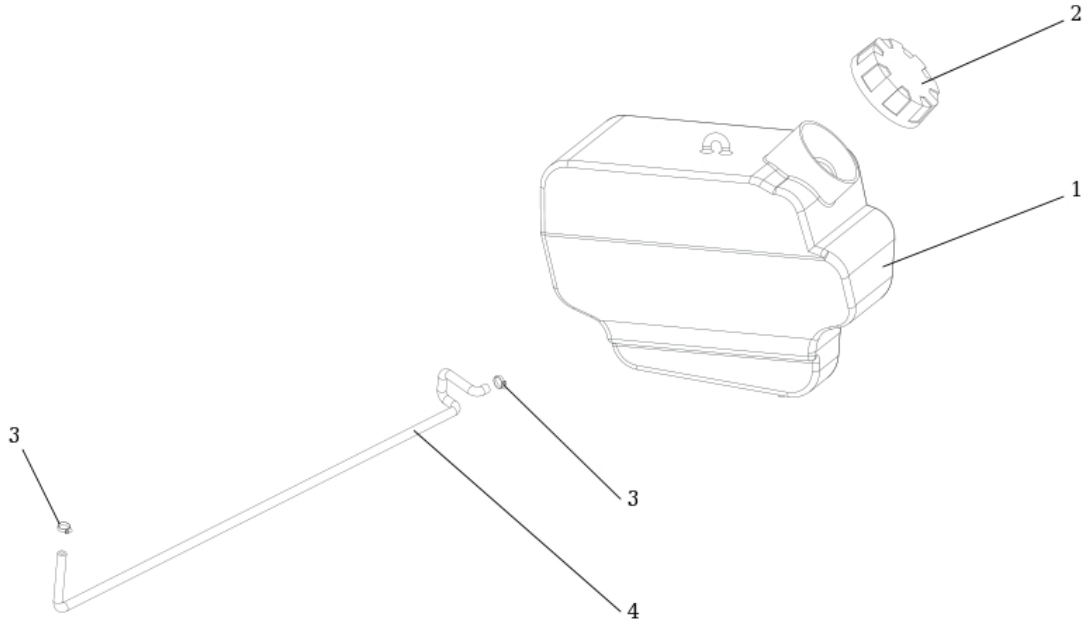




Model: Challenge AJ 2.80-13.50
Group: KAJ23-12-0002 Mowing unit n.2 - Challenge

Season: 2012

| ID | Name | Code | Amount | Price |
|----|----------------------------|------------|--------|-------|
| 1 | V-belt AA 85 POWER TYP 313 | N272731234 | 1 | EUR |
| 2 | Belt cover 0-8547-809 R | N532151208 | 1 | EUR |
| 3 | Belt cover 0-8547-808 L | N532151207 | 1 | EUR |



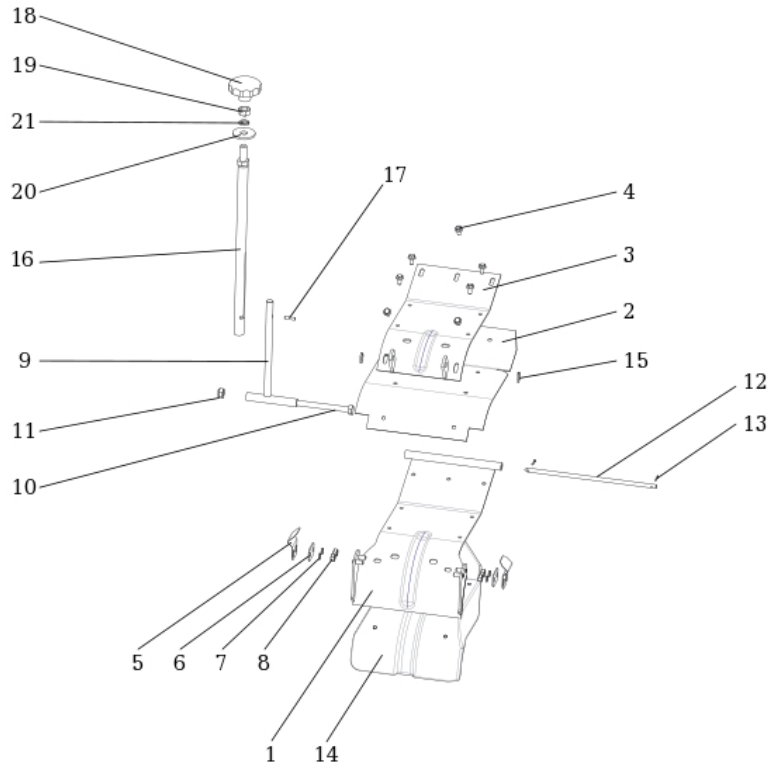
9-2770-205



Model: Challenge AJ 2.80-13.50
Group: KAJ25-12-0001 Fuel Tank - Challenge

Season: 2012

| ID | Name | Code | Amount | Price |
|----|----------------------------|---------------|--------|-------|
| 1 | Fuel tank 0-2766-220 clear | N232130021 | 1 | EUR |
| 2 | Cap 9-2725-201 | N321841017 | 1 | EUR |
| 3 | Clip UM 5008 | N000532058 | 2 | EUR |
| 4 | Fuel hose | S532199202263 | 1 | EUR |





Model: Challenge AJ 2.80-13.50
Group: KAJ24-12-0001 Mowing unit no.3 mulch flap

Season: 2012

| ID | Name | Code | Amount | Price |
|----|-------------------------------|---------------|--------|-------|
| 1 | Flap | S532980422403 | 1 | EUR |
| 2 | Rubber shield 0-9632-317 T1 | N273192049 | 1 | EUR |
| 3 | HOLDER | S532913323053 | 1 | EUR |
| 4 | Screw M 5X10 KL 100 RIPP ZINK | N309578536 | 7 | EUR |
| 5 | Spring | S532097422313 | 2 | EUR |
| 6 | WASHER | S532092304223 | 2 | EUR |
| 7 | Washer 6 | N311214501 | 4 | EUR |
| 8 | Nut M6 | N311150504 | 1 | EUR |
| 9 | Holder complete | S532980322183 | 1 | EUR |
| 10 | Screw M8x100 | N309201522 | 1 | EUR |
| 11 | Nut M 8 | N311129501 | 2 | EUR |
| 12 | Shaft | S532038102933 | 1 | EUR |
| 13 | Spindle 1.6x12 | N311338513 | 2 | EUR |
| 14 | Mulching flap 9-8547-803 | N532151219 | 1 | EUR |
| 15 | Label 0-8732-843 | N283292701 | 1 | EUR |
| 16 | Holder | S532913212073 | 1 | EUR |
| 17 | Spring pin 4X16 | N315238053 | 1 | EUR |
| 18 | Control star VJW PR.50 M10 | N532150673 | 1 | EUR |
| 19 | Nut M 10 | N311150506 | 1 | EUR |
| 20 | Washer 11 | N311212507 | 1 | EUR |
| 21 | Washer 10 | N311214503 | 1 | EUR |