

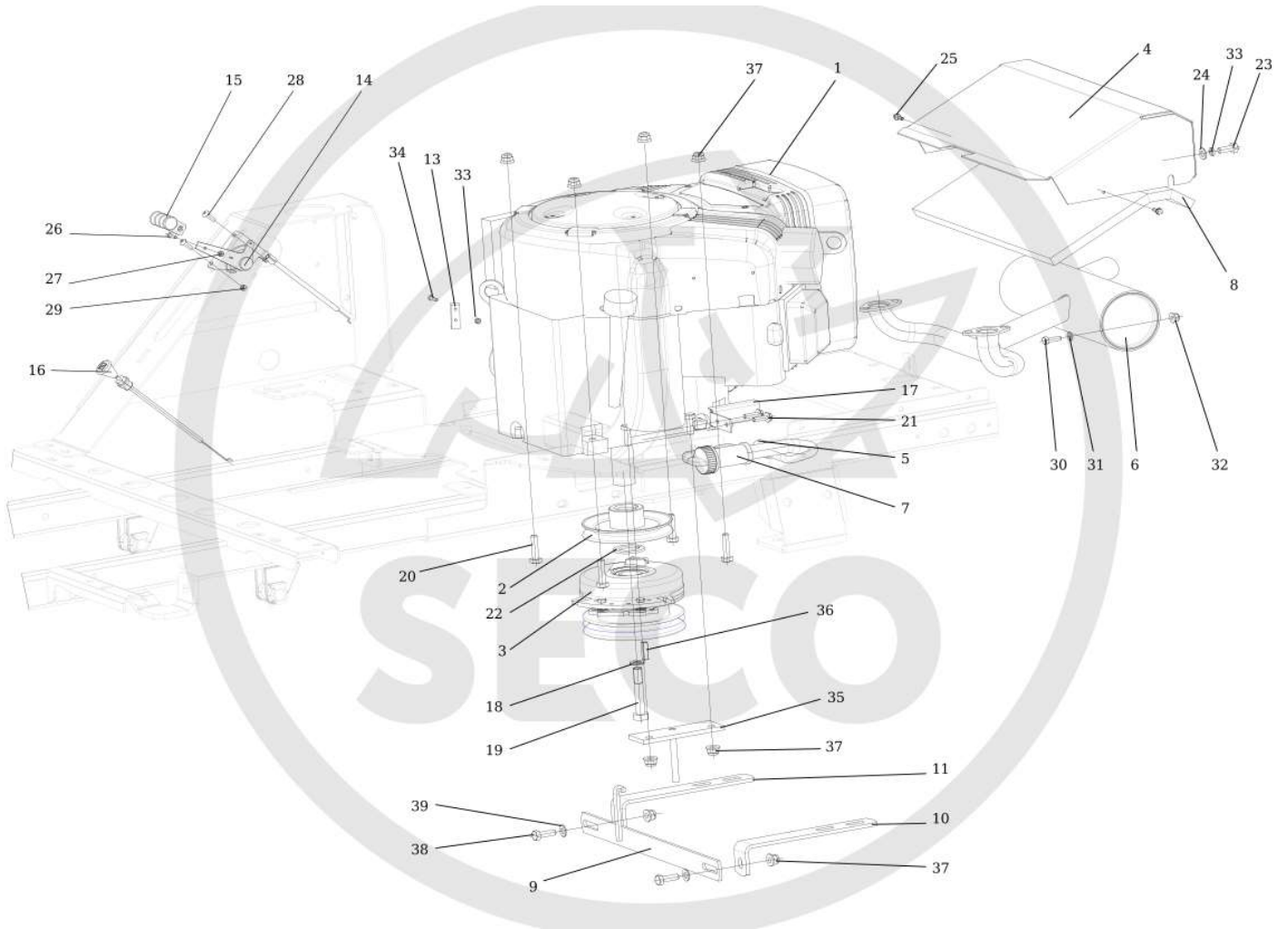
SECO
INDUSTRIES

Model:
KGC2A-14-0002



Model: KGC2A-14-0002
Group: KGC01-13-0001

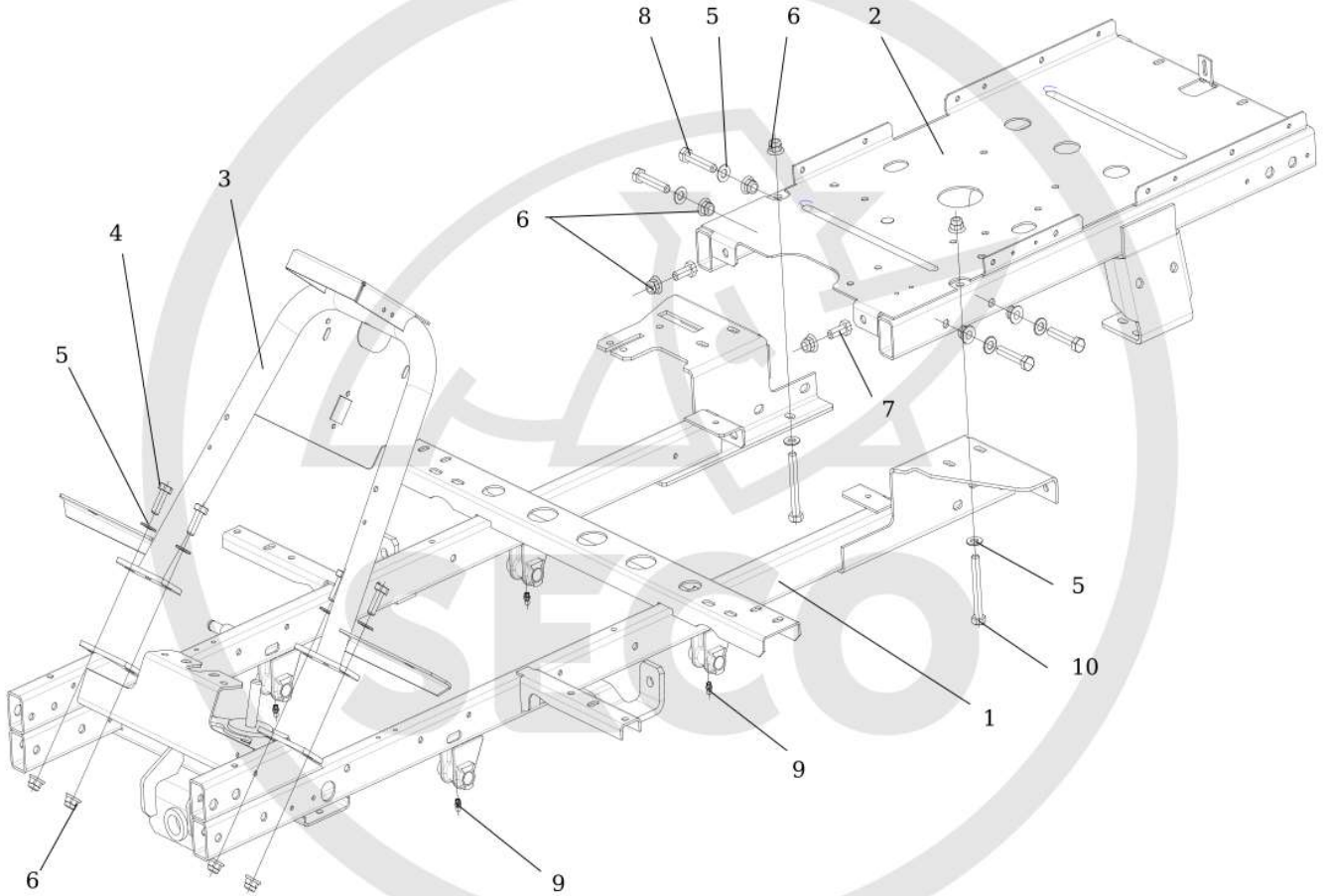
Goliath engine 23HP vanguard EPA3



ID	Name	Item code	No.	UOM	Price
1	Engine 23HP Vanguard V-twin EPA3	N482349027	1	KS	EUR /
2	Engine pulley 9-3325-290 "A"118	N532151100	1	KS	EUR /
3	Clutch elmag. Warner 5217	N339242009	1	KS	EUR /
4	Muffler cover	S532085415953	1	KS	EUR /
5	Reducer to engine	N532151254	1	KS	EUR /
6	Exhaust	S532927472483	1	KS	EUR /
7	Hose with cap	N532151253	1	KS	EUR /
8	Heat isolation 0-8530-624	N273222001	1	KS	EUR /
9	Limiter compl.	S532913369693	1	KS	EUR /
10	Washer	S532092402593	1	KS	EUR /
11	Washer compl.	S532992462033	1	KS	EUR /
12	Not used in this performance	NK00000000	1	KS	EUR /
13	Cable-backstop extension	S532014312363	1	KS	EUR /
14	Throttle lever 9-8071-281 GC	N443900144	1	KS	EUR /
15	Throttle lever 0-8060-239	N443900138	1	KS	EUR /
16	Choke 9-8074-327 GC	N443612016	1	KS	EUR /
17	Discharge hose-holder	S532113408533	1	KS	EUR /
18	Washer NL 11 glued Dacromet	N311219516	1	KS	EUR /
19	Screw 7/16-20x3.5 (NA1960649)	N309579512	1	KS	EUR /
20	Screw M 8X35	N309503543	4	KS	EUR /
21	SCREW M 6X16 DIN 7500D BN 3326	N309578517	2	KS	EUR /
22	Distance ring	S532092208583	1	KS	EUR /
23	screw M8x12	N309203521	1	KS	EUR /
24	Washer 8	N311214502	1	KS	EUR /
25	Screw ST 4,2X13 DIN7504-K BN1880	N309315012	2	KS	EUR /
26	Screw M 4X14 021131.25	N309231535	1	KS	EUR /
27	Nut M4	N311129514	1	KS	EUR /
28	Screw M 5x16 ISO 7380 8.8	N309578532	2	KS	EUR /
29	Nut M 5 DIN 6926 Zinc	N311129524	2	KS	EUR /
30	Screw M 6X25	N309503551	1	KS	EUR /
31	Washer 6.4	N311210502	1	KS	EUR /
32	Nut M 6 DIN 6926	N311129525	1	KS	EUR /
33	Washer 5	N311214507	1	KS	EUR /
34	Screw M 5X16	N309203539	1	KS	EUR /
35	Clutch stopper GC	S532913369683	1	KS	EUR /
36	Key 0-9231-213	N311726101	1	KS	EUR /
37	Nut M 8 DIN 6926 8 Zinc	N532150290	6	KS	EUR /
38	Screw M 8X25	N309503512	4	KS	EUR /
39	Washer 8.4	N311210503	3	KS	EUR /

Model: KGC2A-14-0002
Group: KGC02-13-0001

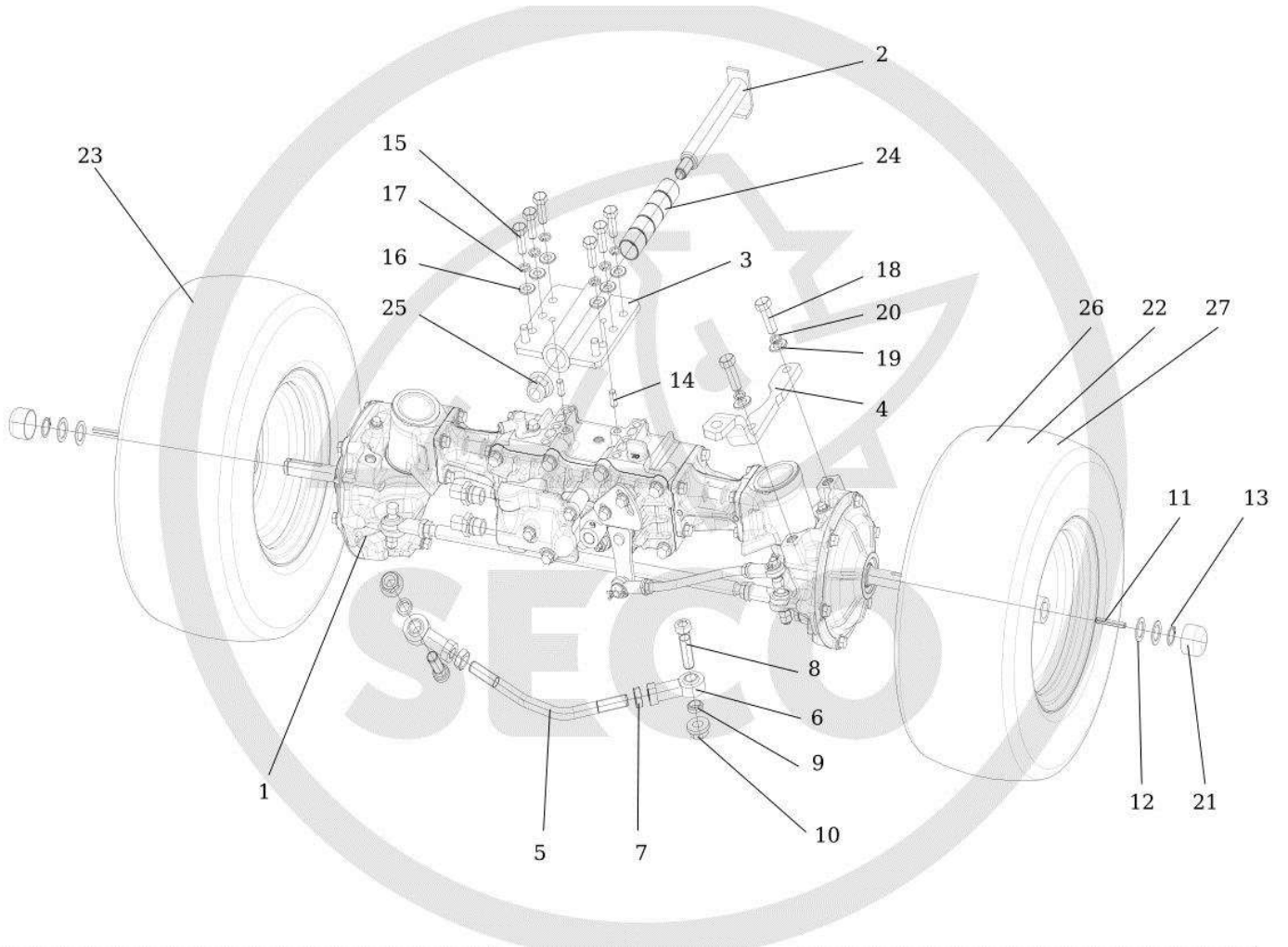
Goliath chassis



ID	Name	Item code	No.	UOM	Price
1	Chassis devided GC	S532912472313	1	KS	EUR /
2	Engine chamber GC	S532927962113	1	KS	EUR /
3	Steering wheel-brace	S532915462343	1	KS	EUR /
4	Screw M 10X30	N309503510	4	KS	EUR /
5	Washer 10.5	N311210504	10	KS	EUR /
6	Nut M 10 DIN 6926 Zinc	N311129523	12	KS	EUR /
7	Screw M 10X25	N309503502	2	KS	EUR /
8	Screw M 10x55	N309501519	4	KS	EUR /
9	Lubricating head MK 6x1	N425111004	1	KS	EUR /
10	Screw M 10X80	N309503558	2	KS	EUR /

Model: KGC2A-14-0002
Group: KGC03-13-0001

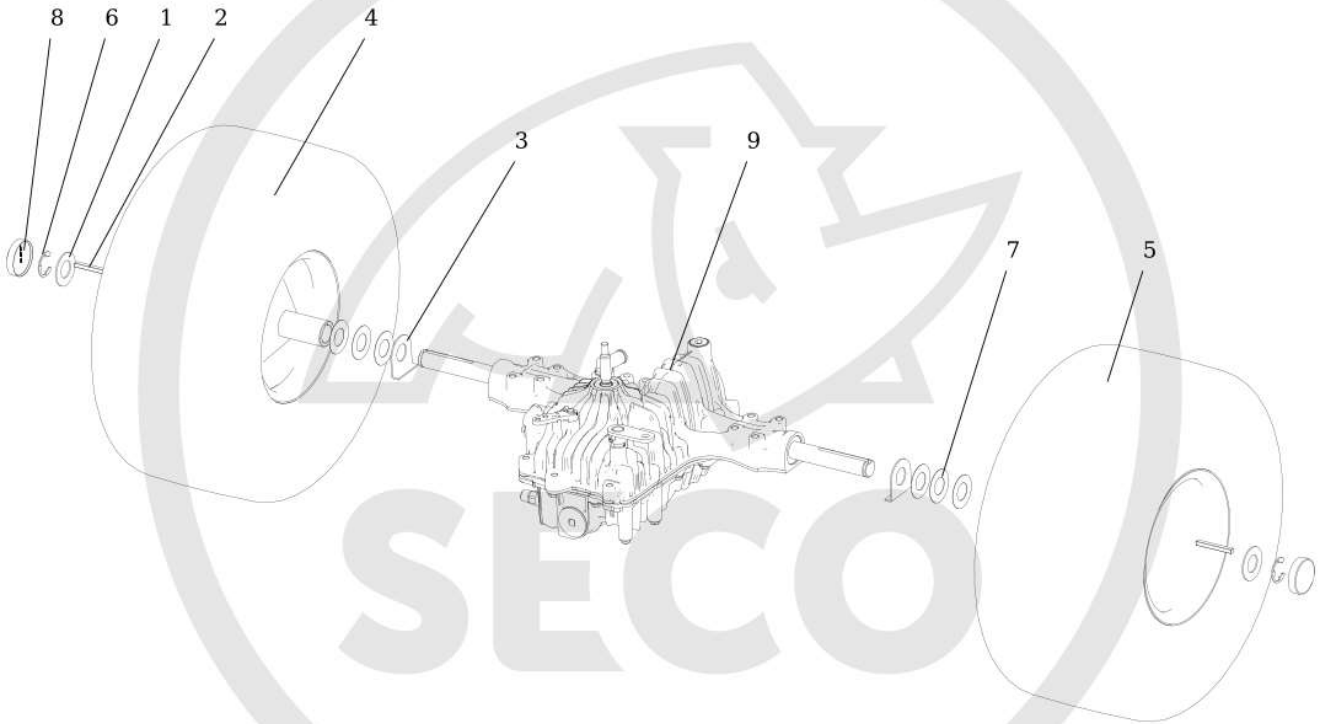
Goliath front axle



ID	Name	Item code	No.	UOM	Price
1	Axle front KXH 10N	N532991057	1	KS	EUR /
2	Pin complete	S532993122783	1	KS	EUR /
3	Axle holder complete	S532916262253	1	KS	EUR /
4	Steering lever	S532080422693	1	KS	EUR /
5	Control bar GC	S532080102883	1	KS	EUR /
6	Joint head PHS 14 REX	N442073031	2	KS	EUR /
7	Nut M 14	N311120542	2	KS	EUR /
8	Screw	S532190161013	2	KS	EUR /
9	Spacer	S532095209013	2	KS	EUR /
10	Nut M 14 RIPP DIN 6923	N311129529	2	KS	EUR /
11	Spring	S532092312233	2	KS	EUR /
12	Washer	S532092207583	4	KS	EUR /
13	Lock ring E-75 3/4	N311732023	2	KS	EUR /
14	Pin 8X20 A	N311515079	2	KS	EUR /
15	Screw M10x30 DIN 933-10.9	N309503571	6	KS	EUR /
16	Washer 10.5	N311210504	6	KS	EUR /
17	Washer 10	N311214503	6	KS	EUR /
18	Screw M12x35 DIN 933-10.9	N309503572	2	KS	EUR /
19	Washer 13	N311210505	2	KS	EUR /
20	Washer 12	N311214504	2	KS	EUR /
21	Cover 32X25 Vinyl-Flex	N532150753	2	KS	EUR /
21	Wheel front L 16x6.50-8 TRAC MAST	N532940177	1	KS	EUR /
23	Wheel front R 16x6.50-8 TRAC MAST	N532940178	1	KS	EUR /
24	Bearing bushing WSM-2528-25W300	N323721015	5	KS	EUR /
25	Nut M 16 DIN 6926	N311129527	1	KS	EUR /
26	Tyre 16X6.50-8 CROSS 4X4	N274161016	2	KS	EUR /
27	Wheel disk 5.50x8 front Cross 4x4	N325111015	2	KS	EUR /

Model: KGC2A-14-0002
Group: KGC04-13-0001

Goliath rear axle

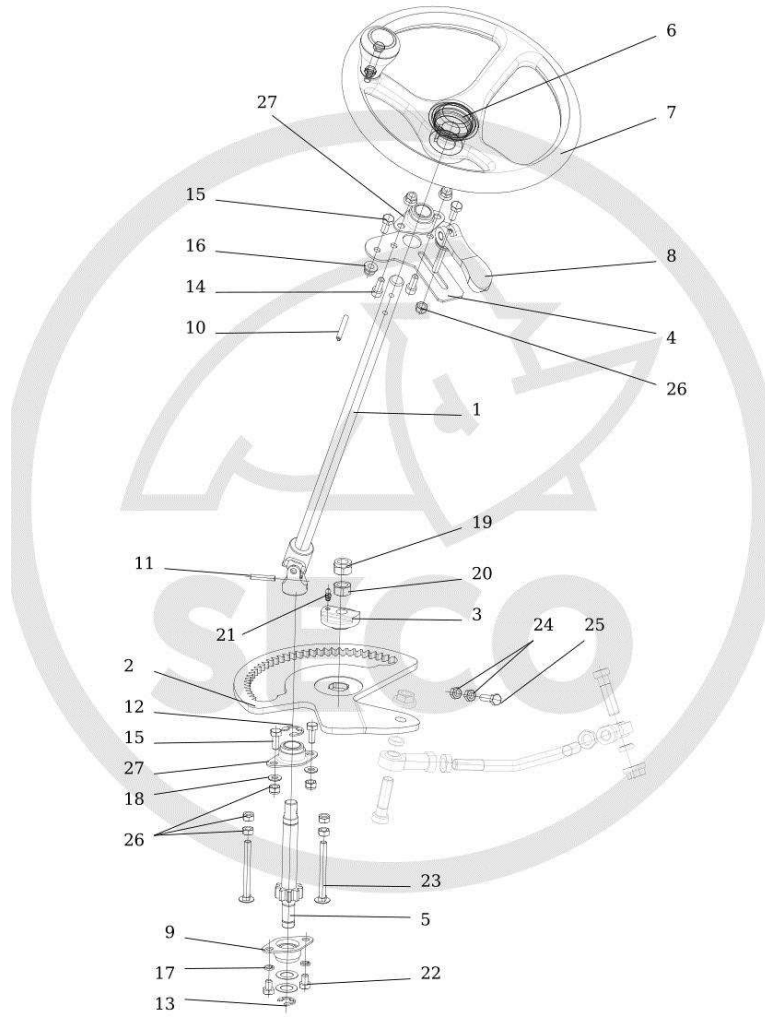


ID	Name	Item code	No.	UOM	Price
1	washer	S532092208053	2	KS	EUR /
2	Spring	S532092312243	1	KS	EUR /
3	Washer	S532092208553	2	KS	EUR /
4	Wheel rear L 20x10.00-8 TRAC MAST	N532940175	1	KS	EUR /
5	Wheel rear R 20x10.00-8 TRAC MAST	N532940176	1	KS	EUR /
6	Lock ring SE-98 1	N311732024	2	KS	EUR /
7	Washer	S532092208083	8	KS	EUR /
8	Black cover GPN 690/3004	N532151024	2	KS	EUR /
9	Transmission K664 E Tuff Torq	N532991058	1	KS	EUR /
10	Wheel disc rear 7.00IX8H2 OTR 202	N325111028	2	KS	EUR /
11	Tyre 20X10.00-8 CROSS 4X4	N274161015	2	KS	EUR /

Model: KGC2A-14-0002

Group: KGC05-13-0001

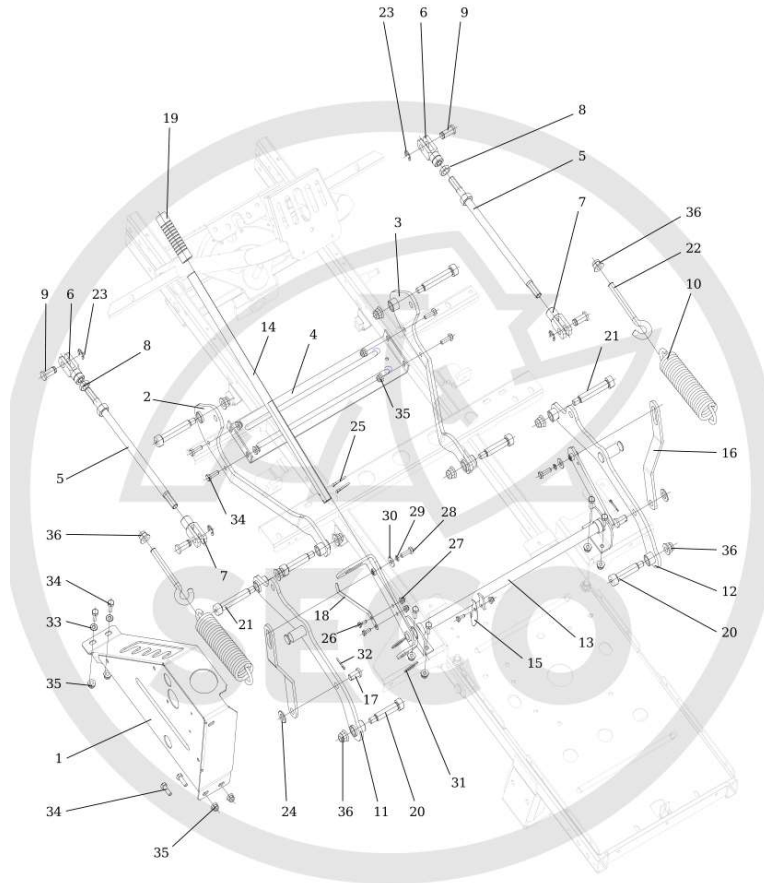
Goliath steering



ID	Name	Item code	No.	UOM	Price
1	Steering wheel-shaft compl.	S532930702173	1	KS	EUR /
2	Cogged segment	S532033322443	1	KS	EUR /
3	Eccentric	S532080272053	1	KS	EUR /
4	Steering wheel guidance	S532013425953	1	KS	EUR /
5	Pinion complete	S532930252203	1	KS	EUR /
6	Cover COBO 0047	N532151106	1	KS	EUR /
7	Steering wheel Cobo PP031	N443821008	1	KS	EUR /
8	Excentric lever 0432-201108X50	N532151102	1	KS	EUR /
9	Ball bearing FJW 10	N324196023	1	KS	EUR /
10	Spring pin 6x45	N315238031	1	KS	EUR /
11	Spring pin 6x32	N315238011	1	KS	EUR /
12	Lock ring 15	N311732008	1	KS	EUR /
13	Lock ring 12	N311732009	1	KS	EUR /
14	Screw M 8X20	N309543506	2	KS	EUR /
15	Screw M8X20	N309503518	4	KS	EUR /
16	Nut M 8 DIN 6926 8 Zinc	N532150290	2	KS	EUR /
17	Washer 8	N311214502	2	KS	EUR /
18	Washer 16x28x0.5 DIN 988	N311219525	3	KS	EUR /
19	Nut M 14	N311129528	1	KS	EUR /
20	Nut M14	N311150513	1	KS	EUR /
21	Lubricating head MK 6x1	N425111004	1	KS	EUR /
22	screw M8x12	N309203521	2	KS	EUR /
23	Screw M 8x80 DIN 603	N309019534	2	KS	EUR /
24	Nut M 8	N311150503	4	KS	EUR /
25	Screw M 8X30	N309503515	1	KS	EUR /
26	Nut M 8	N311129501	7	KS	EUR /
27	Spherical bearing FLW 12	N000324001	2	KS	EUR /

Model: KGC2A-14-0002
Group: KGC06-13-0001

Goliath mowing lifting



ID	Name	Item code	No.	UOM	Price
1	Mowing lifting gate compl.	S532913463943	1	KS	EUR /
2	Arm front compl. left	S532980508263	1	KS	EUR /
3	Arm front compl. right	S532980508253	1	KS	EUR /
4	Front arms reinforcement	S532080508233	1	KS	EUR /
5	Coupling	S532980422423	1	KS	EUR /
6	Fork left	S532080602423	1	KS	EUR /
7	Fork right	S532080602433	1	KS	EUR /
8	Nut M 14x1.5 L DIN 439	N311120541	1	KS	EUR /
9	Coupling pin	S532193107703	4	KS	EUR /
10	Spring TZ 27/1/1 1.1200	N315231268	2	KS	EUR /
11	Arm rear left	S532980508273	1	KS	EUR /
12	Arm rear right	S532980508283	1	KS	EUR /
13	Mowing lifting	S532980702183	1	KS	EUR /
14	Mowing-lifting lever	S532080112473	1	KS	EUR /
15	Mowing switch spring	S532097402243	1	KS	EUR /
16	Mowing arm	S532080312303	2	KS	EUR /
17	Cutting carrier-pin	S532193117713	2	KS	EUR /
18	Lifting-lever spring	S532097402253	1	KS	EUR /
19	Handle SUNAP 319A-035-20	N532151267	1	KS	EUR /
20	Screw 16/M12-60 BN 1359	N309578539	4	KS	EUR /
21	Screw pr.16/M12-80 BN1359	N309578491	4	KS	EUR /
22	Hook M 12x100 Zn	N309510004	2	KS	EUR /
23	Lock ring 12	N311732009	4	KS	EUR /
24	Washer 21	N311210508	2	KS	EUR /
25	Split pin 4X40	N311338503	2	KS	EUR /
26	Screw M 6X20	N309503548	3	KS	EUR /
27	Nut M 6 DIN 6926	N311129525	3	KS	EUR /
28	Screw M 8X25	N309503512	2	KS	EUR /
29	Washer 8	N311214502	2	KS	EUR /
30	Washer 9 Zinc	N311212517	2	KS	EUR /
31	Washer 15	N311210511	2	KS	EUR /
32	Spindle 3.2x25	N311338517	2	KS	EUR /
33	Washer 8.4	N311210503	2	KS	EUR /
34	Screw M 8X25	N309503512	16	KS	EUR /
35	Nut M 8 DIN 6926 8 Zinc	N532150290	12	KS	EUR /
36	Nut M 12 DIN 6926	N311129526	10	KS	EUR /

ID	Name	Item code	No.	UOM	Price
1	Cover complete 110 GC	S532950472323	1	KS	EUR /
2	Flange	S532038523903	3	KS	EUR /
6	Bearing 6205 2 RS C 66IB	N324162099	6	KS	EUR /
4	Case	S532094207933	1	KS	EUR /
5	Pulley complete 9-3371-318	N532151200	3	KS	EUR /
6	Pulley compl. 9-3325-242	N532150273	1	KS	EUR /
7	Washer	S532092207273	3	KS	EUR /
8	SHAFT	S532038128353	1	KS	EUR /
9	Flange	S532098212463	3	KS	EUR /
10	Lock ring 25	N311733014	3	KS	EUR /
11	Flange cover	S532938522443	3	KS	EUR /
12	Screw M 8X35	N309503543	9	KS	EUR /
13	Nut M 8 DIN 6926 8 Zinc	N532150290	28	KS	EUR /
14	Nut M 12	N311129505	3	KS	EUR /
15	Screw 0-9011-287 M10	N309599017	2	KS	EUR /
16	Washer 11 Zinc	N311212521	3	KS	EUR /
17	WASHER 10 RIPP LOCK	N311219523	3	KS	EUR /
18	Screw M 8X30	N309503515	10	KS	EUR /
19	Blade right (110)	S532050422793	2	KS	EUR /
20	Blade right (110)	S532050422783	2	KS	EUR /
21	Blade left (110)	S532050422803	1	KS	EUR /
22	Blade left (110)	S532050422813	1	KS	EUR /
23	Cutting wheel Etop 100-8,2	N532940128	2	KS	EUR /
24	Screw M 8X90	N309501567	2	KS	EUR /
25	Deck holder rear	S532914302463	2	KS	EUR /
26	Nut M10 RIPP KL 10 BN 2798	N311129522	4	KS	EUR /
27	Screw M10X25KL100 Ripp. V. DACROM	N309578529	4	KS	EUR /
28	Shield 0-8530-621 rubber T4	N273192044	1	KS	EUR /
29	Belt	S532085306223	1	KS	EUR /
30	Screw M8X20	N309503518	9	KS	EUR /
31	Spring 0-9746-490	N315231234	1	KS	EUR /
32	Screw 0-9016-454	N309599025	1	KS	EUR /
33	Lock ring 12	N311732009	1	KS	EUR /
34	Washer 6.4	N311210502	6	KS	EUR /
35	Flange cover	S532938522453	3	KS	EUR /
36	Holder	S532913413313	1	KS	EUR /
37	Shaft	S532038128433	1	KS	EUR /
38	Pulley	S532033232413	1	KS	EUR /
39	Spacer	S532195203803	1	KS	EUR /
40	Bearing 6202 VV C3 (NSK)	N324162097	2	KS	EUR /
41	Lock ring 35	N311733075	2	KS	EUR /
42	Bushing 1625 KU	N323721006	2	KS	EUR /
43	Nut M 10 DIN 6926 Zinc	N311129523	2	KS	EUR /

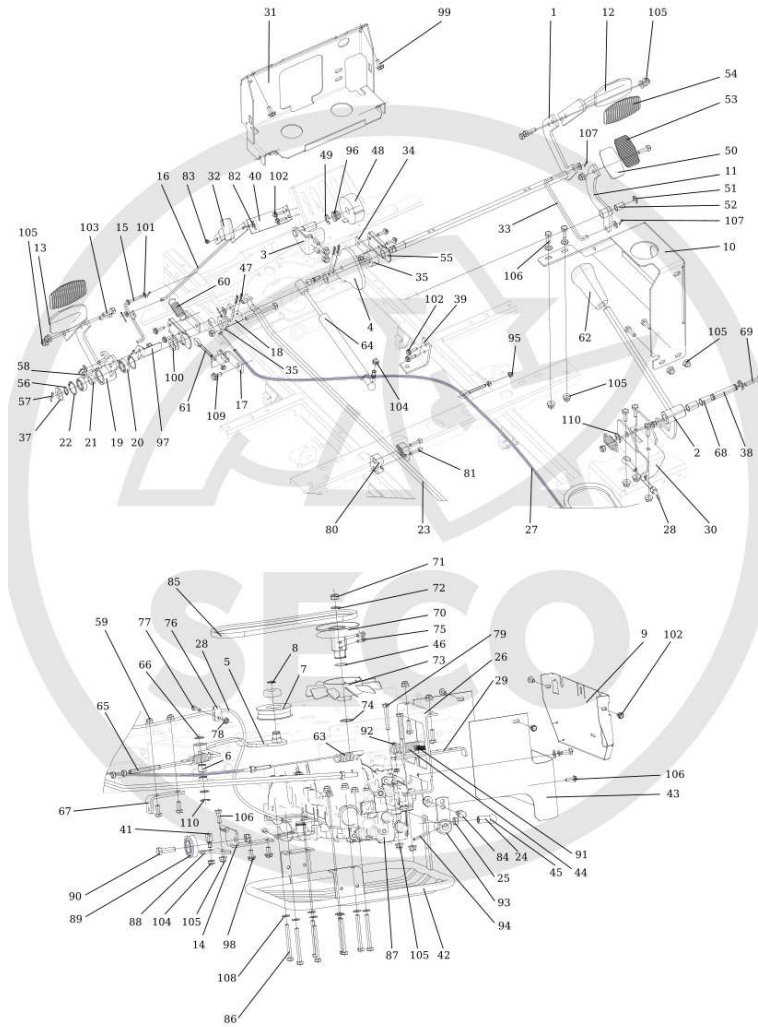
45	SCREW M 6X16 DIN 7500D BN 3326	N309578517	4	KS	EUR /
46	Nut M 8	N311129501	2	KS	EUR /
47	Tension-pulley holder	S532913323063	1	KS	EUR /
48	Pin	S532093212633	1	KS	EUR /
49	Pulley Compensa C-00237/2	N532150784	1	KS	EUR /
50	Screw M 8X40	N309503544	1	KS	EUR /
51	Nut M 8	N311129501	1	KS	EUR /
52	WASHER 9	N311212043	2	KS	EUR /
53	Bushing	S532094214513	1	KS	EUR /
54	Screw M 10x45	N309203544	1	KS	EUR /
55	Nut M 10 DIN 6926 Zinc	N311129523	1	KS	EUR /
56	Spring 0-9746-460	N315231193	1	KS	EUR /
57	Screw M 6x50 with eye BN1006 Zinc	N309578514	1	KS	EUR /
58	Nut M 8	N311150503	4	KS	EUR /
59	Bushing	S532094214173	1	KS	EUR /
60	Pulley Compensa C-00237/2	N532150784	2	KS	EUR /
61	Screw M 10X60	N309503519	1	KS	EUR /
62	Nut M 10	N311129502	2	KS	EUR /
63	Quick fastener 0-9026-246	N532150533	1	KS	EUR /
64	Ring 10.78X2.62 NBR 70-SH	N273111057	1	KS	EUR /
65	Nut M 12	N311120511	2	KS	EUR /
66	HOLDER	S532113415403	2	KS	EUR /
67	HOLDER	S532113415393	1	KS	EUR /
68	HOLDER	S532113415443	2	KS	EUR /
69	Chain A6/4 . 9-8558-200	N318112030	43	KS	EUR /
70	V-belt AA 126 Multiflex Twin	N272731229	1	KS	EUR /
71	SHAFT	S532038128373	1	KS	EUR /
72	SHAFT	S532038128363	1	KS	EUR /
73	Cutting deck 0-8547-811 GC	N532151316	1	KS	EUR /
74	Seating D7-201-802-010	N532150903	5	KS	EUR /
75	Pin D7-201-711-010	N532150904	5	KS	EUR /
76	Spring 8E7X7X22	N311726092	2	KS	EUR /
77	Screw 0-9011-283 M10 Left	N309599008	1	KS	EUR /
78	Spring 8E7X7X56	N311726093	2	KS	EUR /
79	Key 6E7X6X28	N311726091	3	KS	EUR /
80	Screw M 6X30	N309503573	6	KS	EUR /
81	Nut M 6	N311129513	10	KS	EUR /
82	Washer 6.6 Zinc	N311212516	4	KS	EUR /
83	Bushing	S532094214413	1	KS	EUR /
84	Stretcher	S532914412353	1	KS	EUR /
85	Protective frame left 110 GC	S532913452133	1	KS	EUR /
86	Washer 8.4	N311210503	4	KS	EUR /
87	Protective frame right 110 GC	S532913452143	1	KS	EUR /
88	Cutting deck left	S532085406503	1	KS	EUR /
89	Cutting deck right	S532085406513	1	KS	EUR /

90	Cutting deck left	S532085406483	1	KS	EUR /
91	Cutting deck right	S532085406493	1	KS	EUR /
92	Screw M 6X14	N309203540	4	KS	EUR /
93	Nut M6	N311150504	2	KS	EUR /
94	Screw M 10x50	N309503526	1	KS	EUR /
95	Screw M 10X60 ZINK.	N309019526	1	KS	EUR /
96	V-belt 17x1631 LP Optibelt	N272731250	1	KS	EUR /
97	Washer 10	N311214503	1	KS	EUR /
98	Pulley	S532033253913	1	KS	EUR /
99	Bearing 6203 2 RS C 66 IB	N324162098	1	KS	EUR /
100	Lock ring 40	N311733079	1	KS	EUR /
101	Bushing	S532094214473	1	KS	EUR /

Model: KGC2A-14-0002

Group: KGC09-13-0001

Goliath drive and brake control



ID	Name	Item code	No.	UOM	Price
1	Travel pedal	S532980442623	1	KS	EUR /
2	Differential lever	S532913464043	1	KS	EUR /
3	Cruise control-holder compl.	S532913464023	1	KS	EUR /
4	Cruise control lever	S532980463423	1	KS	EUR /
5	Tension pulley-holder	S532913464013	1	KS	EUR /
6	Bushing 1615 KU Teflon	N323721004	2	KS	EUR /
7	Pulley F3000-0750 metal	N000532003	1	KS	EUR /
8	Lock ring I7	N311733007	1	KS	EUR /
9	Cover rear complete	S532085427563	1	KS	EUR /
10	Gas holder compl.	S532913463963	1	KS	EUR /
1	Reverse pedal	S532980552103	1	KS	EUR /
12	Travel pedal complete	S532980463393	1	KS	EUR /
13	Brake pedal complete	S532980463383	1	KS	EUR /
14	Differential backstop compl.	S532913405693	1	KS	EUR /
15	Brake-arrestment lever	S532980463453	1	KS	EUR /
16	Brake tie rod complete	S532980463463	1	KS	EUR /
17	Brake cable-stopper	S532913464033	1	KS	EUR /
18	Travel lever complete	S532980463433	1	KS	EUR /
19	Brake lever complete	S532980463403	1	KS	EUR /
20	Bearing 6002 2RS	N324165609	2	KS	EUR /
21	Spacer ring	S532195203393	1	KS	EUR /
22	Safety ring 32	N311733073	2	KS	EUR /
23	Travel tie rod	S532980422433	1	KS	EUR /
24	Ball bushing 16DIN71805B ZnBN489	N442073005	1	KS	EUR /
25	Nut M 10	N311150506	1	KS	EUR /
26	Brake springs-holder	S532113415863	1	KS	EUR /
27	Cable connection 9-8074-328	N443900145	1	KS	EUR /
28	Cable connection 9-8074-330	N443900146	1	KS	EUR /
29	Tie rod	S532080403213	1	KS	EUR /
30	Diff.lever - holder	S532113408553	1	KS	EUR /
31	Battery holder	S532013425873	1	KS	EUR /
32	P.brake handle 9-MTD-299	N532151292	1	KS	EUR /
33	Reverse rod 0-9244-225	N532151285	1	KS	EUR /
34	Bearing washer	S532013409123	2	KS	EUR /
35	Spacer	S532095209003	1	KS	EUR /
36	Spacer	S532095208993	1	KS	EUR /
37	Bearing cap	S532192208653	1	KS	EUR /
38	Pin	S532093109963	1	KS	EUR /
39	Dumper holder	S532014409333	1	KS	EUR /
40	Brake tie rod guidance	S532080413373	1	KS	EUR /
41	Hawsepipe of diff-lock	S532038162493	1	KS	EUR /
42	Safety frame	S532913464003	1	KS	EUR /
43	Deflector GC	S532085415923	1	KS	EUR /

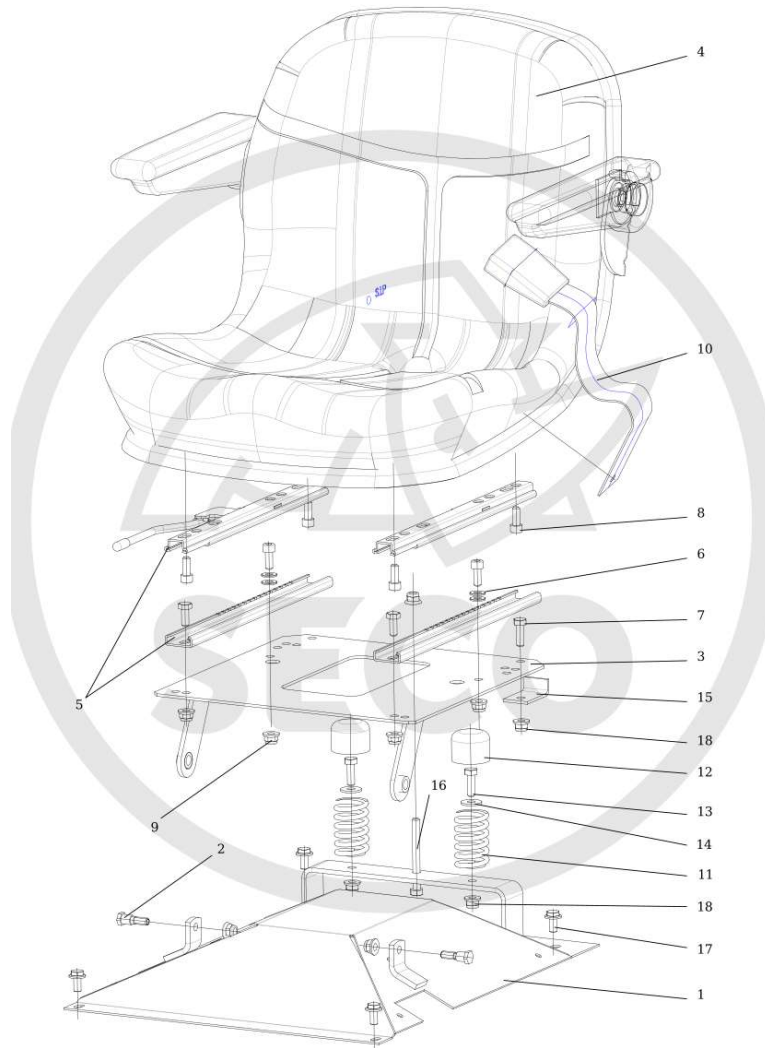
44	Spring 0-9746-487	N315231230	3	KS	EUR /
45	SAFETY U - STRAP 16 DIN 71805 S Z	N442073006	1	KS	EUR /
46	Ring 28x1,5 NBR DIN3770	N273111060	1	KS	EUR /
47	Spring pin 5X25	N315238036	4	KS	EUR /
48	El.Magnet.Rate 9-8032-214	N358352009	1	KS	EUR /
49	Lock ring 12	N311732009	1	KS	EUR /
50	Reverse pedal	S532980512583	1	KS	EUR /
51	SAFETY RING 9	N311732003	1	KS	EUR /
52	Bearing bushing PSM 1214-20	N323721020	1	KS	EUR /
53	Pedal coating 65 137 Favorit	N273151011	1	KS	EUR /
54	Pedal coating 273 151 010 160	N273151001	1	KS	EUR /
55	Bearing CD 1410	N324196024	2	KS	EUR /
56	Lock ring I5	N311733005	1	KS	EUR /
57	Spindle 3.2x25	N311338517	1	KS	EUR /
58	Screw M 8x80 021103.55	N309503581	1	KS	EUR /
59	Nut M 8	N311150503	2	KS	EUR /
60	Spring TZ 2x14x62 Zinc	N315231111	1	KS	EUR /
61	Screw M 6x50 with eye BN1006 Zinc	N309578514	1	KS	EUR /
62	Handle 1066 16 black	N532150305	1	KS	EUR /
63	Spring 0-9746-490	N315231234	1	KS	EUR /
64	Damper 621 100 004	N532151283	1	KS	EUR /
65	Eye with metric thread M8x140 ZN	N309510003	1	KS	EUR /
66	Washer 16X22X1 DIN 988 L 07	N311219496	2	KS	EUR /
67	Spring holder	S532113404613	1	KS	EUR /
68	Bearing bushing PSM 1416-25	N323721019	2	KS	EUR /
69	Screw M 8X40	N309503544	1	KS	EUR /
70	Travel pulley	S532933252873	1	KS	EUR /
71	Nut M 10	N311129502	3	KS	EUR /
72	Washer 10.5	N311210504	1	KS	EUR /
73	Cooling fan 4X4	S532075412033	1	KS	EUR /
74	Safety ring 26	N311733015	1	KS	EUR /
75	Screw M 6X20 DIN 912 8.8 ZINK	N309503575	2	KS	EUR /
76	Clip ROP 315X serie 0 18	N532151282	1	KS	EUR /
77	Screw M 6x40	N309503563	1	KS	EUR /
78	Nut M 6 DIN 6926	N311129525	1	KS	EUR /
79	Screw M5x35	N309503556	2	KS	EUR /
80	Tube holder	N336681020	1	KS	EUR /
81	Screw M 6x25	N309543525	2	KS	EUR /
82	Screw M 5X12	N309203548	1	KS	EUR /
83	Nut M 5 DIN 6926 Zinc	N311129524	1	KS	EUR /
84	Zinc Angle Joint 16Din	N442073003	1	KS	EUR /
85	V-Belt 13X830 LP OPTIBELT	N272731214	1	KS	EUR /
86	Screw M8x80	N309501571	8	KS	EUR /
87	Transmission K664 E Tuff Torq	N532991058	1	KS	EUR /
88	Foot complete	S532980365163	1	KS	EUR /

89	Pulley 52x40x10	N532991063	1 KS	EUR /
90	Screw M 10X35	N309503523	1 KS	EUR /
91	Spring TZ 080.088.0312 Zinc	N315231224	1 KS	EUR /
92	Screw M 6X20	N309503548	1 KS	EUR /
93	LEVER - COMPLETE	S532929462053	1 KS	EUR /
94	Spring pin 6X40	N315238049	1 KS	EUR /
95	Nut M6	N311150504	2 KS	EUR /
96	Spring 0-9746-488	N315231236	1 KS	EUR /
97	Spring	S532097402273	1 KS	EUR /
98	Screw M8x20 DIN 7500D BN 3326	N309578009	2 KS	EUR /
99	Screw M 8x16 DIN 7500 D BN3326	N309578520	5 KS	EUR /
100	Washer 16x28x0.5 DIN 988	N311219525	3 KS	EUR /
101	Washer 6.4	N311210502	1 KS	EUR /
102	SCREW M 6X16 DIN 7500D BN 3326	N309578517	13 KS	EUR /
103	Screw M8X20	N309503518	4 KS	EUR /
104	Nut M 8	N311129501	5 KS	EUR /
105	Nut M 8 DIN 6926 8 Zinc	N532150290	31 KS	EUR /
106	Screw M 8X25	N309503512	15 KS	EUR /
107	Spindle 2x20	N311338501	7 KS	EUR /
108	Washer 8.4	N311210503	15 KS	EUR /
109	Nut M 6	N311129513	2 KS	EUR /
110	Lock ring 12	N311732009	3 KS	EUR /

Model: KGC2A-14-0002

Group: KGC11-13-0001

Goliath hood nr.1

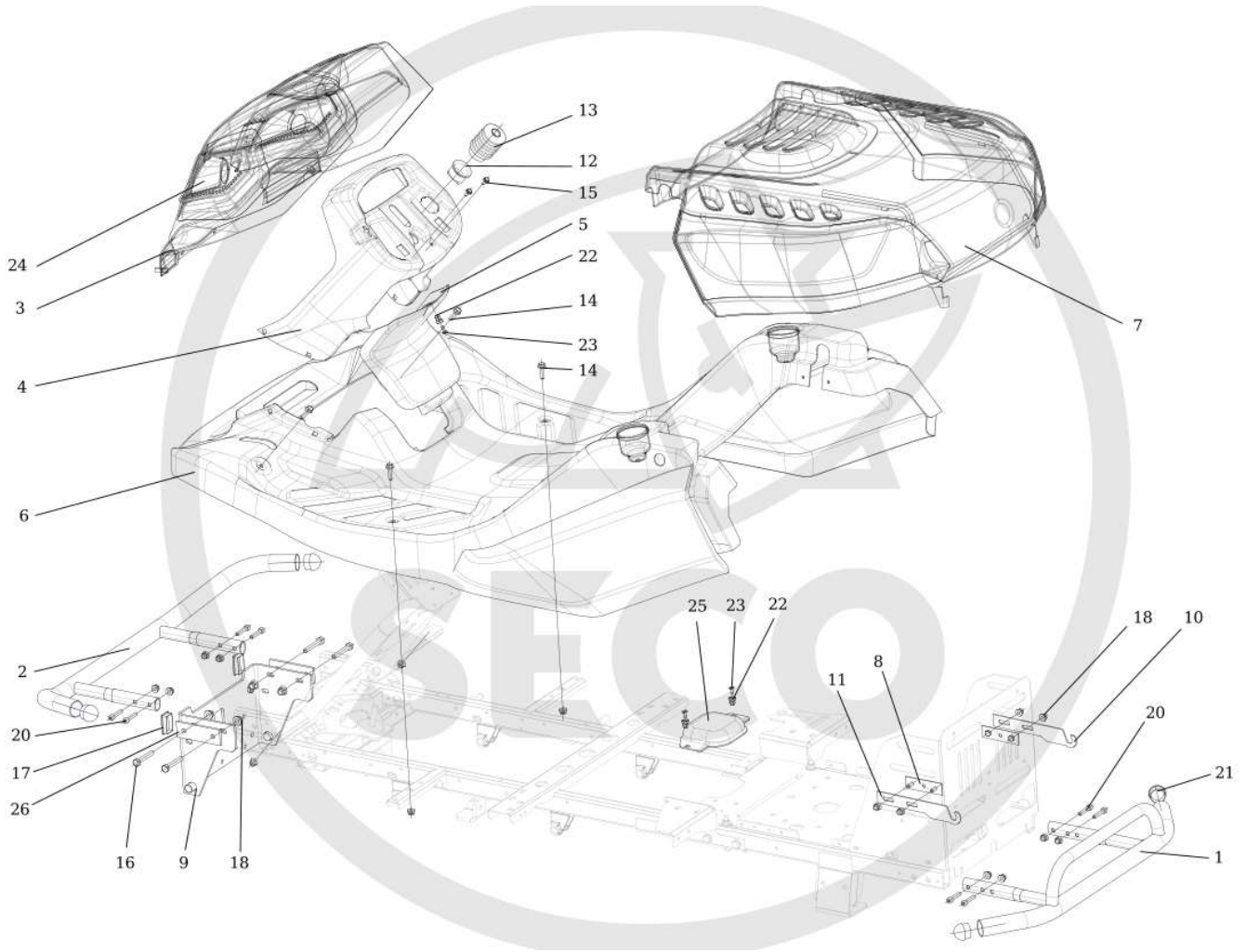


ID	Name	Item code	No.	UOM	Price
1	Cover	S532985478053	1	KS	EUR /
2	Carrier screw	S532090164623	2	KS	EUR /
3	Seat carrier	S532918473333	1	KS	EUR /
4	Seat COBO GT-75 E8096.039	N532151217	1	KS	EUR /
5	Mechanism Cobo sliding	N532150562	1	KS	EUR /
6	Washer 8.4	N311210503	4	KS	EUR /
7	Screw M8X20	N309503518	2	KS	EUR /
8	Screw M 8X20	N309543506	6	KS	EUR /
9	Nut M 8 DIN 6926 8 Zinc	N532150290	4	KS	EUR /
10	Safety belt A 5073.019	N532150563	1	KS	EUR /
11	Spring 0-9746-503	N315231262	2	KS	EUR /
12	Cover 38/A PVC Black	N532150208	2	KS	EUR /
13	Screw M 8X25	N309503512	3	KS	EUR /
14	Washer 9 Zinc	N311212517	2	KS	EUR /
15	Seat backstop	S532013425963	1	KS	EUR /
16	Screw M8x80	N309501571	1	KS	EUR /
17	Screw M 8x16 DIN 7500 D BN3326	N309578520	4	KS	EUR /
18	Nut M 8 DIN 6926 8 Zinc	N532150290	6	KS	EUR /

Model: KGC2A-14-0002

Group: KGC12-13-0003

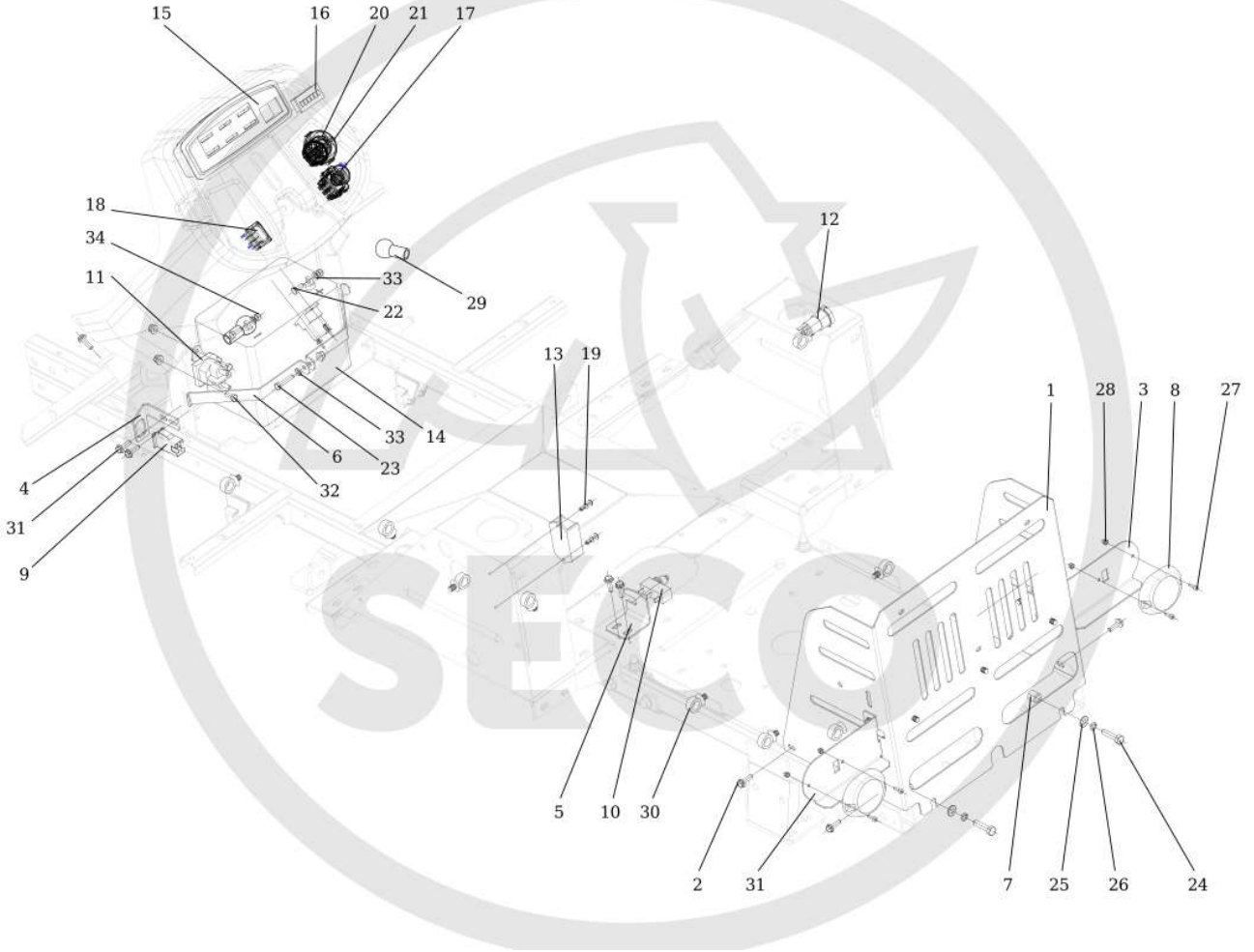
Goliath nr.2



ID	Name	Item code	No.	UOM	Price
1	Bumper rear	S532918462343	1	KS	EUR /
2	Bumper front	S532918462353	1	KS	EUR /
3	Hood 9-1849-406 front	N532151287	1	KS	EUR /
4	Panel 0-8048-338	N532151288	1	KS	EUR /
5	Battery cover 0-1847-461	N532151289	1	KS	EUR /
6	Floor 9-1847-341	N532151290	1	KS	EUR /
7	Engine cover compl. 9-1847-343	N532151291	1	KS	EUR /
8	Clip	S532914302473	2	KS	EUR /
9	Cover complete	S532985412753	1	KS	EUR /
10	Hood-frame holder	S532013418193	1	KS	EUR /
11	Hood-frame holder left	S532013418203	1	KS	EUR /
12	Duster holder 0-1847-460	N532151286	1	KS	EUR /
13	Steering wheel cover	S532096263753	1	KS	EUR /
14	Screw M 8X30 DIN 6921 8.8 Zinc	N309578012	4	KS	EUR /
15	SCREW M 6X16 DIN 7500D BN 3326	N309578517	2	KS	EUR /
16	Screw M 10x55	N309501519	4	KS	EUR /
18	Nut M 10 DIN 6926 Zinc	N311129523	4	KS	EUR /
19	Nut M 8 DIN 6926 8 Zinc	N532150290	4	KS	EUR /
20	Screw M 8x40	N309543501	8	KS	EUR /
21	Dished plug 40mm	N321841087	4	KS	EUR /
22	Seating D7-201-802-010	N532150903	14	KS	EUR /
23	Pin D7-201-711-010	N532150904	14	KS	EUR /
24	Cover glas for reflector	N532151328	1	SD	EUR /
26	Washer	S532014309293	1	KS	EUR /

Model: KGC2A-14-0002
Group: KGC13-13-0001

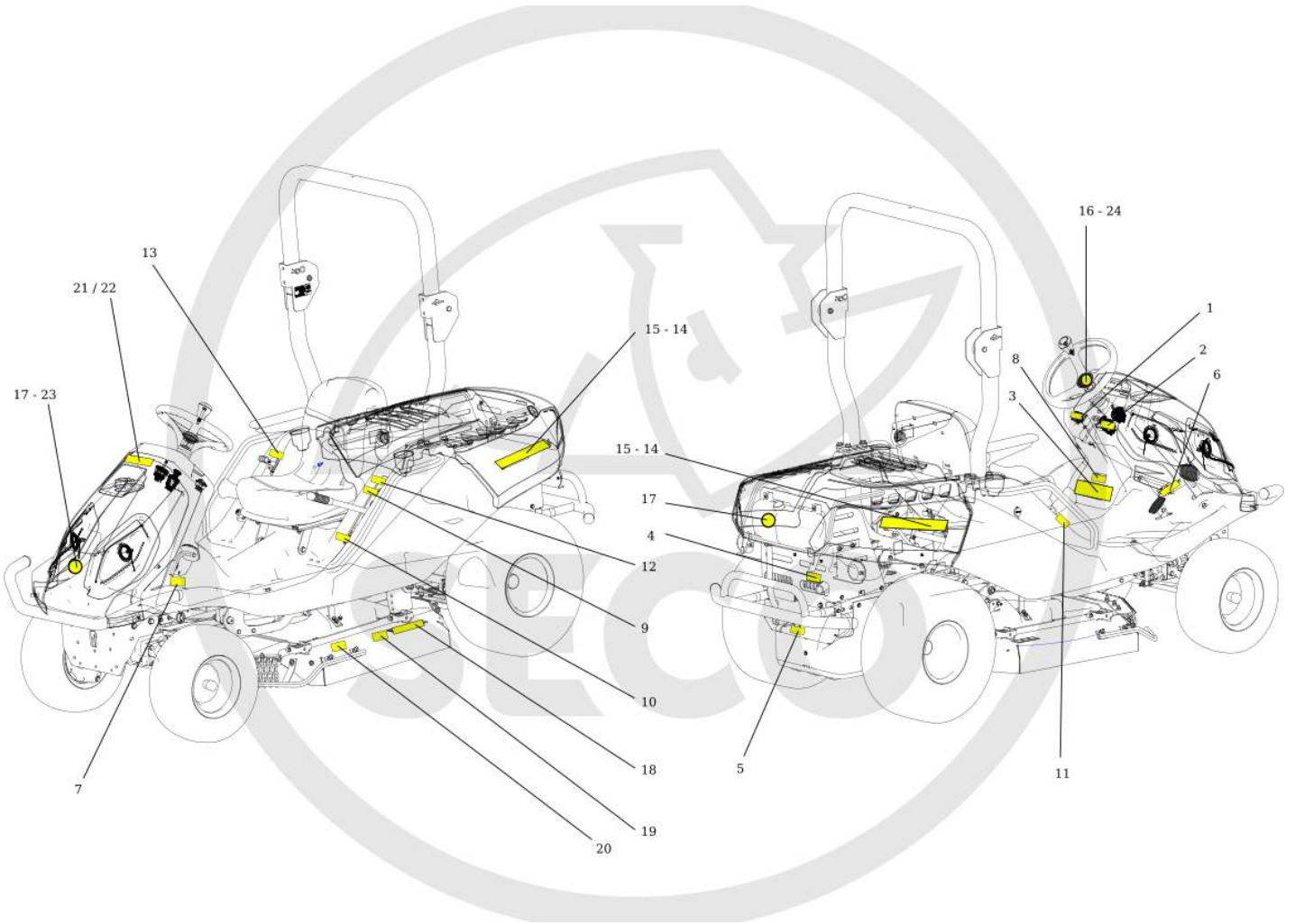
Goliath electrical installation



ID	Name	Item code	No.	UOM	Price
1	Cover rear	S532085415933	1	KS	EUR /
2	Light holder left	S532013418163	1	KS	EUR /
3	Light holder right	S532013418173	1	KS	EUR /
4	Switch holder	S532113408563	1	KS	EUR /
5	Switch holder	S532113415873	1	KS	EUR /
6	Battery clamp	S532113408583	2	KS	EUR /
7	Spacer ring	S532195203473	2	KS	EUR /
8	Light rear FITT KS 004049	N341271178	2	KS	EUR /
9	Switch DELTA 6700-01B	N532150994	1	KS	EUR /
10	Microswitch MKH 12 D 13-S1	N345359004	1	KS	EUR /
11	Solenoid Trombetta 764-1221-210	N532151619	1	KS	EUR /
12	Power outlet 4800128	N345211059	1	KS	EUR /
13	Soft start module 5219-278-002	N443116002	1	KS	EUR /
14	Battery 12V-32Ah ETECH F-ET-U1-R3	N346211009	1	KS	EUR /
15	Display KS 004052	N443433006	1	KS	EUR /
16	Hour-meter SEN DEC DIGITAL	N443433003	1	KS	EUR /
17	Switch PTO Delta 6201-321	N345329022	1	KS	EUR /
18	Contact	N345329017	1	KS	EUR /
19	Rivet 282702	N532151116	2	KS	EUR /
20	Switch box Delta 6900-47 P	N443861007	1	KS	EUR /
21	Starting key DELTA 688P-001	N443900137	1	SD	EUR /
22	Rivet slide-in D=10 PH=6	N532150984	2	KS	EUR /
23	Screw M 6X30	N309503573	1	KS	EUR /
24	Screw M 8X35	N309503543	2	KS	EUR /
25	Washer 8.4	N311210503	2	KS	EUR /
26	Washer 8	N311214502	2	KS	EUR /
27	Screw M 4x12	N309543503	4	KS	EUR /
28	Nut M4	N311129514	4	KS	EUR /
29	Cover 273 125 020 050	N273125006	2	KS	EUR /
30	Clip WSBH 1-0-1	N532150211	14	KS	EUR /
31	SCREW M 6X16 DIN 7500D BN 3326	N309578517	16	KS	EUR /
32	Screw M6X16	N309503508	4	KS	EUR /
33	Washer 6.4	N311210502	3	KS	EUR /
34	Nut M 6 DIN 6926	N311129525	5	KS	EUR /

Model: KGC2A-14-0002
Group: KGC14-14-0001

Goliath Labels

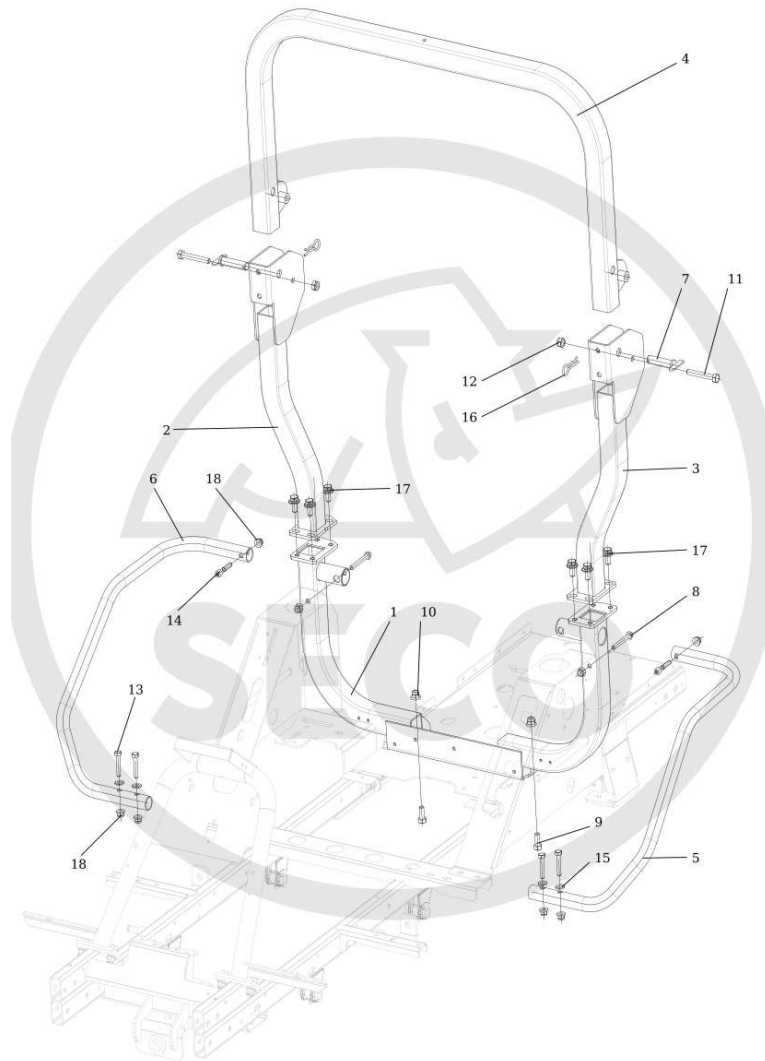


ID	Name	Item code	No.	UOM	Price
1	Label 1-8732-327 cruise controlGC	N283292958	1	KS	EUR /
2	Label 1-8732-328	N283292959	1	KS	EUR /
3	Label 0-8732-336	N283292228	1	KS	EUR /
4	Label 0-8732-337	N283292223	1	KS	EUR /
5	Label 0-8732-523	N283292414	1	KS	EUR /
6	Label 0-8732-444	N283292327	1	KS	EUR /
7	Label 1-8732-363 Brake	N283293029	1	KS	EUR /
8	Label 0-8732-533	N283292419	1	KS	EUR /
9	Label 1-8732-257 cut.lifting	N283292951	1	KS	EUR /
10	Label 1-8732-256 cut.lifting	N283292952	1	KS	EUR /
11	Label 1-8732-259 diff-lock	N283292953	1	KS	EUR /
12	Label 1-8732-258	N283292954	1	KS	EUR /
13	Label 0-8732-482	N283292408	1	KS	EUR /
14	Label 1-8732-358 CHEYENNE 92	N283292997	2	KS	EUR /
150	Label 1-8732-356 Tonkawa 92	N283292995	2	KS	EUR /
16	Label 0-8732-909 logo	N283292768	1	KS	EUR /
17	Label 0-8732-906 hood logo	N283292765	1	KS	EUR /
18	Label 0-8732-559 Noise 100 dB	N283292437	1	KS	EUR /
19	Label 0-8730-510	N283292121	2	KS	EUR /
20	Label 1-8732-335 distrib. 110 GC	N283292991	1	KS	EUR /
21	Label 1-8732-353 Efco	N283292992	1	KS	EUR /
22	Label 1-8732-354 Oleo-Mac	N283292993	1	KS	EUR /
23	Label 0-8732-908 hood logo	N283292767	1	KS	EUR /
24	Label 0-8732-907 logo	N283292766	1	KS	EUR /

Model: KGC2A-14-0002

Group: KGC15-13-0001

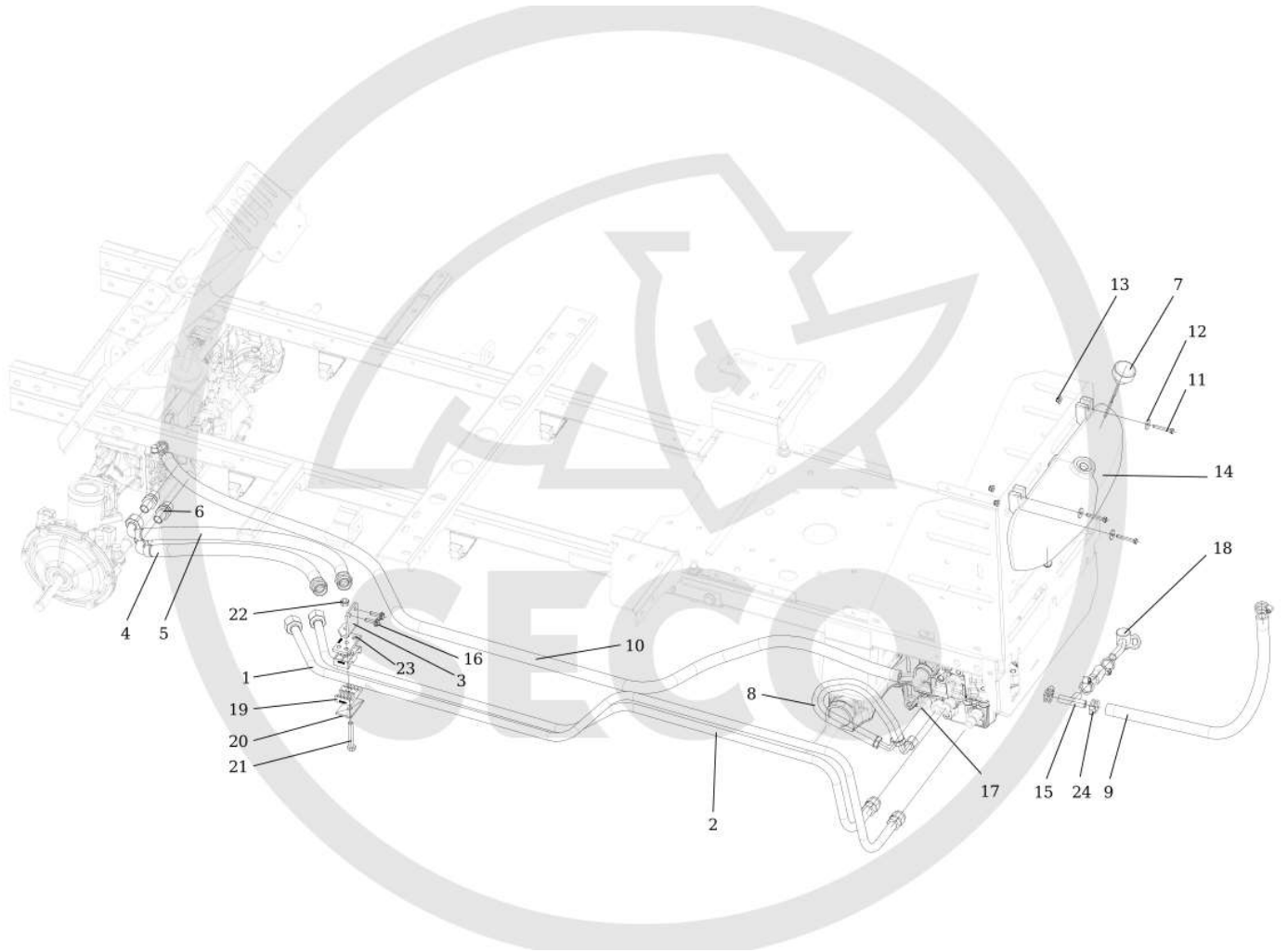
Goliath safety frame ROPS



ID	Name	Item code	No.	UOM	Price
1	ROPS base complete	S532985423933	1	KS	EUR /
2	Web ROPS right	S532985423913	1	KS	EUR /
3	Web ROPS left	S532985423903	1	KS	EUR /
4	ROPS folding frame	S532985423943	1	KS	EUR /
5	Handle left GC	S532013425913	1	KS	EUR /
6	Handle right GC	S532013425923	1	KS	EUR /
7	Pin ROPS complete	S532993463303	2	KS	EUR /
8	Screw M 8x65	N309503568	2	KS	EUR /
9	Screw M 10X25	N309503502	2	KS	EUR /
10	Nut M 10 DIN 6926 Zinc	N311129523	2	KS	EUR /
11	Screw M 10x70	N309503576	2	KS	EUR /
12	Nut M 10	N311129502	2	KS	EUR /
13	Screw M 8x50	N309503533	4	KS	EUR /
14	Screw M 8x45 8.8 A2L ISO 4762	N309543011	2	KS	EUR /
15	Washer 8.4	N311210503	4	KS	EUR /
16	Flexible spindle 0-9245-999	N315238003	2	KS	EUR /
17	Screw M10X25KL100 Ripp. V. DACROM	N309578529	8	KS	EUR /
18	Nut M 8 DIN 6926 8 Zinc	N532150290	8	KS	EUR /

Model: KGC2A-14-0002
Group: KGC19-13-0001

Goliath hydraulic distribution

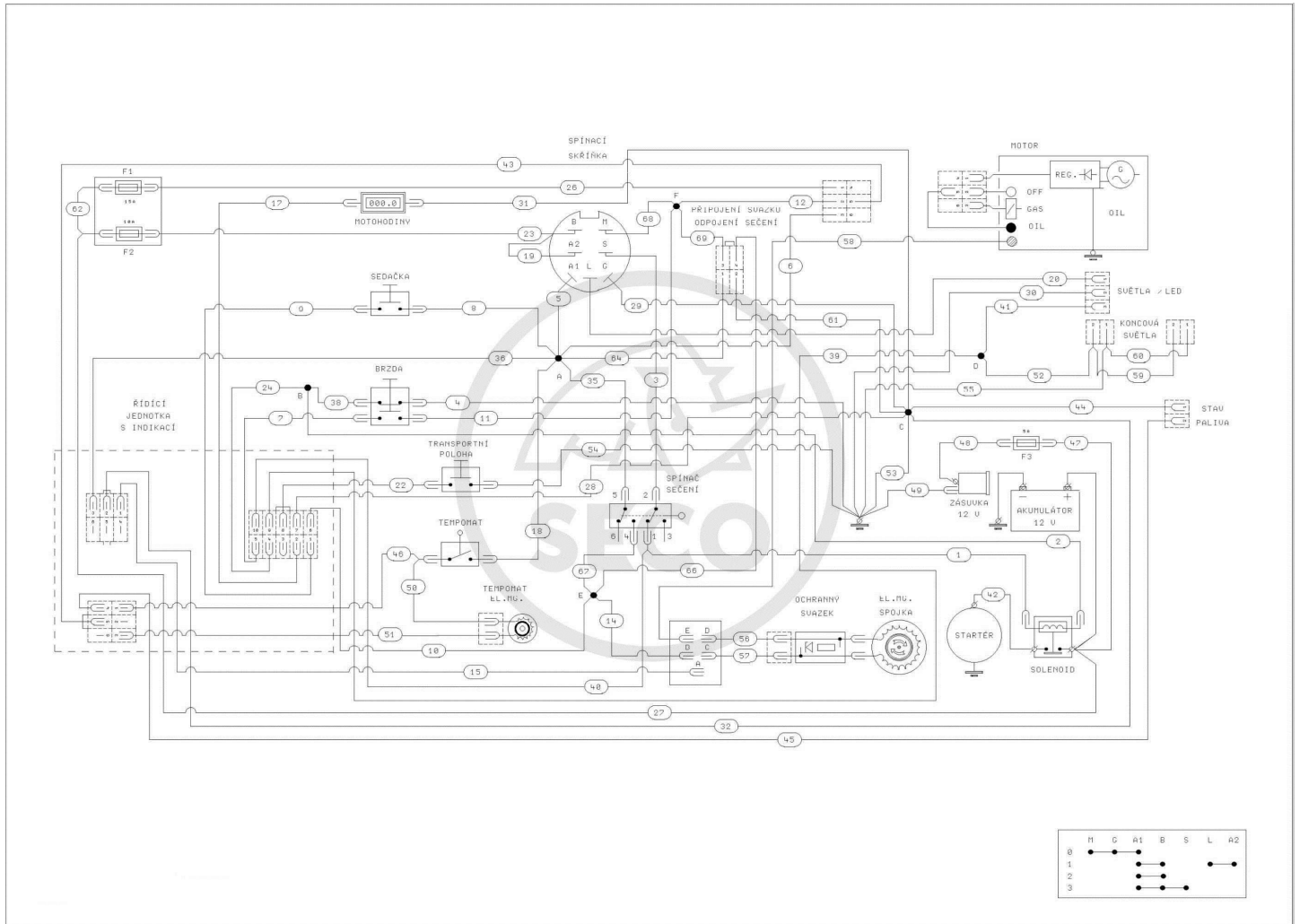


ID	Name	Item code	No.	UOM	Price
1	Tube bottom compl. 9-7446-214	N532151272	1	KS	EUR /
2	Tube upper compl. 9-7446-215	N532151273	1	KS	EUR /
3	Tube holder	S532013425983	1	KS	EUR /
4	Hydraulic hose DN 12-500	N336631110	1	KS	EUR /
5	Hydraulich hose DN 12-520	N336631111	1	KS	EUR /
6	Throat XAL 15-3/4 UNF WD	N336681010	2	KS	EUR /
7	stop gap 1-9310-763	N532150766	1	KS	EUR /
8	Hydraulic hose DN10-580	N336631108	1	KS	EUR /
9	Hose exp. tank GC	S532082204263	1	KS	EUR /
10	Hose exp. GC	S532082204253	1	KS	EUR /
11	Screw M 5X35	N309203556	3	KS	EUR /
12	Washer 5.5 Zinc	N311212518	3	KS	EUR /
13	Nut M 5 DIN 6926 Zinc	N311129524	3	KS	EUR /
14	Tank 0-2766-217	N232130017	1	KS	EUR /
15	Clip TS 13	N532151101	1	KS	EUR /
16	SCREW M 6X16 DIN 7500D BN 3326	N309578517	2	KS	EUR /
17	Throat 9/16-18 UNF/M18x1.5DIN2353	N336681015	2	KS	EUR /
18	Throat complete 9-8246-209	N532991060	1	KS	EUR /
19	Tube holder double	N336681016	1	KS	EUR /
20	Covering board 2 M8 Zn DIN3015	N336681017	1	KS	EUR /
21	Screw M5x35	N309503556	1	KS	EUR /
22	Nut M 8 DIN 6926 8 Zinc	N532150290	1	KS	EUR /
23	Hard-surface board 2 M8 Zn	N336681018	1	KS	EUR /
24	Wire screw-in clip W19-22mm	N548241022	6	KS	EUR /

Model: KGC2A-14-0002

Group: KGC20-13-0001

Goliath wiring diagram





ID	Name	Item code	No. UOM	Price
----	------	-----------	---------	-------

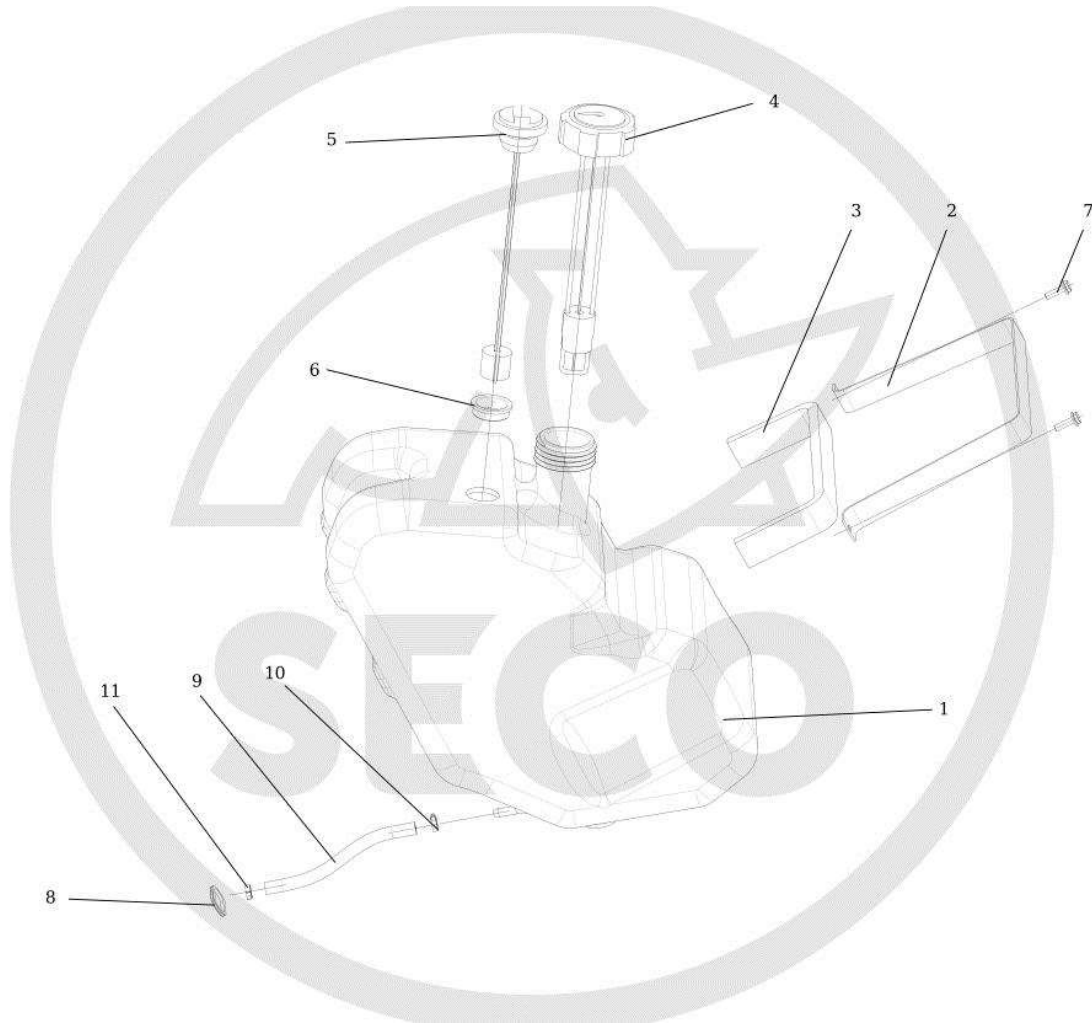
Model:

KGC2A-14-0002

Group:

KGC21-13-0001

Goliath fuel tank



ID	Name	Item code	No.	UOM	Price
1	Fuel tank 0-2766-221 GC	N232130022	1	KS	EUR /
2	Tank belt	S532013418183	1	KS	EUR /
3	Rubber belt L 400	S532092304283	1	KS	EUR /
4	Tank cap with fuel gauge L=10.5	N532151284	1	KS	EUR /
5	Reserve senzor E-Senzor 100	N443422005	1	KS	EUR /
6	Sealing Gromet 201428	N273192053	1	KS	EUR /
7	Screw M 6x20 DIN 7500	N309578538	2	KS	EUR /
8	Rubber sleeve 22X4	N273121029	1	KS	EUR /
10	Hose clip 8-12 Zinc	N548241017	1	KS	EUR /
11	Clip UM 5008	N000532058	1	KS	EUR /