

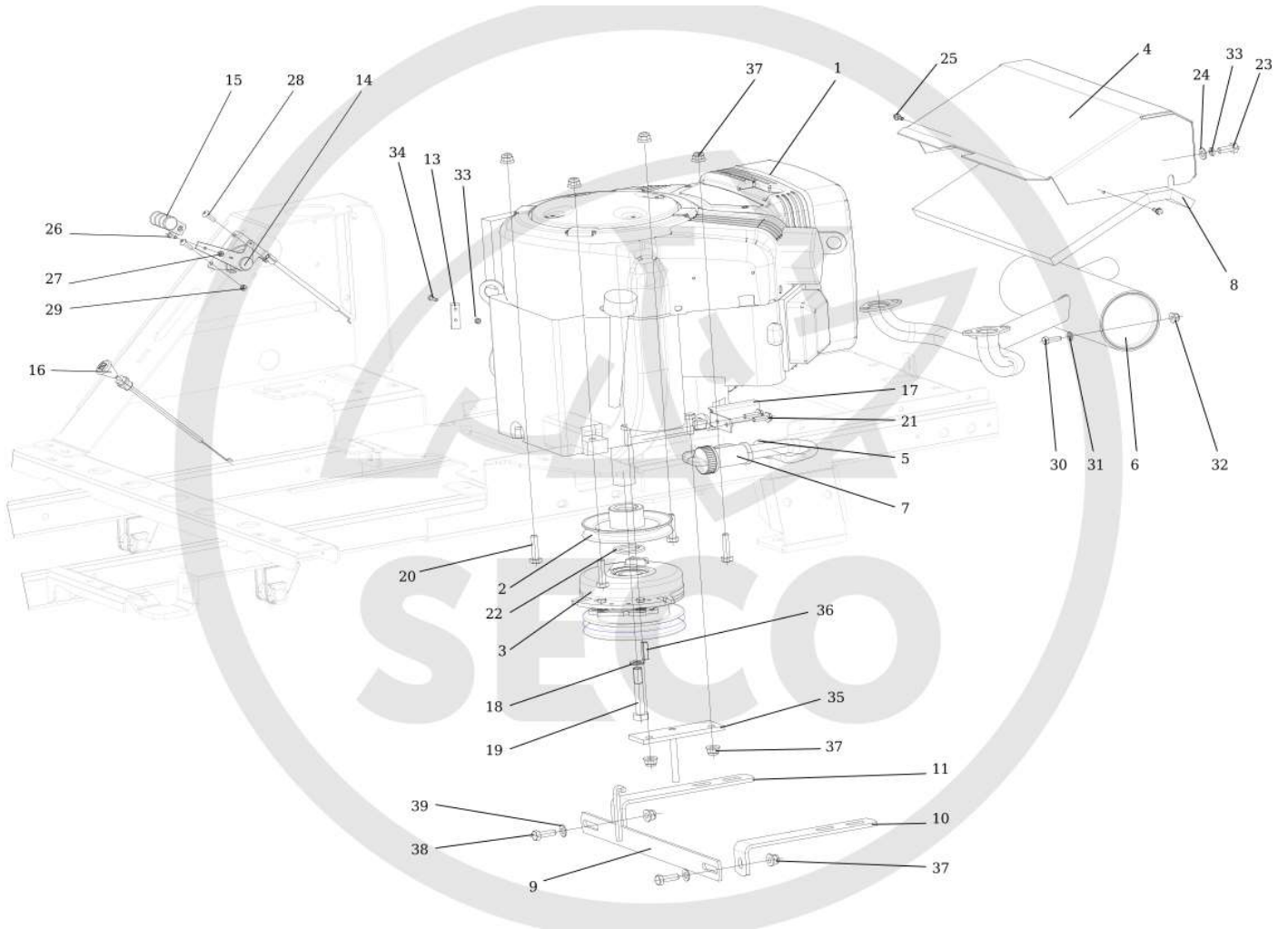
Obrázek není k
dispozici



Model: KGC2A-17-0001

Group: KGC01-13-0001

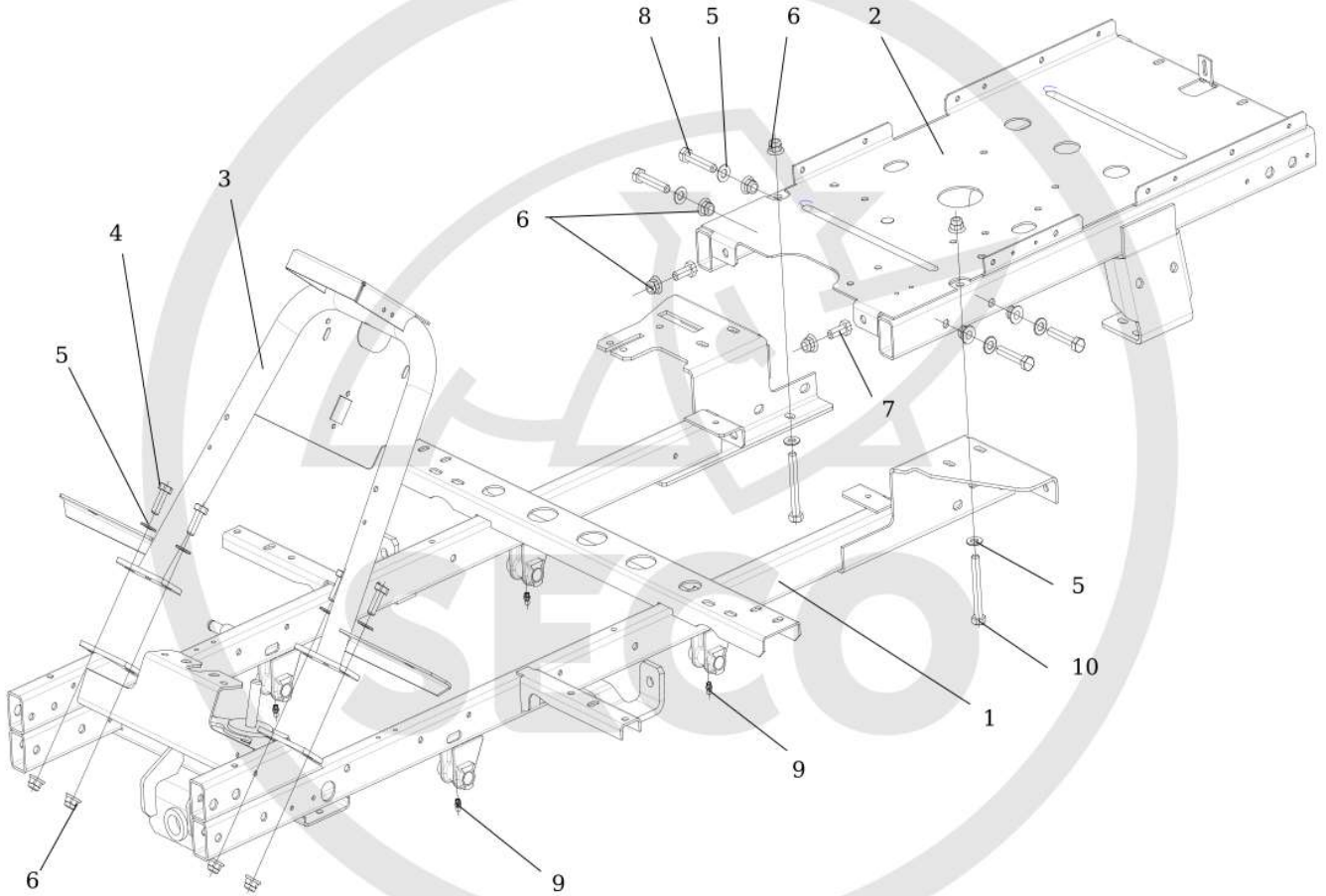
Goliath engine 23HP vanguard EPA3



ID	Name	Item code	No.	UOM	Price
1	Engine 23HP Vanguard V-twin EPA3	N482349027	1	KS	EUR /
2	Engine pulley 9-3325-290 "A"118	N532151100	1	KS	EUR /
3	Clutch elmag. Warner 5217	N339242009	1	KS	EUR /
4	Muffler cover	S532085415953	1	KS	EUR /
5	Reducer to engine	N532151254	1	KS	EUR /
6	Exhaust	S532927472483	1	KS	EUR /
7	Hose with cap	N532151253	1	KS	EUR /
8	Heat isolation 0-8530-624	N273222001	1	KS	EUR /
9	Limiter compl.	S532913369693	1	KS	EUR /
10	Washer	S532092402593	1	KS	EUR /
11	Washer compl.	S532992462033	1	KS	EUR /
12	Not used in this performance	NK00000000	1	KS	EUR /
13	Cable-backstop extension	S532014312363	1	KS	EUR /
14	Throttle lever 9-8071-281 GC	N443900144	1	KS	EUR /
15	Throttle lever 0-8060-239	N443900138	1	KS	EUR /
16	Choke 9-8074-327 GC	N443612016	1	KS	EUR /
17	Discharge hose-holder	S532113408533	1	KS	EUR /
18	Washer NL 11 glued Dacromet	N311219516	1	KS	EUR /
19	Screw 7/16-20x3.5 (NA1960649)	N309579512	1	KS	EUR /
20	Screw M 8X35	N309503543	4	KS	EUR /
21	SCREW M 6X16 DIN 7500D BN 3326	N309578517	2	KS	EUR /
22	Distance ring	S532092208583	1	KS	EUR /
23	screw M8x12	N309203521	1	KS	EUR /
24	Washer 8	N311214502	1	KS	EUR /
25	Screw ST 4,2X13 DIN7504-K BN1880	N309315012	2	KS	EUR /
26	Screw M 4X14 021131.25	N309231535	1	KS	EUR /
27	Nut M4	N311129514	1	KS	EUR /
28	Screw M 5x16 ISO 7380 8.8	N309578532	2	KS	EUR /
29	Nut M 5 DIN 6926 Zinc	N311129524	2	KS	EUR /
30	Screw M 6X25	N309503551	1	KS	EUR /
31	Washer 6.4	N311210502	1	KS	EUR /
32	Nut M 6 DIN 6926	N311129525	1	KS	EUR /
33	Washer 5	N311214507	1	KS	EUR /
34	Screw M 5X16	N309203539	1	KS	EUR /
35	Clutch stopper GC	S532913369683	1	KS	EUR /
36	Key 0-9231-213	N311726101	1	KS	EUR /
37	Nut M 8 DIN 6926 8 Zinc	N532150290	6	KS	EUR /
38	Screw M 8X25	N309503512	4	KS	EUR /
39	Washer 8.4	N311210503	3	KS	EUR /

Model: KGC2A-17-0001
Group: KGC02-13-0001

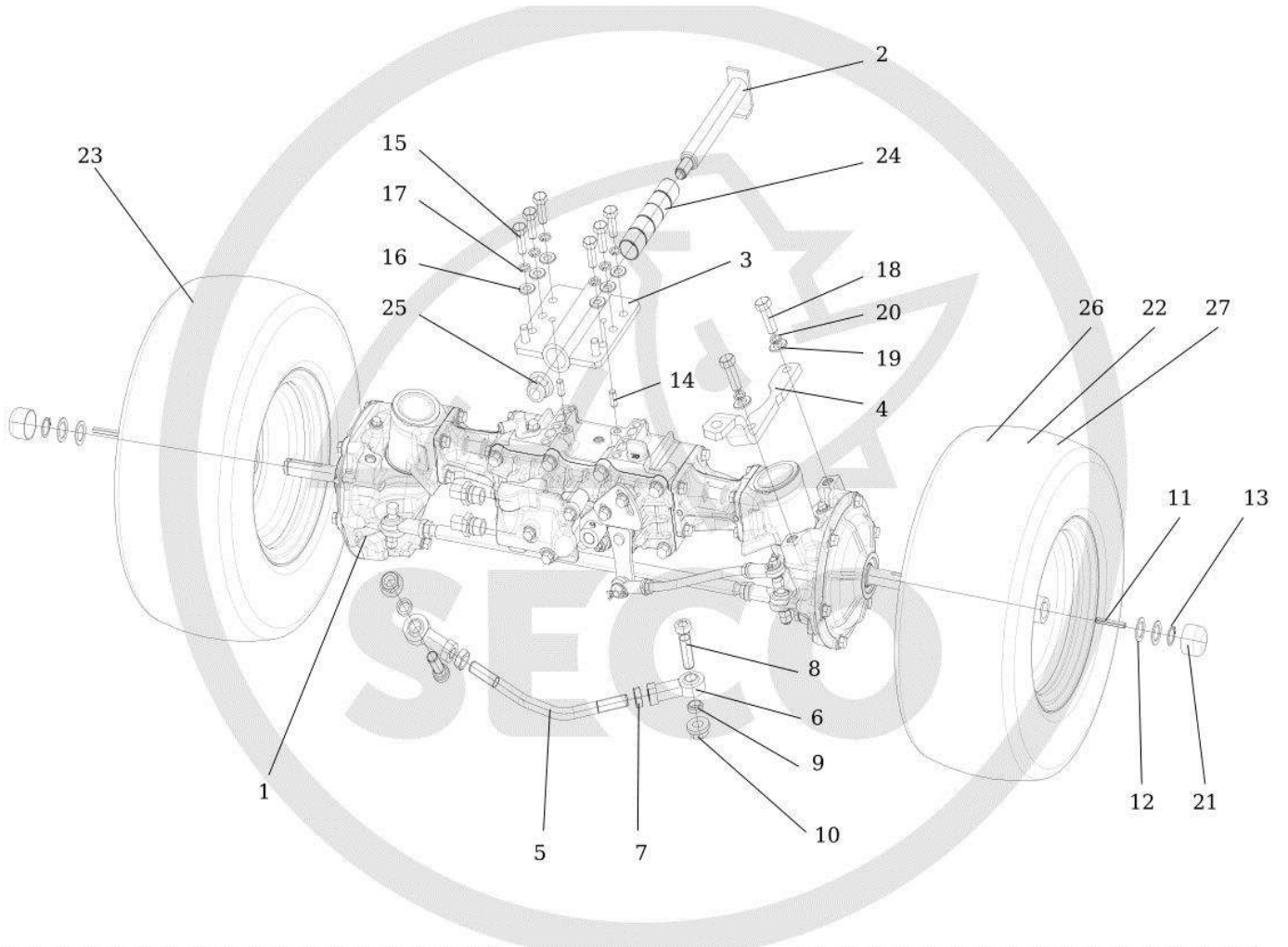
Goliath chassis



ID	Name	Item code	No.	UOM	Price
1	Chassis devided GC	S532912472313	1	KS	EUR /
2	Engine chamber GC	S532927962113	1	KS	EUR /
3	Steering wheel-brace	S532915462343	1	KS	EUR /
4	Screw M 10X30	N309503510	4	KS	EUR /
5	Washer 10.5	N311210504	10	KS	EUR /
6	Nut M 10 DIN 6926 Zinc	N311129523	12	KS	EUR /
7	Screw M 10X25	N309503502	2	KS	EUR /
8	Screw M 10x55	N309501519	4	KS	EUR /
9	Lubricating head MK 6x1	N425111004	1	KS	EUR /
10	Screw M 10X80	N309503558	2	KS	EUR /

Model: KGC2A-17-0001
Group: KGC03-13-0001

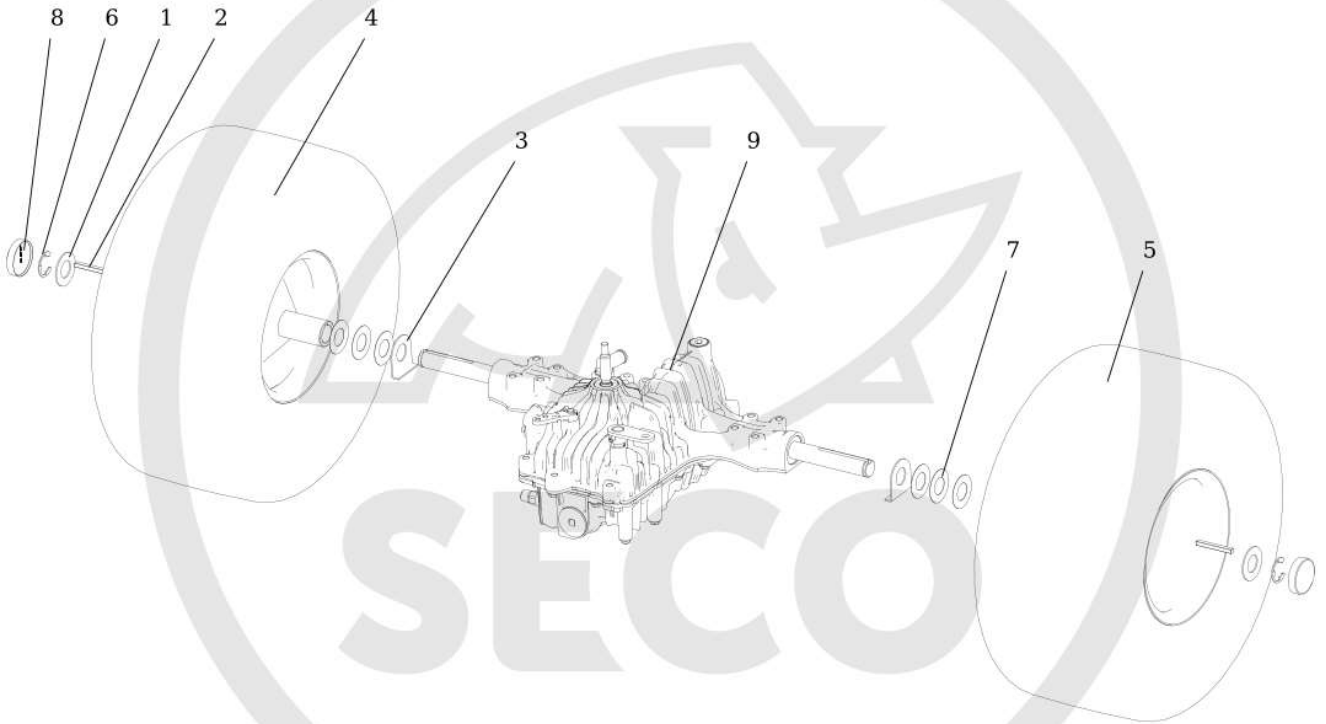
Goliath front axle



ID	Name	Item code	No.	UOM	Price
1	Axle front KXH 10N	N532991057	1	KS	EUR /
2	Pin complete	S532993122783	1	KS	EUR /
3	Axle holder complete	S532916262253	1	KS	EUR /
4	Steering lever	S532080422693	1	KS	EUR /
5	Control bar GC	S532080102883	1	KS	EUR /
6	Joint head PHS 14 REX	N442073031	2	KS	EUR /
7	Nut M 14	N311120542	2	KS	EUR /
8	Screw	S532190161013	2	KS	EUR /
9	Spacer	S532095209013	2	KS	EUR /
10	Nut M 14 RIPP DIN 6923	N311129529	2	KS	EUR /
11	Spring	S532092312233	2	KS	EUR /
12	Washer	S532092207583	4	KS	EUR /
13	Lock ring E-75 3/4	N311732023	2	KS	EUR /
14	Pin 8X20 A	N311515079	2	KS	EUR /
15	Screw M10x30 DIN 933-10.9	N309503571	6	KS	EUR /
16	Washer 10.5	N311210504	6	KS	EUR /
17	Washer 10	N311214503	6	KS	EUR /
18	Screw M12x35 DIN 933-10.9	N309503572	2	KS	EUR /
19	Washer 13	N311210505	2	KS	EUR /
20	Washer 12	N311214504	2	KS	EUR /
21	Cover 32X25 Vinyl-Flex	N532150753	2	KS	EUR /
21	Wheel front L 16x6.50-8 TRAC MAST	N532940177	1	KS	EUR /
23	Wheel front R 16x6.50-8 TRAC MAST	N532940178	1	KS	EUR /
24	Bearing bushing WSM-2528-25W300	N323721015	5	KS	EUR /
25	Nut M 16 DIN 6926	N311129527	1	KS	EUR /
26	Tyre 16X6.50-8 CROSS 4X4	N274161016	2	KS	EUR /
27	Wheel disk 5.50x8 front Cross 4x4	N325111015	2	KS	EUR /

Model: KGC2A-17-0001
Group: KGC04-13-0001

Goliath rear axle

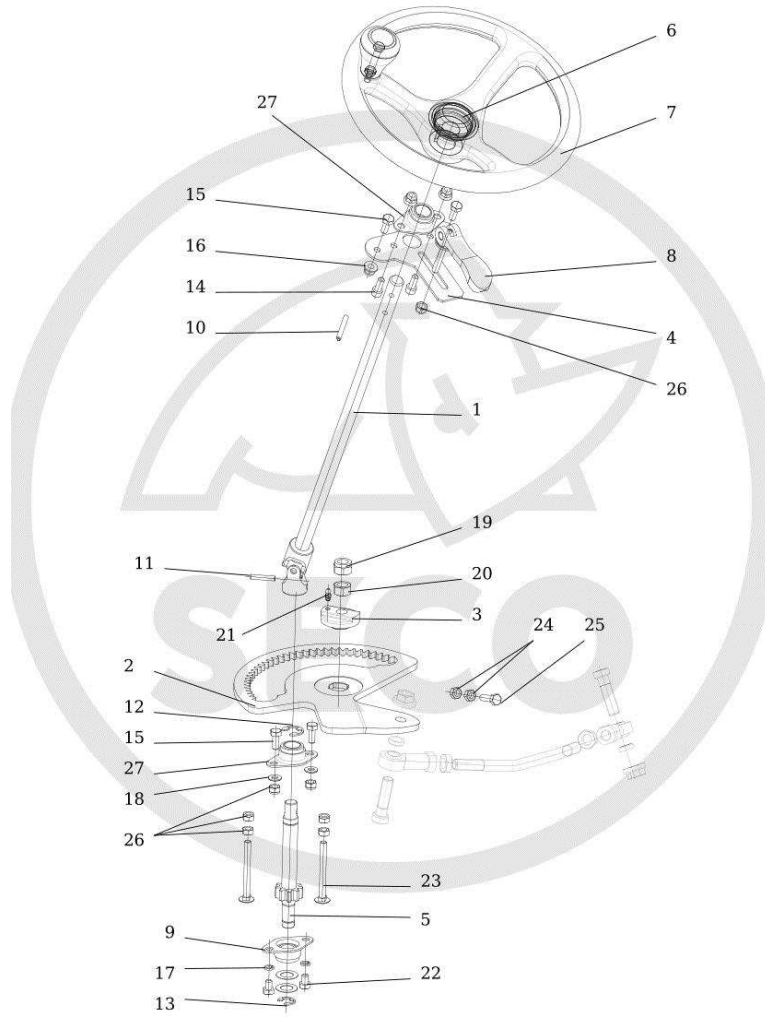


ID	Name	Item code	No.	UOM	Price
1	washer	S532092208053	2	KS	EUR /
2	Spring	S532092312243	1	KS	EUR /
3	Washer	S532092208553	2	KS	EUR /
4	Wheel rear L 20x10.00-8 TRAC MAST	N532940175	1	KS	EUR /
5	Wheel rear R 20x10.00-8 TRAC MAST	N532940176	1	KS	EUR /
6	Lock ring SE-98 1	N311732024	2	KS	EUR /
7	Washer	S532092208083	8	KS	EUR /
8	Black cover GPN 690/3004	N532151024	2	KS	EUR /
9	Transmission K664 E Tuff Torq	N532991058	1	KS	EUR /
10	Wheel disc rear 7.00IX8H2 OTR 202	N325111028	2	KS	EUR /
11	Tyre 20X10.00-8 CROSS 4X4	N274161015	2	KS	EUR /

Model: KGC2A-17-0001

Group: KGC05-13-0001

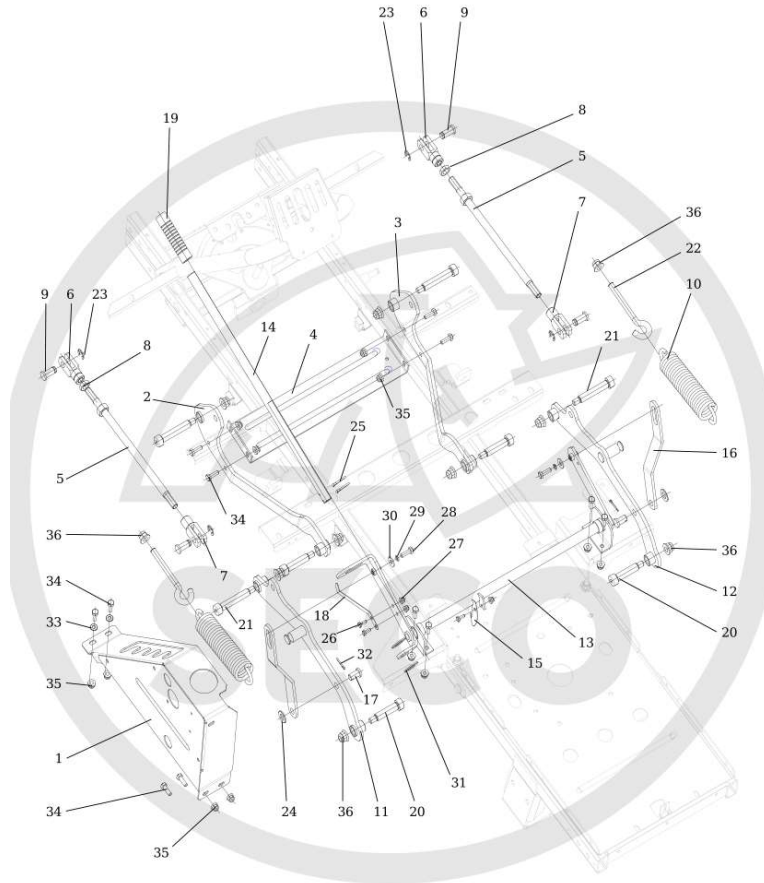
Goliath steering



ID	Name	Item code	No.	UOM	Price
1	Steering wheel-shaft compl.	S532930702173	1	KS	EUR /
2	Cogged segment	S532033322443	1	KS	EUR /
3	Eccentric	S532080272053	1	KS	EUR /
4	Steering wheel guidance	S532013425953	1	KS	EUR /
5	Pinion complete	S532930252203	1	KS	EUR /
6	Cover COBO 0047	N532151106	1	KS	EUR /
7	Steering wheel Cobo PP031	N443821008	1	KS	EUR /
8	Excentric lever 0432-201108X50	N532151102	1	KS	EUR /
9	Ball bearing FJW 10	N324196023	1	KS	EUR /
10	Spring pin 6x45	N315238031	1	KS	EUR /
11	Spring pin 6x32	N315238011	1	KS	EUR /
12	Lock ring 15	N311732008	1	KS	EUR /
13	Lock ring 12	N311732009	1	KS	EUR /
14	Screw M 8X20	N309543506	2	KS	EUR /
15	Screw M8X20	N309503518	4	KS	EUR /
16	Nut M 8 DIN 6926 8 Zinc	N532150290	2	KS	EUR /
17	Washer 8	N311214502	2	KS	EUR /
18	Washer 16x28x0.5 DIN 988	N311219525	3	KS	EUR /
19	Nut M 14	N311129528	1	KS	EUR /
20	Nut M14	N311150513	1	KS	EUR /
21	Lubricating head MK 6x1	N425111004	1	KS	EUR /
22	screw M8x12	N309203521	2	KS	EUR /
23	Screw M 8x80 DIN 603	N309019534	2	KS	EUR /
24	Nut M 8	N311150503	4	KS	EUR /
25	Screw M 8X30	N309503515	1	KS	EUR /
26	Nut M 8	N311129501	7	KS	EUR /
27	Spherical bearing FLW 12	N000324001	2	KS	EUR /

Model: KGC2A-17-0001
Group: KGC06-14-0001

Goliath mowing lifting

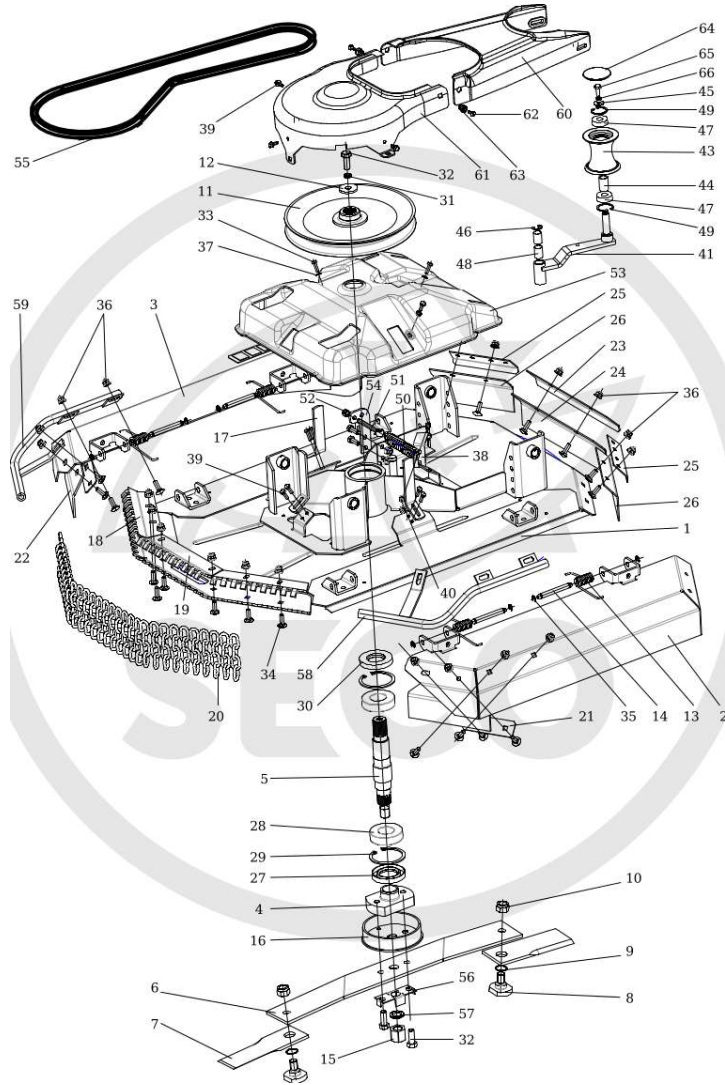


ID	Name	Item code	No.	UOM	Price
1	Mowing lifting gate compl.	S532913463943	1	KS	EUR /
2	Arm front compl. left	S532980508263	1	KS	EUR /
3	Arm front compl. right	S532980508253	1	KS	EUR /
4	Front arms reinforcement	S532080508233	1	KS	EUR /
5	Coupling	S532980422423	1	KS	EUR /
6	Fork left	S532080602423	1	KS	EUR /
7	Fork right	S532080602433	1	KS	EUR /
8	Nut M 14x1.5 L DIN 439	N311120541	1	KS	EUR /
9	Coupling pin	S532193107703	4	KS	EUR /
10	Spring TZ 27/1/1 1.1200	N315231268	2	KS	EUR /
11	Arm rear left	S532980508273	1	KS	EUR /
12	Arm rear right	S532980508283	1	KS	EUR /
13	Cutting lifting	S532980702193	1	KS	EUR /
14	Mowing-lifting lever	S532080112473	1	KS	EUR /
15	Mowing switch spring	S532097402243	1	KS	EUR /
16	Mowing arm	S532080312303	2	KS	EUR /
17	Cutting carrier-pin	S532193117713	2	KS	EUR /
18	Lifting-lever spring	S532097402253	1	KS	EUR /
19	Handle SUNAP 319A-035-20	N532151267	1	KS	EUR /
20	Screw 16/M12-60 BN 1359	N309578539	4	KS	EUR /
21	Screw pr.16/M12-80 BN1359	N309578491	4	KS	EUR /
22	Hook M 12x100 Zn	N309510004	2	KS	EUR /
23	Lock ring 12	N311732009	4	KS	EUR /
24	Washer 21	N311210508	2	KS	EUR /
25	Split pin 4X40	N311338503	2	KS	EUR /
26	Screw M 6X20	N309503548	3	KS	EUR /
27	Nut M 6 DIN 6926	N311129525	3	KS	EUR /
28	Screw M 8X25	N309503512	2	KS	EUR /
29	Washer 8	N311214502	2	KS	EUR /
30	Washer 9 Zinc	N311212517	2	KS	EUR /
31	Washer 15	N311210511	2	KS	EUR /
32	Spindle 3.2x25	N311338517	2	KS	EUR /
33	Washer 8.4	N311210503	2	KS	EUR /
34	Screw M 8X25	N309503512	16	KS	EUR /
35	Nut M 8 DIN 6926 8 Zinc	N532150290	12	KS	EUR /
36	Nut M 12 DIN 6926	N311129526	10	KS	EUR /

Model: KGC2A-17-0001

Group: KGC07-17-0001

Goliath Mowig unit 92cm



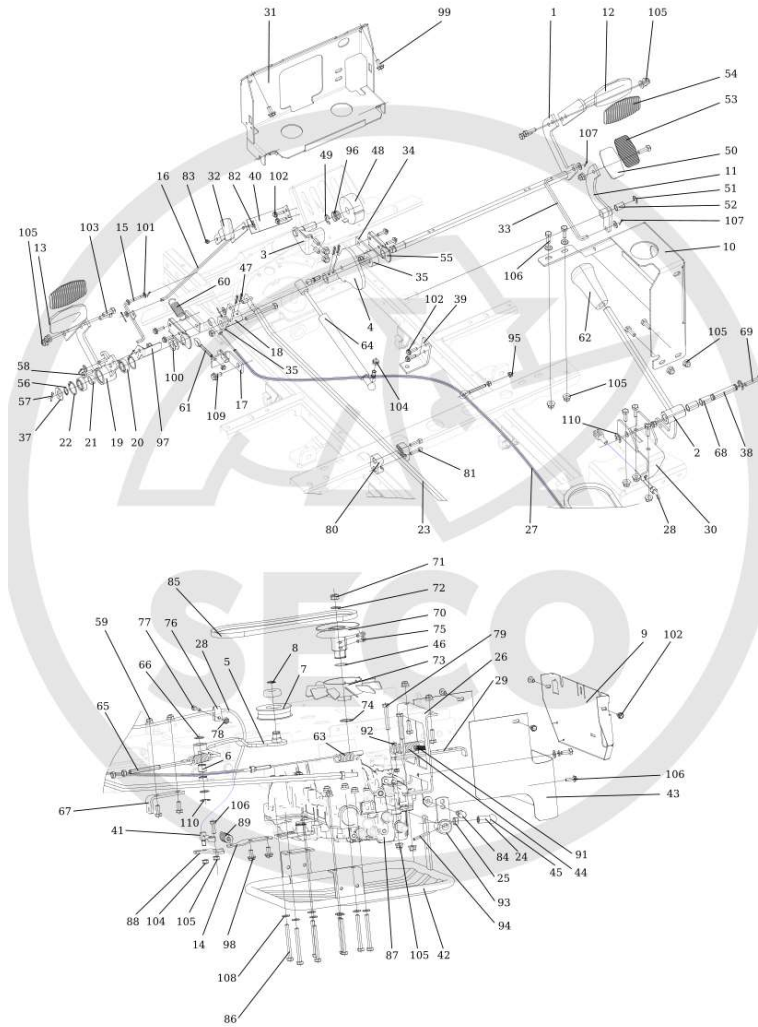
ID	Name	Item code	No.	UOM	Price
1	Cutting deck 92 GC	S532950472333	1	KS	EUR /
2	Cover left compl.	S532985423883	1	KS	EUR /
3	Cover right compl.	S532985423893	1	KS	EUR /
4	Flange	S532098212023	1	KS	EUR /
5	Cutting shaft	S532038152193	1	KS	EUR /
6	Carrier	S532050412233	1	KS	EUR /
7	Blade pair	S532950602033	1	KS	EUR /
8	Blade screw	S532090164643	2	KS	EUR /
9	Ring 22X2	N273111027	2	KS	EUR /
10	Nut M 16 Din 985-8-A3E	N311129503	2	KS	EUR /
11	Pulley 92	S532033252033	1	KS	EUR /
12	Washer	S532092207873	1	KS	EUR /
13	Spring 0-9746-480	N315231221	4	KS	EUR /
14	Pin	S532093117613	4	KS	EUR /
15	Nut 0-9125-226	N532150440	1	KS	EUR /
16	Cap complete	S532939352023	1	KS	EUR /
17	Limiter	S532014409283	3	KS	EUR /
18	Chain stopper	S532113415743	2	KS	EUR /
19	Chain stopper front	S532113415733	1	KS	EUR /
20	Chain A6/4 . 9-8558-200	N318112030	31	KS	EUR /
21	Front shield washer	S532113408393	2	KS	EUR /
22	Shield frot 0-8542-406	N273192050	2	KS	EUR /
23	Rear shield washer 2	S532113408383	1	KS	EUR /
24	Shield rear 2 0-8532-408	N273192051	1	KS	EUR /
25	Shield washer rear 1	S532113408373	2	KS	EUR /
26	Shield rear 1 0-8532-407	N273192052	2	KS	EUR /
27	Shaft seal 45x72x10	N273521180	1	KS	EUR /
28	Bearing 6207 2 RS	N324162095	2	KS	EUR /
29	Lock ring 72	N311733093	2	KS	EUR /
30	Shaft sealing 35x72x10 GP	N273521179	1	KS	EUR /
31	Washer 12	N311214504	1	KS	EUR /
32	Screw M 12X30	N309503503	3	KS	EUR /
33	Screw M6X16	N309503508	11	KS	EUR /
34	Screw M8x25 Zinc	N309019508	20	KS	EUR /
35	Lock ring 7	N311732002	8	KS	EUR /
36	Nut M 8 DIN 6926 8 Zinc	N532150290	23	KS	EUR /
37	Washer 6.4	N311210502	9	KS	EUR /
38	Tension pulley-backstop	S532113408453	1	KS	EUR /
39	SCREW M 6X16 DIN 7500D BN 3326	N309578517	14	KS	EUR /
40	Nut M 6 DIN 6926	N311129525	2	KS	EUR /
41	Pulley holder	S532913463933	1	KS	EUR /
42	Shaft	S532038128433	1	KS	EUR /
43	Pulley	S532033232413	1	KS	EUR /

44	Spacer	S532195203803	1	KS	EUR /
45	Washer 9 Zinc	N311212517	2	KS	EUR /
46	Lock ring 35	N311733075	2	KS	EUR /
47	Bearing 6202 A 2Rs	N324162091	2	KS	EUR /
48	Bushing 1625 KU	N323721006	2	KS	EUR /
49	Lock ring 12	N311732009	1	KS	EUR /
50	Spring 0-9746-490	N315231234	1	KS	EUR /
51	Screw 0-9016-454	N309599025	1	KS	EUR /
52	Screw M 8X25	N309503512	2	KS	EUR /
53	Cover 0-8540-652 plastic	N532151274	1	KS	EUR /
54	Stretcher backstop	S532113326323	1	KS	EUR /
55	V-belt 17x1732 LP Optibelt	N272731251	1	KS	EUR /
56	Washer	S532092304123	1	KS	EUR /
57	Washer NL 20 glued Zinc	N311219514	1	KS	EUR /
58	Reinforcement left	S532913452203	1	KS	EUR /
59	Reinforcement right 92	S532913452193	1	KS	EUR /
61	Belt cover 0-8540-204 GC	N532151474	1	KS	EUR /
60	Pulley cover 0-8540-203 GC	N532151473	1	KS	EUR /
62	Seating D7-201-802-010	N532150903	2	KS	EUR /
63	Pin D7-201-711-010	N532150904	2	KS	EUR /
64	Cap GPN 910/0715	N532151332	1	KS	EUR /
65	Screw M8X20	N309503518	1	KS	EUR /
66	Washer 13.5	N311212502	1	KS	EUR /

Model: KGC2A-17-0001

Group: KGC09-14-0001

Goliath drive and brake control



ID	Name	Item code	No.	UOM	Price
1	Travel pedal	S532980442623	1	KS	EUR /
2	Lever	S532913464093	1	KS	EUR /
3	Cruise control-holder compl.	S532913464023	1	KS	EUR /
4	Cruise control lever	S532980463423	1	KS	EUR /
5	Tension pulley-holder	S532913464013	1	KS	EUR /
6	Bushing 1615 KU Teflon	N323721004	2	KS	EUR /
7	Pulley F3000-0750 metal	N000532003	1	KS	EUR /
8	Lock ring I7	N311733007	1	KS	EUR /
9	Cover rear complete	S532085427563	1	KS	EUR /
10	Gas holder compl.	S532913463963	1	KS	EUR /
1	Reverse pedal	S532980552103	1	KS	EUR /
12	Travel pedal complete	S532980463393	1	KS	EUR /
13	Brake pedal complete	S532980463383	1	KS	EUR /
14	Differential stopper	S532013309583	1	KS	EUR /
15	Brake-arrestment lever	S532980463453	1	KS	EUR /
16	Brake tie rod complete	S532980463463	1	KS	EUR /
17	Brake cable-stopper	S532913464033	1	KS	EUR /
18	Travel lever complete	S532980463433	1	KS	EUR /
19	Brake lever complete	S532980463403	1	KS	EUR /
20	Bearing 6002 2RS	N324165609	2	KS	EUR /
21	Spacer ring	S532195203393	1	KS	EUR /
22	Safety ring 32	N311733073	2	KS	EUR /
23	Travel tie rod	S532980422433	1	KS	EUR /
24	Ball bushing 16DIN71805B ZnBN489	N442073005	1	KS	EUR /
25	Nut M 10	N311150506	1	KS	EUR /
26	Brake springs-holder	S532113415863	1	KS	EUR /
27	Cable connection 9-8074-328	N443900145	1	KS	EUR /
28	Diff-lock bowden 9-8074-331 GC	N443900147	1	KS	EUR /
29	Tie rod	S532080403213	1	KS	EUR /
30	Lever holder DIF	S532113408653	1	KS	EUR /
31	Battery holder	S532013425873	1	KS	EUR /
32	P.brake handle 9-MTD-299	N532151292	1	KS	EUR /
33	Reverse rod 0-9244-225	N532151285	1	KS	EUR /
34	Bearing washer	S532013409123	2	KS	EUR /
35	Spacer	S532095209003	1	KS	EUR /
36	Spacer	S532095208993	1	KS	EUR /
37	Bearing cap	S532192208653	1	KS	EUR /
38	Pin	S532093109963	1	KS	EUR /
39	Dumper holder	S532014409333	1	KS	EUR /
40	Brake tie rod guidance	S532080413373	1	KS	EUR /
41	Hawsepipe of diff-lock	S532038162493	1	KS	EUR /
42	Safety frame	S532913464003	1	KS	EUR /
43	Deflector GC	S532085415923	1	KS	EUR /

44	Spring 0-9746-487	N315231230	3	KS	EUR /
45	SAFETY U - STRAP 16 DIN 71805 S Z	N442073006	1	KS	EUR /
46	Ring 28x1,5 NBR DIN3770	N273111060	1	KS	EUR /
47	Spring pin 5X25	N315238036	4	KS	EUR /
48	El.Magnet.Rate 9-8032-214	N358352009	1	KS	EUR /
49	Lock ring 12	N311732009	1	KS	EUR /
50	Reverse pedal	S532980512583	1	KS	EUR /
51	SAFETY RING 9	N311732003	1	KS	EUR /
52	Bearing bushing PSM 1214-20	N323721020	1	KS	EUR /
53	Pedal coating 65 137 Favorit	N273151011	1	KS	EUR /
54	Pedal coating 273 151 010 160	N273151001	1	KS	EUR /
55	Bearing CD 1410	N324196024	2	KS	EUR /
56	Lock ring I5	N311733005	1	KS	EUR /
57	Spindle 3.2x25	N311338517	1	KS	EUR /
58	Screw M 8x80 021103.55	N309503581	1	KS	EUR /
59	Nut M 8	N311150503	2	KS	EUR /
60	Spring TZ 2x14x62 Zinc	N315231111	1	KS	EUR /
61	Screw M 6x50 with eye BN1006 Zinc	N309578514	1	KS	EUR /
62	Handle 1066 16 black	N532150305	1	KS	EUR /
63	Spring 0-9746-490	N315231234	1	KS	EUR /
64	Damper 621 100 004	N532151283	1	KS	EUR /
65	Eye with metric thread M8x140 ZN	N309510003	1	KS	EUR /
66	Washer 16X22X1 DIN 988 L 07	N311219496	2	KS	EUR /
67	Spring holder	S532113404613	1	KS	EUR /
68	Bearing bushing PSM 1416-25	N323721019	2	KS	EUR /
69	Screw M 8X40	N309503544	1	KS	EUR /
70	Travel pulley	S532933252873	1	KS	EUR /
71	Nut M 10	N311129502	3	KS	EUR /
72	Washer 10.5	N311210504	1	KS	EUR /
73	Cooling fan 4X4	S532075412033	1	KS	EUR /
74	Safety ring 26	N311733015	1	KS	EUR /
75	Screw M 6X20 DIN 912 8.8 ZINK	N309503575	2	KS	EUR /
76	Clip ROP 315X serie 0 18	N532151282	1	KS	EUR /
77	Screw M 6x40	N309503563	1	KS	EUR /
78	Nut M 6 DIN 6926	N311129525	1	KS	EUR /
79	Screw M5x35	N309503556	2	KS	EUR /
80	Tube holder	N336681020	1	KS	EUR /
81	Screw M 6x25	N309543525	2	KS	EUR /
82	Screw M 5X12	N309203548	1	KS	EUR /
83	Nut M 5 DIN 6926 Zinc	N311129524	1	KS	EUR /
84	Zinc Angle Joint 16Din	N442073003	1	KS	EUR /
85	V-Belt 13X830 LP OPTIBELT	N272731214	1	KS	EUR /
86	Screw M8x80	N309501571	8	KS	EUR /
87	Transmission K664 E Tuff Torq	N532991058	1	KS	EUR /
88	Foot complete	S532980365163	1	KS	EUR /

89	Spring 0-9746-493 Diff.lock	N315231239	1 KS	EUR /
90	Not used in this performance	NK00000000	1 KS	EUR /
91	Spring TZ 080.088.0312 Zinc	N315231224	1 KS	EUR /
92	Screw M 6X20	N309503548	1 KS	EUR /
93	LEVER - COMPLETE	S532929462053	1 KS	EUR /
94	Spring pin 6X40	N315238049	1 KS	EUR /
95	Nut M6	N311150504	2 KS	EUR /
96	Spring 0-9746-488	N315231236	1 KS	EUR /
97	Spring	S532097402273	1 KS	EUR /
98	Screw M8x20 DIN 7500D BN 3326	N309578009	2 KS	EUR /
99	Screw M 8x16 DIN 7500 D BN3326	N309578520	5 KS	EUR /
100	Washer 16x28x0.5 DIN 988	N311219525	3 KS	EUR /
101	Washer 6.4	N311210502	1 KS	EUR /
102	SCREW M 6X16 DIN 7500D BN 3326	N309578517	13 KS	EUR /
103	Screw M8X20	N309503518	4 KS	EUR /
104	Nut M 8	N311129501	6 KS	EUR /
105	Nut M 8 DIN 6926 8 Zinc	N532150290	29 KS	EUR /
106	Screw M 8X25	N309503512	16 KS	EUR /
107	Spindle 2x20	N311338501	7 KS	EUR /
108	Washer 8.4	N311210503	15 KS	EUR /
109	Nut M 6	N311129513	2 KS	EUR /
110	Lock ring 28	N311733016	1 KS	EUR /

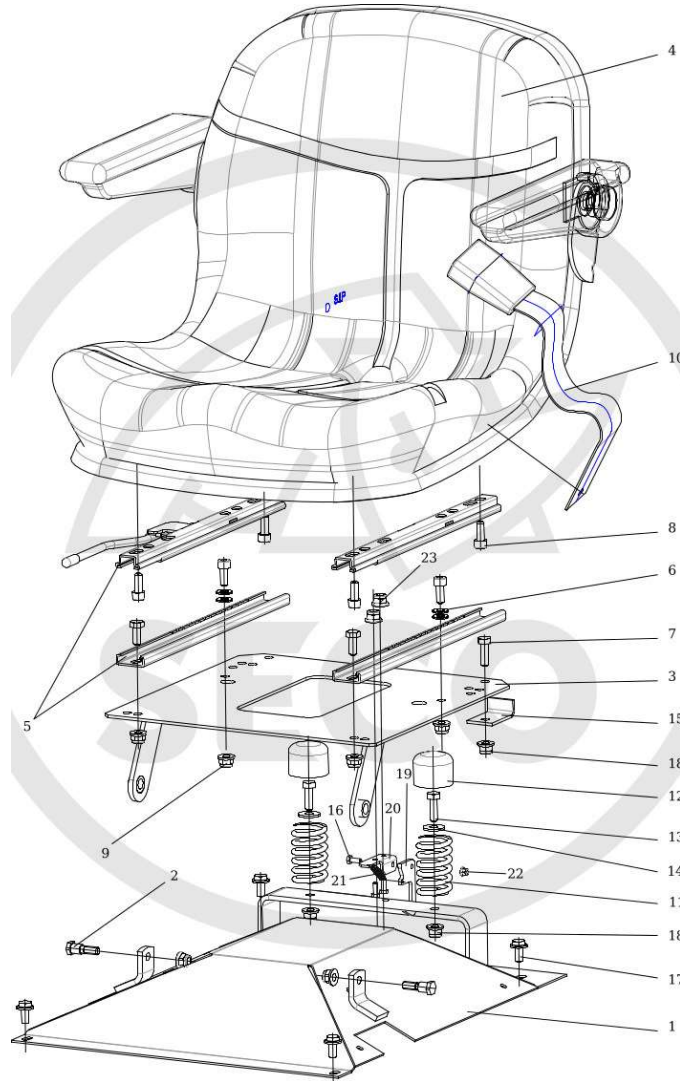
Model:

KGC2A-17-0001

Group:

KGC11-17-0001

Goliath hood n.1

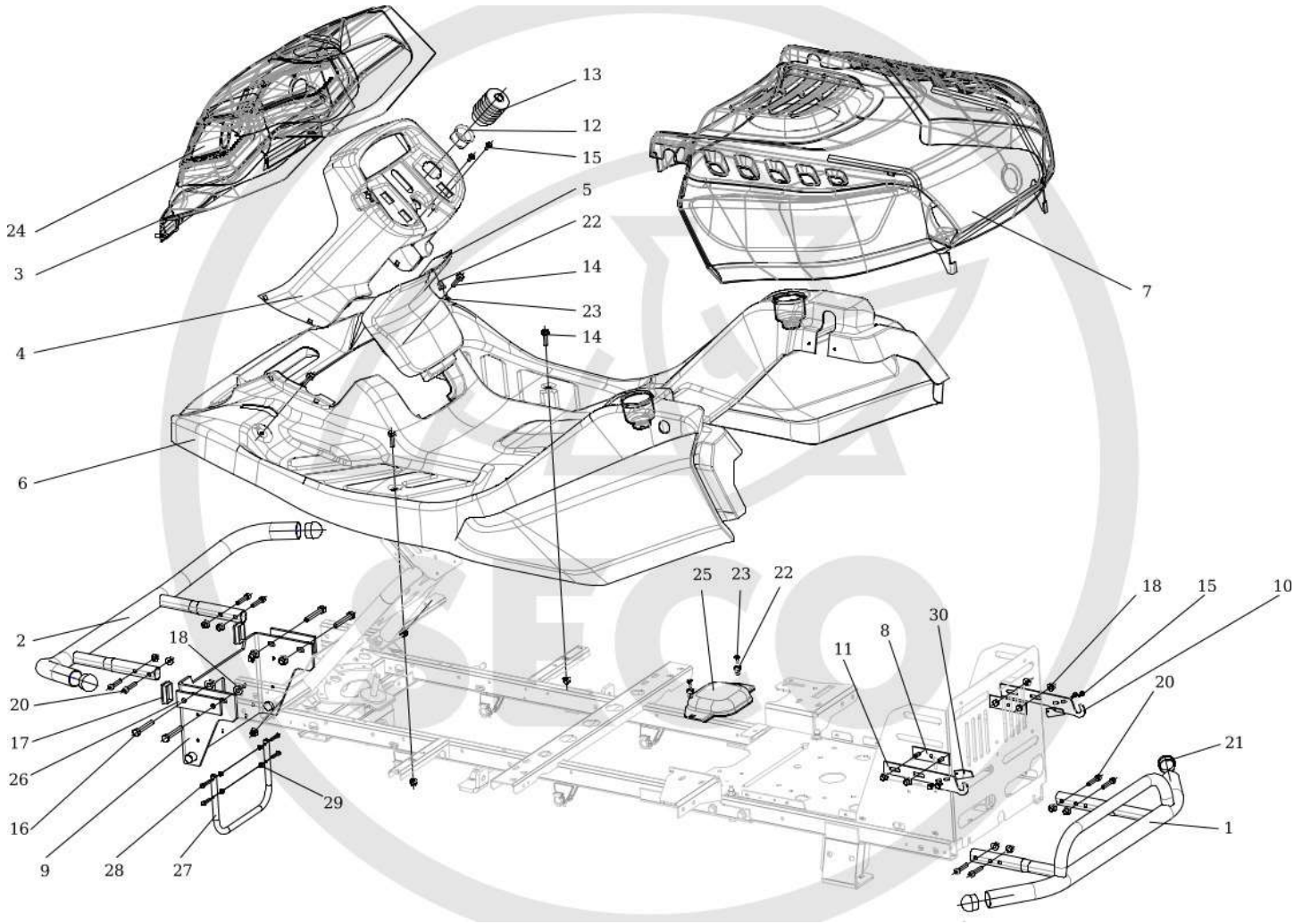


ID	Name	Item code	No.	UOM	Price
1	Cover	S532985478053	1	KS	EUR /
2	Carrier screw	S532090164623	2	KS	EUR /
3	Seat carrier	S532918473333	1	KS	EUR /
4	Seat COBO GT-75 E8096.039	N532151217	1	KS	EUR /
5	Mechanism Cobo sliding	N532150562	1	KS	EUR /
6	Washer 8.4	N311210503	4	KS	EUR /
7	Screw M8X20	N309503518	2	KS	EUR /
8	Screw M 8X20	N309543506	6	KS	EUR /
9	Nut M 8 DIN 6926 8 Zinc	N532150290	4	KS	EUR /
10	Safety belt A 5073.019	N532150563	1	KS	EUR /
11	Spring 0-9746-503	N315231262	2	KS	EUR /
12	Cover 38/A PVC Black	N532150208	2	KS	EUR /
13	Screw M 8X25	N309503512	3	KS	EUR /
14	Washer 9 Zinc	N311212517	2	KS	EUR /
15	Seat backstop	S532013425963	1	KS	EUR /
16	Screw M6X16	N309503508	3	KS	EUR /
17	Screw M 8x16 DIN 7500 D BN3326	N309578520	4	KS	EUR /
18	Nut M 8 DIN 6926 8 Zinc	N532150290	6	KS	EUR /
19	Hook	S532014302123	1	KS	EUR /
20	Footing	S532013402133	1	KS	EUR /
21	Spring TZ 080.088.0312 Zinc	N315231224	1	KS	EUR /
22	Nut M 6	N311129513	1	KS	EUR /
23	Nut M 6 DIN 6926	N311129525	2	KS	EUR /

Model: KGC2A-17-0001

Group: KGC12-15-0001

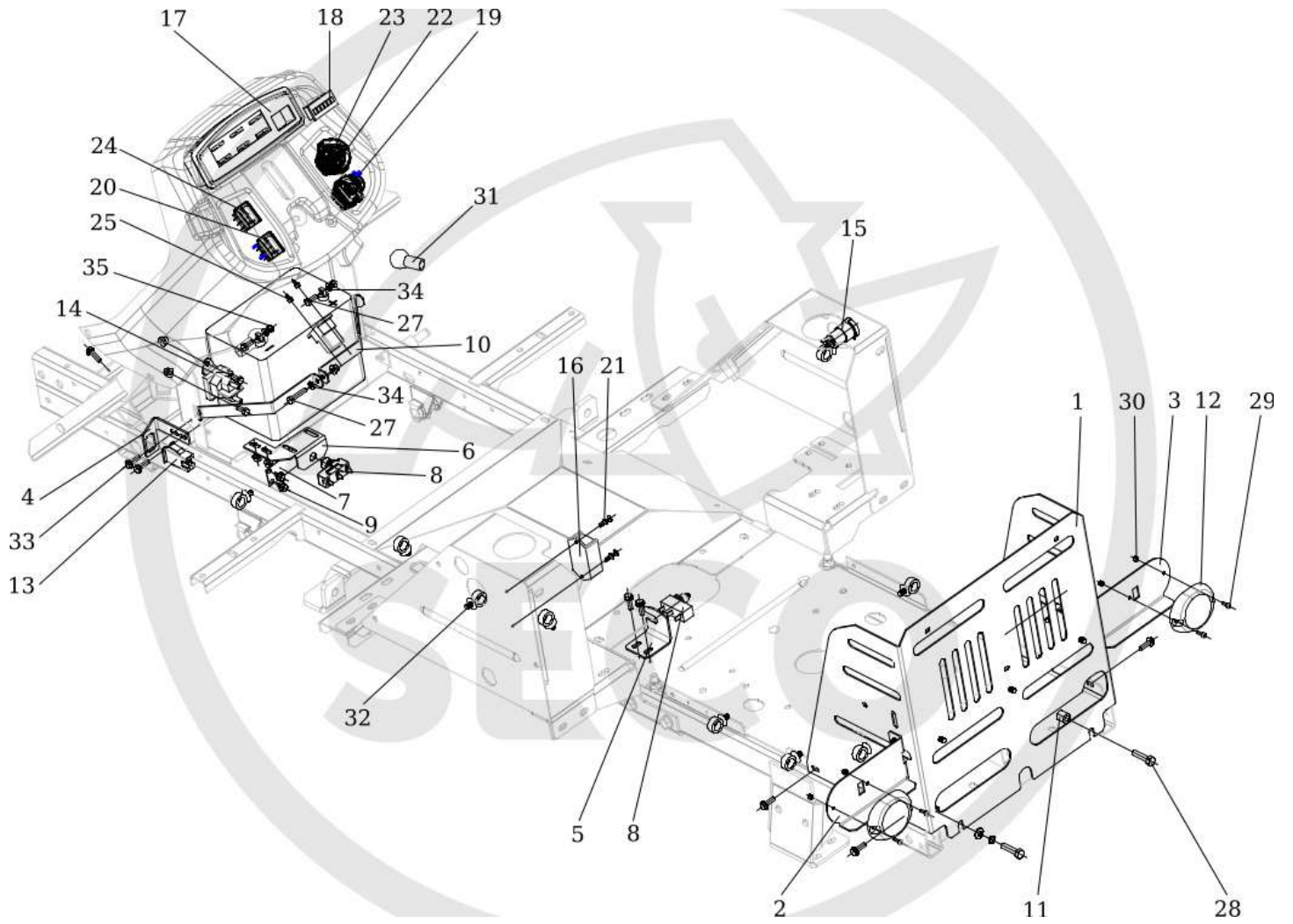
Goliath hood nr.2



ID	Name	Item code	No.	UOM	Price
1	Bumper rear	S532918462343	1	KS	EUR /
2	Bumper front	S532918462353	1	KS	EUR /
3	Hood 9-1849-406 front	N532151287	1	KS	EUR /
4	Panel 0-8048-271	N532151476	1	KS	EUR /
5	Battery cover 0-1847-461	N532151289	1	KS	EUR /
6	Floor 9-1847-341	N532151290	1	KS	EUR /
7	Engine cover compl. 9-1847-343	N532151291	1	KS	EUR /
8	Clip	S532914302473	2	KS	EUR /
9	Cover complete	S532985412753	1	KS	EUR /
10	Hood-frame holder	S532013418193	1	KS	EUR /
11	Hood-frame holder	S532013418193	2	KS	EUR /
12	Duster holder 0-1847-460	N532151286	1	KS	EUR /
13	Steering wheel cover	S532096263753	1	KS	EUR /
14	Screw M 8X30 DIN 6921 8.8 Zinc	N309578012	4	KS	EUR /
15	SCREW M 6X16 DIN 7500D BN 3326	N309578517	6	KS	EUR /
16	Screw M 10x55	N309501519	4	KS	EUR /
18	Nut M 10 DIN 6926 Zinc	N311129523	4	KS	EUR /
19	Nut M 8 DIN 6926 8 Zinc	N532150290	4	KS	EUR /
20	Screw M 8x40	N309543501	8	KS	EUR /
21	Dished plug 40mm	N321841087	4	KS	EUR /
22	Seating D7-201-802-010	N532150903	14	KS	EUR /
23	Pin D7-201-711-010	N532150904	14	KS	EUR /
24	Cover glas for reflector	N532151328	1	SD	EUR /
26	Washer	S532014309293	1	KS	EUR /
27	Safety tube	S532015402013	1	KS	EUR /
28	Screw M 8X35	N309503543	4	KS	EUR /
29	Nut M 8	N311129501	4	KS	EUR /
30	Stopper	S532013409163	2	KS	EUR /

Model: KGC2A-17-0001
Group: KGC13-15-0001

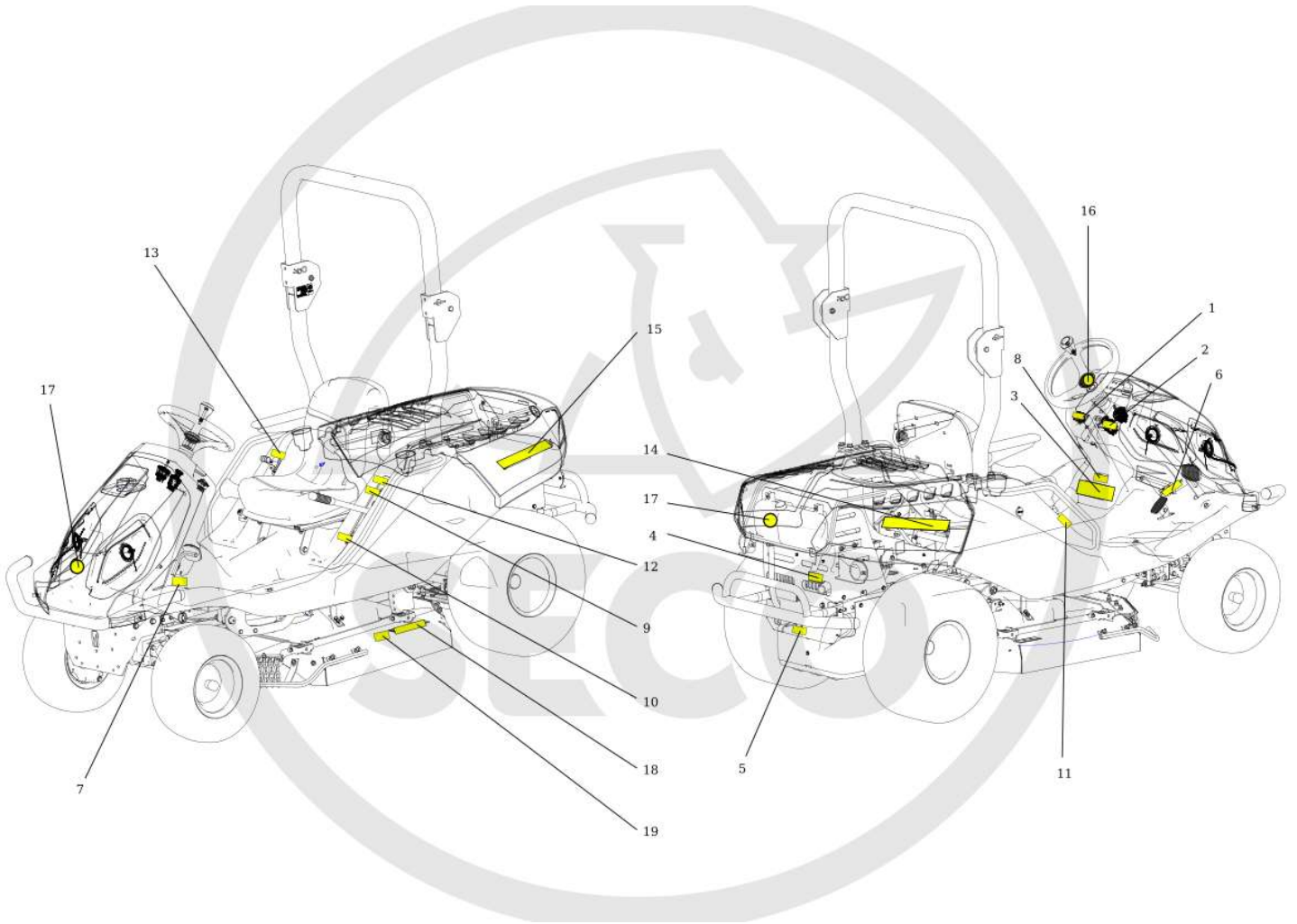
Goliath electrical installation



ID	Name	Item code	No.	UOM	Price
1	Cover rear	S532085415933	1	KS	EUR /
2	Light holder left	S532013418163	1	KS	EUR /
3	Light holder right	S532013418173	1	KS	EUR /
4	Switch holder	S532113408563	1	KS	EUR /
5	Switch holder	S532113415873	1	KS	EUR /
6	Sensor holder	S532014402193	1	KS	EUR /
7	Neutral spring	S532097412093	1	KS	EUR /
8	Microswitch MKH 12 D 13-S1	N345359004	2	KS	EUR /
9	Screw M 6x10 DIN 7500 D	N309578545	4	KS	EUR /
10	Battery clamp	S532113408583	2	KS	EUR /
11	Spacer ring	S532195203473	2	KS	EUR /
12	Light rear KS004096	N341271208	2	KS	EUR /
13	Switch DELTA 6700-01B	N532150994	1	KS	EUR /
14	Solenoid Trombetta 764-1221-210	N532151619	1	KS	EUR /
15	Power outlet 4800128	N345211059	1	KS	EUR /
16	Soft start module 5219-278-002	N443116002	1	KS	EUR /
17	Display KS004078	N443433009	1	KS	EUR /
18	Hour-meter SEN DEC DIGITAL	N443433003	1	KS	EUR /
19	Switch VDD2S001 9ZZCR 100	N345329023	1	KS	EUR /
20	Contact	N345329017	1	KS	EUR /
21	Rivet 282702	N532151116	2	KS	EUR /
22	Switch box Delta 6900-47 P	N443861007	1	KS	EUR /
23	Starting key DELTA 688P-001	N443900137	1	SD	EUR /
24	Switch 1932.3413	N345329025	1	KS	EUR /
25	Screw M 5x12 DIN 7500D BN3326	N309578544	2	KS	EUR /
26	Screw M6X16	N309503508	2	KS	EUR /
27	Screw M 6x40	N309503563	1	KS	EUR /
28	Screw M8X30 DIN 7500D BN 3326	N309578518	2	KS	EUR /
29	Screw M 4x12	N309543503	4	KS	EUR /
30	Nut M4	N311129514	4	KS	EUR /
31	Cover 273 125 020 050	N273125006	2	KS	EUR /
32	Clip WSBH 1-0-1	N532150211	14	KS	EUR /
33	SCREW M 6X16 DIN 7500D BN 3326	N309578517	25	KS	EUR /
34	Washer 6.4	N311210502	3	KS	EUR /
35	Nut M 6 DIN 6926	N311129525	3	KS	EUR /

Model: KGC2A-17-0001
Group: KGC14-13-0001

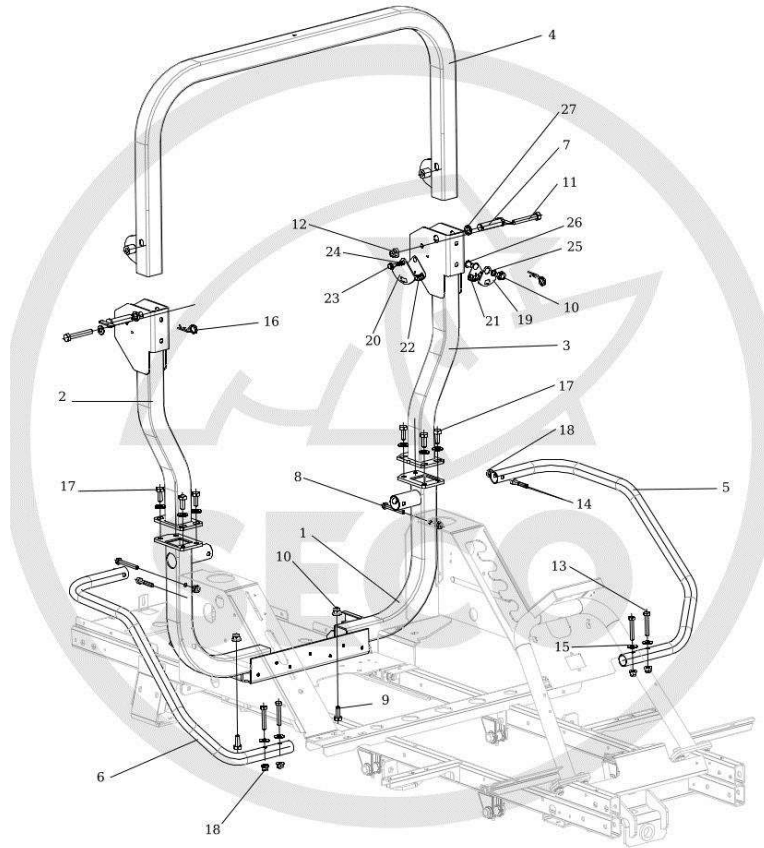
Goliath Labels



ID	Name	Item code	No.	UOM	Price
1	Label 1-8732-327 cruise controlGC	N283292958	1	KS	EUR /
2	Label 1-8732-328	N283292959	1	KS	EUR /
3	Label 0-8732-336	N283292228	1	KS	EUR /
4	Label 0-8732-337	N283292223	1	KS	EUR /
5	Label 0-8732-523	N283292414	1	KS	EUR /
6	Label 0-8732-444	N283292327	1	KS	EUR /
7	Label 1-8732-363 Brake	N283293029	1	KS	EUR /
8	Label 0-8732-533	N283292419	1	KS	EUR /
9	Label 1-8732-257 cut.lifting	N283292951	1	KS	EUR /
10	Label 1-8732-256 cut.lifting	N283292952	1	KS	EUR /
11	Label 1-8732-259 diff-lock	N283292953	1	KS	EUR /
12	Label 1-8732-258	N283292954	1	KS	EUR /
13	Label 0-8732-482	N283292408	1	KS	EUR /
14	Label 1-8732-325 hood R GC	N283292956	1	KS	EUR /
15	Label 1-8732-326 hood L	N283292957	1	KS	EUR /
16	Label 0-8732-993	N283292840	1	KS	EUR /
17	Label 0-8732-911	N283292769	2	KS	EUR /
18	Label 0-8732-559 Noise 100 dB	N283292437	1	KS	EUR /
19	Label 0-8730-510	N283292121	2	KS	EUR /
20	Label 1-8732-335 distrib. 110 GC	N283292991	1	KS	EUR /

Model: KGC2A-17-0001
Group: KGC15-14-0001

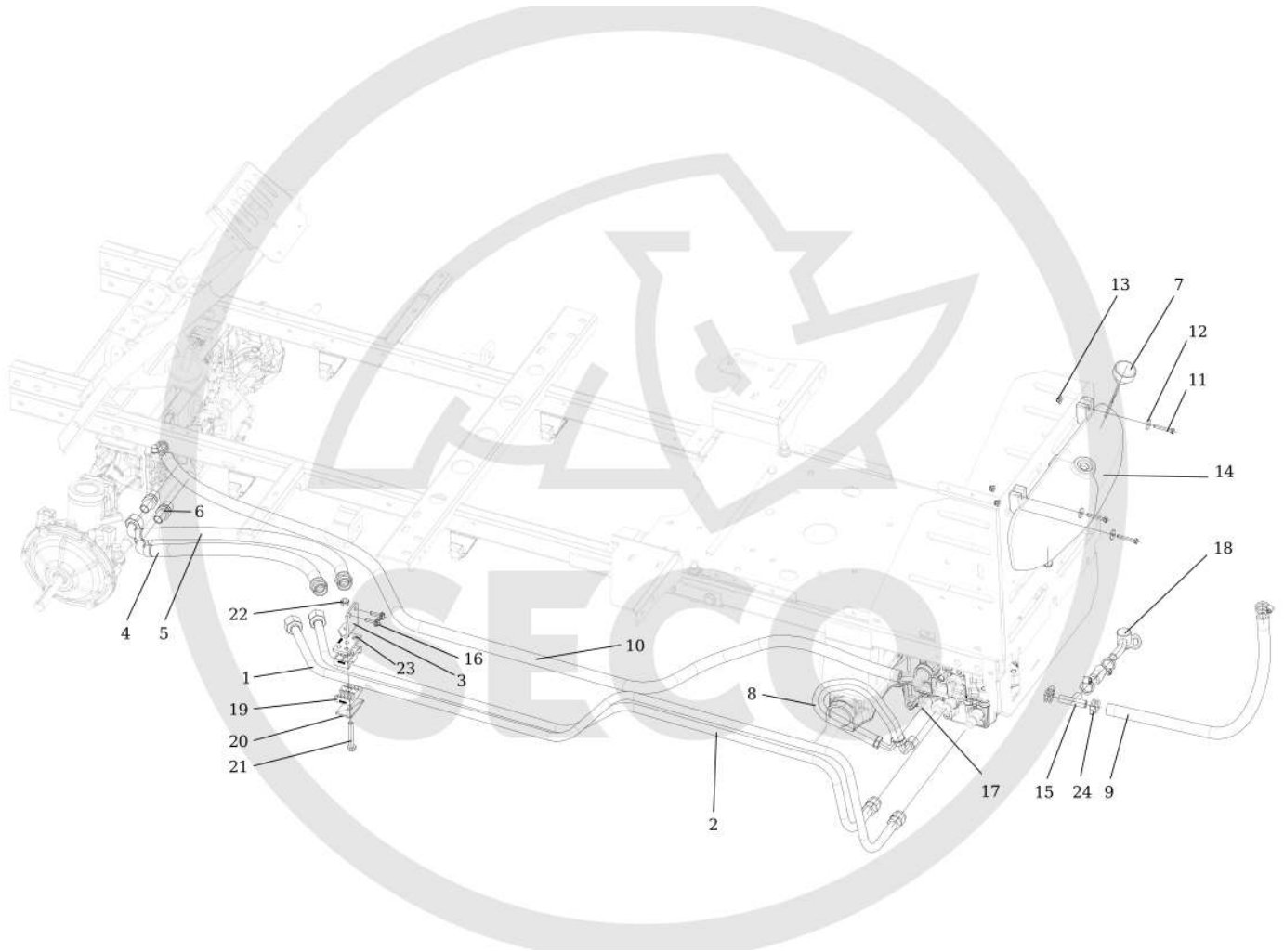
Goliath safety frame ROPS



ID	Name	Item code	No.	UOM	Price
1	ROPS base complete	S532985423933	1	KS	EUR /
2	Web ROPS right	S532985423913	1	KS	EUR /
3	Web ROPS left	S532985423903	1	KS	EUR /
4	ROPS folding frame	S532985423943	1	KS	EUR /
5	Handle left GC	S532013425913	1	KS	EUR /
6	Handle right GC	S532013425923	1	KS	EUR /
7	Pin ROPS complete	S532993463303	2	KS	EUR /
8	Screw M 8x65	N309503568	2	KS	EUR /
9	Screw M 10X25	N309503502	2	KS	EUR /
10	Nut M 10 DIN 6926 Zinc	N311129523	4	KS	EUR /
11	Screw M 10x70	N309503576	2	KS	EUR /
12	Nut M 10	N311129502	2	KS	EUR /
13	Screw M 8x50	N309503533	4	KS	EUR /
14	Screw M 8x45 8.8 A2L ISO 4762	N309543011	2	KS	EUR /
15	Washer 9 Zinc	N311212517	6	KS	EUR /
16	Flexible spindle 0-9245-233	N315238005	2	KS	EUR /
17	Screw M10X25KL100 Ripp. V. DACROM	N309578529	8	KS	EUR /
18	Nut M 8 DIN 6926 8 Zinc	N532150290	8	KS	EUR /
19	Tilt meter axial	S532086304103	1	KS	EUR /
20	Tilt meter cross	S532086304113	1	KS	EUR /
21	Label 0-8730-294 lengthwise	N283293016	1	KS	EUR /
22	Label 0-8730-295 cross	N283293017	1	KS	EUR /
23	SCREW M 6X16 DIN 7500D BN 3326	N309578517	1	KS	EUR /
24	Washer 6	N311214501	2	KS	EUR /
25	Spacer	S532095209023	1	KS	EUR /
26	Screw M 10x16 BN1206 10.9	N309578541	1	KS	EUR /
27	Sealing ring MVQ 15x4	N548712042	2	KS	EUR /

Model: KGC2A-17-0001
Group: KGC19-17-0001

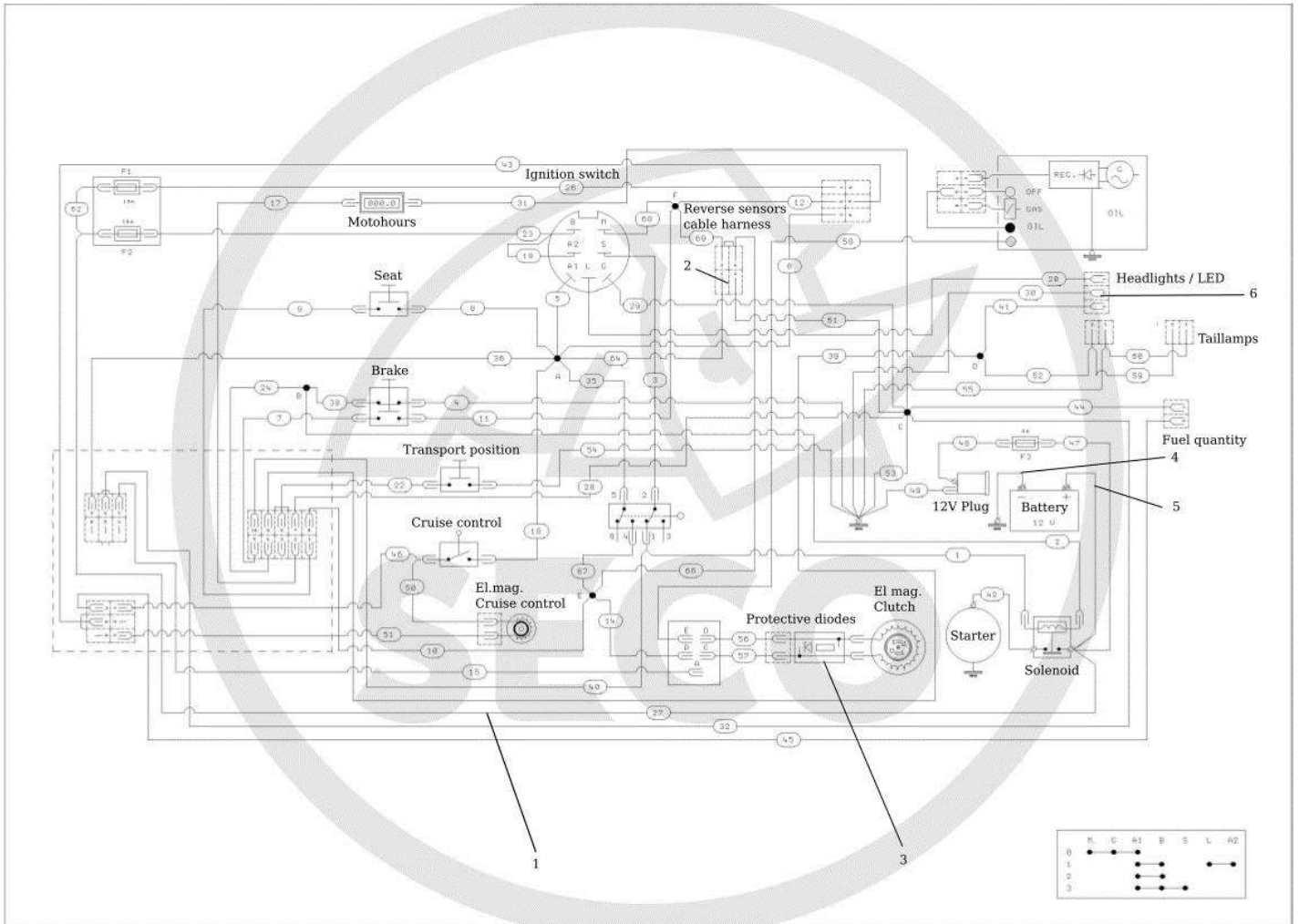
Goliath hydraulic distribution



ID	Name	Item code	No.	UOM	Price
1	Tube bottom compl. 9-7446-214	N532151272	1	KS	EUR /
2	Tube upper compl. 9-7446-215	N532151273	1	KS	EUR /
3	Tube holder	S532013425983	1	KS	EUR /
4	Hydraulic hose DN 12-500	N336631110	1	KS	EUR /
5	Hydraulich hose DN 12-520	N336631111	1	KS	EUR /
6	Throat XAL 15-3/4 UNF WD	N336681010	2	KS	EUR /
7	stop gap 1-9310-763	N532150766	1	KS	EUR /
8	Hydraulic hose DN10-580	N336631108	1	KS	EUR /
9	Hose exp. tank GC	S532082204263	1	KS	EUR /
10	Hose exp. GC	S532082204253	1	KS	EUR /
11	Screw M 5X35	N309203556	3	KS	EUR /
12	Washer 5.5 Zinc	N311212518	3	KS	EUR /
13	Nut M 5 DIN 6926 Zinc	N311129524	3	KS	EUR /
14	Tank 0-2766-217	N232130017	1	KS	EUR /
15	Clip TS 13	N532151101	1	KS	EUR /
16	SCREW M 6X16 DIN 7500D BN 3326	N309578517	2	KS	EUR /
17	Throat 9/16-18 UNF/M18x1.5DIN2353	N336681015	2	KS	EUR /
18	Throat 0-8247-203 cast compl.	N203801047	1	KS	EUR /
19	Tube holder double	N336681016	1	KS	EUR /
20	Covering board 2 M8 Zn DIN3015	N336681017	1	KS	EUR /
21	Screw M5x35	N309503556	1	KS	EUR /
22	Nut M 8 DIN 6926 8 Zinc	N532150290	1	KS	EUR /
23	Hard-surface board 2 M8 Zn	N336681018	1	KS	EUR /
24	Wire screw-in clip W19-22mm	N548241022	6	KS	EUR /

Model: KGC2A-17-0001
 Group: KGC20-15-0001

Goliath wiring diagram

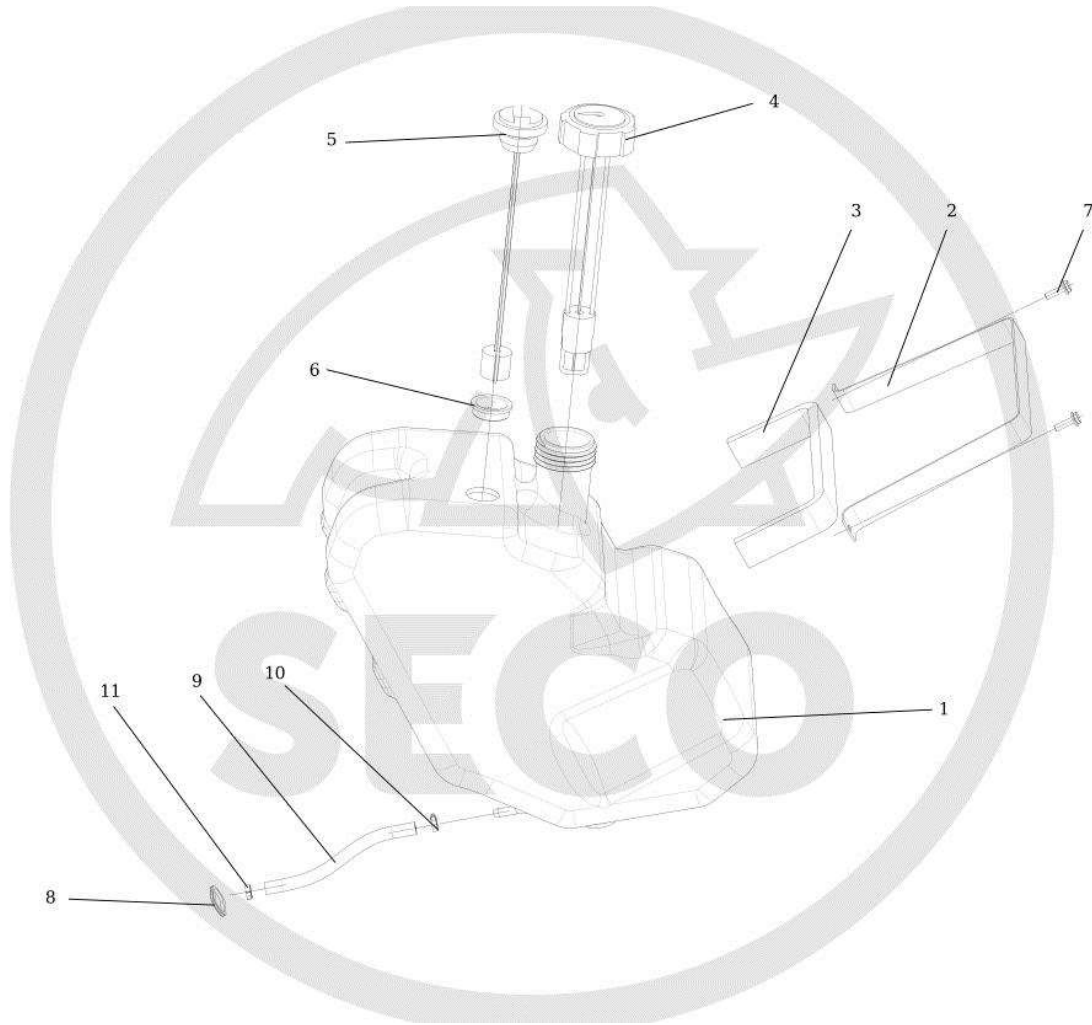




ID	Name	Item code	No.	UOM	Price
1	Wiring harness KS004076	N341271199	1	KS	EUR /
2	Switches harness KS 004081	N341271193	1	KS	EUR /
3	Protective diodes harness 9-8316-	N341271052	1	KS	EUR /
4	Conductor 9-8316-626 minus	N341271175	1	KS	EUR /
5	Conductor 9-8316-625 plus	N341271176	1	KS	EUR /
6	Wiring harness KS004054	N341271177	1	KS	EUR /

Model: KGC2A-17-0001
Group: KGC21-13-0001

Goliath fuel tank



ID	Name	Item code	No.	UOM	Price
1	Fuel tank 0-2766-221 GC	N232130022	1	KS	EUR /
2	Tank belt	S532013418183	1	KS	EUR /
3	Rubber belt L 400	S532092304283	1	KS	EUR /
4	Tank cap with fuel gauge L=10.5	N532151284	1	KS	EUR /
5	Reserve senzor E-Senzor 100	N443422005	1	KS	EUR /
6	Sealing Gromet 201428	N273192053	1	KS	EUR /
7	Screw M 6x20 DIN 7500	N309578538	2	KS	EUR /
8	Rubber sleeve 22X4	N273121029	1	KS	EUR /
10	Hose clip 8-12 Zinc	N548241017	1	KS	EUR /
11	Clip UM 5008	N000532058	1	KS	EUR /