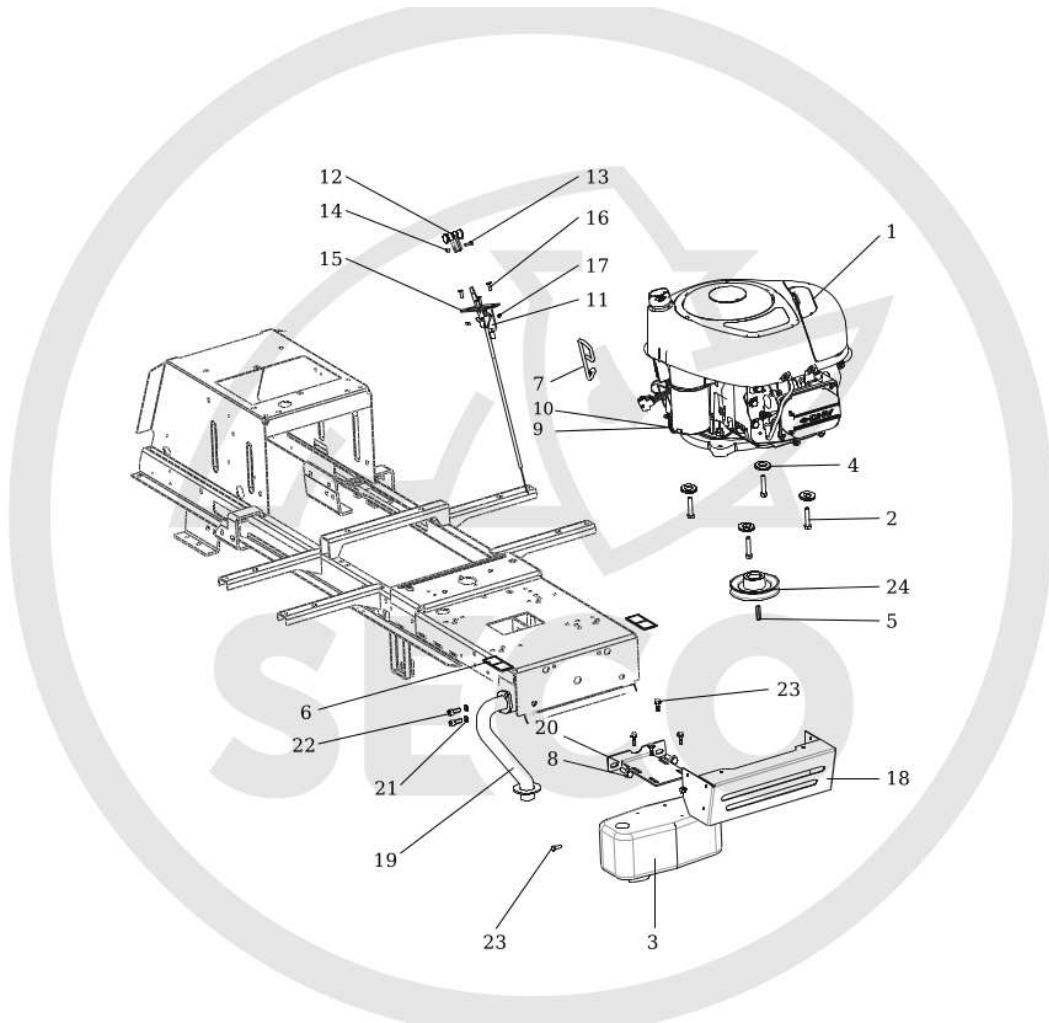


Obrázek není k  
dispozici



Model: KUJ4A-17-0001  
Group: KUJ01-15-0004

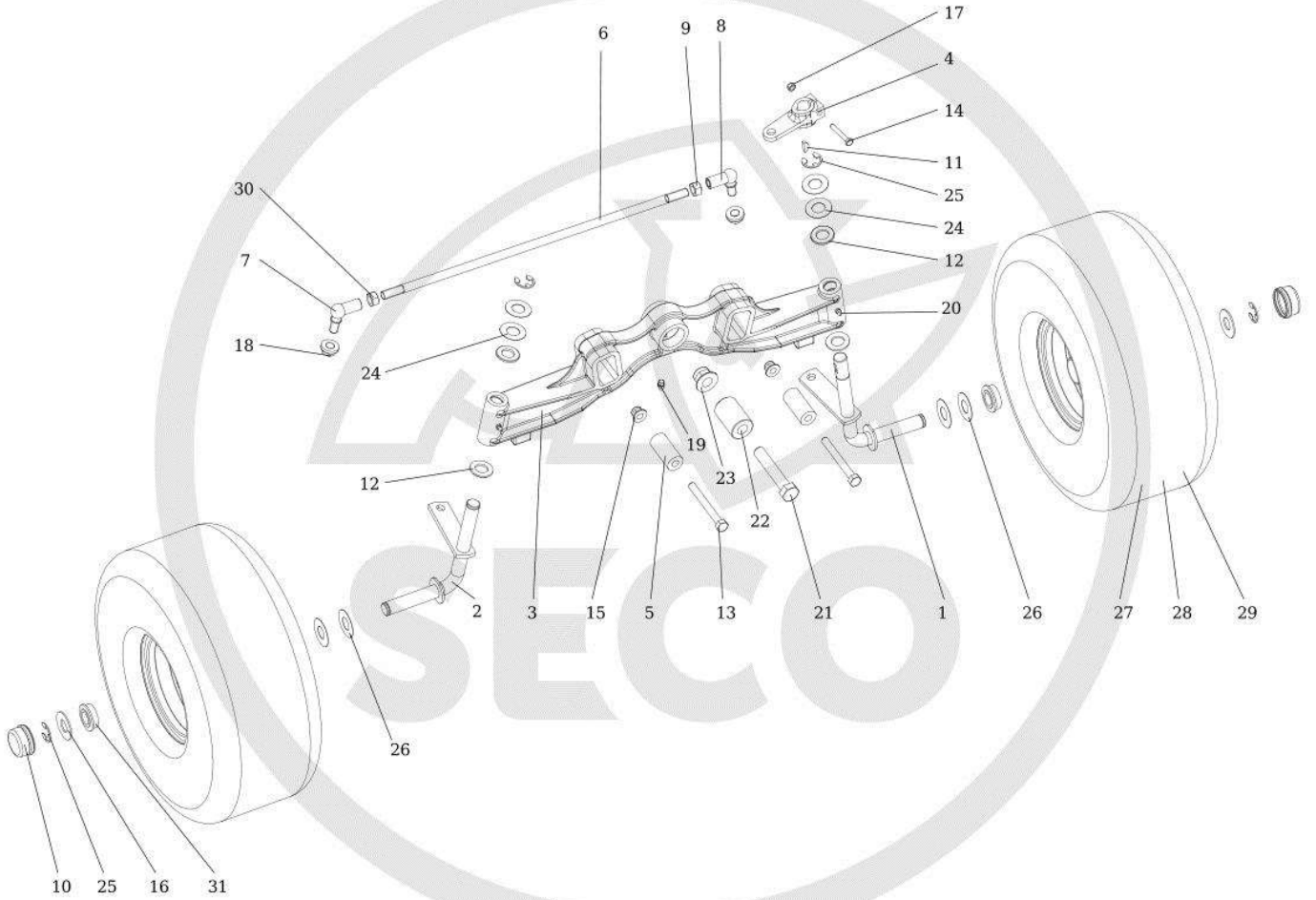
Engine 16HP Loncin Starjet UJ



ID	Name	Item code	No.	UOM	Price
1	Engine 16HP Loncin LC1P92F1	N482349032	1	KS	EUR /
2	Screw 3/8"X 1" hexagon Loncin	N309578548	3	KS	EUR /
3	Exhaust Nelson 24772 N	N443900118	1	KS	EUR /
4	Washer 10.5	N311214516	4	KS	EUR /
5	Key 0-9231-213	N311726101	1	KS	EUR /
6	Label 0-8732-337	N283292223	2	KS	EUR /
7	HOOK 0-9242-240	N532980071	1	KS	EUR /
8	Screw M 8x25 DIN 7500 D	N309578540	2	KS	EUR /
9	Hose with cap	N532151253	1	KS	EUR /
10	Reducer to engine	N532151254	1	KS	EUR /
11	Throttle lever 25-1105 9-8071-275	N000443001	1	KS	EUR /
12	Throttle lever 0-8060-244 black	N443900148	1	KS	EUR /
13	Screw M 4X14 021131.25	N309231535	1	KS	EUR /
14	Nut M4	N311129514	1	KS	EUR /
15	Reinforcement	S532080302873	1	KS	EUR /
16	Screw M 5X16	N309251515	4	KS	EUR /
17	Nut M5	N311129515	4	KS	EUR /
18	Exhaust cover UJ V1	S532085422133	1	KS	EUR /
19	Exhaust pipe 16HP Loncin UJ	S532927402113	1	KS	EUR /
20	Exhaust holder UJ	S532113402093	1	KS	EUR /
21	Washer 8	N311214502	3	KS	EUR /
22	Screw vyf.imbus 5/16x3/4 Unc Zinc	N309579502	3	KS	EUR /
23	SCREW M 6X16 DIN 7500D BN 3326	N309578517	8	KS	EUR /
24	Engine pulley 9-3325-295 K46	N532151345	1	KS	EUR /

Model: KIJ4A-17-0001  
Group: KIJ03-14-0001

Front axle UJ

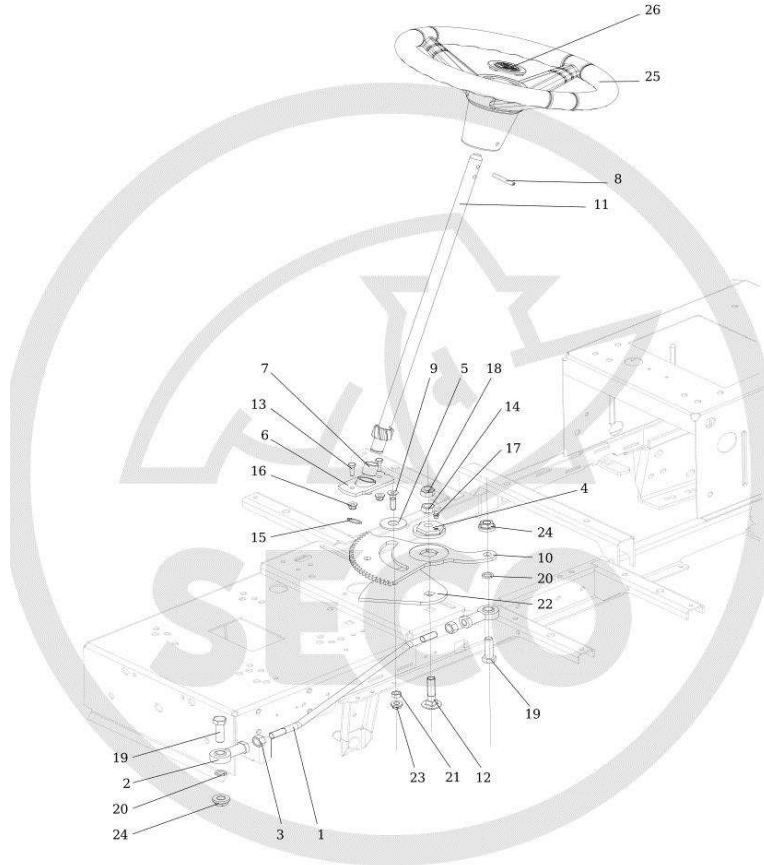


ID	Name	Item code	No.	UOM	Price
1	Pin left	S532916432143	1	KS	EUR /
2	Pin right	S532916432153	1	KS	EUR /
3	Axle	S532016542083	1	KS	EUR /
4	Lever	S532080503603	1	KS	EUR /
5	Spacer	S532195203533	2	KS	EUR /
6	Connecting rod 0-9010-572	N532151336	1	KS	EUR /
7	Angular joint 16 R DIN71802CS M12	N442073020	1	KS	EUR /
8	Angular joint 16 L DIN71802CS M12	N442073019	1	KS	EUR /
9	Nut M12 left	N311120539	1	KS	EUR /
10	Cover 0-8025-237	N532150915	2	KS	EUR /
11	Woodruff key 5e7X7.5	N311728003	1	KS	EUR /
12	Washer 19	N311210514	4	KS	EUR /
13	Screw M 10X80	N309501527	2	KS	EUR /
14	Screw M 6X40	N309203524	1	KS	EUR /
15	Nut M 10 DIN 6926 Zinc	N311129523	2	KS	EUR /
16	Washer	S532092208363	2	KS	EUR /
17	Nut M 6	N311129513	1	KS	EUR /
18	Nut M 12 DIN 6923 8 Zinc. toothed	N311129521	2	KS	EUR /
19	Lubricating head MK 8x1	N425111016	1	KS	EUR /
20	Lubricating head MK 6x1	N425111004	2	KS	EUR /
21	Screw M 8x90	N309501524	1	KS	EUR /
22	Pin	S532093202793	1	KS	EUR /
23	Nut M 16 DIN 6926	N311129527	1	KS	EUR /
24	Washer	S532092208383	4	KS	EUR /
25	Lock ring E-75 3/4	N311732023	4	KS	EUR /
26	Washer	S532092208153	6	KS	EUR /
	Wheel front 16x6.5-8 Grassmaster	N532940164	2	KS	EUR /
28	Wheel disc front 5.50AX8H2 OTR 20	N325111024	2	KS	EUR /
29	Tyre front 16/6,5x8 Multi trac	N274161023	2	KS	EUR /
30	Nut M 12	N311120504	1	KS	EUR /
31	Front wheel bearing 3/4 Compensa	N324196019	4	KS	EUR /

Model: KUJ4A-17-0001

Group: KUJ05-14-0001

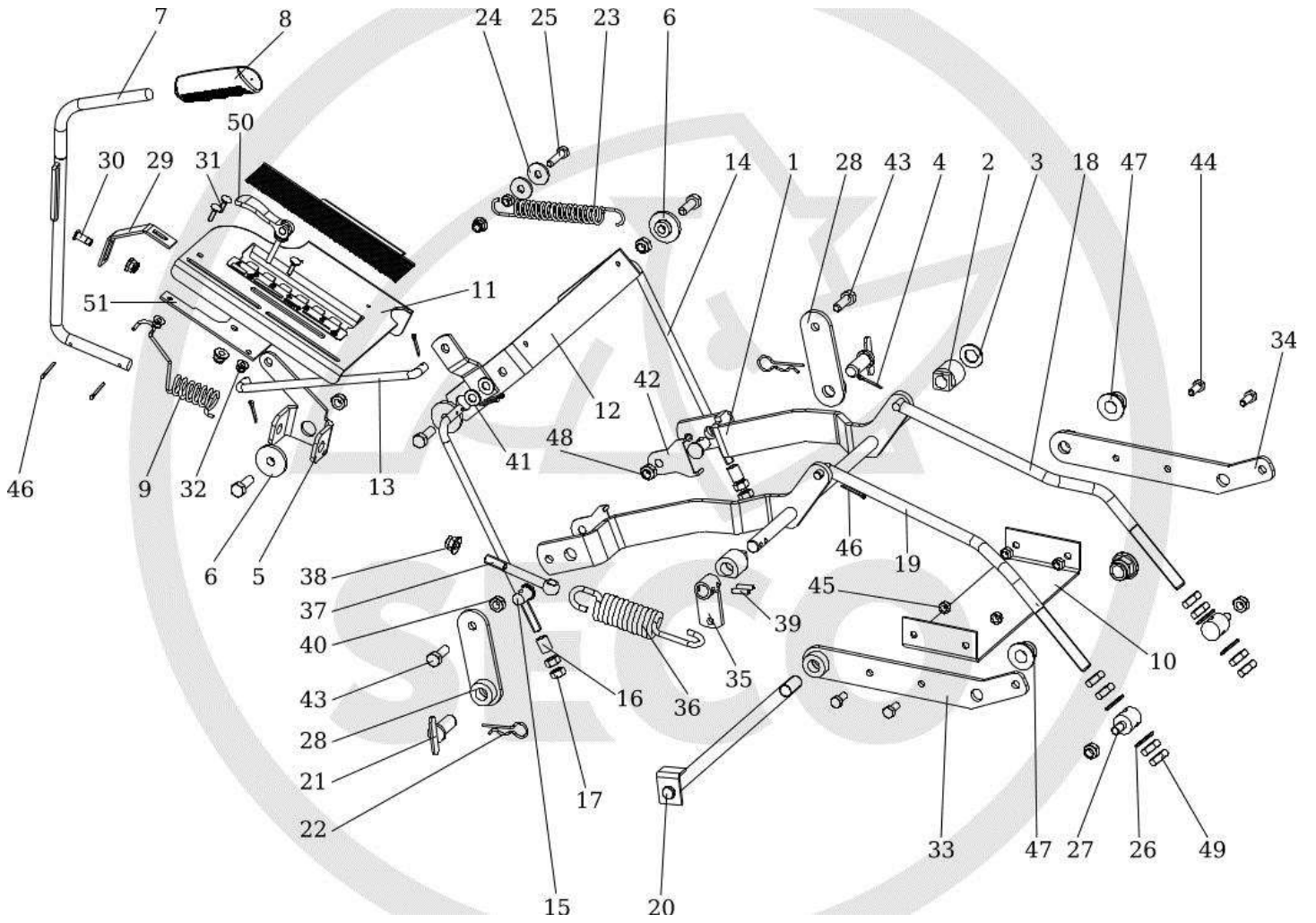
Steering UJ102



ID	Name	Item code	No.	UOM	Price
1	Steering rod 0-8041-338	N532151347	1	KS	EUR /
2	Joint head PHS 12 CN	N442073028	2	KS	EUR /
3	Nut M 12	N311150505	2	KS	EUR /
4	Eccentric	S532080272033	1	KS	EUR /
5	Spacer	S532195202593	1	KS	EUR /
6	Bearing	S532938542103	1	KS	EUR /
7	Bushing 1920 KU	N323721002	1	KS	EUR /
8	Spring pin 6x45	N315238031	1	KS	EUR /
9	Screw M 8x35 DIN 7991 10.9 Zinc	N309578534	1	KS	EUR /
10	Toothed Segment	S532033322453	1	KS	EUR /
11	Pinion compl.	S532930252043	1	KS	EUR /
12	Screw M 12X55.8.8 A3L ISO 8677	N309019522	1	KS	EUR /
13	Screw M 6X20	N309503548	2	KS	EUR /
14	Nut M 12	N311129505	1	KS	EUR /
15	Lock ring 19	N311733607	1	KS	EUR /
16	Nut M 6 DIN 6926	N311129525	2	KS	EUR /
17	Lubricating head MK 6x1	N425111004	1	KS	EUR /
18	Nut M 12	N311150505	1	KS	EUR /
19	Screw M12X40	N309503505	2	KS	EUR /
20	Washer 12	N311214504	2	KS	EUR /
21	Nut M 8	N311150503	1	KS	EUR /
22	WASHER	S532113326353	1	KS	EUR /
23	Nut M8 DIN 6923 8 Zinc. toothed	N311129520	1	KS	EUR /
24	Nut M 12 DIN 6923 8 Zinc. toothed	N311129521	2	KS	EUR /
25	Steering wheel 0-8020-201 UJ2014	N443821011	1	KS	EUR /
26	Steering-wheel cover 0-8516-201	N532151344	1	KS	EUR /

Model: KIJ4A-17-0001  
Group: KIJ06-15-0002

Starjet mowing lifting



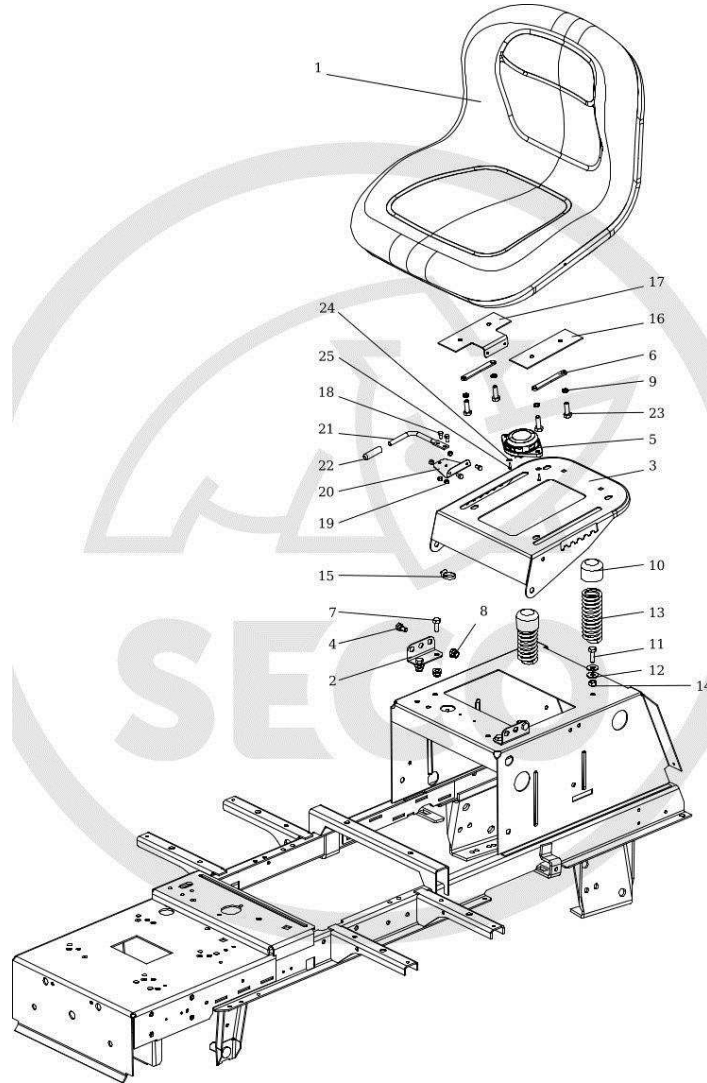


ID	Name	Item code	No.	UOM	Price
1	Lifting arms UJ	S532980508293	1	KS	EUR /
2	Case 0-9462-203	N722643024	1	KS	EUR /
3	Washer 17	N311210507	1	KS	EUR /
4	Spindle 3.2x25	N311338517	2	KS	EUR /
5	Lever holder	S532113415563	1	KS	EUR /
6	WASHER	S532092212293	3	KS	EUR /
7	Lifting lever	S532980412183	1	KS	EUR /
8	Handrail 0-8832-202	N532151357	1	KS	EUR /
9	Spring 0-9746-504 lifting	N315231265	1	KS	EUR /
10	Holder	S532080503673	1	KS	EUR /
11	Lifting segment	S532113425423	1	KS	EUR /
12	Lifting holder	S532913413323	1	KS	EUR /
13	Lifting rod 0-8041-201 UJ	N532151358	1	KS	EUR /
14	Lifting rod 0-8041-346	N532151359	2	KS	EUR /
15	Pin	S532090162073	2	KS	EUR /
16	Spacer	S532095213823	2	KS	EUR /
17	Nut M 10	N311150506	4	KS	EUR /
18	Lifting tie-rod L	S532980422503	1	KS	EUR /
19	Lifting tie-rod R	S532980422493	1	KS	EUR /
20	Lifting shaft UJ	S532938122583	1	KS	EUR /
21	Pin complete	S532993462343	2	KS	EUR /
22	Flexible spindle 0-9245-999	N315238003	2	KS	EUR /
23	Spring 0-9746-460	N315231193	1	KS	EUR /
24	Washer 9 Zinc	N311212508	2	KS	EUR /
25	Screw M 8X35	N309503543	1	KS	EUR /
26	Washer 10.5	N311210504	4	KS	EUR /
27	Screw	S532090162063	2	KS	EUR /
28	Lifting arm	S532980322193	2	KS	EUR /
29	Lifting segment brace	S532013418233	1	KS	EUR /
30	Screw M 8X20 BN 1206	N309578535	1	KS	EUR /
31	Screw M6X16	N309019507	1	KS	EUR /
32	Nut M 6 DIN 6926	N311129525	1	KS	EUR /
33	Lifting arm R	S532980508313	1	KS	EUR /
34	Lifting arm L	S532980508303	1	KS	EUR /
35	Lifting arm spring	S532980365413	1	KS	EUR /
36	Spring 0-9746-507 Lifting	N315231269	1	KS	EUR /
37	Screw M 10x90 DIN 444-4.6	N309510001	1	KS	EUR /
38	Nut M 10 DIN 6926 Zinc	N311129523	1	KS	EUR /
39	Spring pin 6x25	N315238013	3	KS	EUR /
40	Nut M 14	N311120542	8	KS	EUR /
41	Washer 15	N311210511	4	KS	EUR /
42	Holder of lifting pin	S532113402103	2	KS	EUR /
43	Screw M 8X30	N309503515	5	KS	EUR /

44	Screw M8X20	N309503518	6	KS	EUR /
45	Nut M 8	N311129501	7	KS	EUR /
46	Spindle 3.2x20	N311338516	6	KS	EUR /
47	Nut M 16 DIN 6926	N311129527	3	KS	EUR /
48	Nut M 8 DIN 6926 8 Zinc	N532150290	2	KS	EUR /
49	Nut M 10	N311129502	7	KS	EUR /
50	Excentric lever 04232-211108x30	N532151360	1	KS	EUR /
51	Lifting backstop	S532013322013	1	KS	EUR /

Model: KUJ4A-17-0001  
Group: KUJ11-15-0001

Starjet Hood nr.1 UJ

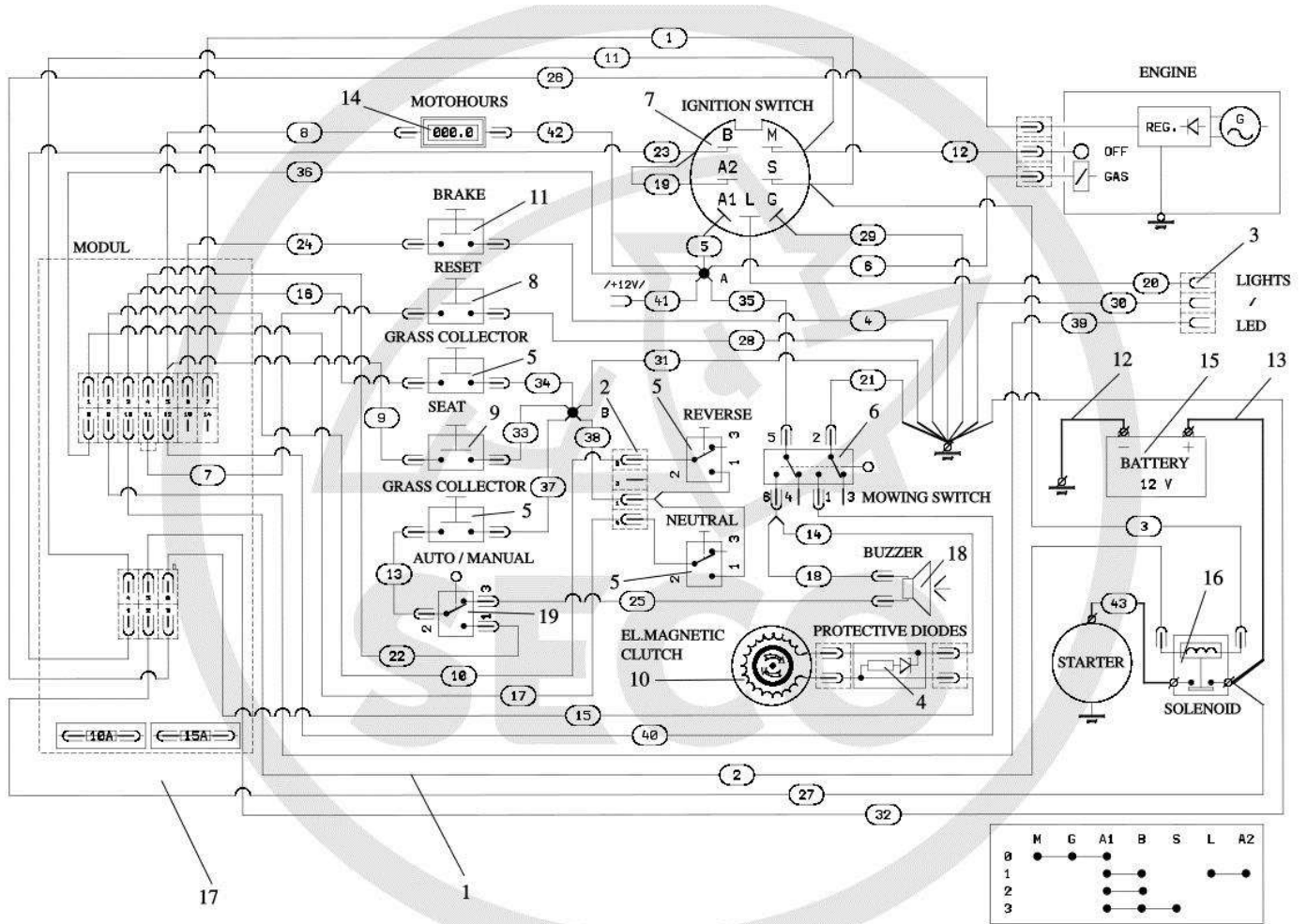


ID	Name	Item code	No.	UOM	Price
1	Seat COBO PS 48 E 8098.017	N532150891	1	KS	EUR /
2	Carrier holder	S532113402403B	2	KS	EUR /
3	Seat carrier	S532018474683	1	KS	EUR /
4	Carrier screw 0-9016-427	N309599012	2	KS	EUR /
5	Microswitch 6520 Delta	N345359005	1	KS	EUR /
6	Distance washer	S532092322053	2	KS	EUR /
7	Screw M8X20	N309503518	4	KS	EUR /
8	Nut M 8 DIN 6926 8 Zinc	N532150290	6	KS	EUR /
9	Washer 8	N311214502	4	KS	EUR /
10	Cover 38/A PVC Black	N532150208	2	KS	EUR /
11	Screw M 8X25	N309503512	2	KS	EUR /
12	Washer 9 Zinc	N311212517	4	KS	EUR /
13	Spring 0-9746-441	N315231274	2	KS	EUR /
14	Nut M 8	N311129501	2	KS	EUR /
15	Clip WSBH 1-0-1	N532150211	1	KS	EUR /
16	Seat holder	S532113302013	1	KS	EUR /
17	Seat holder	S532113402073	1	KS	EUR /
18	Screw M 5x10	N309203545	4	KS	EUR /
19	Nut M5	N311129515	4	KS	EUR /
20	Seat spring	S532097402283	1	KS	EUR /
21	Seat tie rod 0-8043-310	N532151356	1	KS	EUR /
22	Cover 8X40 Vinyl-Flex black	N532150209	1	KS	EUR /
23	Screw M 8x25 DIN 7500 D	N309578540	4	KS	EUR /
24	Washer 4.3	N311212515	2	KS	EUR /
25	Screw ST 4.2x16 BN 1880	N309315015	2	KS	EUR /

Model: KUJ4A-17-0001

Group: KUJ13-15-0001

Starjet electrical installation

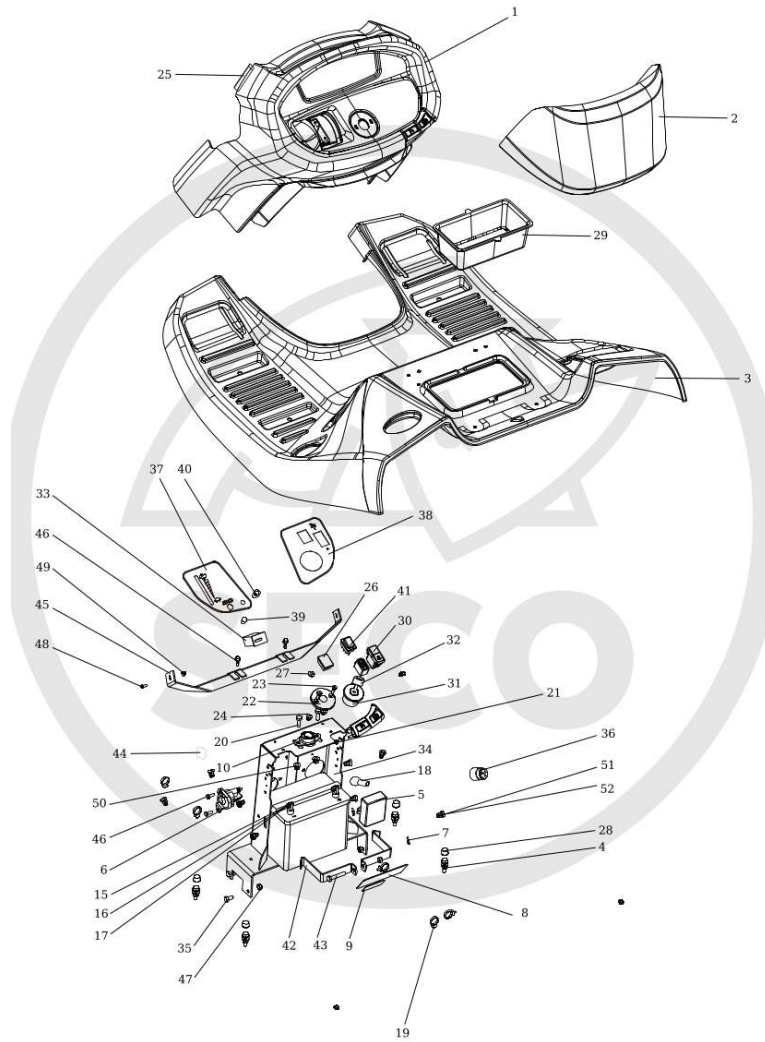


ID	Name	Item code	No.	UOM	Price
1	Wiring harness KS 004067	N341271186	1	KS	EUR /
2	Switches harness KS 004081	N341271193	1	KS	EUR /
3	Light harness 9-8316-623	N341271169	1	KS	EUR /
4	Protective diodes harness 9-8316-	N341271052	1	KS	EUR /
5	Microswitch MKH 12 D 13-S1	N345359004	4	KS	EUR /
6	Switch VDD2S001 9ZZCR 100	N345329023	1	KS	EUR /
7	Switch box Delta 6900-47 P	N443861007	1	KS	EUR /
8	Switch 1932.3413	N345329025	1	KS	EUR /
9	Microswitch 6520 Delta	N345359005	1	KS	EUR /
10	Elmag. clutch I-5217-38	N532151196	1	KS	EUR /
11	Switch DELTA 6700-01B	N532150994	1	KS	EUR /
12	Cable 9-8316-570	N341271021	1	KS	EUR /
13	Cable 9-8316-624 solenoid+battery	N341271172	1	KS	EUR /
14	Hour-meter SEN DEC DIGITAL	N443433003	1	KS	EUR /
15	Battery 12V-24Ah dry,charged	N346211006	1	KS	EUR /
16	Solenoid Trombetta 764-1221-210	N532151619	1	KS	EUR /
17	Module KS 004062 AJ06/14	N341271187	1	KS	EUR /
18	Buzzer PF 27 A 29 EP	N443312021	1	KS	EUR /
19	Contact	N345329017	1	KS	EUR /

Model: KUJ4A-17-0001

Group: KUJ15-17-0001

Starjet panel UJ 2017 - Efcó



ID	Name	Item code	No.	UOM	Price
1	Panel 0-8048-835 Model 2017	N532151572	1	KS	EUR /
2	Battery cover 0-8547-230 UJ	N532151573	1	KS	EUR /
3	Floor 9-1847-223 Model 2017	N532151574	1	KS	EUR /
4	Screw M 8X30 DIN 6921 8.8 Zinc	N309578012	4	KS	EUR /
5	Module KS 004062 AJ06/14	N341271187	1	KS	EUR /
6	Solenoid Trombetta 764-1221-210	N532151619	1	KS	EUR /
7	Rivet 282702	N532151116	2	KS	EUR /
8	Label 0-8732-336	N283292228	1	KS	EUR /
9	Label 0-8732-220 slope 12	N283293023	1	KS	EUR /
10	Ball BEARING FL M12	N324196022	1	KS	EUR /
11	Not used in this performance	NK00000000	1	KS	EUR /
12	Not used in this performance	NK00000000	1	KS	EUR /
13	Not used in this performance	NK00000000	1	KS	EUR /
14	Not used in this performance	NK00000000	1	KS	EUR /
15	Screw M 6X20	N309503548	2	KS	EUR /
16	Washer 6.4	N311210502	2	KS	EUR /
17	Nut M 6	N311129513	2	KS	EUR /
18	Cover 273 125 020 050	N273125006	2	KS	EUR /
19	Clip WSBH 1-0-1	N532150211	9	KS	EUR /
20	Screw M 8X25	N309503512	2	KS	EUR /
21	Screw M 5x12 DIN 7500D BN3326	N309578544	1	KS	EUR /
22	Steering wheel bushing 0-1652-226	N321841069	1	KS	EUR /
23	Screw M 6X25 DIN7991 10.9 Zinc	N309578503	2	KS	EUR /
24	Nut M 6 DIN 6926	N311129525	2	KS	EUR /
25	Braid	S532096342193	2	KS	EUR /
26	Blind flange VL 35X25X1-3 black	N321841085	1	KS	EUR /
27	Ring 26x2	N273111038	1	KS	EUR /
28	Screw cover MOSS 463638	N532151032	4	KS	EUR /
29	Case 0-8642-236	N532151194	1	KS	EUR /
30	Switch VDD2S001 9ZZCR 100	N345329023	1	KS	EUR /
31	Switch box Delta 6900-47 P	N443861007	1	KS	EUR /
32	Starting key DELTA 688P-001	N443900137	1	SD	EUR /
33	Hour-meter SEN DEC DIGITAL	N443433003	1	KS	EUR /
34	Steering column UJ	S532916422013	1	KS	EUR /
35	Screw M 8X16	N309503517	4	KS	EUR /
36	Buzzer PF 27 A 29 EP	N443312021	1	KS	EUR /
37	Label 1-8732-491 Export2016 L	N283293260	1	KS	EUR /
38	Label 1-8732-489 Export 2016R	N283293257	1	KS	EUR /
39	Blind flange BS 11/15 black	N321841082	1	KS	EUR /
40	Light indicator KS004074	N443312023	1	KS	EUR /
41	Switch 1932.3413	N345329025	1	KS	EUR /
42	BATTERY HOLDER	S532113425353	2	KS	EUR /
43	Screw M8x45	N309503559	1	KS	EUR /

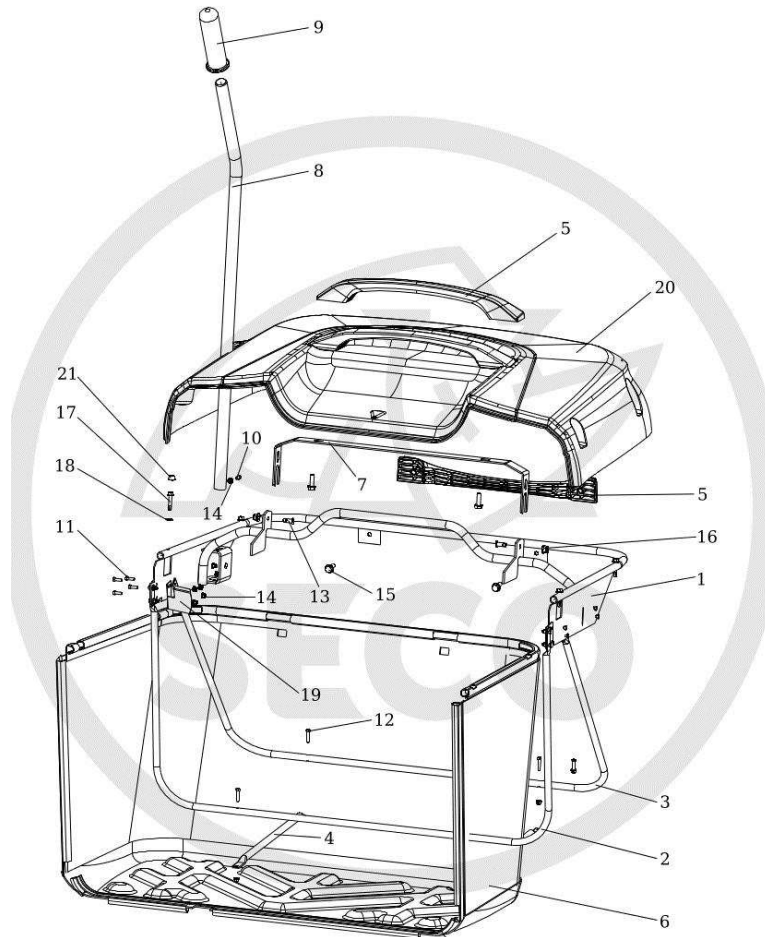


44	Blind flange G 20X15 (europlast)	N321841093	2	KS	EUR /
45	Dash-board holder	S532113422063	1	KS	EUR /
46	SCREW M 6X16 DIN 7500D BN 3326	N309578517	4	KS	EUR /
47	Nut M 8	N311129501	5	KS	EUR /
48	Screw M 5x16 ISO 7380 8.8	N309578532	4	KS	EUR /
49	Nut M 5 DIN 6926 Zinc	N311129524	4	KS	EUR /
50	Nut M 8 DIN 6926 8 Zinc	N532150290	6	KS	EUR /
51	Seating D7-201-802-010	N532150903	8	KS	EUR /
52	Pin D7-201-711-010	N532150904	8	KS	EUR /

Model:  
Group:

KUJ4A-17-0001  
KUJ16-15-0005

Grass collector Starjet UJ 320I

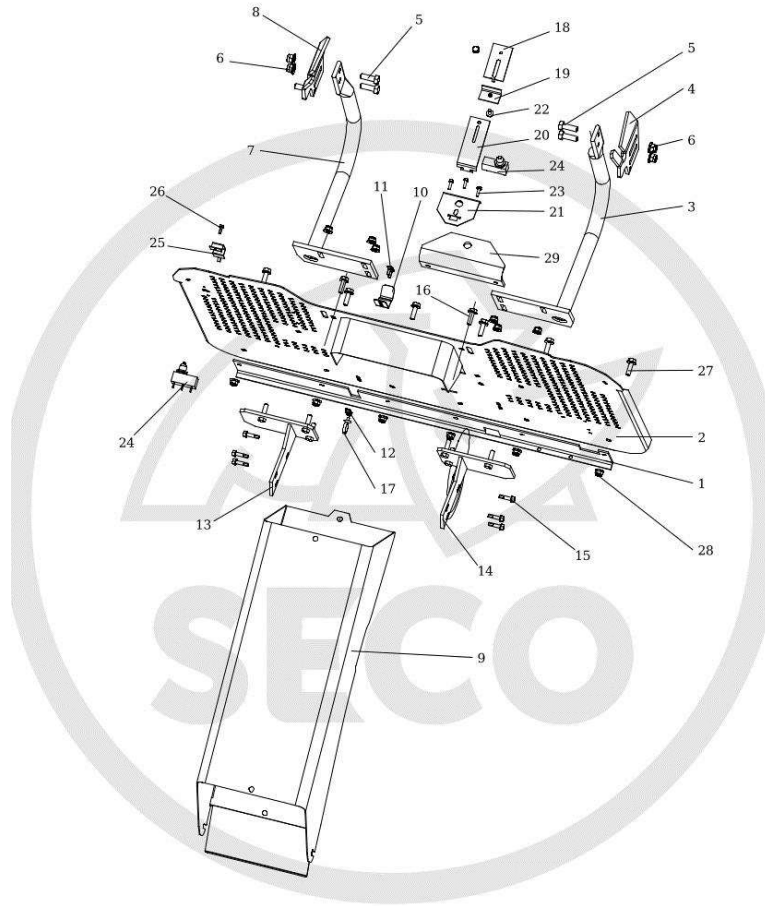


ID	Name	Item code	No.	UOM	Price
1	Frame upper UJ	S532974472093	1	KS	EUR /
2	Tube front	S532074442263	1	KS	EUR /
3	Tube rear	S532074442283	1	KS	EUR /
4	Tube connecting	S532074262143	2	KS	EUR /
5	Handle compl. 9-1346-201	N532151371	2	KS	EUR /
6	Grass bag 9-7432-204	N532151372	1	KS	EUR /
7	Reinforcement	S532015408543	1	KS	EUR /
8	Lever Dumping	S532074202013	1	KS	EUR /
9	Handle MOSS 10189	N532151120	1	KS	EUR /
10	Screw M 5X12	N309203548	1	KS	EUR /
11	Screw M 5X16	N309203539	10	KS	EUR /
12	Screw M 5X25	N309203557	4	KS	EUR /
13	Screw M 8X20 BN 1206	N309578535	2	KS	EUR /
14	Nut M 5 DIN 6926 Zinc	N311129524	15	KS	EUR /
15	Screw M 8x35 KL 100 RIPP Zinc	N309578547	4	KS	EUR /
16	Nut M 8 DIN 6926 8 Zinc	N532150290	2	KS	EUR /
17	Screw ST 6.3X32 DIN 7504 K	N309315013	4	KS	EUR /
18	Washer rubber 6.4x14x1.2	N273192056	4	KS	EUR /
19	Grass box-spring Snapper	S532097402233	1	KS	EUR /
20	Grass box cover 0-7447-219 UJ/Ema	N532151389	1	KS	EUR /
21	Cap 035 0612 220 03 Dual	N532151425	4	KS	EUR /

Model: KUJ4A-17-0001

Group: KUJ17-15-0001

Stajet tunnel UJ

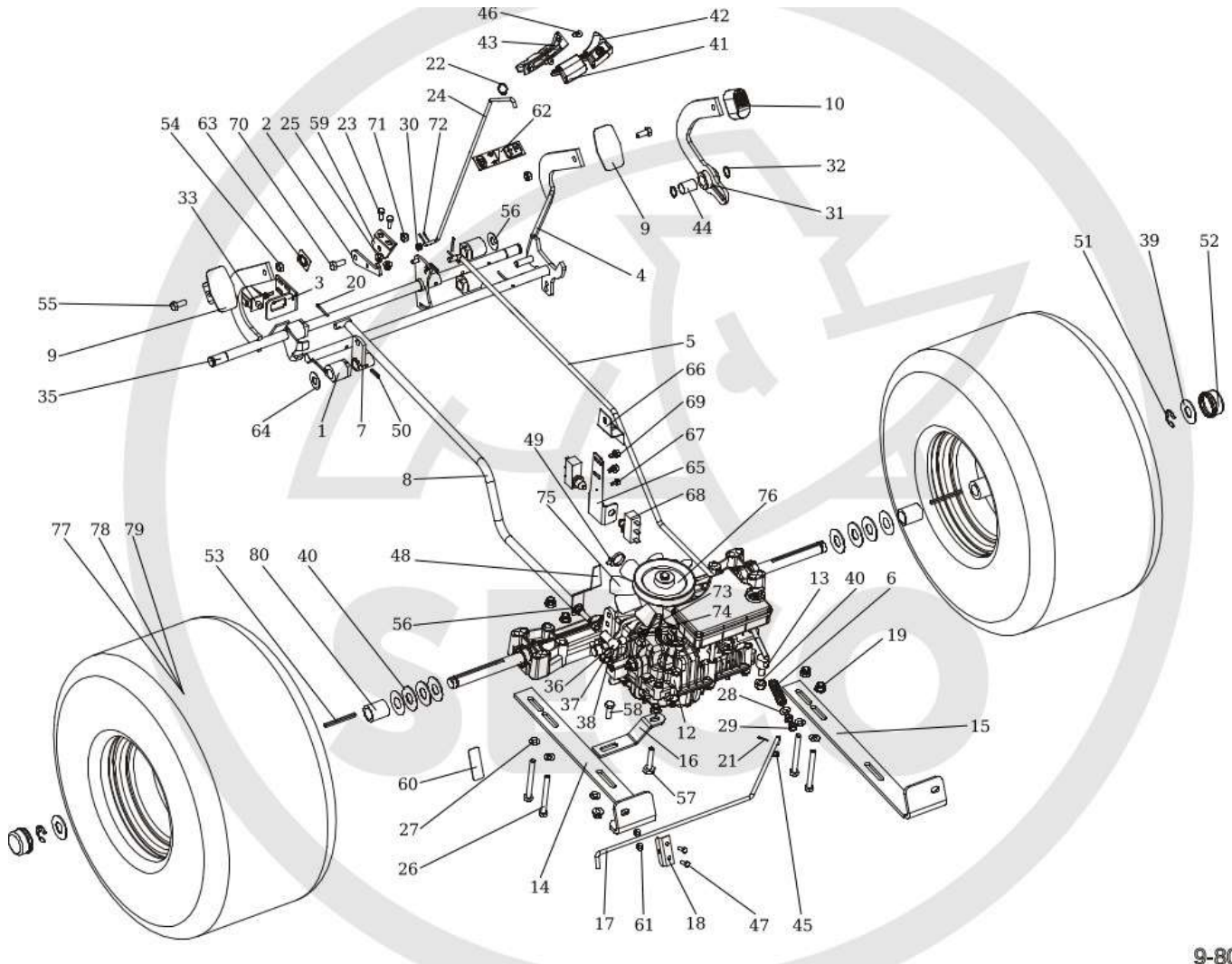


ID	Name	Item code	No.	UOM	Price
1	Reinforcement	S532113403233	1	KS	EUR /
2	Board complete UJ/Emak	S532974422273	1	KS	EUR /
3	Holder left UJ	S532974432523	1	KS	EUR /
4	LEFT HOLDER	S532913369663	1	KS	EUR /
5	Screw M 10X30	N309503510	4	KS	EUR /
6	Nut M 10 DIN 6926 Zinc	N311129523	4	KS	EUR /
7	Holder right UJ	S532974432513	1	KS	EUR /
8	RIGHT HOLDER AJ92	S532913369653	1	KS	EUR /
9	Discharge tunnel UJ102	S532974472723	1	KS	EUR /
10	Spring	S532097464993	1	KS	EUR /
11	Screw M 5X16 Zinc	N309019514	2	KS	EUR /
12	Nut M 5 DIN 6926 Zinc	N311129524	2	KS	EUR /
13	Plate holder right	S532913405713	1	KS	EUR /
14	Plate holder left	S532913405723	1	KS	EUR /
15	Screw ST 6.3X25 DIN7504-K BN1880	N309315017	6	KS	EUR /
16	Screw M 8X25 KL 100 RIPP V Zinc	N309503005	2	KS	EUR /
17	Clip WSBH 1-0-1	N532150211	3	KS	EUR /
18	Plug plate	S532114302043	1	KS	EUR /
19	Holder	S532113408353	1	KS	EUR /
20	Plug plate	S532014417343	1	KS	EUR /
21	Plug plate	S532014417353	1	KS	EUR /
22	Screw M 6x10 KL 100 RIPP Zinc	N309503579	2	KS	EUR /
23	Screw M 6x10 DIN 7500 D	N309578545	3	KS	EUR /
24	Microswitch MKH 12 D 13-S1	N345359004	2	KS	EUR /
25	Switch cover	S532085415813	1	KS	EUR /
26	Screw M 5x12 DIN 7500D BN3326	N309578544	1	KS	EUR /
27	Screw M 8X25 DIN 6921 8.8 Zinc	N309578011	6	KS	EUR /
28	Nut M 8 DIN 6926 8 Zinc	N532150290	12	KS	EUR /
29	Tow hitch	S532113402453	1	KS	EUR /

Model: KUJ4A-17-0001

Group: KUJ18-17-0001

Drive and brake control UJ-K46



ID	Name	Item code	No.	UOM	Price
1	Case 0-9462-203	N722643024	4	KS	EUR /
2	Latch	S532037322233	1	KS	EUR /
3	Switch holder	S532113408253	1	KS	EUR /
4	Travel lever UJ	S532980442663	1	KS	EUR /
5	Brake rod 0-8041-340 K46	N532151364	1	KS	EUR /
6	Spring TLZ 250.150.0530 Zinc	N315231240	1	KS	EUR /
7	Arm complete	S532980364823	1	KS	EUR /
8	Travel tie-rod K46	S532980422483	1	KS	EUR /
9	Foot pedal plastic 0-8051-202	N532151568	2	KS	EUR /
10	Pedal cover 0-8832-234	N273151013	1	KS	EUR /
11	Not used in this performance	NK00000000	1	KS	EUR /
12	Transmission K46 Tuff Torq	N532991052	1	KS	EUR /
13	Screw	S532090164473	1	KS	EUR /
14	Plate holder left	S532113408693	1	KS	EUR /
15	Plate holder right	S532113408703	1	KS	EUR /
16	Gear-box holder K46/K62 UJ	S532113412043	1	KS	EUR /
17	Bypass rod 0-8045-251	N532150724	1	KS	EUR /
18	Holder	S532113403913	1	KS	EUR /
19	Nut M 8 DIN 6926 8 Zinc	N532150290	7	KS	EUR /
20	Spindle 3.2x25	N311338517	5	KS	EUR /
21	Spindle 3.2x20	N311338516	1	KS	EUR /
22	Lock ring 14	N311733004	1	KS	EUR /
23	Screw M 5X16	N309203539	2	KS	EUR /
24	Ratchet rod 0-8042-273	N532151365	1	KS	EUR /
25	Nut M 5 DIN 6926 Zinc	N311129524	2	KS	EUR /
26	Screw M8x80	N309501571	4	KS	EUR /
27	Washer 8.4	N311210503	7	KS	EUR /
28	Washer 9 Zinc	N311212517	1	KS	EUR /
29	Nut M 8	N311120520	2	KS	EUR /
30	Washer 5.3	N311210501	2	KS	EUR /
31	Reverse pedal UJ	S532980463483	1	KS	EUR /
32	Ring 16	N311733006	2	KS	EUR /
33	Seat switch Delta 6440-04	N000532079	1	KS	EUR /
34	Brake foot complete	S532980365403	1	KS	EUR /
35	Brake pedal UJ	S532980442653	1	KS	EUR /
36	Spherical pin 13 DIN 71803 C Zinc	N442073017	1	KS	EUR /
37	Nut M8 DIN 6923 8 Zinc. toothed	N311129520	1	KS	EUR /
38	Safety U-strap 13 DIN 71805 S Zin	N442073018	1	KS	EUR /
39	Washer	S532092208153	6	KS	EUR /
40	Nut M 10	N311129502	1	KS	EUR /
41	Cruise control plug 0-8066-201	N321841094	1	KS	EUR /
42	Parking lever 0-8066-202	N443900150	1	KS	EUR /
43	Lever holder 0-8066-204	N443900151	1	KS	EUR /

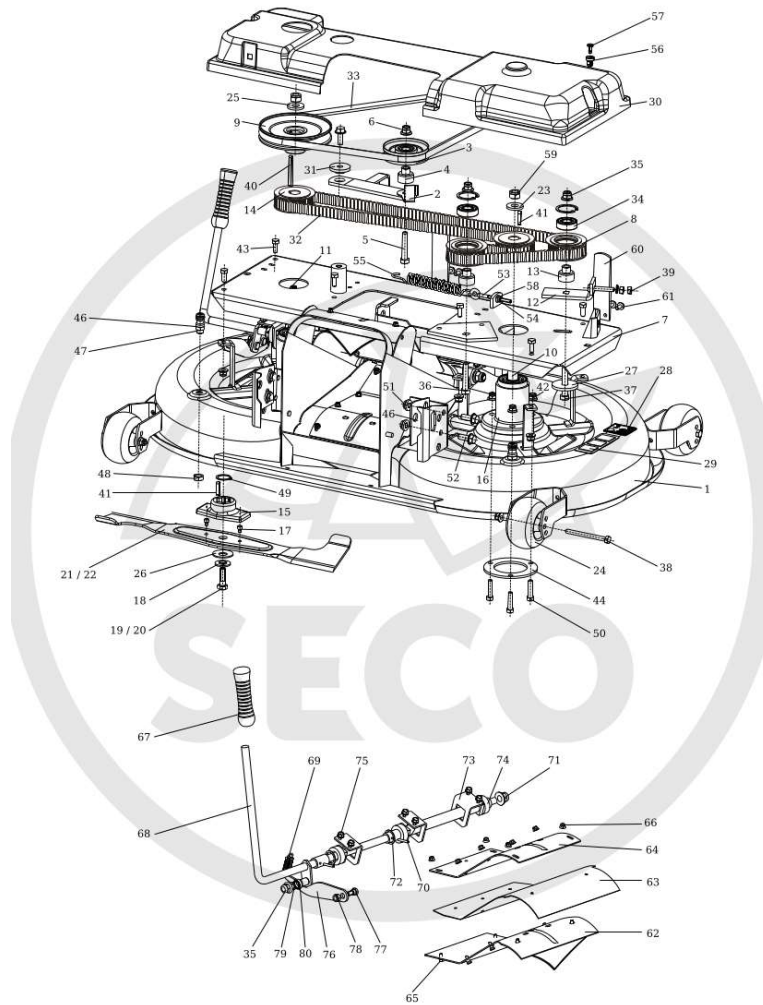
44	Bushing 1625 KU	N323721006	1	KS	EUR /
45	Washer 6.4	N311210502	1	KS	EUR /
46	Screw M 5x25 DIN7991 10.9 Zinc	N309578510	2	KS	EUR /
47	Screw M 5x12 DIN 7500D BN3326	N309578544	2	KS	EUR /
48	Reset spring	S532097412053	1	KS	EUR /
49	Clip WSBH 1-0-1	N532150211	1	KS	EUR /
50	Spring Pin 5X22	N315238037	2	KS	EUR /
51	Lock ring E-75 3/4	N311732023	2	KS	EUR /
52	Cover 0-8025-237	N532150915	2	KS	EUR /
53	Key 0-9231-216	N311726099	2	KS	EUR /
54	Nut M 6 DIN 6926	N311129525	5	KS	EUR /
55	Screw M 6X20	N309503548	5	KS	EUR /
56	Washer 17	N311210507	2	KS	EUR /
57	Screw M8x45	N309503559	1	KS	EUR /
58	Screw M 8X25	N309503512	1	KS	EUR /
59	Ratchet holder	S532113408683	1	KS	EUR /
60	Label 0-8732-311	N283292192	1	KS	EUR /
61	Nut M 5 DIN 6926 Zinc	N311129524	2	KS	EUR /
62	Label 0-8732-208 Travel	N283293028	1	KS	EUR /
63	Label 1-8732-363 Brake	N283293029	1	KS	EUR /
64	Washer 16X22X1 DIN 988 L 07	N311219496	2	KS	EUR /
65	Switch holder UJ	S532014402173	1	KS	EUR /
66	Neutral-switch cover	S532014412013	1	KS	EUR /
67	Screw M 4X8 D 7500 D	N309578507	1	KS	EUR /
68	Microswitch MKH 12 D 13-S1	N345359004	2	KS	EUR /
69	Screw M 6x10 DIN 7500 D	N309578545	2	KS	EUR /
70	Screw M8X20	N309503518	3	KS	EUR /
71	Nut M 8	N311129501	3	KS	EUR /
72	Spindle 1.6x12	N311338513	3	KS	EUR /
73	Nut M 8	N311150503	1	KS	EUR /
74	Ball bushing 13 DIN71805B Zinc	N442073016	1	KS	EUR /
75	Fan 1A 6460-83050	N532150376	1	KS	EUR /
76	Pulley K46 1A646025333	S000000070137	1	KS	EUR /
77	Wheel rear 20x10.00-8 Grassmaster	N532940165	2	KS	EUR /
78	Wheel disc 7.00IX8H2 OTR 202180	N325111023	2	KS	EUR /
79	Tyre rear 20/10x8 Multi trac	N274161024	2	KS	EUR /
80	Spacer	S532195203503	2	KS	EUR /



Model: KUJ4A-17-0001

Group: KUJ20-16-0001

Mowing unit UJ102 with mulch.flap

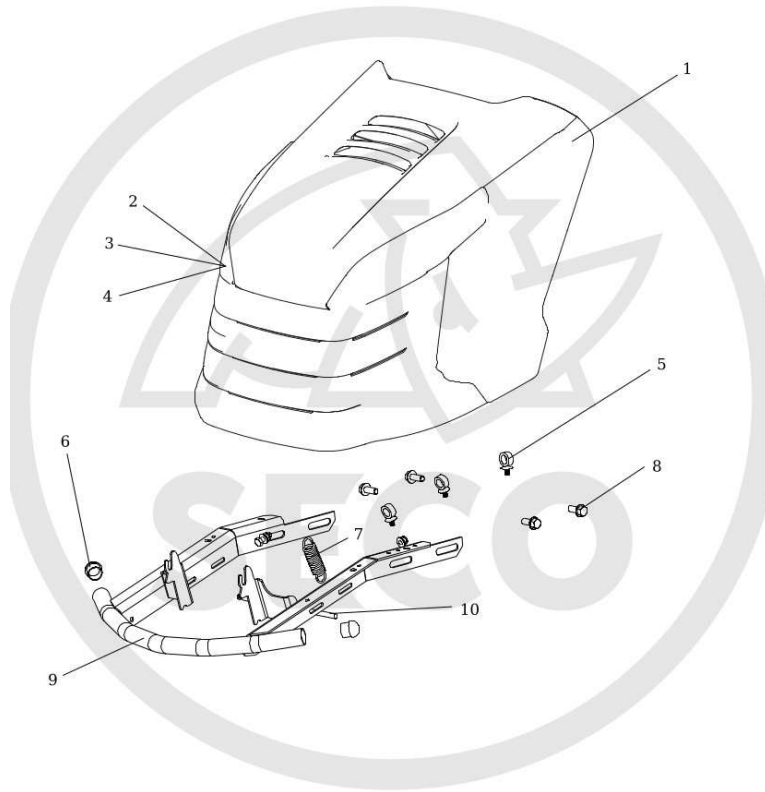


ID	Name	Item code	No.	UOM	Price
1	Blades cover compl. plug UJ	S532950472393	1	KS	EUR /
2	Holder compl.	S532913424393	1	KS	EUR /
3	Pulley Compensa C-00237/2	N532150784	1	KS	EUR /
4	Pulley spacer	S532094212013	1	KS	EUR /
5	Screw M 10X55	N309203525	1	KS	EUR /
6	Nut M 10 DIN 6926 Zinc	N311129523	1	KS	EUR /
7	Board,main, with plug	S532985422043	1	KS	EUR /
8	Pulley 28 Z 9-3371-312	N532150836	2	KS	EUR /
9	Pulley compl. 9-3325-234	N532150165	1	KS	EUR /
10	Shaft	S532038128033	1	KS	EUR /
11	Shaft	S532038128023	1	KS	EUR /
12	Foot compl.	S532914412013	1	KS	EUR /
13	Pulley spacer	S532094212013	2	KS	EUR /
14	Pulley 9-3371-277	N532150860	2	KS	EUR /
15	Flange	S532098212403	2	KS	EUR /
16	Flange	S532038523833	2	KS	EUR /
17	Shear pin	S532093117363	4	KS	EUR /
18	Washer	S532092207493	2	KS	EUR /
19	Screw 0-9011-283 M10 Left	N309599008	1	KS	EUR /
20	Screw 0-9011-287 M10	N309599017	1	KS	EUR /
21	Rotary blade left	S532050422103	1	KS	EUR /
22	Rotary blade right	S532050422113	1	KS	EUR /
23	Washer	S532092202133	5	KS	EUR /
24	Cutting wheel Etop 100-8,2	N532940128	4	KS	EUR /
25	Washer	S532092207273	2	KS	EUR /
26	Washer BN 806-40x16.3x2x3.1	N311219503	2	KS	EUR /
27	Washer	S532092207533	1	KS	EUR /
28	Label 0-8732-559 Noise 100 dB	N283292437	1	KS	EUR /
29	Label 0-8730-510	N283292121	2	KS	EUR /
30	Pulley cover 0-8547-206 102	N532151373	1	KS	EUR /
31	WASHER	S532092212293	1	KS	EUR /
32	Two-sided toothed belt 1760	N272211006	1	KS	EUR /
33	V-belt B 17x1425 Li BBT	N272731239	1	KS	EUR /
34	Bearing 6205 2 RS C 66IB	N324162099	4	KS	EUR /
35	Nut M 10 DIN 6926 Zinc	N311129523	3	KS	EUR /
36	Screw M 10X55	N309203525	1	KS	EUR /
37	Screw M 10X60	N309503577	1	KS	EUR /
38	Screw M 8X90	N309501567	4	KS	EUR /
39	Nut M 8	N311150503	2	KS	EUR /
40	Tongue 6E7x6x63	N311726086	1	KS	EUR /
41	Key 6E7X6X28	N311726091	3	KS	EUR /
42	Nut M 8 DIN 6926 8 Zinc	N532150290	16	KS	EUR /
43	Screw M8X20	N309503518	6	KS	EUR /

44	Cutting reinforcement	S532098203373	2	KS	EUR /
45	Cutting foot	S532014417363	2	KS	EUR /
46	Quick fastener 0-9026-246	N532150533	1	KS	EUR /
47	Ring 10.78X2.62 NBR 70-SH	N273111057	1	KS	EUR /
48	Nut M 12	N311120511	2	KS	EUR /
49	Lock ring 25	N311733014	2	KS	EUR /
50	Screw M 8X35	N309503543	6	KS	EUR /
51	Nut M10 RIPP KL 10 BN 2798	N311129522	4	KS	EUR /
52	Screw M10X25KL100 Ripp. V. DACROM	N309578529	5	KS	EUR /
53	Screw M 6x80 with eye BN1006 Zinc	N309578523	1	KS	EUR /
54	Nut M 6 DIN 6926	N311129525	1	KS	EUR /
55	Spring 0-9746-460	N315231193	1	KS	EUR /
56	Seating D7-201-802-010	N532150903	2	KS	EUR /
57	Pin D7-201-711-010	N532150904	2	KS	EUR /
58	Washer 9 Zinc	N311212517	1	KS	EUR /
59	Nut M 12	N311129505	2	KS	EUR /
60	Backstop	S532114322063	2	KS	EUR /
61	SCREW M 6X16 DIN 7500D BN 3326	N309578517	4	KS	EUR /
62	Plug UJ	S532980422523	1	KS	EUR /
63	Shield 0-9632-206 UJ T1	N273192062	1	KS	EUR /
64	Holder	S532113412143	1	KS	EUR /
65	Screw M 5X12	N309203548	8	KS	EUR /
66	Nut M 5 DIN 6926 Zinc	N311129524	8	KS	EUR /
67	Handle 511-035-14 (32x114) black	N532151195	1	KS	EUR /
68	Plug lever UJ	S532980412013	1	KS	EUR /
69	Spring 0-9746-506 2.25	N315231267	1	KS	EUR /
70	Spring pin 4x28	N315238008	2	KS	EUR /
71	Nut M 12 DIN 6926	N311129526	1	KS	EUR /
72	Washer 11	N311212507	1	KS	EUR /
73	Plug holder	S532113402743	3	KS	EUR /
74	Bushing 0-9462-201	N722643022	3	KS	EUR /
75	Screw M 6x12 DIN 7500 BN 3326	N309578546	6	KS	EUR /
76	Foot, plug locking UJ	S532013322063	1	KS	EUR /
77	Carrier screw 0-9016-427	N309599012	1	KS	EUR /
78	Nut M 8	N311129501	1	KS	EUR /
79	Washer 10x14x2 BN 739	N311219528	1	KS	EUR /
80	Bearing 61800 2RS	N324162101	1	KS	EUR /

Model: KUJ4A-17-0001  
Group: KUJ21-17-0001

Engine Hood UJ - EFCO RO 434226

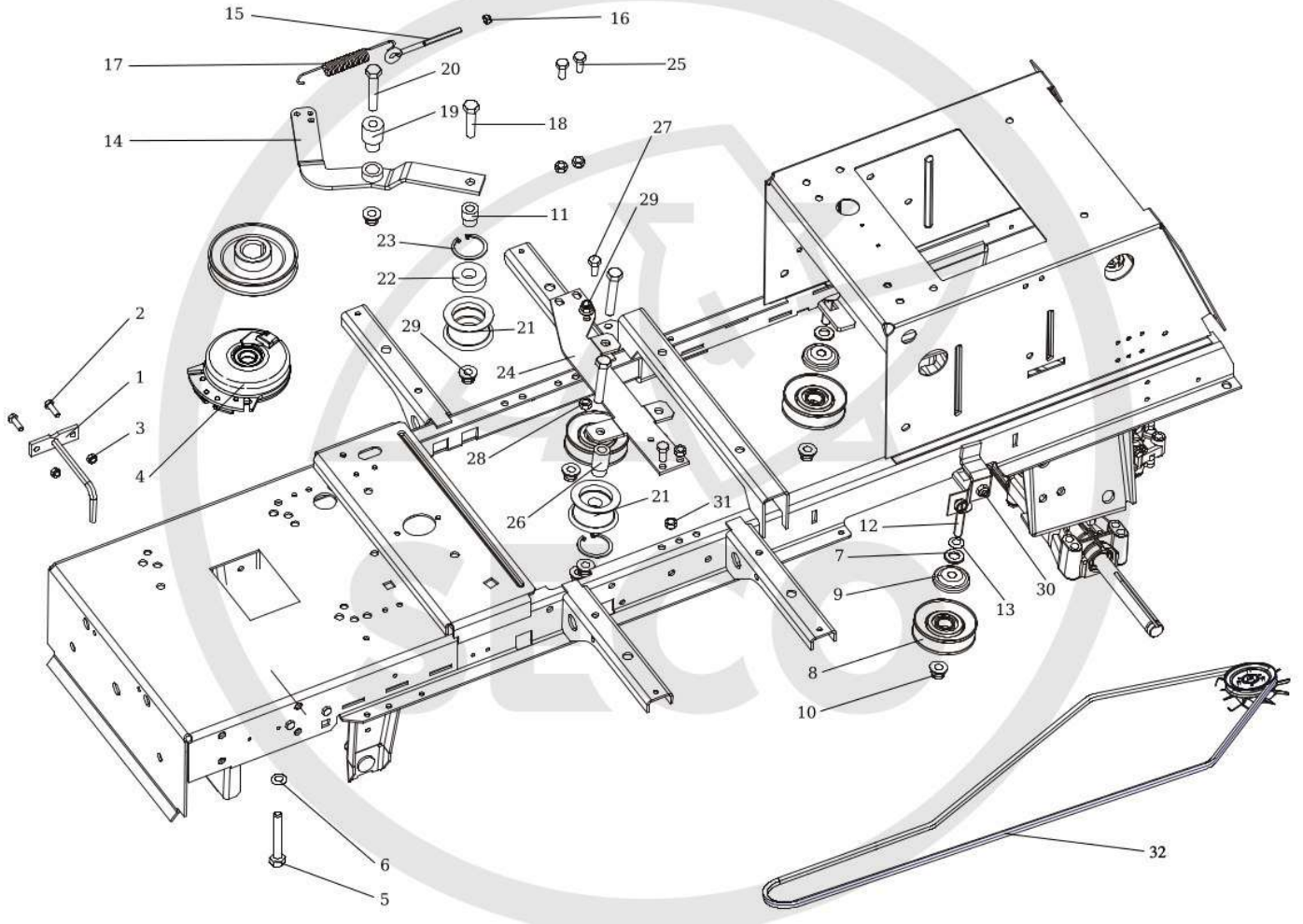


ID	Name	Item code	No.	UOM	Price
1	Hood 9-1849-330 Efco	N532151516	1	KS	EUR /
2	Halogen lightbulb MR 16 50MM 20	N347411004	2	KS	EUR /
3	Light harness 9-8316-623	N341271169	1	KS	EUR /
4	Screw cap 9-8316-620	N443953007	2	KS	EUR /
5	Clip WSBH 1-0-1	N532150211	3	KS	EUR /
6	Dished plug 40mm	N321841087	2	KS	EUR /
7	Spring 0-9746-472	N315231203	1	KS	EUR /
8	Screw M 10x25 DIN 6921	N309578554	4	KS	EUR /
9	Bumper UJ	S532918452013	1	KS	EUR /
10	Safety bar	S532013102143	1	KS	EUR /

Model: KIJ4A-17-0001

Group: KIJ22-16-0001

El. clutch and pulleys UJ 102

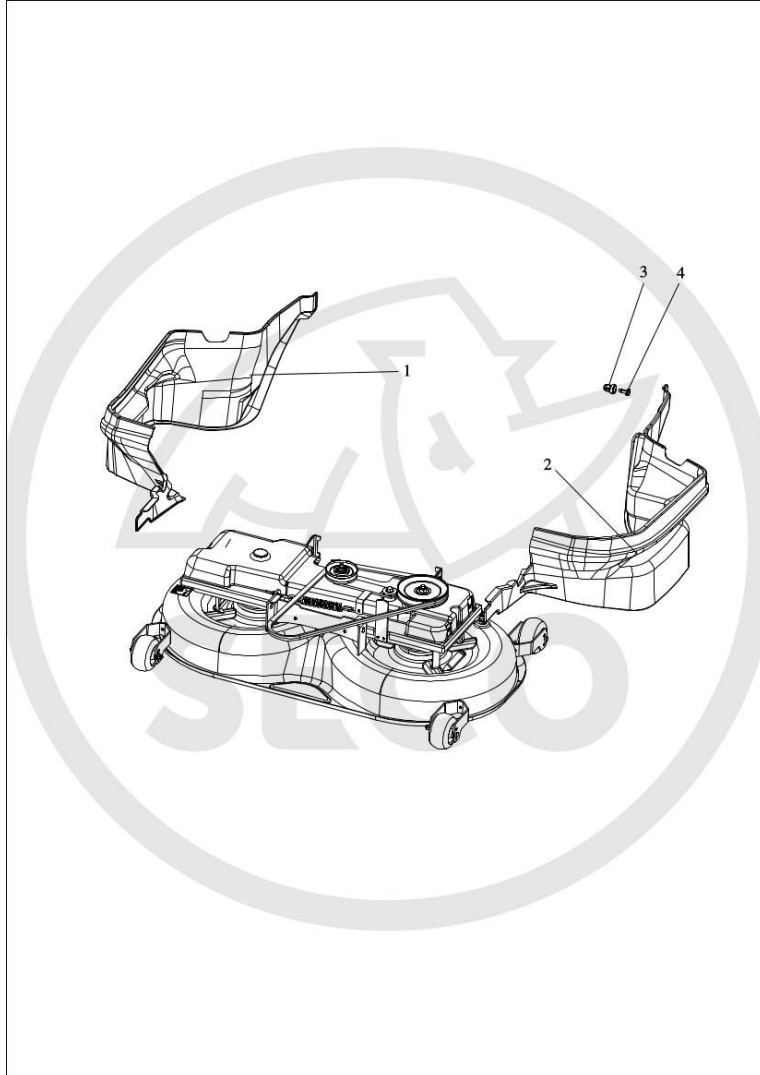


ID	Name	Item code	No.	UOM	Price
1	Clutch stopper	S532936362273	1	KS	EUR /
2	Screw M 6X20	N309503548	2	KS	EUR /
3	Nut M 6 DIN 6926	N311129525	2	KS	EUR /
4	Elmag. clutch I-5217-38	N532151196	1	KS	EUR /
5	Screw UNF 7/16"X3" 10.9 ZINK	N309579511	1	KS	EUR /
6	Washer NL 11 glued Dacromet	N311219516	1	KS	EUR /
7	Washer 10.5	N311210504	1	KS	EUR /
8	Pulley Compensa C-00237/1	N532150824	3	KS	EUR /
9	Cover C-00693 Compensa	N532151119	2	KS	EUR /
10	Nut M 10 DIN 6926 Zinc	N311129523	6	KS	EUR /
11	Bushing	S532094214473	1	KS	EUR /
12	Screw M10X45 021319 Zinc	N309019531	2	KS	EUR /
13	Washer 13	N311210505	2	KS	EUR /
14	Travel-tension holder	S532913323073	1	KS	EUR /
15	Screw M 6x80 with eye BN1006 Zinc	N309578523	1	KS	EUR /
16	Nut M 6	N311129513	1	KS	EUR /
17	Spring 0-9746-497	N315231270	1	KS	EUR /
18	Screw M 10x45	N309203544	1	KS	EUR /
19	Bushing	S532094216023	1	KS	EUR /
20	Screw M 10X60	N309503577	3	KS	EUR /
21	Pulley tensioning 9-3325-296	N532151361	2	KS	EUR /
22	Bearing 6203 2 RS C 66 IB	N324162098	1	KS	EUR /
23	Lock ring 40	N311733079	1	KS	EUR /
24	Guide pulley holder	S532113422033	1	KS	EUR /
25	Screw M8X20	N309503518	4	KS	EUR /
26	Bushing	S532094214173	2	KS	EUR /
27	Screw M 8X65	N309501536	1	KS	EUR /
28	Nut M 8	N311150503	1	KS	EUR /
29	Nut M 8 DIN 6926 8 Zinc	N532150290	1	KS	EUR /
30	Screw M8X16	N309203503	2	KS	EUR /
31	Nut M 8	N311129501	6	KS	EUR /
32	V-belt VB 13x2655LI Optibelt	N272731255	1	KS	EUR /

Model: KUJ4A-17-0001

Group: KUJ23-15-0001

Starjet mowing unit n.2 -UJ cover



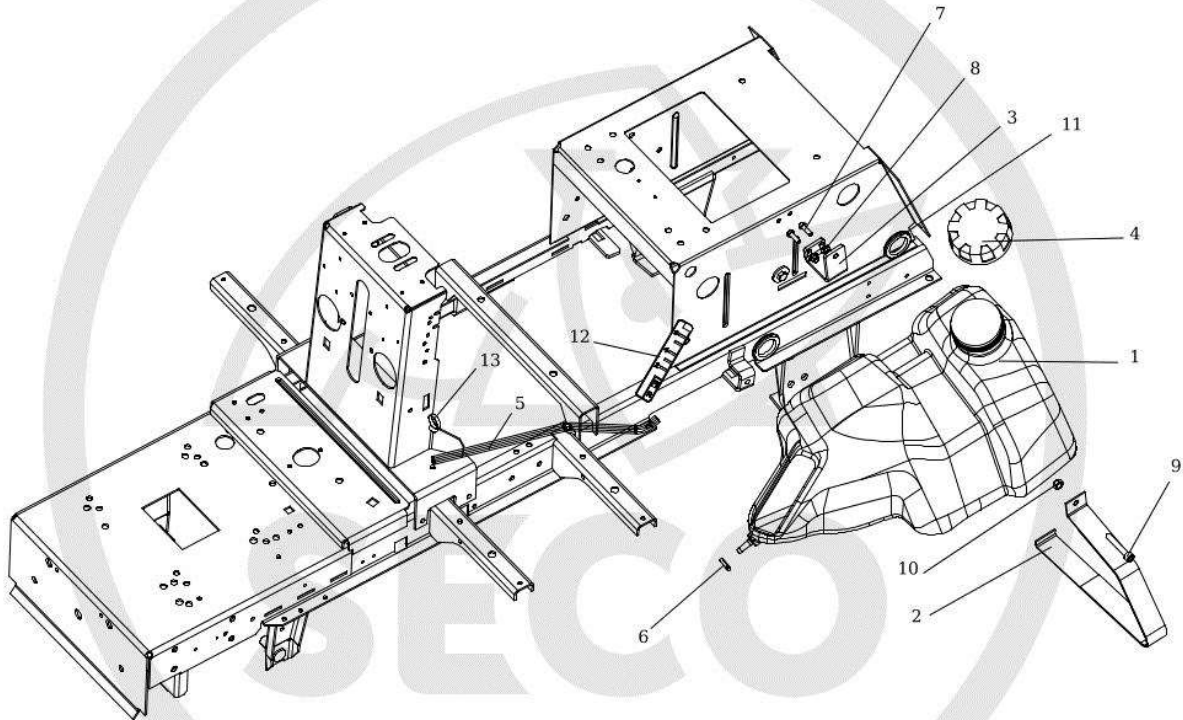




<b>ID</b>	<b>Name</b>	<b>Item code</b>	<b>No.</b>	<b>UOM</b>	<b>Price</b>
1	Belt cover 0-8547-217 UJ Emak	N532151438	1	KS	EUR /
2	Belt cover 0-8547-218 P UJ Emak	N532151439	1	KS	EUR /
3	Seating D7-201-802-010	N532150903	10	KS	EUR /
4	Pin D7-201-711-010	N532150904	10	KS	EUR /

Model: KUJ4A-17-0001  
Group: KUJ25-15-0001

Starjet UJ 102 fuel tank



ID	Name	Item code	No.	UOM	Price
1	Fuel tank 0-2766-201 white/exh.UJ	N232130026	1	KS	EUR /
2	Tank holder compl. UJ	S532013422013	1	KS	EUR /
3	HOLDER	S532013425133	1	KS	EUR /
4	Cap 9-2725-201	N321841017	1	KS	EUR /
5	Fuel hose for NJ, AJ, UJ	S532986018003	1	KS	EUR /
6	Clip UM 5008	N000532058	2	KS	EUR /
7	Screw M 6X20	N309503548	2	KS	EUR /
8	Nut M 6 DIN 6926	N311129525	2	KS	EUR /
9	Screw M 8x50 DIN 912 8.8 ZN	N309503574	1	KS	EUR /
10	Nut M 8	N311129501	1	KS	EUR /
11	Rubber sleeve 28.5x2	N273121038	2	KS	EUR /
12	Label 0-8732-223 Fuel quantity	N283293026	1	KS	EUR /
13	Clip WSBH 1-0-1	N532150211	1	KS	EUR /