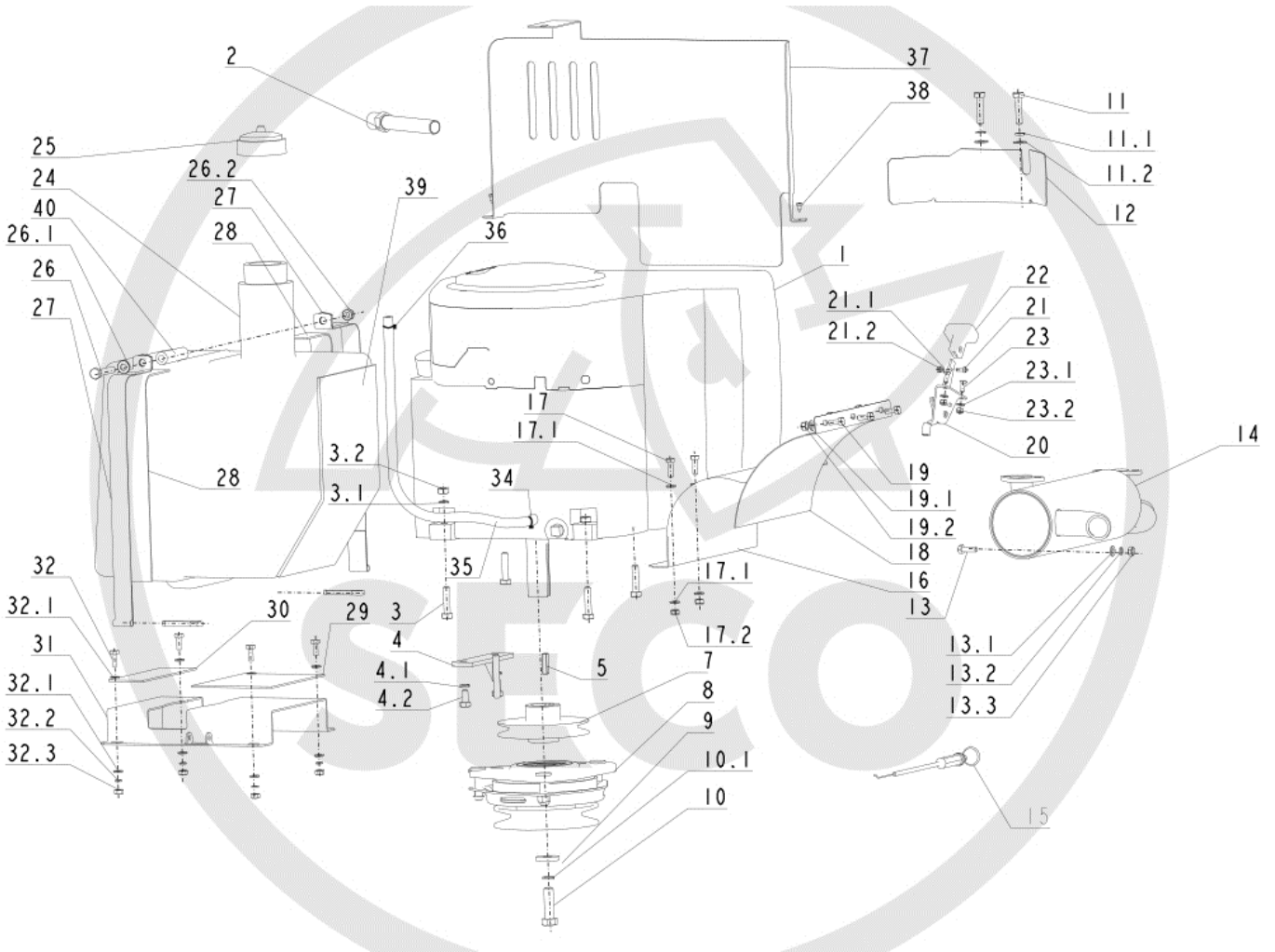




Model: KSC2A-11-0001

Group: KSC01-11-0001

Crossjet engine 23HP Vanguard

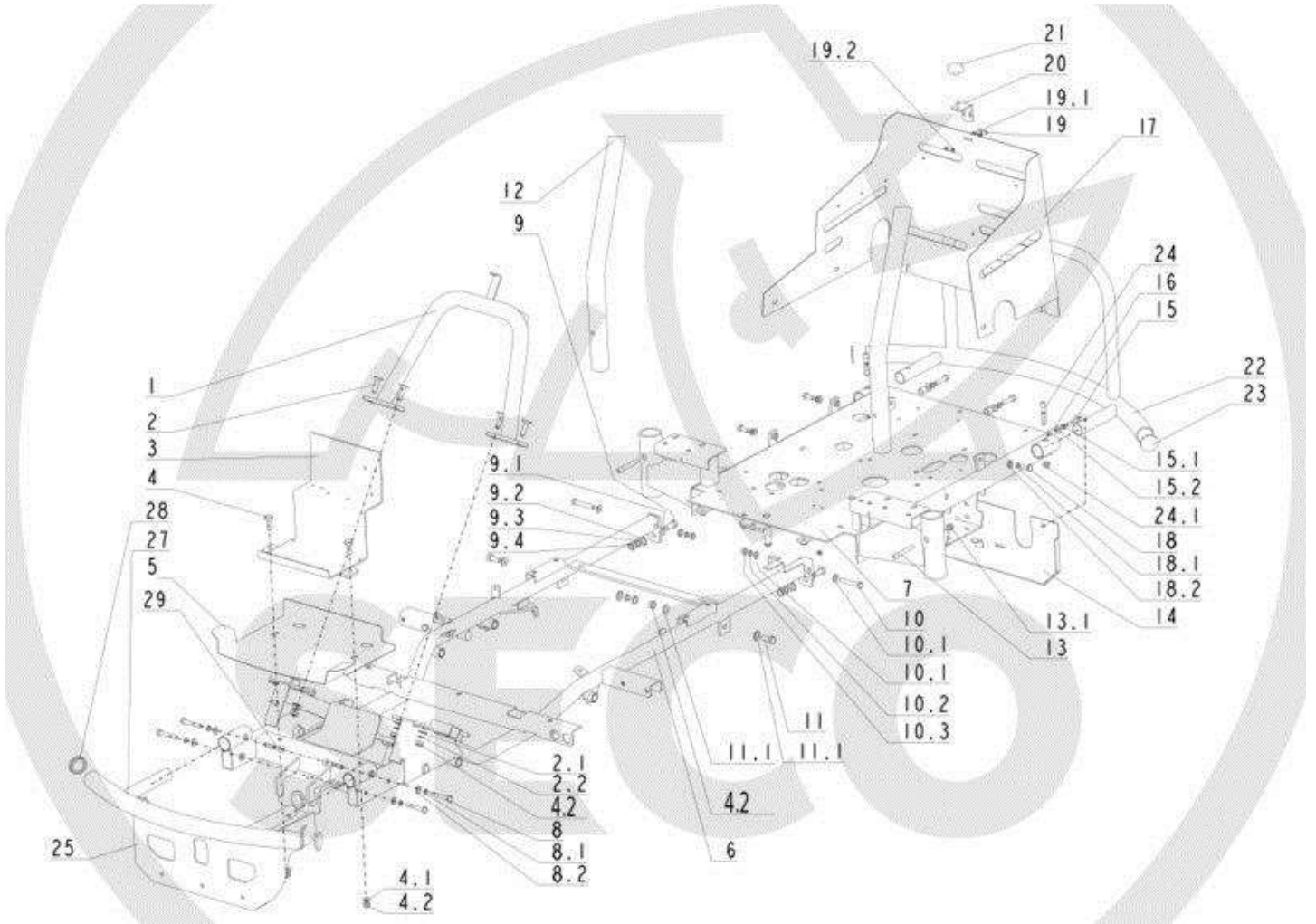


ID	Name	Item code	No.	UOM	Price
1	Engine 23HP Vanguard V-twin	N482349024	1	KS	EUR /
10	Screw 7/16 X 2 3/4 Unf Zinc	N309579506	1	KS	EUR /
10.1	Spring washer 7/16 Zinc	N311214012	1	KS	EUR /
11	Screw M 8X16	N309503517	2	KS	EUR /
11.1	Washer 8	N311214502	2	KS	EUR /
11.2	Washer 8.4	N311210503	2	KS	EUR /
12	Exhaust bend cover	S532085427063	1	KS	EUR /
13	Screw M 6X18	N309503557	1	KS	EUR /
13.1	Washer 6.4	N311210502	2	KS	EUR /
13.2	Washer 6	N311214501	1	KS	EUR /
13.3	Nut M6	N311120501	1	KS	EUR /
14	Exhaust	S532927472473	1	KS	EUR /
15	Choke 9-8074-286	N443612014	1	KS	EUR /
16	Exhaust cover	S532085415633	1	KS	EUR /
17	Screw M6X20	N309203502	2	KS	EUR /
17.1	Washer 6.4	N311210502	4	KS	EUR /
17.2	Nut M 6	N311129513	2	KS	EUR /
18	Exhaust cover	S532085415653	1	KS	EUR /
19	Screw M 6X16	N309203501	3	KS	EUR /
19.1	Washer 6.4	N311210502	6	KS	EUR /
19.2	Nut M 6	N311129513	4	KS	EUR /
2	Extender	S532927262043	1	KS	EUR /
20	Throttle lever 9-8071-229	N443900103	1	KS	EUR /
21	Screw M 4X14 021131.25	N309231535	1	KS	EUR /
21.1	Washer 5.3	N311210501	1	KS	EUR /
21.2	Nut M4	N311129514	1	KS	EUR /
22	Throttle lever 0-8060-239	N443900138	1	KS	EUR /
23	Screw M 5X14	N309251514	2	KS	EUR /
23.1	Washer 5.3	N311210501	2	KS	EUR /
23.2	Nut M5	N311129515	2	KS	EUR /
24	Fuel Tank 0-2766-208 CROSSJET	N232130015	1	KS	EUR /
25	Fuel tank cap with measure L=350	N532150321	1	KS	EUR /
26	Screw M 8x50	N309543514	1	KS	EUR /
26.1	Washer 8.4	N311210503	2	KS	EUR /
26.2	Nut M 8	N311129501	1	KS	EUR /
27	Tightening belt compl.	S532914364793	2	KS	EUR /
28	Belt	S532092304063	2	KS	EUR /
29	Washer under tank	S532092304083	1	KS	EUR /
3	Screw M 8X35	N309503543	4	KS	EUR /
30	Washer under tank	S532092304073	1	KS	EUR /
31	Tank holder	S532013424943	1	KS	EUR /
32	Screw M 6X16	N309203501	3	KS	EUR /
32.1	Washer 6.4	N311210502	8	KS	EUR /

32.2	Washer 6	N311214501	4	KS	EUR /
32.3	Nut M6	N311120501	4	KS	EUR /
33	Screw M 6X18	N309503557	1	KS	EUR /
34	Clip UM 5008	N000532058	1	KS	EUR /
35	Fuel hose	S532199202383	1	KS	EUR /
36	Hose clip 8-12 Zinc	N548241017	1	KS	EUR /
37	Heat protective shield	S532085415793	1	KS	EUR /
38	Screw ST 4,2X13 DIN7504-K BN1880	N309315012	2	KS	EUR /
3.1	Nut M8	N311120503	4	KS	EUR /
3.2	Nut M 8	N311150503	4	KS	EUR /
4	Clutch stopper WARNER	S532913368663	1	KS	EUR /
4.1	Washer 8	N311214502	2	KS	EUR /
4.2	Screw M 8X16	N309503517	2	KS	EUR /
5	Spring	S532092312193	1	KS	EUR /
7	Engine pulley SPA 112	S532033253803	1	KS	EUR /
8	Elmag. clutch 5217-58	N339242008	1	KS	EUR /
9	Washer 0-9221-227	N532150469	1	KS	EUR /
39	Heat shield 0-8530-604	N232901008	1	KS	EUR /
40	Spacer 8.2x18x35 plastic Skiffy	N532151225	1	KS	EUR /

Model: KSC2A-11-0001
Group: KSC02-11-0001

Crossjet chassis



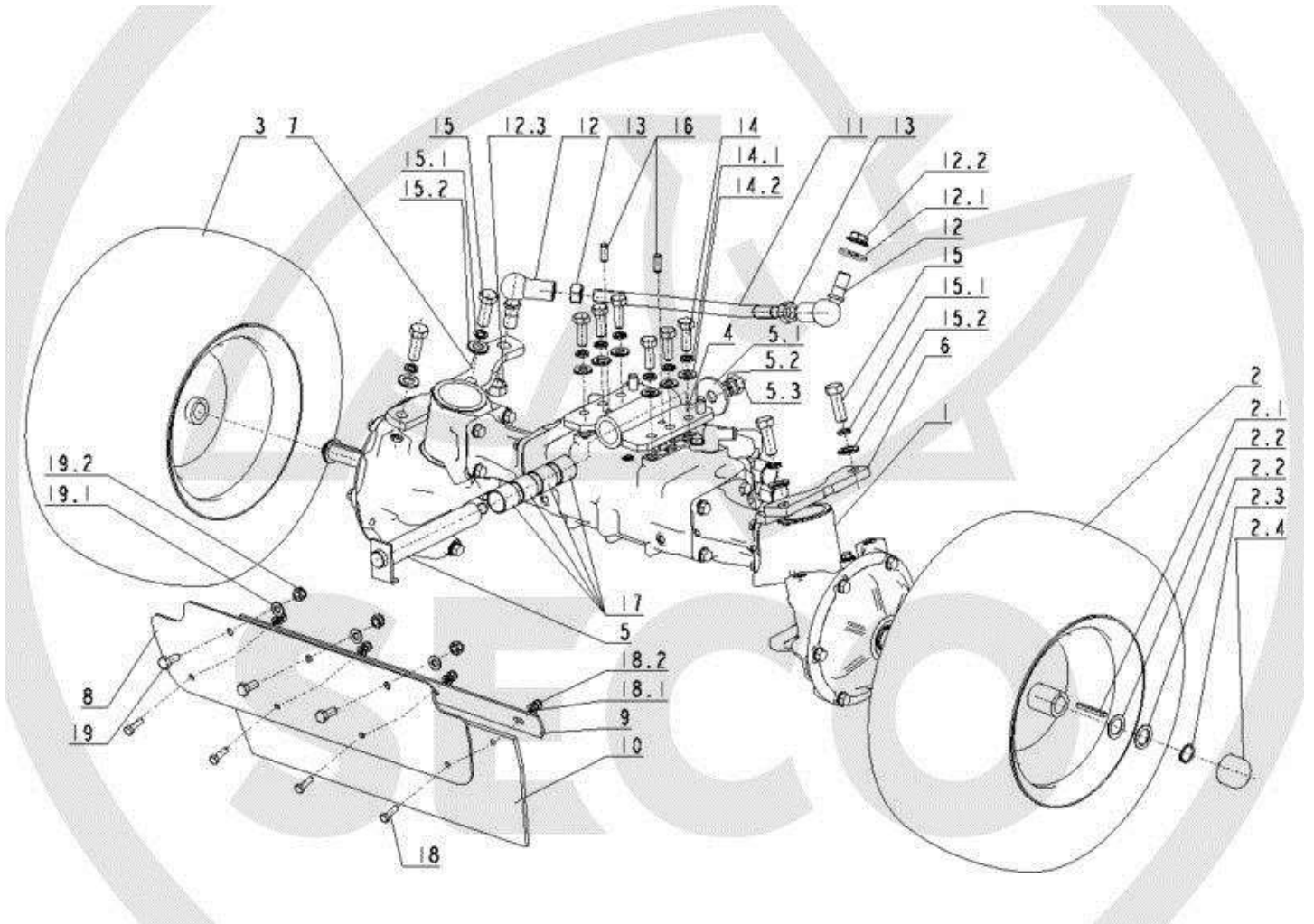
ID	Name	Item code	No.	UOM	Price
1	Steereng wheel brace	S532915462333	1	KS	EUR /
10	Screw M5x35	N309503556	2	KS	EUR /
10.1	Washer 8.4	N311210503	4	KS	EUR /
10.2	Washer 8	N311214502	2	KS	EUR /
10.3	Nut M 8	N311150503	2	KS	EUR /
11	Screw M 10X25	N309503502	2	KS	EUR /
11.1	Washer 10.5	N311210504	4	KS	EUR /
12	Frame tube lower	S532085427423	2	KS	EUR /
13	Screw M 8x55 8.8 A2L ISO 4762	N309543010	2	KS	EUR /
13.1	Nut M 8	N311129501	2	KS	EUR /
14	Cover rear complete	S532985423393	1	KS	EUR /
15	Screw M 8X35	N309203530	3	KS	EUR /
15.1	Washer 8	N311214502	3	KS	EUR /
15.2	Washer 8.4	N311210503	3	KS	EUR /
16	Spacer ring	S532195203473	3	KS	EUR /
17	Cover rear	S532085415663	1	KS	EUR /
18	Screw M8X20	N309503518	3	KS	EUR /
18.1	Washer 8	N311214502	3	KS	EUR /
18.2	Washer 8.4	N311210503	3	KS	EUR /
19	Screw M 4x12	N309203543	2	KS	EUR /
19.1	Washer 4.3	N311210506	2	KS	EUR /
19.2	Nut M4	N311129514	2	KS	EUR /
2	Screw M 10X35	N309503523	4	KS	EUR /
20	Holder complete	S532913302813	1	KS	EUR /
21	Control star STG2A 40 M6X15	N532150980	1	KS	EUR /
22	Bumper rear	S532918462313	1	KS	EUR /
23	Blind flange 40/1-3 GL black	N321841068	2	KS	EUR /
24	Screw M 8x45 8.8 A2L ISO 4762	N309543011	2	KS	EUR /
24.1	Nut M 8	N311120502	2	KS	EUR /
27	Bumper front SC	S532918462323	1	KS	EUR /
28	Blind flange 40/1-3 GL black	N321841068	2	KS	EUR /
29	Screw M 8x45 8.8 A2L ISO 4762	N309543011	2	KS	EUR /
2.1	Washer 10.5	N311210504	4	KS	EUR /
3	Battery holder complete	S532913462843	1	KS	EUR /
30	Cover washer	S532113308713	4	KS	EUR /
4	Screw M 10X25	N309203516	2	KS	EUR /
4.1	Washer 10.5	N311210504	2	KS	EUR /
4.	Nut M 10 DIN 6926 Zinc	N311129523	12	KS	EUR /
5	Cover	S532085324053	1	KS	EUR /
6	Chassis devided SC	S532912472293	1	KS	EUR /
7	Engine chamber compl.	S532927962093	1	KS	EUR /
8	SCREW M 8X55	N309201519	4	KS	EUR /
8.1	Washer 8	N311214502	4	KS	EUR /

8.2	Washer 8.4	N311210503	4	KS	EUR /
9	Screw M 8X30	N309503515	2	KS	EUR /
9.1	Washer 10.5	N311210504	2	KS	EUR /
25	Cover	S532085415783	1	KS	EUR /

Model: KSC2A-11-0001

Group: KSC03-11-0001

Crossjet front axle

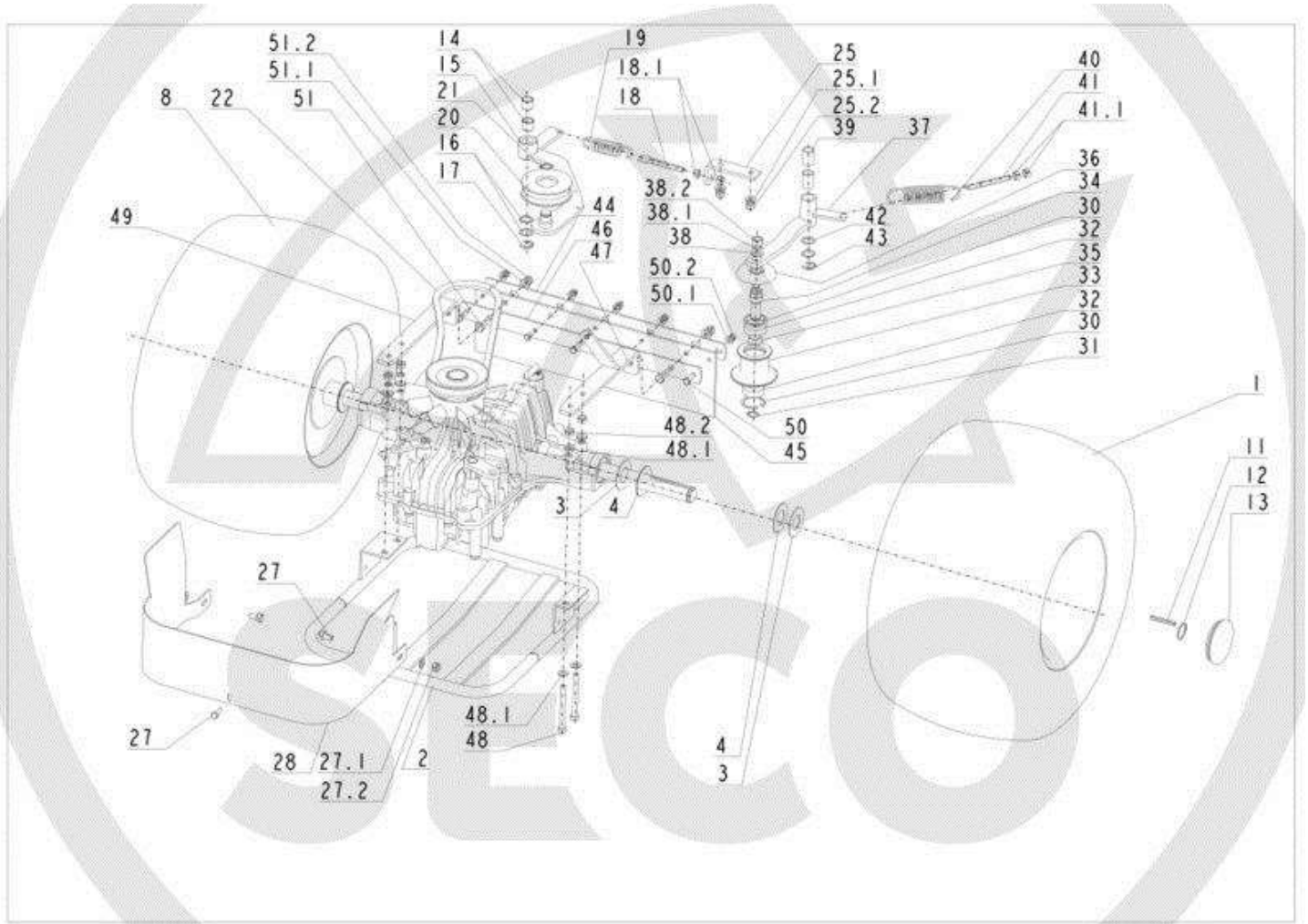


ID	Name	Item code	No.	UOM	Price
1	Axle front KXH 10N	N532991057	1	KS	EUR /
10	Cover	S532085306133	1	KS	EUR /
11	Connecting bar 0-8010-282	N532150900	1	KS	EUR /
12	Angular joint 19 DIN71802 CS M14	N442073024	2	KS	EUR /
12.1	Washer NL14 glued Zinc	N311219517	2	KS	EUR /
12.2	Nut M14x1.5	N311150512	1	KS	EUR /
12.3	Nut M14x1.5 DIN439 Zinc	N311120540	1	KS	EUR /
13	Nut M14x1.5 DIN439 Zinc	N311120540	2	KS	EUR /
14	Screw M10x30 DIN 933-10.9	N309503571	6	KS	EUR /
14.1	Washer 10	N311214503	6	KS	EUR /
14.2	Washer 10.5	N311210504	6	KS	EUR /
15	Screw M12x35 DIN 933-10.9	N309503572	4	KS	EUR /
15.1	Washer 12	N311214504	4	KS	EUR /
15.2	Washer 13	N311210505	4	KS	EUR /
16	Pin 8X20 A	N311515079	2	KS	EUR /
17	Bearing bushing WSM-2528-25W300	N323721015	5	KS	EUR /
18	Screw M 6X20	N309503548	4	KS	EUR /
18.1	Washer 6.4	N311210502	4	KS	EUR /
18.2	Nut M 6	N311129513	4	KS	EUR /
19	Screw M8X20	N309503518	3	KS	EUR /
19.1	Washer 8.4	N311210503	3	KS	EUR /
19.2	Nut M 8	N311129501	3	KS	EUR /
2	Wheel front L 16x6.50-8 TRAC MAST	N532940177	1	KS	EUR /
2.1	Spring	S532092312233	2	KS	EUR /
2.2	Washer	S532092207583	4	KS	EUR /
2.3	Lock ring 19	N311733607	2	KS	EUR /
2.4	Cover 32X25 Vinyl-Flex	N532150753	2	KS	EUR /
3	Wheel front R 16x6.50-8 TRAC MAST	N532940178	1	KS	EUR /
4	Axle holder complete	S532916262253	1	KS	EUR /
5	Pin complete	S532993122763	1	KS	EUR /
5.1	Washer 14	N311212506	1	KS	EUR /
5.2	Washer 12	N311214504	1	KS	EUR /
5.3	Nut M 12	N311150505	1	KS	EUR /
6	Backstop compl.	S532980302173	1	KS	EUR /
7	Steering lever	S532080422553	1	KS	EUR /
8	Front cover	S532085406353	1	KS	EUR /
9	Ribbon	S532015312123	1	KS	EUR /

Model: KSC2A-11-0001

Group: KSC04-11-0001

Crossjet rear axle



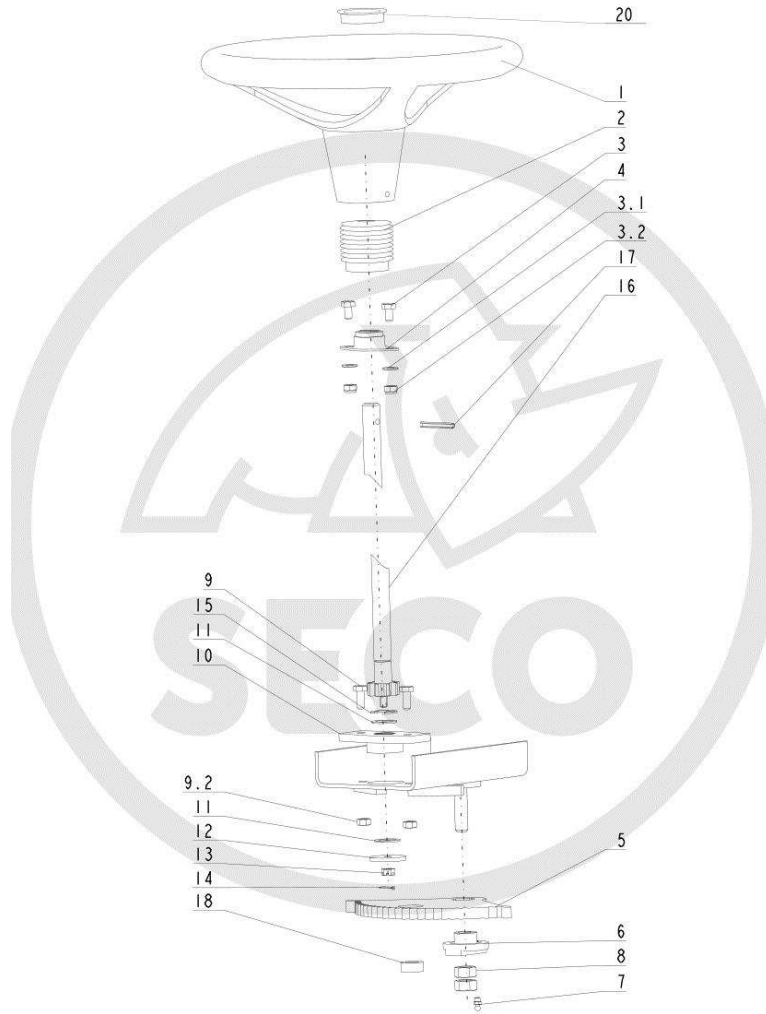
ID	Name	Item code	No.	UOM	Price
1	Wheel rear R 20x10.00-8 TRAC MAST	N532940176	1	KS	EUR /
11	Spring	S532092312203	2	KS	EUR /
12	Lock ring SE-98 1	N311732024	2	KS	EUR /
13	Black cover GPN 690/3004	N532151024	1	KS	EUR /
14	Bushing 1615 KU Teflon	N323721004	2	KS	EUR /
15	Pulley holder	S532913463133	1	KS	EUR /
16	Washer 16X22X1 DIN 988 L 07	N311219496	2	KS	EUR /
17	Lock ring 12	N311732009	2	KS	EUR /
18	Screw 0-9016-454	N309599025	1	KS	EUR /
18.1	Nut M 8	N311120502	2	KS	EUR /
19	Spring 0-9746-487	N315231230	1	KS	EUR /
2	Safety frame	S532913463143	1	KS	EUR /
20	Pulley F3000-0750 metal	N000532003	1	KS	EUR /
21	Lock ring I7	N311733007	1	KS	EUR /
22	V-Belt 13X830 LP OPTIBELT	N272731214	1	KS	EUR /
25	Spring holder	S532113404613	1	KS	EUR /
25.1	Washer 8.4	N311210503	2	KS	EUR /
25.2	Nut M 8	N311129501	2	KS	EUR /
27	Screw M 8X16	N309503517	2	KS	EUR /
27.1	Washer 8.4	N311210503	1	KS	EUR /
27.2	Nut M 8	N311129501	1	KS	EUR /
28	Deflector	S532085415773	1	KS	EUR /
3	washer	S532092208053	4	KS	EUR /
30	Lock ring 35	N311733075	2	KS	EUR /
31	Lock ring I5	N311733005	1	KS	EUR /
32	Bearing 6202 VV C3 (NSK)	N324162097	2	KS	EUR /
33	Pulley	S532033232383	1	KS	EUR /
34	Shaft	S532038128423	1	KS	EUR /
35	Spacer ring	S532195203393	1	KS	EUR /
36	Cap 0-3947-216	N321841075	1	KS	EUR /
37	Pulley holder	S532913463193	1	KS	EUR /
38	Washer 10.5	N311210504	1	KS	EUR /
38.1	Washer 10	N311214503	1	KS	EUR /
38.2	Nut M 10	N311150506	1	KS	EUR /
39	Bushing 1625 KU	N323721006	2	KS	EUR /
4	Washer	S532092208083	15	KS	EUR /
40	Spring 0-9746-484	N315231228	1	KS	EUR /
41	Screw 0-9016-454	N309599025	1	KS	EUR /
41.1	Nut M 8	N311120502	2	KS	EUR /
42	Washer 16X22X1 DIN 988 L 07	N311219496	2	KS	EUR /
43	Lock ring 12	N311732009	1	KS	EUR /
44	Ribbon	S532015312063	1	KS	EUR /
45	Shield 0-8530-606 T4 with textile	N273192017	1	KS	EUR /

46.1	Ribbon	S532015312073	1	KS	EUR /
47	Washer complete	S532992462023	1	KS	EUR /
48	Screw M8x80	N309501571	4	KS	EUR /
48.1	Washer 8.4	N311210503	8	KS	EUR /
48.2	Nut M 8	N311129501	4	KS	EUR /
49	Washer	S532092402553	1	KS	EUR /
50	Screw M6X20	N309203502	5	KS	EUR /
50.1	Washer 6.4	N311210502	5	KS	EUR /
50.2	Nut M 6	N311129513	5	KS	EUR /
51	Screw M 8X25	N309203517	2	KS	EUR /
51.1	Washer 8	N311214502	4	KS	EUR /
51.2	Nut M 8	N311129501	2	KS	EUR /
8	Wheel rear L 20x10.00-8 TRAC MAST	N532940175	1	KS	EUR /

Model: KSC2A-11-0001

Group: KSC05-11-0001

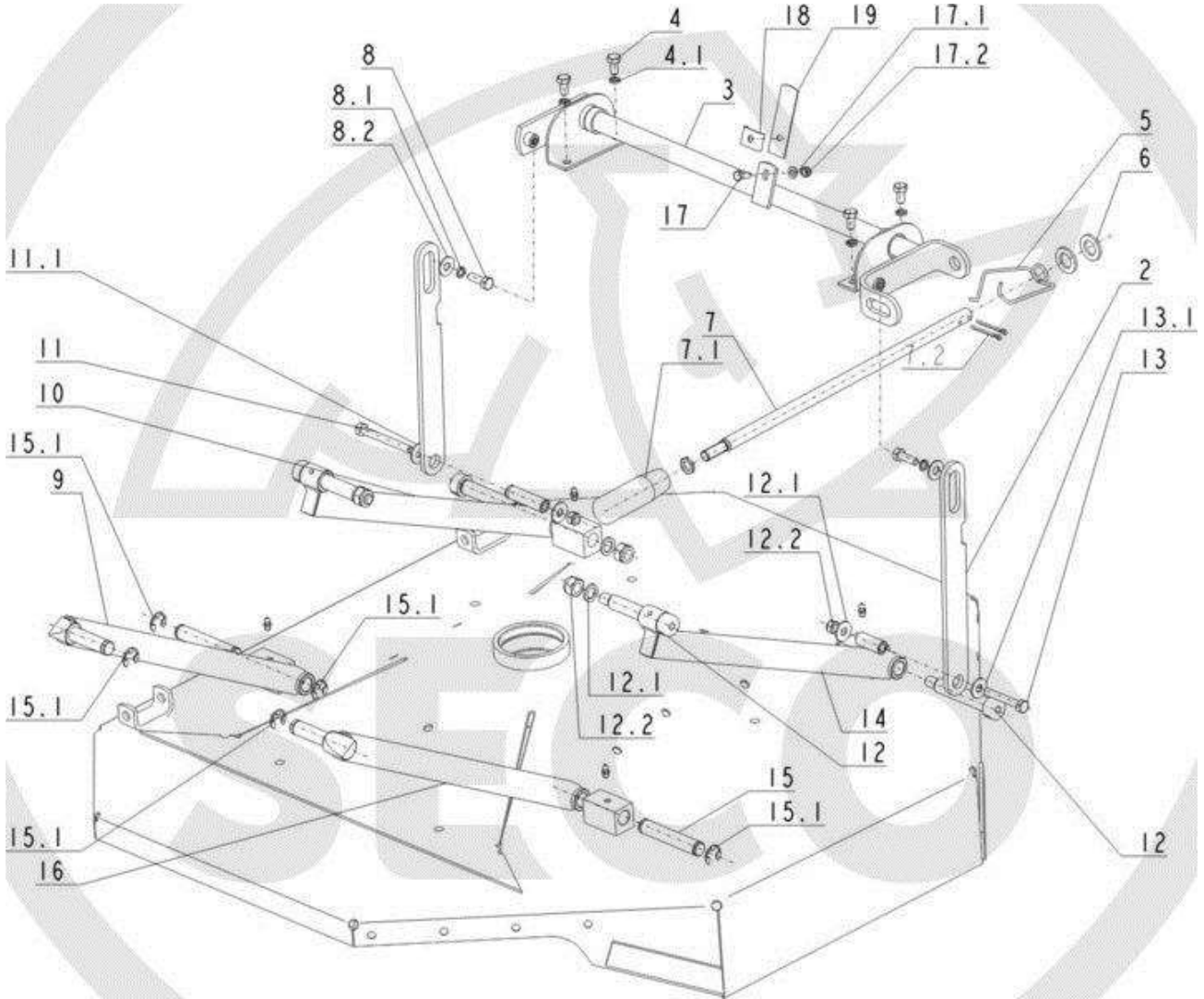
Crossjet steering



ID	Name	Item code	No.	UOM	Price
1	Steering wheel Cobo PP031	N443821008	1	KS	EUR /
10	Bearing complete	S532938703453	1	KS	EUR /
11	Washer	S532092207583	2	KS	EUR /
12	Washer	S532092207933	1	KS	EUR /
13	Nut M8	N311121513	1	KS	EUR /
14	Spindle 2x20	N311338501	1	KS	EUR /
15	Lock ring 15	N311732008	1	KS	EUR /
16	Pinion complete	S532938252063	1	KS	EUR /
17	Spring pin 6x45	N315238031	1	KS	EUR /
18	Spacer	S532080202883	1	KS	EUR /
2	Cuff	N273124013	1	KS	EUR /
3	Screw M 8 X 14	N309203538	2	KS	EUR /
3.1	Washer 8.4	N311210503	2	KS	EUR /
3.2	Nut M 8	N311129501	2	KS	EUR /
4	Spherical bearing FLW 12	N000324001	1	KS	EUR /
5	Toothed segment 27Z	S532033322123	1	KS	EUR /
6	Eccentric	S532080272043	1	KS	EUR /
7	Lubricating head MK 6x1	N425111004	1	KS	EUR /
8	Nut M14	N311150513	2	KS	EUR /
9	Screw M 8X25	N309503512	2	KS	EUR /
9.2	Nut M 8 DIN 6926 8 Zinc	N532150290	2	KS	EUR /
20	Cover COBO 0047	N532151106	1	KS	EUR /

Model: KSC2A-11-0001
Group: KSC06-11-0001

Crossjet mowing lifting

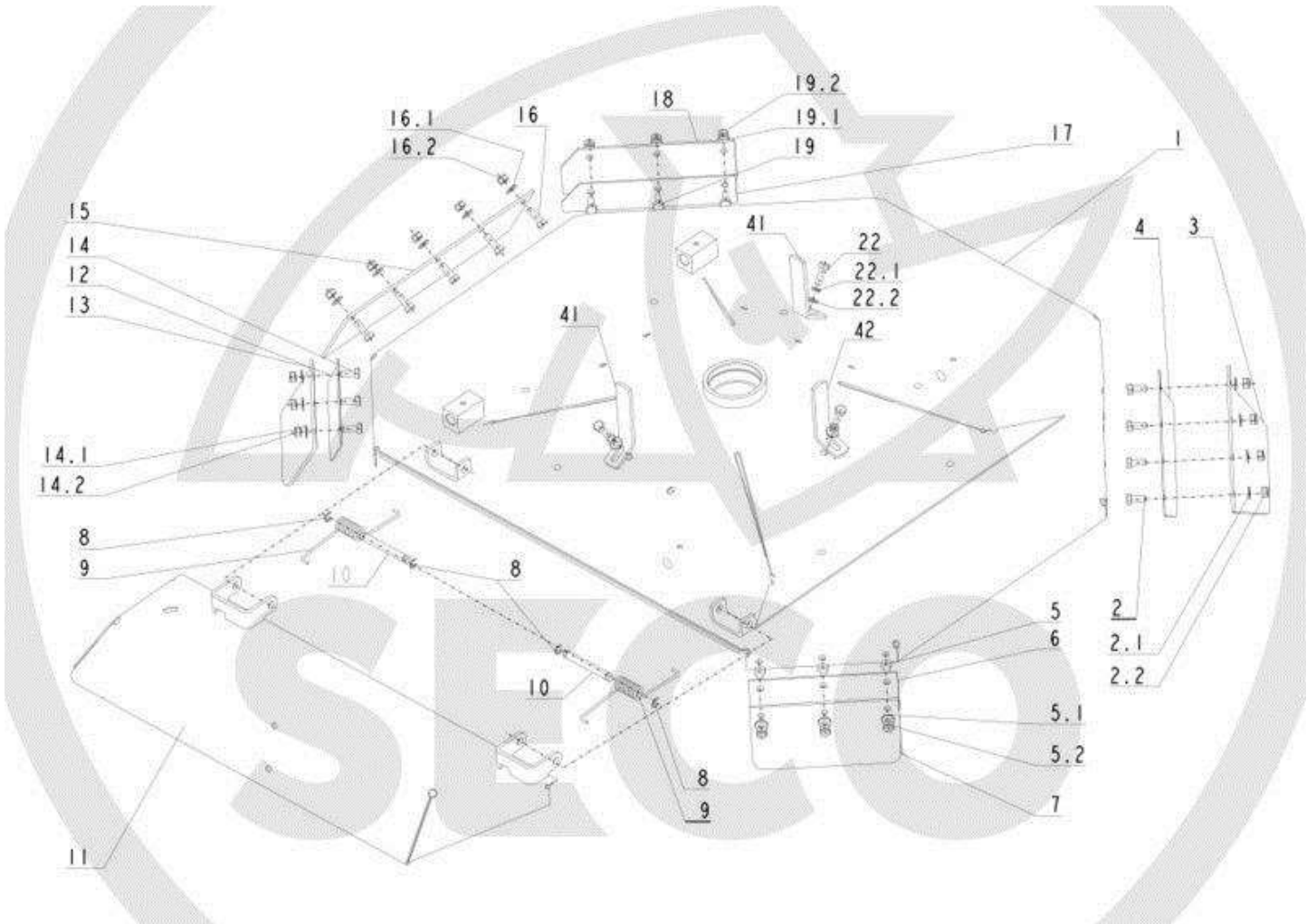


ID	Name	Item code	No.	UOM	Price
10	Lifting arm, rear, right	S532980365243	1	KS	EUR /
11	SCREW M 8X55	N309201519	1	KS	EUR /
11.1	Washer 9 Zinc	N311212517	2	KS	EUR /
11.2	Nut M 8	N311129501	1	KS	EUR /
12	Screw pr.16/M12-80 BN1359	N309578491	4	KS	EUR /
12.1	Washer 13	N311210533	4	KS	EUR /
12.2	Nut M 12	N311129505	4	KS	EUR /
13	Screw M 8X75	N309201518	1	KS	EUR /
13.1	Washer 9 Zinc	N311212517	2	KS	EUR /
13.2	Nut M 8	N311129501	1	KS	EUR /
14	Lifting arm, rear, left	S532980365253	1	KS	EUR /
15	Pin	S532193103673	2	KS	EUR /
15.1	Lock ring 12	N311732009	6	KS	EUR /
16	Lifting arm, front, left	S532980365223	1	KS	EUR /
17	Screw M 6X16	N309203501	1	KS	EUR /
17.1	Washer 6.4	N311210502	1	KS	EUR /
17.2	Nut M 6	N311129513	1	KS	EUR /
18	Safety washer	S532092412463	1	KS	EUR /
19	Spring element	S532097302223	1	KS	EUR /
2	Mowing arm	S532080312243	2	KS	EUR /
3	Cutting lifting	S532980702173	1	KS	EUR /
4	Screw M 8X16	N309503517	4	KS	EUR /
4.1	Washer 8	N311214502	4	KS	EUR /
5	Spring 0-9746-481	N315231222	1	KS	EUR /
6	Washer 15	N311210511	2	KS	EUR /
7	Stick	S532080112443	1	KS	EUR /
7.1	Handle 1003 PR. 15 black	N532150425	1	KS	EUR /
7.2	Spindle 3.2x36	N311338524	1	KS	EUR /
8	Screw M 8X25	N309203517	2	KS	EUR /
8.1	Washer 8	N311214502	2	KS	EUR /
8.2	Washer 9 Zinc	N311212517	2	KS	EUR /
9	Lifting arm, front, right	S532980365233	1	KS	EUR /

Model: KSC2A-11-0001

Group: KSC07-11-0001

Crossjet mowing unit 1

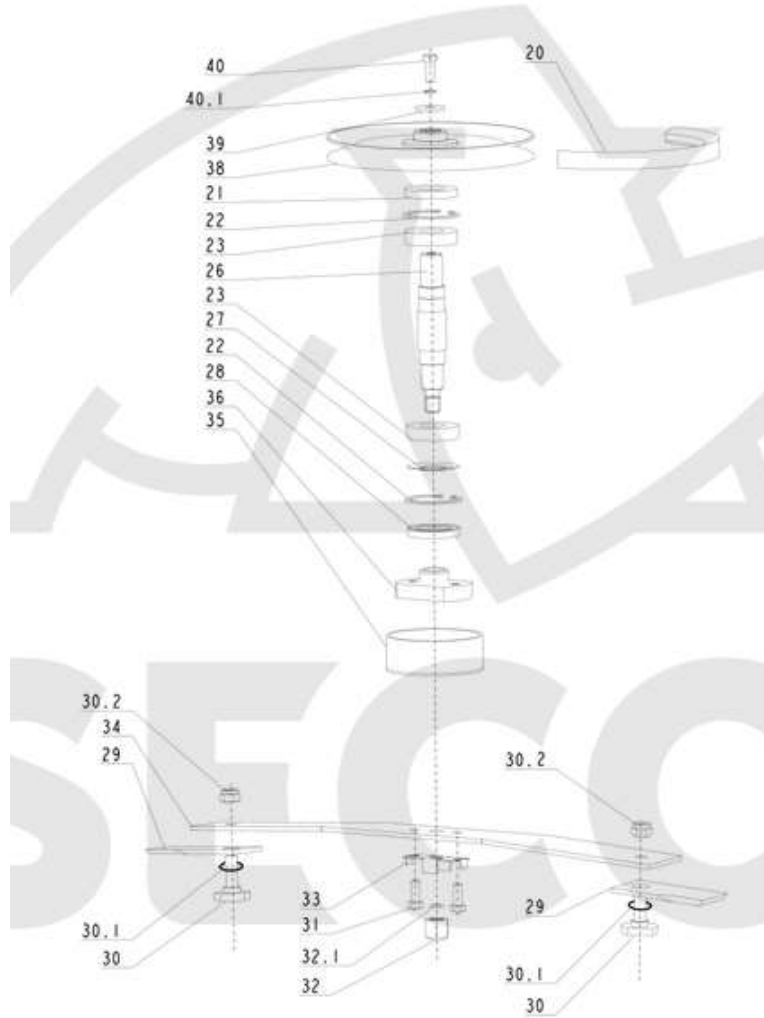


ID	Name	Item code	No.	UOM	Price
1	Cutting deck	S532950472093	1	KS	EUR /
10	Pin	S532093117613	2	KS	EUR /
11	Cutting deck side	S532950422493	1	KS	EUR /
12	Shield rear, right	S532085406223	1	KS	EUR /
13	Shield rear right 0-8532-389	N273192022	1	KS	EUR /
14	Screw M8X20	N309503518	3	KS	EUR /
14.1	Washer 9 Zinc	N311212508	3	KS	EUR /
14.2	Nut M 8	N311129501	3	KS	EUR /
15	Shield 0-8530-600	N273192016	1	KS	EUR /
16	Screw M8X20	N309503518	5	KS	EUR /
16.1	Washer 9 Zinc	N311212508	5	KS	EUR /
16.2	Nut M 8	N311129501	5	KS	EUR /
17	Shield rear, left	S532085406233	1	KS	EUR /
18	Shield rear left 0-8532-390	N273192023	1	KS	EUR /
19	Screw M8X20	N309503518	3	KS	EUR /
19.1	Washer 9 Zinc	N311212508	3	KS	EUR /
19.2	Nut M 8	N311129501	3	KS	EUR /
2	Screw M8X20	N309503518	4	KS	EUR /
22	Screw M 8X25	N309203517	3	KS	EUR /
22.1	Washer 8	N311214502	3	KS	EUR /
22.2	Washer 8.4	N311210503	3	KS	EUR /
2.1	Washer 9 Zinc	N311212508	4	KS	EUR /
2.2	Nut M 8	N311129501	4	KS	EUR /
3	Shield 0-8532-388	N273192021	1	KS	EUR /
4	Shield front, left	S532085406213	1	KS	EUR /
41	Foot	S532014408873	2	KS	EUR /
42	Foot	S532014408883	1	KS	EUR /
5	Screw M8X20	N309503518	3	KS	EUR /
5.1	Washer 9 Zinc	N311212508	3	KS	EUR /
5.2	Nut M 8	N311129501	3	KS	EUR /
6	Shield	S532085406203	1	KS	EUR /
7	Shield 0-8532-386	N273192020	1	KS	EUR /
8	Lock ring 7	N311732002	4	KS	EUR /
9	Spring 0-9746-480	N315231221	2	KS	EUR /

Model: KSC2A-11-0001

Group: KSC08-11-0001

Crossjet mowing unit 2

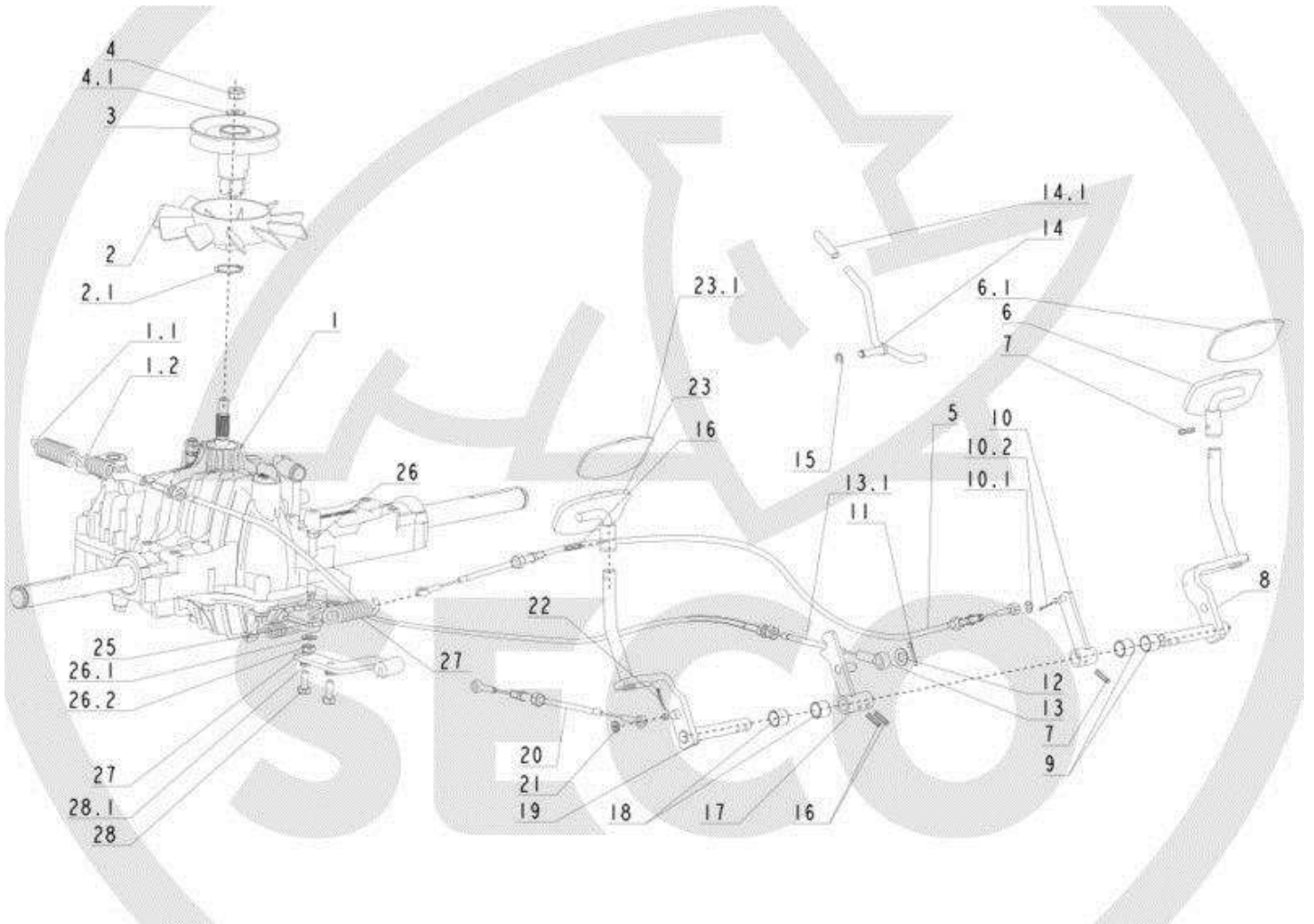


ID	Name	Item code	No.	UOM	Price
20	V-Belt 17X1890 Li OPTIBELT	N272731213	1	KS	EUR /
21	Shaft sealing 35x72x10 GP	N273521179	1	KS	EUR /
22	Lock ring 72	N311733093	2	KS	EUR /
23	Bearing 6207 2 RS	N324162095	2	KS	EUR /
26	Cutting shaft	S532038152183	1	KS	EUR /
27	Cap	S532029472013	1	KS	EUR /
28	Shaft sealing 40x72x10 GP	N273521178	1	KS	EUR /
29	Blade pair	S532950602033	1	KS	EUR /
30	Blade screw	S532090164643	2	KS	EUR /
30.1	Ring 22X2	N273111027	2	KS	EUR /
30.2	Nut M 16 Din 985-8-A3E	N311129503	2	KS	EUR /
31	Screw M 12X30	N309503503	2	KS	EUR /
32	Nut 0-9125-226	N532150440	1	KS	EUR /
32.1	Washer NL 20 glued Zinc	N311219514	1	KS	EUR /
33	Washer	S532092304123	1	KS	EUR /
34	Carrier	S532050412233	1	KS	EUR /
35	Cap	S532939352013	1	KS	EUR /
36	Flange	S532098212433	1	KS	EUR /
38	Pulley complete	S532933252803	1	KS	EUR /
39	Washer	S532092207873	1	KS	EUR /
40	Screw M 12X30	N309503503	1	KS	EUR /
40.1	Washer 12	N311214504	1	KS	EUR /

Model: KSC2A-11-0001

Group: KSC09-11-0001

Crossjet control 1

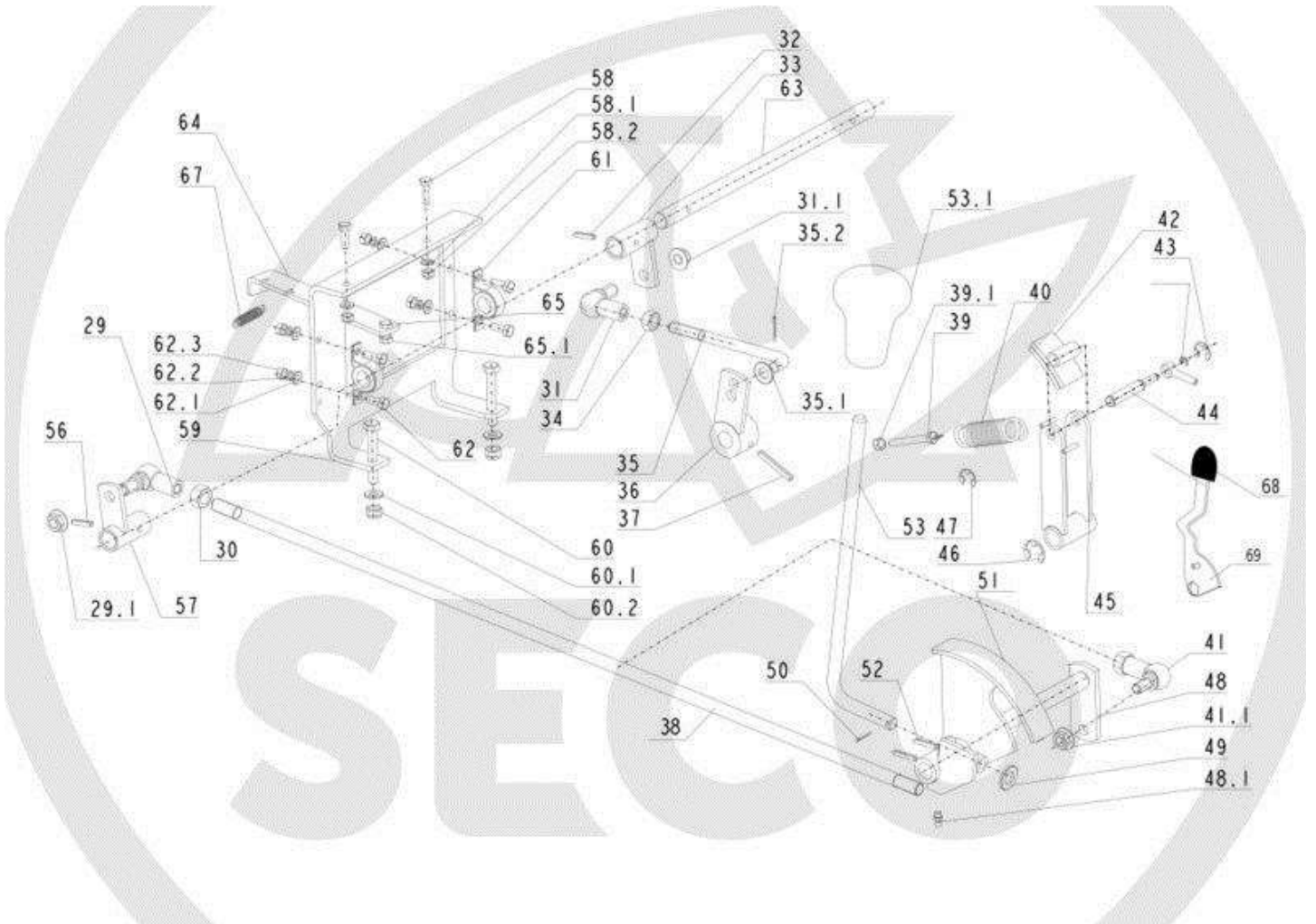


ID	Name	Item code	No.	UOM	Price
1	Transmission K664 E Tuff Torq	N532991058	1	KS	EUR /
10	Hub complete	S532929362183	1	KS	EUR /
10.1	Washer 6.4	N311210502	1	KS	EUR /
10.2	Spindle 2x14	N311338532	1	KS	EUR /
11	Spindle 3.2x20	N311338516	1	KS	EUR /
12	Washer 10.5	N311210504	1	KS	EUR /
13	Connecting brake cable 9-8074-304	N443900121	1	KS	EUR /
13.1	Tie RT 360 /L=200/	N532150332	2	KS	EUR /
14	Brake arrestment	S532980463353	1	KS	EUR /
14.1	Cover 8X40 Vinyl-Flex black	N532150209	1	KS	EUR /
15	Lock ring 6	N311732007	1	KS	EUR /
16	Spring Pin 5X22	N315238037	3	KS	EUR /
17	Travel lever complete	S532980463233	1	KS	EUR /
18	Bushing 1425 KU Teflon	N323721011	2	KS	EUR /
19	Brake pedal	S532980463293	1	KS	EUR /
1.1	Spring TZ 1.6x14.4x56x20 Zinc	N315231042	1	KS	EUR /
1.2	Spring 0-9746-487	N315231230	1	KS	EUR /
2	Cooling fan 4X4	S532075412033	1	KS	EUR /
20	Connecting brake cable 9-8074-307	N443900120	1	KS	EUR /
21	Washer 6.4	N311210502	1	KS	EUR /
22	Spindle 2x14	N311338532	1	KS	EUR /
23	Brake pedal	S532980463183	1	KS	EUR /
23.1	Pedal coating 273 151 010 160	N273151001	1	KS	EUR /
24	Spring 0-9746-493 Diff.lock	N315231239	1	KS	EUR /
25	Foot complete	S532980365163	1	KS	EUR /
26	Screw M 8X25	N309203517	1	KS	EUR /
26.1	Washer 8.4	N311210503	1	KS	EUR /
26.2	Nut M 8	N311129501	1	KS	EUR /
27	Holder	S532913462813	1	KS	EUR /
28	Screw M8X30 DIN 7500D BN 3326	N309578518	2	KS	EUR /
28.1	Washer 8	N311214502	2	KS	EUR /
2.1	Lock ring 28	N311733016	1	KS	EUR /
3	Travel pulley	S532933252873	1	KS	EUR /
4	Nut M 10	N311129502	1	KS	EUR /
4.1	Washer 10.5	N311210504	1	KS	EUR /
5	Connecting Diff.lock cable 9-8074	N443900119	1	KS	EUR /
6	Diff-lock pedal	S532980463173	1	KS	EUR /
6.1	Pedal coating 273 151 010 160	N273151001	1	KS	EUR /
7	Spring Pin 5X22	N315238037	2	KS	EUR /
8	Diff. lock pedal	S532980463303	1	KS	EUR /
9	Bushing 1425 KU Teflon	N323721011	2	KS	EUR /

Model: KSC2A-11-0001

Group: KSC10-11-0001

Crossjet control 2

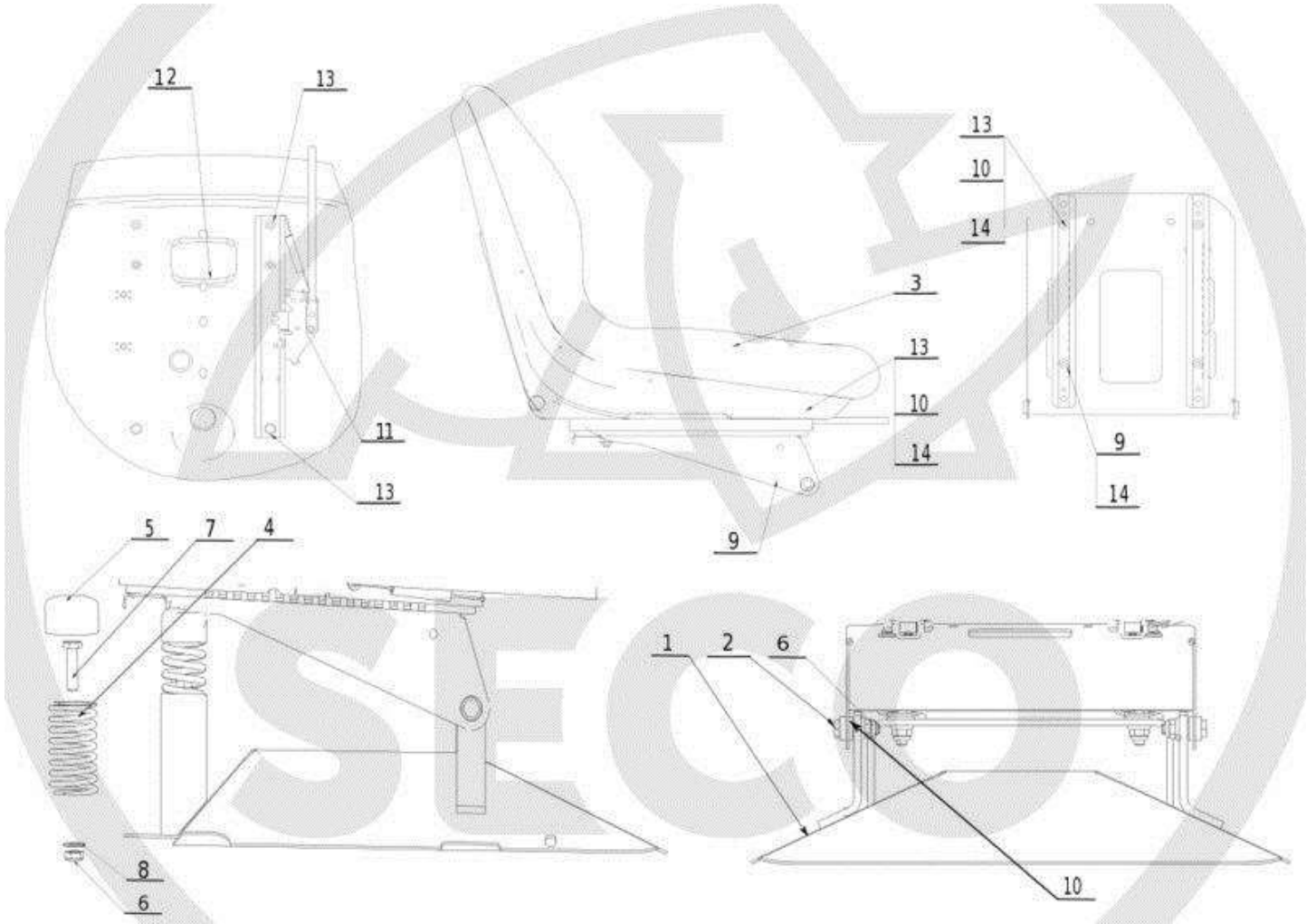


ID	Name	Item code	No.	UOM	Price
29	Nut M 12 DIN 6923 8 Zinc. toothed	N311129521	2	KS	EUR /
29	Angular joint 16 R DIN71802CS M12	N442073020	1	KS	EUR /
30	Nut M 12	N311150505	1	KS	EUR /
31	Angular joint 16 DIN 71802 C M10	N442073021	1	KS	EUR /
31.1	Nut M 10 DIN 6923 8 Zinc. toothed	N311129516	1	KS	EUR /
32	Spring Pin 5X22	N315238037	1	KS	EUR /
33	Hub	S532929362143	1	KS	EUR /
34	Nut M 10	N311150506	1	KS	EUR /
35	Travel tie-rod 0-8040-292	N532150496	1	KS	EUR /
36	Lever complete	S532929462043	1	KS	EUR /
37	Spring pin 6X40	N315238049	1	KS	EUR /
38	Tie-rod 0-8010-275	N532150426	1	KS	EUR /
39	Screw M 6x50 with eye BN1006 Zinc	N309578514	1	KS	EUR /
39.1	Nut M 6	N311129513	1	KS	EUR /
40	Spring 0-9746-487	N315231230	1	KS	EUR /
41	Angular joint 16 L DIN71802CS M12	N442073019	1	KS	EUR /
41.1	Nut M12 left	N311120539	1	KS	EUR /
42	Brake lining	S532917722013	1	KS	EUR /
43	Lock ring 4	N311732001	1	KS	EUR /
44	Pin	S532193103723	1	KS	EUR /
45	Hub complete	S532929362203	1	KS	EUR /
46	Lock ring 12	N311732009	1	KS	EUR /
47	Lock ring 7	N311732002	2	KS	EUR /
48	Travel pin	S532993362853	1	KS	EUR /
48.1	Lubricating head MK 6x1	N425111004	1	KS	EUR /
49	Washer 13	N311210505	1	KS	EUR /
50	Spindle 2x20	N311338501	1	KS	EUR /
51	Hub of travel shifting	S532929462083	1	KS	EUR /
52	Spring pin 5X25	N315238036	2	KS	EUR /
53	Travel lever	S532980463253	1	KS	EUR /
53.1	Handle 1066 PR. 12 black	N532150341	1	KS	EUR /
56	Spring Pin 5X22	N315238037	1	KS	EUR /
57	Hub	S532929362193	1	KS	EUR /
58	SCREW M 8X55	N309201519	1	KS	EUR /
58.1	Washer 6.4	N311210502	1	KS	EUR /
58.2	Nut M 6	N311129513	1	KS	EUR /
59	Operation holder	S532113413943	1	KS	EUR /
60	SCREW M 8X55	N309201519	2	KS	EUR /
60.1	Washer 8.4	N311210503	2	KS	EUR /
60.2	Nut M 8	N311129501	2	KS	EUR /
61	Bearing	S532994352013	2	KS	EUR /
62	Screw M 6X18	N309503557	4	KS	EUR /
62.1	Washer 6.4	N311210502	4	KS	EUR /

62.2	Washer 6	N311214501	4	KS	EUR /
62.3	Nut M6	N311150504	4	KS	EUR /
63	Control drive SHAFT	S532038102793	1	KS	EUR /
64	Thrust tie rod	S532080402913	1	KS	EUR /
65	Screw M6X20	N309203502	1	KS	EUR /
65.1	Nut M 6	N311129513	1	KS	EUR /
66	Washer 6.6 Zinc	N311212516	1	KS	EUR /
67	Spring TZ 080.088.0312 Zinc	N315231224	1	KS	EUR /
68	Cover 25X25RX70 vinyl black	N532151107	1	KS	EUR /
69	Sensitive drive lever	S532914322533	1	KS	EUR /

Model: KSC2A-11-0001
Group: KSC11-11-0001

Crossjet hood 1

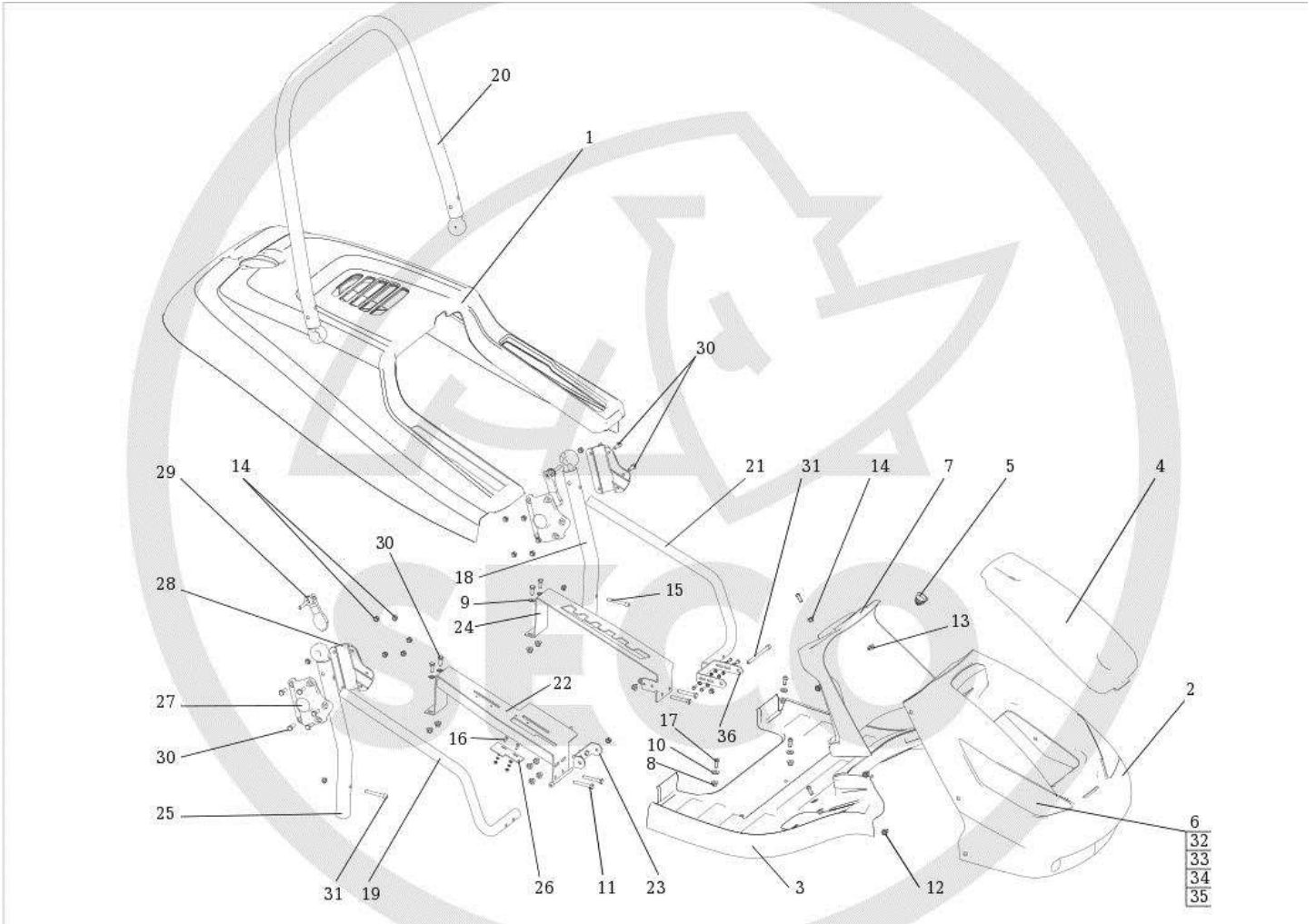


ID	Name	Item code	No.	UOM	Price
1	Cover	S532985478023	1	KS	EUR /
2	Carrier screw	S532090164623	2	KS	EUR /
3	Seat SP 480 Milsco	N532150988	1	KS	EUR /
4	Spring 0-9746-503	N315231262	2	KS	EUR /
5	Cover 38 black	N532151103	2	KS	EUR /
6	Nut M 8	N311129501	4	KS	EUR /
7	SCREW M 8X40	N309203564	2	KS	EUR /
8	Washer 9 Zinc	N311212517	4	KS	EUR /
9	Seat carrier	S532918473233	1	KS	EUR /
10	Washer 8.4	N311210503	9	KS	EUR /
11	Mechanism Cobo sliding	N532150562	1	KS	EUR /
12	Seat switch DELTA 6500-02	N532150990	1	KS	EUR /
13	Screw M 8X20	N309543506	9	KS	EUR /
14	Nut M 8 DIN 6926 8 Zinc	N532150290	5	KS	EUR /

Model: KSC2A-11-0001

Group: KSC12-11-0001

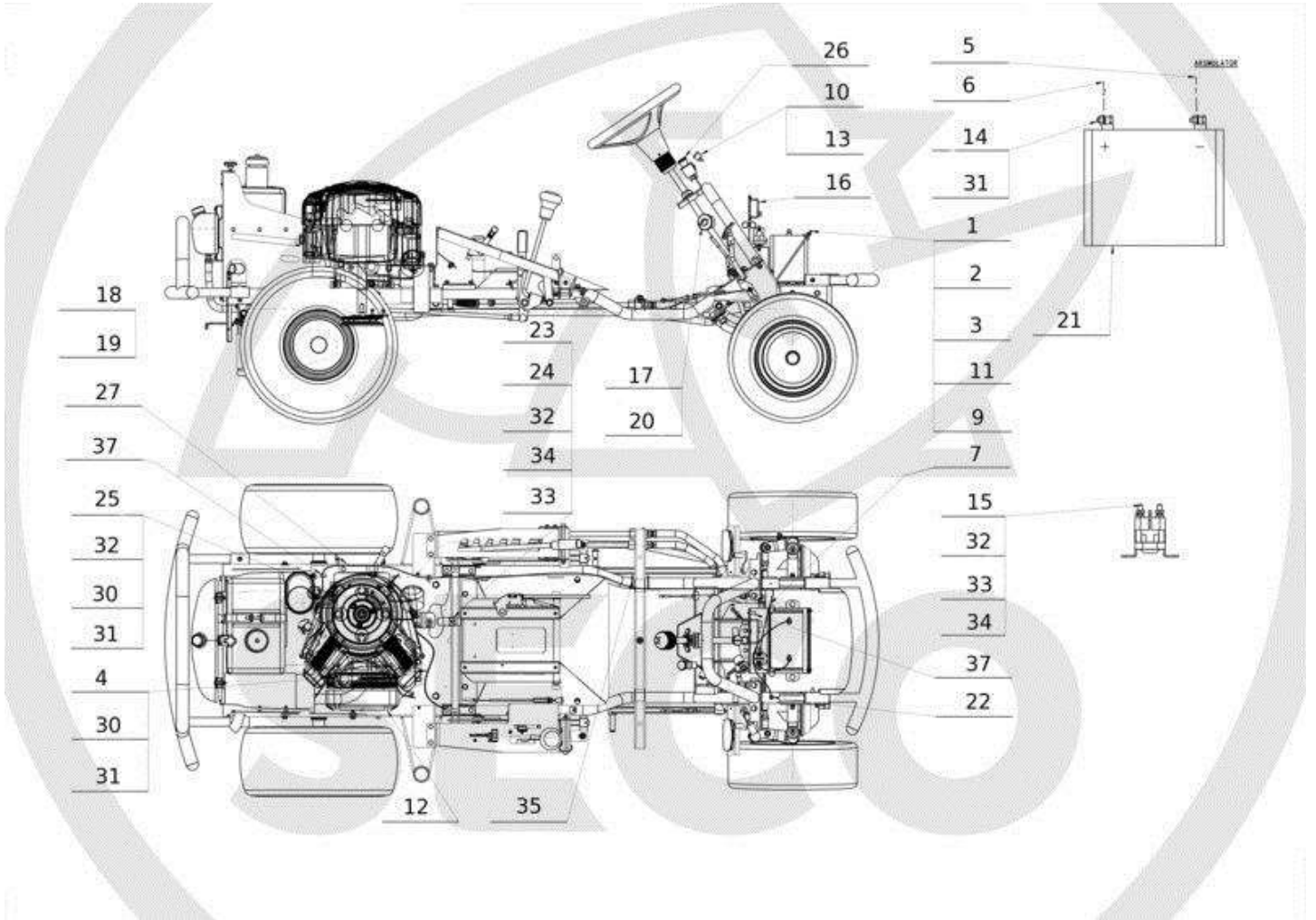
Crossjet hood 2



ID	Name	Item code	No.	UOM	Price
1	Hood 9-1847-331 Crossjet	N532151111	1	KS	EUR /
2	Hood 9-1849-377 with lights	N532151112	1	KS	EUR /
3	Floor 0-1847-428 SC	N532151113	1	KS	EUR /
4	Battery cover 0-1847-429 SC	N532151114	1	KS	EUR /
5	Lock, turning E5-1-115-091	N549761001	1	KS	EUR /
6	Lights cable harness	N341271159	1	KS	EUR /
7	Panel 0-8048-329 SC	N532151115	1	KS	EUR /
8	Nut M 8	N311150503	7	KS	EUR /
9	Washer 8.4	N311210503	7	KS	EUR /
10	Washer 10.5	N311210504	7	KS	EUR /
11	Screw M8x80	N309501571	4	KS	EUR /
12	Seating D7-201-802-010	N532150903	9	KS	EUR /
13	Pin D7-201-711-010	N532150904	9	KS	EUR /
14	Nut M 8	N311129501	30	KS	EUR /
15	Screw M 8x55 8.8 A2L ISO 4762	N309543010	2	KS	EUR /
16	Screw M 6X20 DIN 912 8.8 ZINK	N309503575	2	KS	EUR /
17	Screw M 8x20 ISO 7380 10.9 Zinc	N309578522	8	KS	EUR /
18	Frame pipe Left	S532985423833	1	KS	EUR /
19	Handle right	S532013425593	1	KS	EUR /
20	Folding frame complete	S532985423853	1	KS	EUR /
21	Handle left	S532013425603	1	KS	EUR /
22	Shifting holder	S532913463323	1	KS	EUR /
23	Hood holder right Complete	S532913413253	1	KS	EUR /
25	Frame pipe Right	S532985423843	1	KS	EUR /
26	Foot	S532080302843	1	KS	EUR /
27	Tube connection A 01847-431	N532151104	2	KS	EUR /
28	Tube connection B 01847-432	N532151105	2	KS	EUR /
29	Excentric lever 0432-201108X50	N532151102	2	KS	EUR /
30	Screw M8X20	N309503518	15	KS	EUR /
31	Screw M 8X120	N309543524	2	KS	EUR /
32	Cover glas for reflector (pair)	N532151134	1	SD	EUR /
33	Reflector headlight (pair) Crossj	N532151135	1	SD	EUR /
34	Headlight Crossjet (spare part)	N532151136	1	SD	EUR /
35	Lightbulb 12V 20W, header GV4	N347224008	2	KS	EUR /
36	Hood holder left	S532113415343	1	KS	EUR /
37	Control star STG2A 40 M6X15	N532150980	1	KS	EUR /

Model: KSC2A-11-0001
Group: KSC13-11-0001

Crossjet electrical installation



ID	Name	Item code	No.	UOM	Price
1	Battery holder	S532113403243	1	KS	EUR /
2	WASHER 0-9630-307 T3	N273192028	1	KS	EUR /
3	Wire 0-9040-203	N532150464	2	KS	EUR /
4	Cable 9-8316-587	N341271058	1	KS	EUR /
5	Cable 9-8316-586	N341271057	1	KS	EUR /
6	Cable 9-8316-588	N341271059	1	KS	EUR /
7	Cable harness KS004026 SC	N341271158	1	KS	EUR /
8	Rivet 282702	N532151116	2	KS	EUR /
9	Nut M5	N311129515	2	KS	EUR /
10	Hour-meter SEN DEC DIGITAL	N443433003	1	KS	EUR /
11	Washer 5.5 Zinc DIN9021A	N311212514	2	KS	EUR /
12	Protective diodes harness 9-8316-	N341271052	1	KS	EUR /
13	Label KS004020	N283292733	1	KS	EUR /
14	Screw M 6X20	N309503548	2	KS	EUR /
15	Solenoid Trombetta 764-1221-210	N532151619	1	KS	EUR /
16	Module KS004028 SC	N341271160	1	KS	EUR /
17	Switch box Delta 6900-47 P	N443861007	1	KS	EUR /
18	Microswitch MKO-10-01/408312001	N358113026	1	KS	EUR /
19	Washer 12x18x0.5 DIN 988 L07	N311219499	2	KS	EUR /
20	Starting key DELTA 688P-001	N443900137	1	SD	EUR /
21	Battery 12V-32Ah ETECH F-ET-U1-R3	N346211009	1	KS	EUR /
22	Screw ST 6.3X32 DIN 7504 K	N309315013	1	KS	EUR /
23	Spring element	S532097302223	1	KS	EUR /
24	Safety washer	S532092412463	1	KS	EUR /
25	Switch holder	S532113413963	1	KS	EUR /
26	Switch PTO Delta 6201-321	N345329022	1	KS	EUR /
27	Holder	S532913462783	1	KS	EUR /
29	Washer	S532092207513	1	KS	EUR /
30	Washer 6	N311214501	3	KS	EUR /
31	Nut M6	N311150504	5	KS	EUR /
32	Screw M6X16	N309503508	5	KS	EUR /
33	Washer 6.4	N311210502	3	KS	EUR /
34	Nut M 6	N311129513	3	KS	EUR /
35	Tie RT 360 /L=200/	N532150332	10	KS	EUR /
36	Tie RT 360 /L=150/	N532150207	2	KS	EUR /
37	Clip WSBH 1-0-1	N532150211	5	KS	EUR /

Model: KSC2A-11-0001
Group: KSC14-11-0001

Crossjet labels

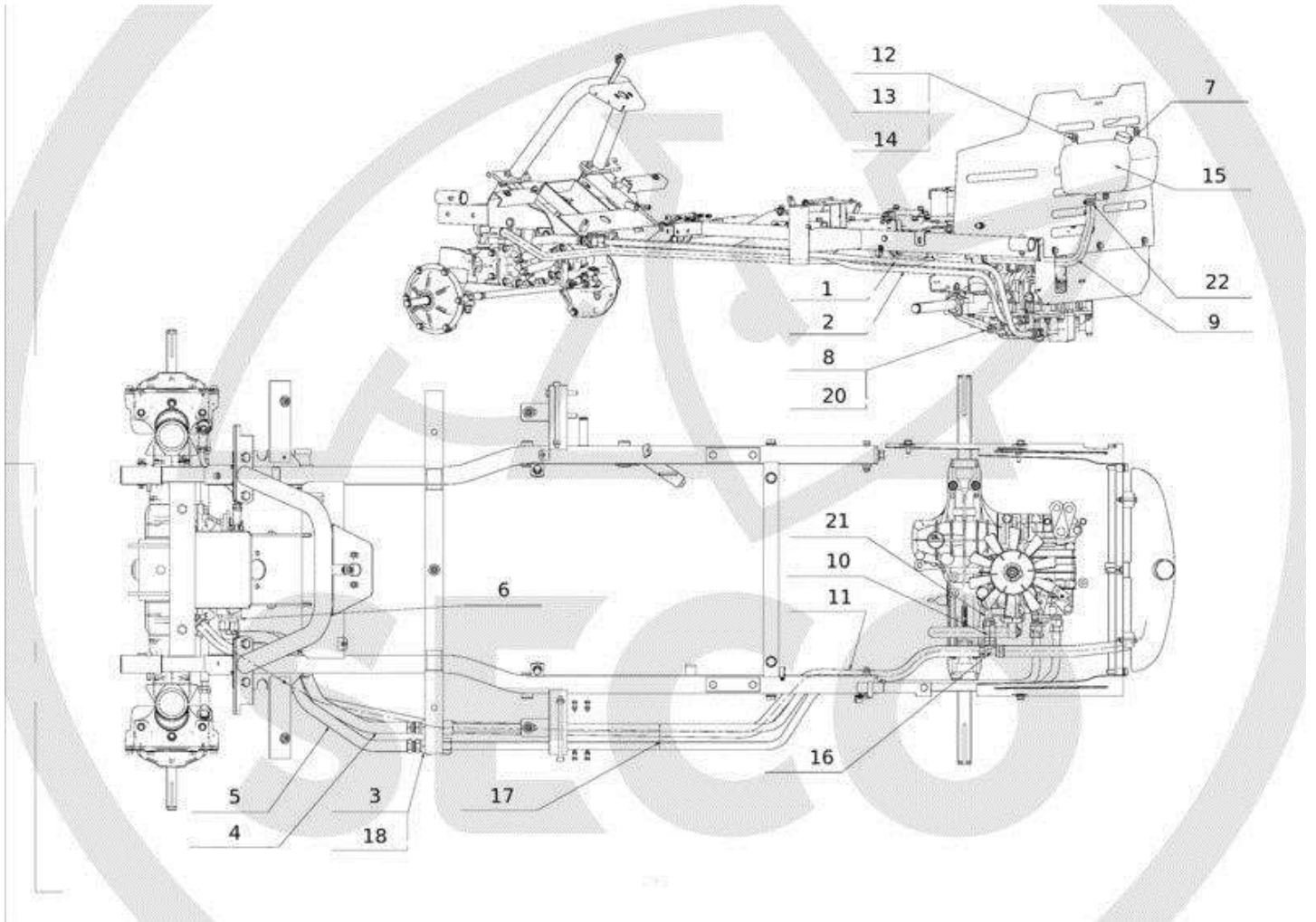


ID	Name	Item code	No.	UOM	Price
1	Label 0-8730-510	N283292121	1	KS	EUR /
2	Label 0-8732-242	N283292157	1	KS	EUR /
3	Label 0-8732-337	N283292223	1	KS	EUR /
4	Label 0-8732-542 - read manual	N283292237	1	KS	EUR /
5	Label 0-8732-395	N283292302	1	KS	EUR /
6	Label 0-8732-482	N283292408	1	KS	EUR /
7	Label 0-8732-483	N283292409	1	KS	EUR /
8	Label 0-8732-523	N283292414	1	KS	EUR /
9	Label 0-8732-533	N283292419	1	KS	EUR /
10	Label 0-8732-544 Diff.lock	N283292425	1	KS	EUR /
1	Label 0-8732-559 Noise 100 dB	N283292437	1	KS	EUR /
12	Label 0-8732-786	N283292666	1	KS	EUR /
13	Label 0-8732-891	N283292751	1	KS	EUR /
14	Label. 0-8732-863	N283292752	1	KS	EUR /
15	Label 0-8732-863	N283292753	1	KS	EUR /
16	Customer labels set	S532000000000	1	KS	EUR /
17	Label 0-8730-566	N548231006	1	KS	EUR /
18	Label - battery warning 0-8730-52	N735411025	1	KS	EUR /
19	Label - exhaust warning 0-8730-52	N735411026	1	KS	EUR /

Model: KSC2A-11-0001

Group: KSC19-11-0001

Crossjet hydraulic distribution

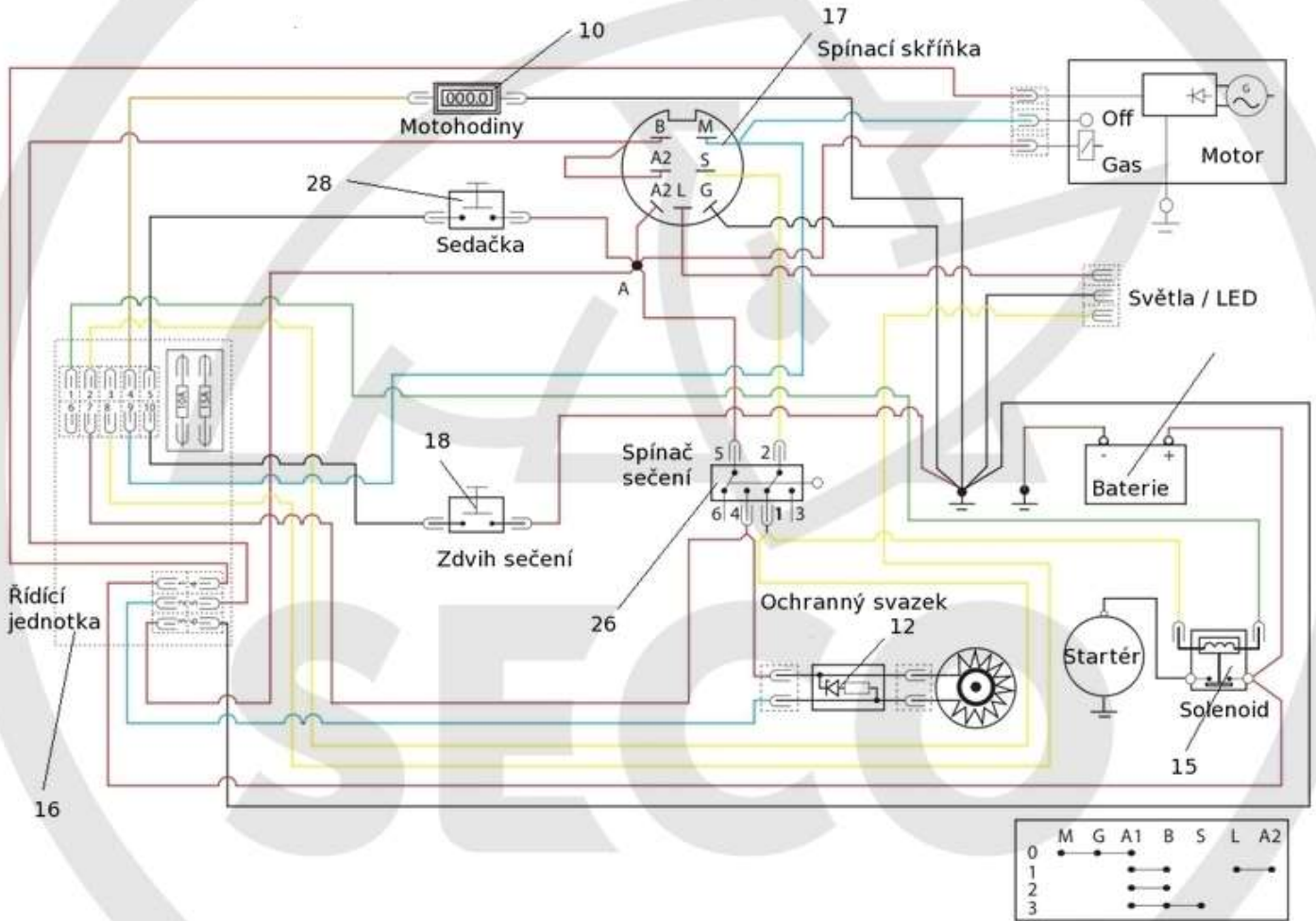


ID	Name	Item code	No.	UOM	Price
1	Tube bottom GWT-1538-2-ZN	N532150962	1	KS	EUR /
2	Tube upper GWT-1538-1-ZN	N532150963	1	KS	EUR /
3	Clutch SVL-15 direct panel	N336681011	2	KS	EUR /
4	Hydraulic hose DN12-470	N336631106	1	KS	EUR /
5	Hydraulic hose DN12-490	N336631107	1	KS	EUR /
6	Throat XAL 15-3/4 UNF WD	N336681010	2	KS	EUR /
7	stop gap 1-9310-763	N532150766	1	KS	EUR /
8	Hydraulic hose DN10-580	N336631108	1	KS	EUR /
9	Hose exp. tank	S532082204203	1	KS	EUR /
10	Hose exp.	S532082204213	1	KS	EUR /
11	Hose exp.	S532082204223	1	KS	EUR /
12	Screw M 5X35	N309203556	3	KS	EUR /
13	Washer 5.5 Zinc DIN9021A	N311212514	6	KS	EUR /
14	Nut M 5 DIN 6926 Zinc	N311129524	3	KS	EUR /
15	Tank 0-2766-217	N232130017	1	KS	EUR /
16	Clip TS 13	N532151101	1	KS	EUR /
17	Tie RT 360 /L=200/	N532150332	8	KS	EUR /
18	Nut KML-15	N336681014	4	KS	EUR /
19	Conection 331X3.6	N532150929	2	KS	EUR /
20	Throat 9/16-18 UNF/M18x1.5DIN2353	N336681015	2	KS	EUR /
21	Throat complete 9-8246-209	N532991060	1	KS	EUR /
22	Wire screw-in clip W19-22mm	N548241022	6	KS	EUR /

Model: KSC2A-11-0001

Group: KSC13-11-0033

Crossjet wiring diagram



ID	Name	Item code	No.	UOM	Price
10	Hour-meter SEN DEC DIGITAL	N443433003	1	KS	EUR /
17	Switch box Delta 6900-47 P	N443861007	1	KS	EUR /
28	Contact	N345329017	1	KS	EUR /
16	Module KS004028 SC	N341271160	1	KS	EUR /
18	Microswitch MKO-10-01/408312001	N358113026	1	KS	EUR /
26	Switch PTO Delta 6201-321	N345329022	1	KS	EUR /
21	Battery 12V-32Ah ETECH F-ET-U1-R3	N346211009	1	KS	EUR /
12	Protective diodes harness 9-8316-	N341271052	1	KS	EUR /
15	Solenoid Trombetta 764-1221-210	N532151619	1	KS	EUR /