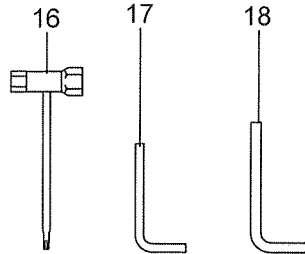
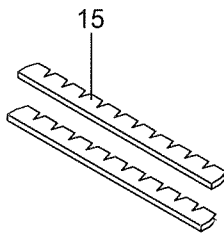
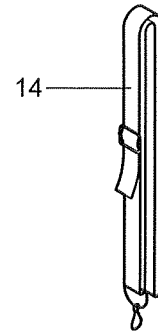
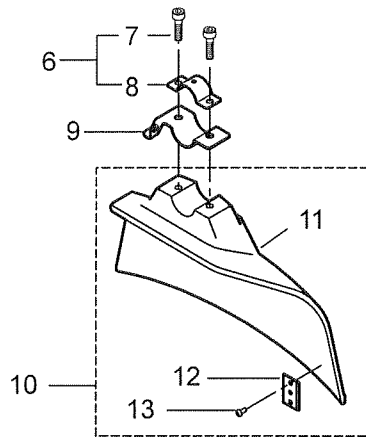
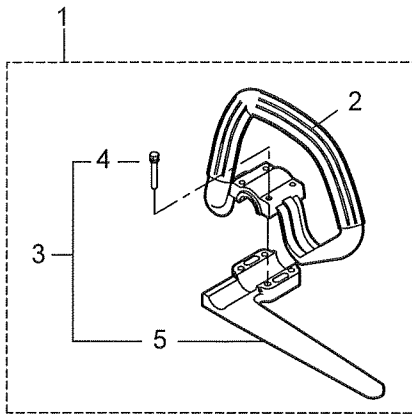


Gear case and Driving apparatus
KAAZ
220123

17-Nov-2009
00

(A): VS256
(B):
(C):

Ref.No	Parts.No	Parts.Name	Q'ty			Remarks	Recomm(%) Lot.100
			(A)	(B)	(C)		
1	71008-357	GEAR CASE ASS'Y	1				
2	71130-174	MAIN PIPE C.P.	1				
3	64011-163	MAIN SHAFT	1				
4	71056-216	THROTTLE LEVER ASS'Y	1				
5	71010-246	CLUTCH CASE ASS'Y	1				
6	416N0620	SOCKET SCREW	4				
7	11024-126-09	STAND	1				



Handle and Fitting
KAAZ
220123

17-Nov-2009
00

(A): VS256
(B):
(C):

Ref.No	Parts.No	Parts.Name	Q'ty			Remarks	Recomm(%) Lot.100
			(A)	(B)	(C)		
1	71304-101	SINGLE HANDLE SET	1				
2	51023-143	SINGLE HANDLE	1				
3	71138-109	HANDLE BRACKET SET	1				
4	416U0535	SOCKET SCREW	4				
5	51116-140	HANDLE BRACKET	1				
6	71038-183	GUARD BAND SET	1				
7	31057-306	BOLT	2				
8	11029-134	SAFETY GUARD BAND	1				
9	11029-143	SAFETY GUARD BAND	1				
10	71303-103	SAFETY GUARD SET	1				
11	36046-144	SAFETY GUARD	1				
12	91014-177	BLADE	1				
13	474L0410	(+)TAPPING SCREW	2				
14	36063-189	SHOULDER BAND	1				
15	36044-107	BLADE COVER	1				
16	66006-120	BOX SPANNER (13x19)	1				
17	66007-103	L WRENCH (4)	1				
18	66007-104	L WRENCH (5)	1				