

Frame Assembly, Ensemble Châssis, Cjto. Estructura, Montagem do Estrutura

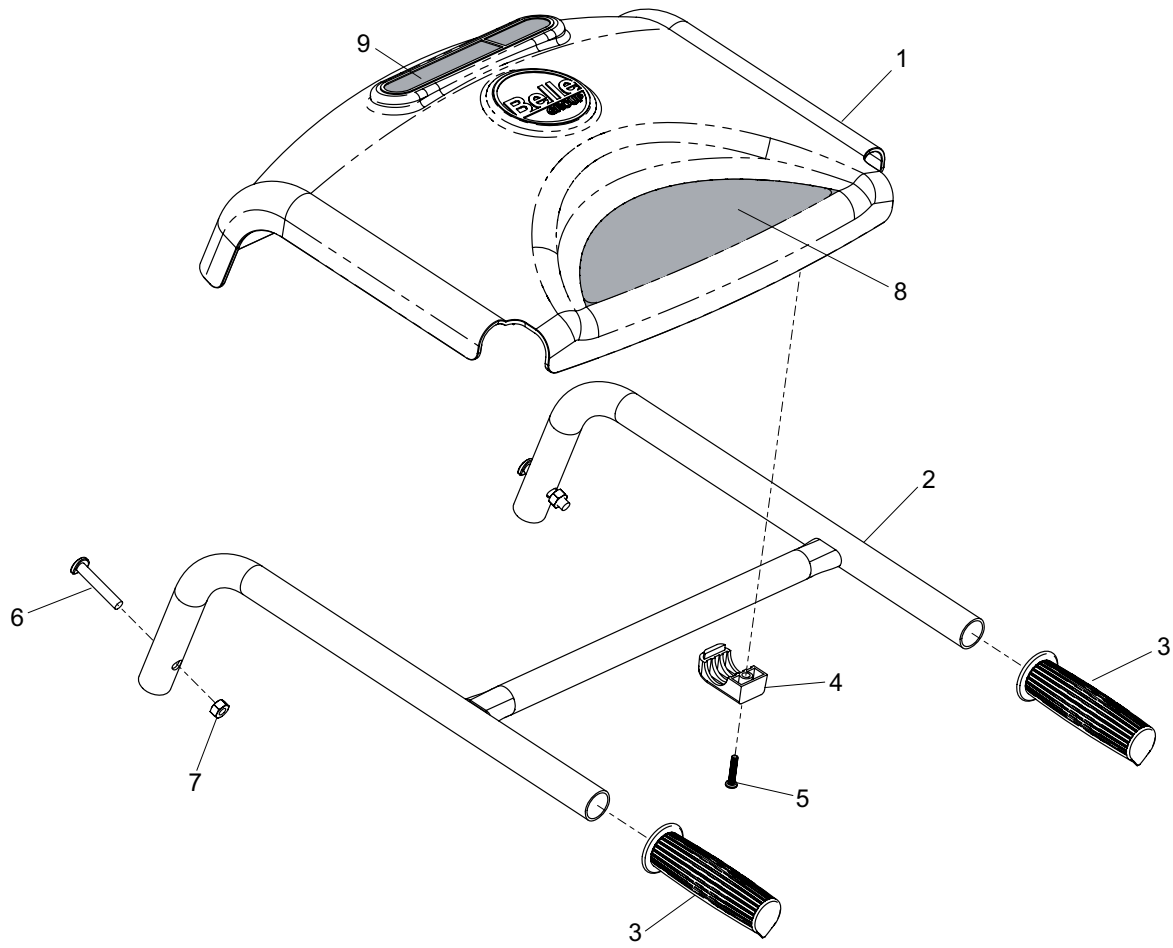
| | | | | | | |
|----|------------------|---------------------|--------------------------------|-------------------------|---------------------------|---------------------------------|
| 1 | 900/24800..... | Frame | Châssis | Estructura | Estrutura..... | 1 |
| 2 | CMS12SP..... | Drum..... | Tambour..... | Tambor | Tambor..... | 1 |
| 3 | 60/0286..... | Wheel | Roue | Rueda | Roda..... | 2 |
| 4 | 900/37600..... | Gearbox..... | Boîte de Vitesses | Caja de Engranajes..... | Caixa de Engrenagens..... | 10/04 |
| 4 | 900/24700..... | Gearbox..... | Boîte de Vitesses | Caja de Engranajes..... | Caixa de Engrenagens..... | 07/99, 10/04 |
| 5 | 900/99911..... | Stand Clip..... | Collier | Presilla..... | Grampo | 1 |
| 6 | 900/11400..... | Wheel Retainer..... | Molette de Retenue..... | Retén - Rueda..... | Retenedor - Roda..... | 2 |
| 7 | 7/8045..... | Screw | Vis | Tornillo..... | Parafuse..... | M8 x 12.....1 |
| 8 | 9/10005..... | Bolt..... | Boulon..... | Perno..... | Perno..... | M10 x 45.....2 |
| 9 | 8/10009..... | Nut..... | Ecrou..... | Tuerca..... | Porca..... | M10 x 45.....2 |
| 10 | 900/30100..... | Motor Kit..... | Kit De Moteur | Kit Motor..... | Kit do Motor..... | 230v, 50Hz, UK.....1 |
| 10 | 900/30200..... | Motor Kit..... | Kit De Moteur | Kit Motor..... | Kit do Motor..... | 230v, 50Hz, Euro 1 & 2.....1 |
| 10 | 900/30300..... | Motor Kit..... | Kit De Moteur | Kit Motor..... | Kit do Motor..... | 110v, 50Hz, UK.....1 |
| 10 | 900/30400..... | Motor Kit..... | Kit De Moteur | Kit Motor..... | Kit do Motor..... | 230v, 50Hz, AUS.....1 |
| 10 | 900/30500..... | Motor Kit..... | Kit De Moteur | Kit Motor..... | Kit do Motor..... | 415v, 50Hz.....1 |
| 10 | 900/35700..... | Motor Kit..... | Kit De Moteur | Kit Motor..... | Kit do Motor..... | 230v, 50Hz, Euro 3.....1 |
| 10 | 900/32800..... | Motor Kit..... | Kit De Moteur | Kit Motor..... | Kit do Motor..... | 115v, 60Hz, North America.....1 |
| 11 | 7/8037..... | Screw | Vis | Tornillo..... | Parafuse..... | M8 x 20.....2 |
| 12 | 8/8007..... | Nut..... | Ecrou..... | Tuerca..... | Porca..... | M8.....2 |
| 13 | 900/17000..... | Stand Leg..... | Jambe De Quadripied | Pata Soporte | 2 x Boss..... | 1 |
| 14 | 900/17100..... | Stand Leg..... | Jambe De Quadripied | Pata Soporte | 1 x Boss..... | 1 |
| 15 | 900/26600..... | Stand Adapter..... | Adaptateur De Quadripied | Adaptador Soporte | | 1 |
| 16 | 3/1007..... | Linch Pin..... | Goupille..... | Pasador..... | Pino..... | 1 |
| 17 | 900/26500SP..... | Stand Assembly..... | Quadripied..... | Ensamblaje Soporte..... | | 1 |
| 18 | 900/99931..... | Support Plate..... | Plaque De Maintien..... | Placa sujección..... | | 104/02 |
| 18 | 1/0519..... | Paint (Orange)..... | Peinture (Orange)..... | Pintura (Naranja)..... | | 1 Ltr |
| 19 | 800/21250..... | Decal..... | Etiquette..... | Etiqueta..... | Etiqueta..... | 230v, 50Hz (Euro 1).....1 |
| 19 | 800/21251..... | Decal..... | Etiquette..... | Etiqueta..... | Etiqueta..... | 230v, 50Hz (Euro 2).....1 |
| 19 | 800/21252..... | Decal..... | Etiquette..... | Etiqueta..... | Etiqueta..... | 230v, 50Hz (Euro 3).....1 |
| 19 | 800/21260..... | Decal..... | Etiquette..... | Etiqueta..... | Etiqueta..... | 110v, 50Hz (Euro 1).....1 |
| 19 | 800/21261..... | Decal..... | Etiquette..... | Etiqueta..... | Etiqueta..... | 110v, 50Hz (ROW).....1 |
| 19 | 800/21280..... | Decal..... | Etiquette..... | Etiqueta..... | Etiqueta..... | 110v, 60Hz (ROW).....1 |
| 20 | 800/99953..... | Decal..... | Etiquette..... | Etiqueta..... | Etiqueta..... | Belle Group.....1 |
| 21 | 800/99952..... | Decal..... | Etiquette..... | Etiqueta..... | Etiqueta..... | Belle Group.....1 |
| 22 | 800/99809..... | Decal..... | Etiquette..... | Etiqueta..... | Etiqueta..... | Danger Zone.....1 |
| 23 | 800/99780..... | Decal..... | Etiquette..... | Etiqueta..... | Etiqueta..... | GX120 Only.....1 |
| 24 | 900/42200..... | Wheel Kit..... | Ensemble de Roue..... | Conjunto de Rueda..... | Conjunto da Roda..... | 1 |

Power Unit Conversion Kits for Pre July '99 Machines.

| | | | | | | |
|---|----------------|---------------------------|-----------------------------------|---------------------------|------------------|---|
| - | 900/36300..... | Motor Conversion Kit..... | Kit De Conversion De Moteur | Kit Conversor Motor | Honda GXH50..... | 1 |
| - | 900/42300..... | Motor Conversion Kit..... | Kit De Conversion De Moteur | Kit Conversor Motor | Honda GX120..... | 1 |
| - | 900/38200..... | Motor Conversion Kit..... | Kit De Conversion De Moteur | Kit Conversor Motor | Robin..... | 1 |

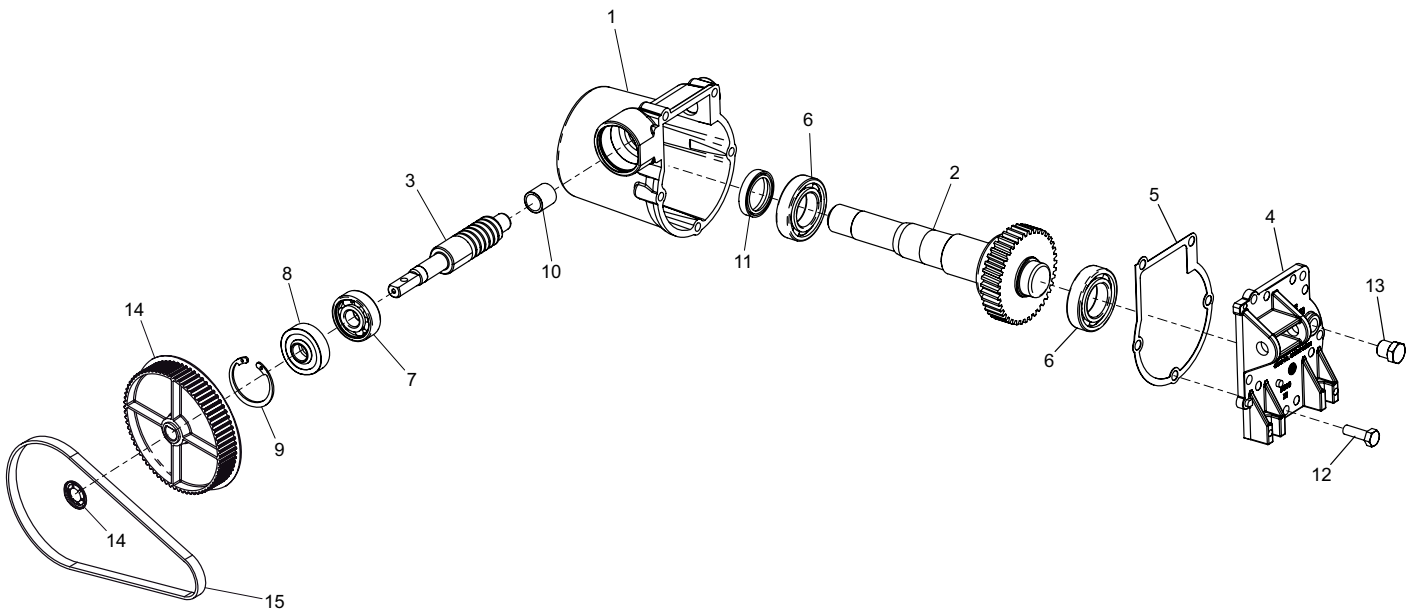
Power Unit Conversion Kits for Post July '99 Machines.

| | | | | | | |
|---|----------------|---------------------------|-----------------------------------|---------------------------|------------|---|
| - | 900/38300..... | Motor Conversion Kit..... | Kit De Conversion De Moteur | Kit Conversor Motor | Robin..... | 1 |
|---|----------------|---------------------------|-----------------------------------|---------------------------|------------|---|



Handle Assembly, Ensemble Poignée, Conjunto de Manillar, Conjunto do Punho

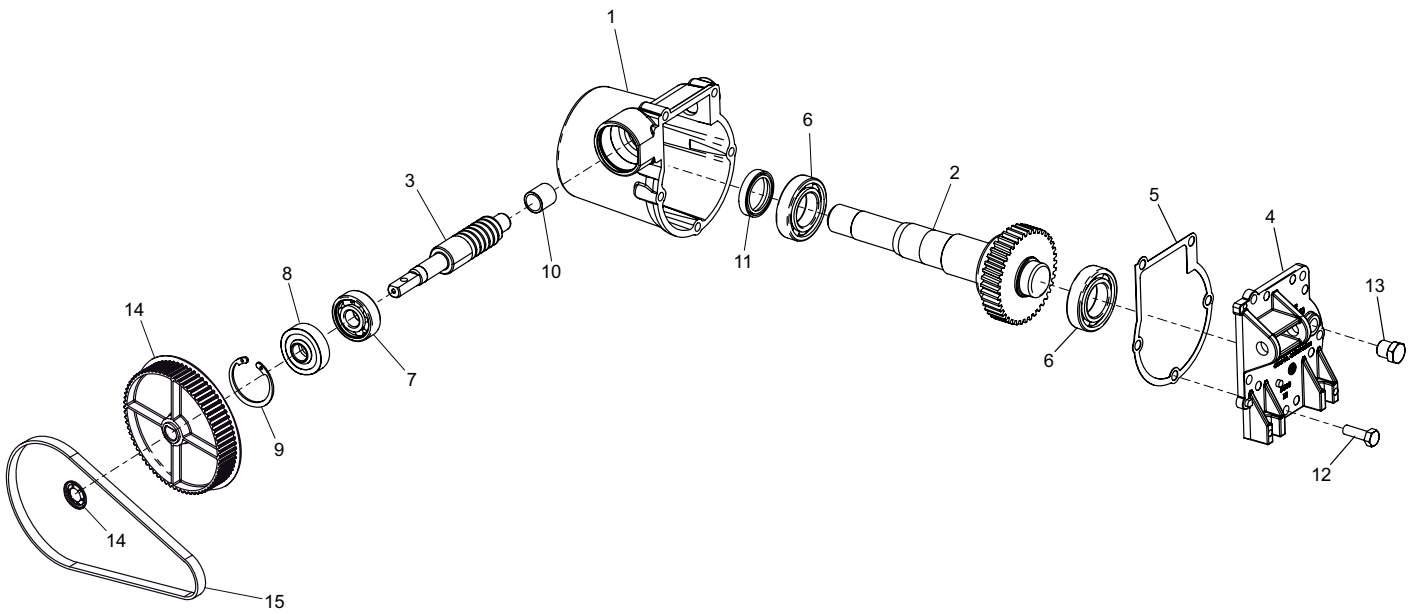
| | | | | | | | | | | | | | |
|---|-----------|-------|-----------|-------|-----------|-------|----------|-------|----------|-------|---------------|-------|---|
| 1 | 900/99914 | | Cover | | Couvercle | | Cubierta | | Tampa | | Minimix | | 1 |
| 1 | 900/99930 | | Cover | | Couvercle | | Cubierta | | Tampa | | Easymix | | 1 |
| 2 | 900/25000 | | Handle | | Poignée | | Manillar | | Punho | | | | 1 |
| 3 | XS35 | | Hand Grip | | Poignée | | Asas | | Mãosotas | | | | 2 |
| 4 | 900/99918 | | Clamp | | Serrage | | Mordaza | | Grampo | | | | 2 |
| 5 | 7/5017 | | Screw | | Vis | | Tornillo | | Parafuse | | 5.5 x 25 | | 2 |
| 6 | 9/8021 | | Bolt | | Boulon | | Perno | | Perno | | M8 | | 2 |
| 7 | 8/8001 | | Nut | | Ecrou | | Tuerca | | Porca | | M8 | | 2 |
| 8 | 800/21300 | | Decal | | Etiquette | | Etiqueta | | Etiqueta | | | | 1 |
| 8 | 800/21302 | | Decal | | Etiquette | | Etiqueta | | Etiqueta | | North America | | 1 |
| 9 | 800/21343 | | Decal | | Etiquette | | Etiqueta | | Etiqueta | | Easymix | | 1 |



Gearbox Assembly (→ Jul '99 → Oct '04)

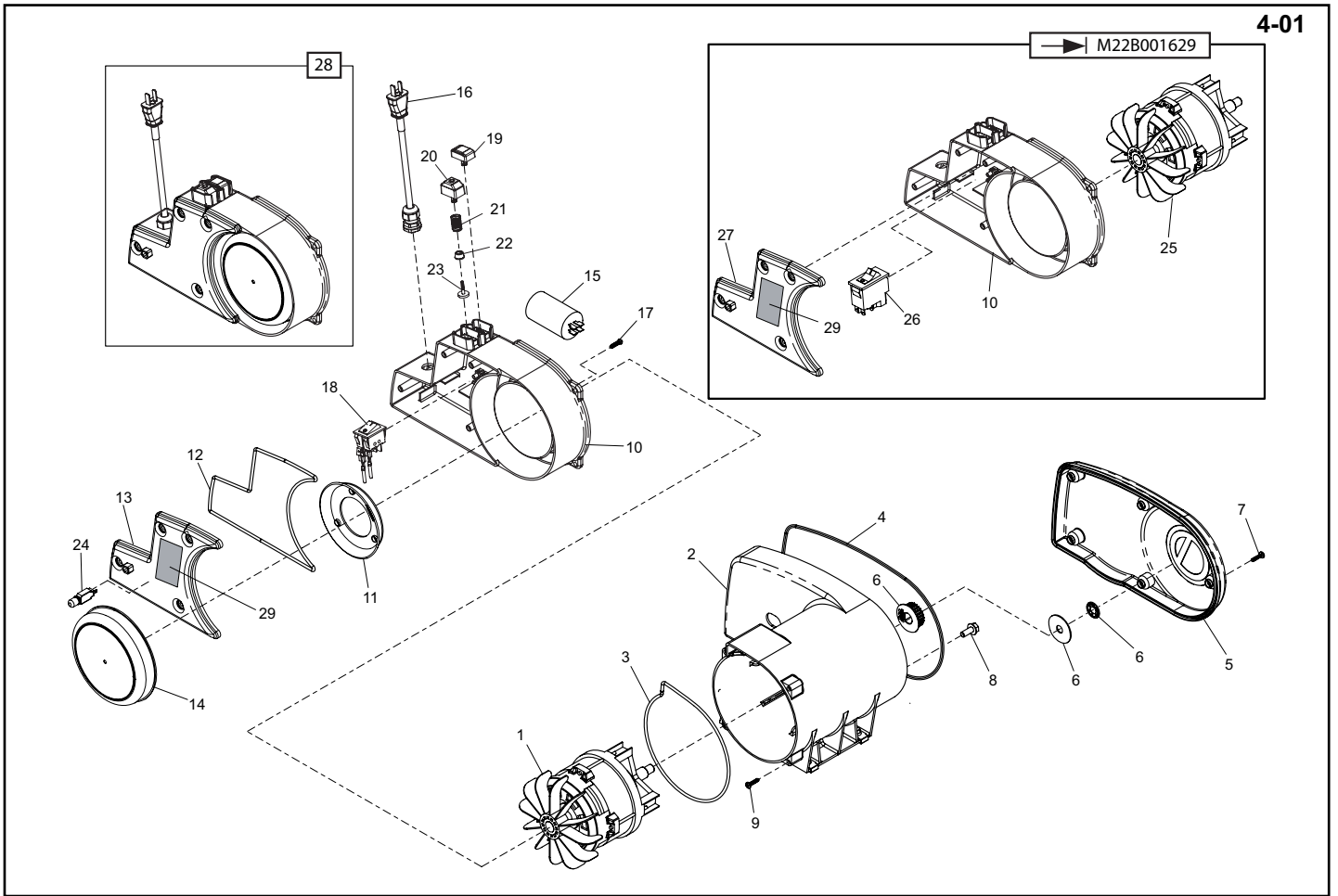
3-01

| | | | | | | |
|----|-----------------|-------------------------|------------------------------------|--------------------------------|-------------------------------------|-------------------------------|
| 1 | MS08..... | Gearbox Case | Carter de boîte de vitesses | Envoltura de la transmisión .. | Estojo da caixa de engrenagens..... | 1 |
| 2 | MS09..... | Drum Shaft | Arbre de tambour | Eje de tambor | Veio do Tambor..... | 1 |
| 3 | 900/24701 | Worm Shaft | Axe | Eje Helicoidal..... | Veio helicoidal | 1 |
| 4 | MS10..... | Back Plate | Plaque Arrière | Placa Trasera..... | Placa de Apoio | 1 |
| 5 | MS11..... | Gasket | Joint..... | Junta..... | Gaxeta..... | 1 |
| 6 | CMS10..... | Bearing | Roulement..... | Cojinete | Rolamento | 2 |
| 7 | PS013 | Bearing | Roulement..... | Cojinete | Rolamento | 1 |
| 8 | CMS41 | Oil Seal..... | Joint d'étanchéité à l'huile | Obturador aceite..... | Vedação de Óleo | 1 |
| 9 | MS22..... | Circlip | Circlip | Resorte circular | Grampo circular..... | 1 |
| 10 | MS13..... | Bush | Douille | Buje | Bucha | 19 x 15 x 20..... |
| 11 | CMS11 | Oil Seal..... | Joint d'étanchéité à l'huile | Obturador aceite..... | Vedação de Óleo | 1 |
| 12 | 7/8003 | Screw | Vis | Tornillo..... | Parafuse..... | M8 x 25 |
| 13 | MS12..... | Bung | Obturateur | Tapón..... | Tampão | 1 |
| 14 | 900/30000 | Gearbox Pulley Kit..... | Kit De Poulie De Boîte..... | Kit Polea Reductora | | 50Hz, G100, Robin, B & S ...1 |
| 14 | 900/31600 | Gearbox Pulley Kit..... | Kit De Poulie De Boîte..... | Kit Polea Reductora | | 60Hz, GXH50 |
| 15 | 900/99915 | Belt | Courroie..... | Correa | Cinta..... | 50Hz, G100, EY08, B & S1 |
| 15 | 900/99926 | Belt | Courroie..... | Correa | Cinta..... | 60Hz, GXH50, EH09DU |



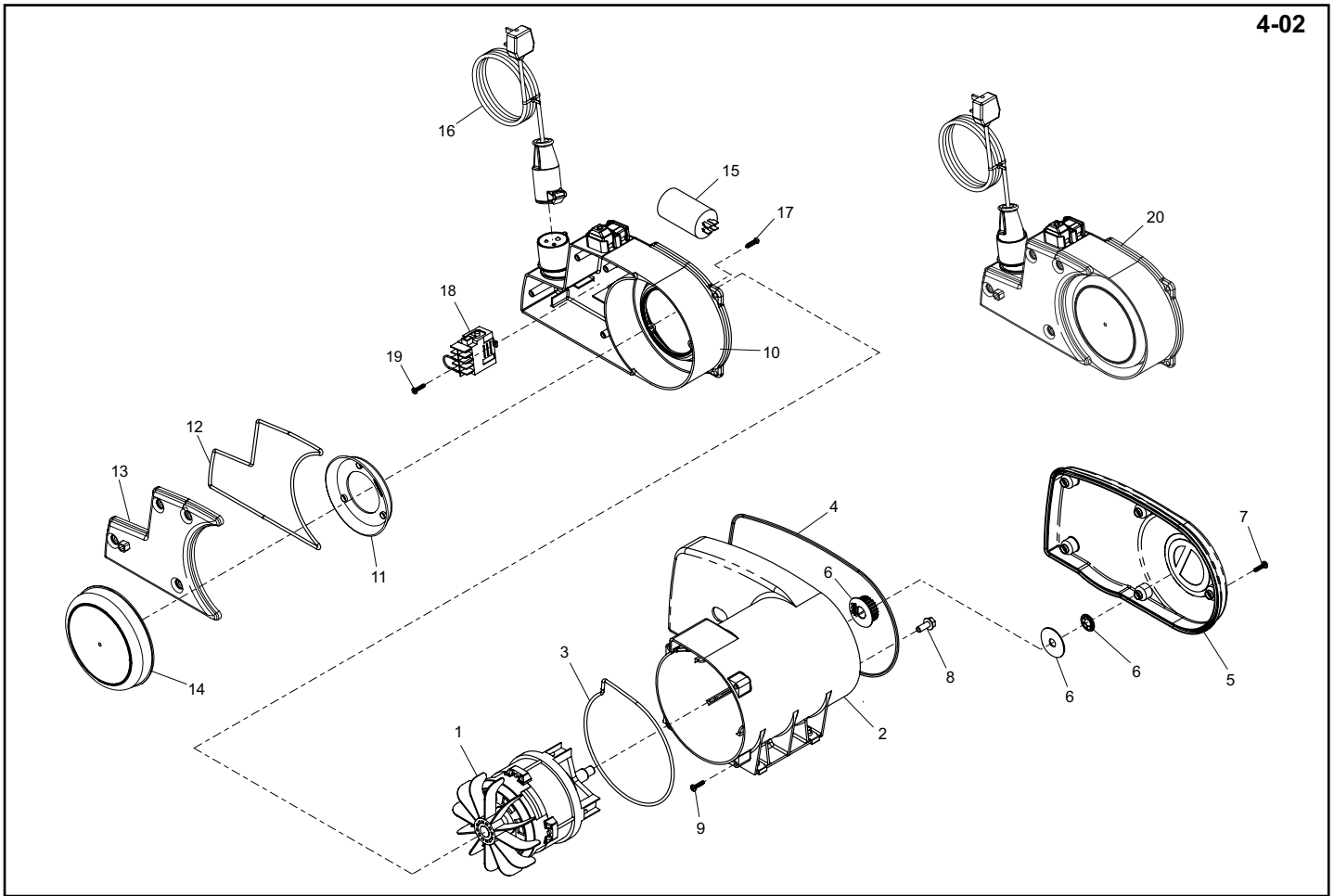
Gearbox Assembly (→ Oct '04)

| | | | | | |
|----|---------------------------------------|------------------------------------|-------------------------------|-------------------------------------|-------------------------------|
| 1 | 900/37602.....Gearbox Case | Carter de boîte de vitesses | Envoltura de la transmisión.. | Estojo da caixa de engrenagens..... | 1 |
| 2 | MS09.....Drum Shaft | Arbre de tambour | Eje de tambor | Veio do Tambor..... | 1 |
| 3 | 900/37601.....Worm Shaft | Axe | Eje Helicoidal..... | Veio helicoidal | 1 |
| 4 | MS10.....Back Plate | Plaque Arrière | Placa Trasera | Placa de Apoio | 1 |
| 5 | MS11.....Gasket | Joint..... | Junta..... | Gaxeta..... | 1 |
| 6 | CMS10.....Bearing | Roulement | Cojinete | Rolamento | 2 |
| 7 | 53/0032.....Bearing | Roulement | Cojinete | Rolamento | 1 |
| 8 | 5/0052.....Oil Seal | Joint d'étanchéité à l'huile | Obturador aceite..... | Vedação de Óleo | 1 |
| 9 | MS22.....Circlip | Circlip | Resorte circular | Grampo circular | 1 |
| 10 | MS13.....Bush | Douille | Buje | Bucha..... | 19 x 15 x 20..... |
| 11 | CMS11.....Oil Seal | Joint d'étanchéité à l'huile | Obturador aceite..... | Vedação de Óleo | 1 |
| 12 | 7/8003.....Screw | Vis | Tornillo..... | Parafuse..... | M8 x 25 |
| 13 | MS12.....Bung | Obturateur | Tapón..... | Tampão | 1 |
| 14 | 900/30000.....Gearbox Pulley Kit..... | Kit De Poulie De Boîte..... | Kit Polea Reductora | | 50Hz, G100, Robin, B & S ...1 |
| | | De Transmission | | | |
| 14 | 900/31600.....Gearbox Pulley Kit..... | Kit De Poulie De Boîte..... | Kit Polea Reductora | | 60Hz, GXH50 |
| | | De Transmission | | | |
| 15 | 900/99915.....Belt | Courroie..... | Correa | Cinta..... | 50Hz, G100, EY08, B & S....1 |
| 15 | 900/99926.....Belt | Courroie..... | Correa | Cinta..... | 60Hz, GXH50, EH09DU.....1 |



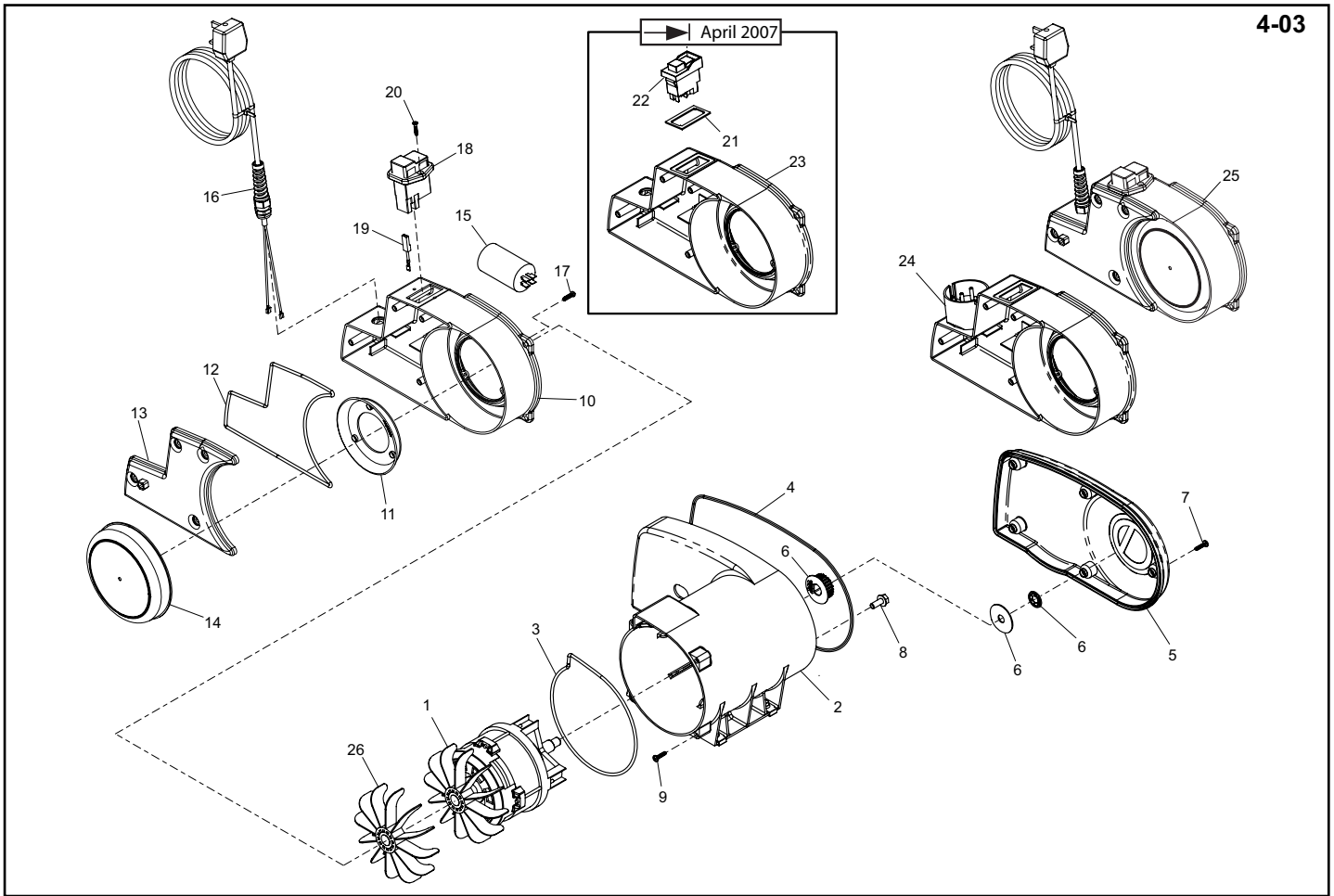
Motor Assembly (North America)

| | | | | | | | |
|----|-----------|-------------------------|---------------------------------|--------------------------------|--------------------------------|--------------|---|
| 1 | 900/37300 | Motor | Moteur | Motor | Motor | 115v, 60Hz | 1 |
| 2 | 900/27401 | Motor Housing | Bloc Moteur | Tapa Motor | Cárter do Motor | | 1 |
| 3 | 900/99908 | Seal | Joint d'étanchéité | Obturador | Vedação | | 1 |
| 4 | 900/99907 | Seal | Joint d'étanchéité | Obturador | Vedação | | 1 |
| 5 | 900/27403 | Belt Guard | Capot de courroie | Protector de la correa | Guarda da Cinta | | 1 |
| 6 | 900/29900 | Electric Pulley Kit | Kit Poulie De Moteur Electrique | Kit Polea Electrica | | | 1 |
| 7 | 7/5017 | Screw | Vis | Tornillo | Parafuse | 5.5 x 25 | 5 |
| 8 | 7/8037 | Screw | Vis | Tornillo | Parafuse | M8 x 20 | 4 |
| 9 | 7/5016 | Screw | Vis | Tornillo | Parafuse | 5.5 x 16 | 4 |
| 10 | 900/27402 | Switch Housing | Logement De L'interrupteur | Tapa Interruptor | Cárter do Interruptor | 110v, 60Hz | 1 |
| 11 | 901/99941 | Cover | Couvercle | Cubierta | Tampa | | 1 |
| 12 | 900/99909 | Seal | Joint d'étanchéité | Obturador | Vedação | | 1 |
| 13 | 900/27406 | Cover | Couvercle | Cubierta | Tampa | | 1 |
| 14 | 901/99942 | Cover | Couvercle | Cubierta | Tampa | | 1 |
| 15 | 70/0136 | Capacitor | Condensateur | Condensador | Condensador | 110UF | 1 |
| 16 | 900/29600 | Cable Assembly | Faisceau De Câbles | Ensamblaje Cable | Conjunto do Cabo | | 1 |
| 17 | 7/0008 | Screw | Vis | Tornillo | Parafuse | M4 x 19 | 3 |
| 18 | 70/0182 | ON/OFF Switch | Commutateur Marche / Arrêt | Conmutador On/Off | Interruptor Ligado / Desligado | | 1 |
| 19 | 70/0156 | ON Button | Bouton De Démarrage « On » | Pulsador On | | Green | 1 |
| 20 | 70/0157 | OFF Button | Bouton De Arrêt « Off » | Pulsador Off | | Red | 1 |
| 21 | 70/0160 | Spring | Ressort | Resorte | Mola | | 2 |
| 22 | 70/0161 | Rubber Insert | Lame De Caoutchouc | Inserción Junta de Goma | | | 2 |
| 23 | 70/0167 | Switch Insert | Insert D'interrupteur | Inserción Interruptor | | | 2 |
| 24 | 70/0186 | Thermal Overload Switch | Interrupteur De Surchage | Interruptor Sobrecarga Térmica | | | 1 |
| | | | Thermique | Térmica | | | |
| 25 | 900/26900 | Motor | Moteur | Motor | Motor | 115v, 60Hz | 1 |
| 26 | 900/99924 | ON/OFF Switch | Commutateur Marche / Arrêt | Conmutador On/Off | Interruptor Ligado / Desligado | 115v, 60Hz | 1 |
| 27 | 900/27404 | Cover | Couvercle | Cubierta | Tampa | | 1 |
| 28 | 900/32900 | Switch Assembly | Interrupteur Complet | Ensamblaje Interruptor | Conjunto do Interruptor | → M22B001630 | 1 |
| 28 | 900/28800 | Switch Assembly | Interrupteur Complet | Ensamblaje Interruptor | Conjunto do Interruptor | → M22B001629 | 1 |
| 29 | 800/99902 | Decal | Etiquette | Etiqueta | Etiqueta | | 1 |



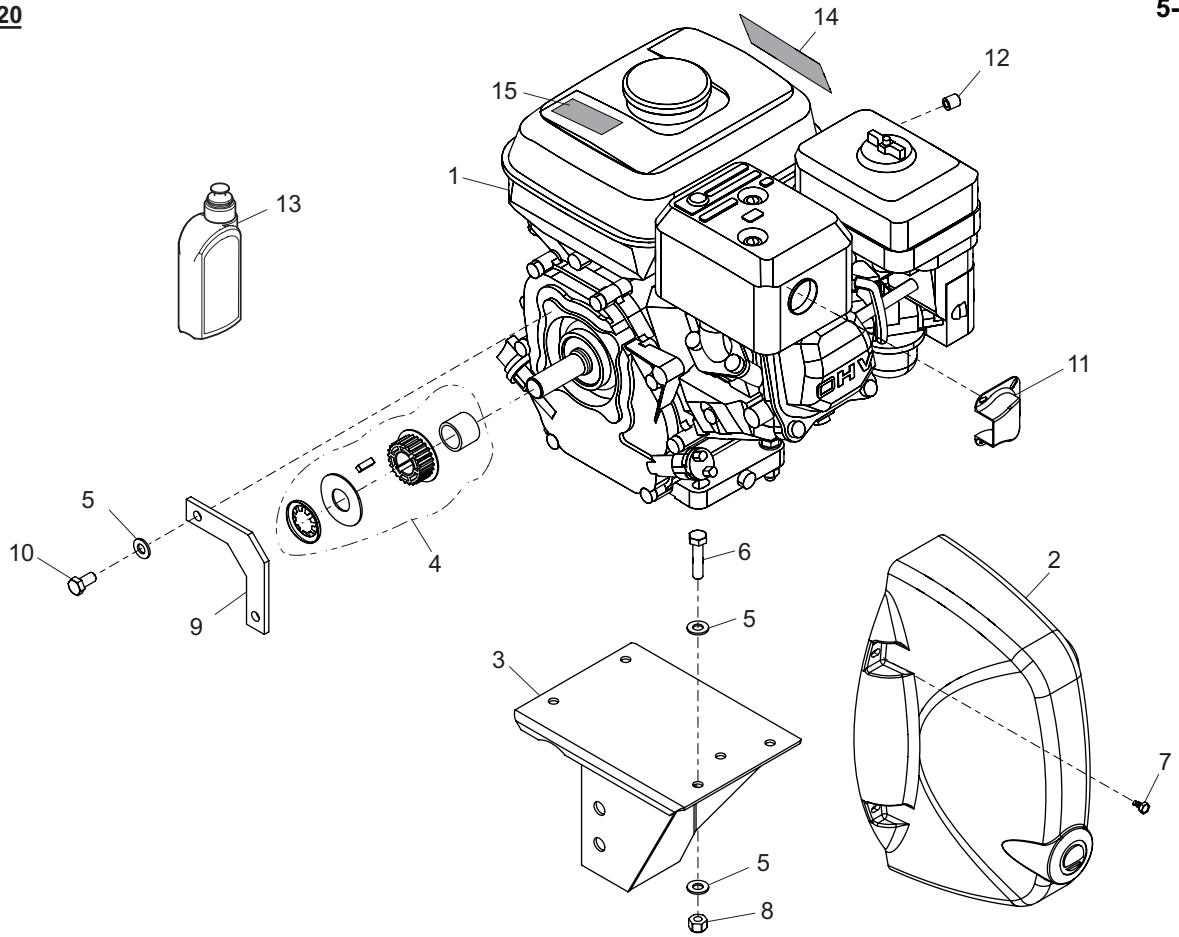
Motor Assembly (→ Apr '02)

| | | | | | | | |
|----|-----------|---------------------|---------------------------------|------------------------|--------------------------------|--------------------|---|
| 1 | 900/26800 | Motor | Moteur | Motor | Motor | 110v, 50Hz | 1 |
| 1 | 900/22100 | Motor | Moteur | Motor | Motor | 230v, 50Hz | 1 |
| 1 | 900/22400 | Motor | Moteur | Motor | Motor | 415v, 50Hz | 1 |
| 2 | 900/41201 | Motor Housing | Bloc Moteur | Tapa Motor | Cárter do Motor | | 1 |
| 3 | 900/99908 | Seal | Joint d'étanchéité | Obturador | Vedação | | 1 |
| 4 | 900/99907 | Seal | Joint d'étanchéité | Obturador | Vedação | | 1 |
| 5 | 900/26103 | Belt Guard | Capot de courroie | Protector de la correa | Guarda da Cinta | | 1 |
| 6 | 900/29900 | Electric Pulley Kit | Kit Poulie De Moteur Electrique | Kit Polea Electrica | | | 1 |
| 7 | 7/5017 | Screw | Vis | Tornillo | Parafuse | 5.5 x 25 | 5 |
| 8 | 7/8037 | Screw | Vis | Tornillo | Parafuse | M8 x 20 | 4 |
| 9 | 7/5016 | Screw | Vis | Tornillo | Parafuse | 5.5 x 16 | 4 |
| 10 | 900/26102 | Switch Housing | Logement De L'interrupteur | Tapa Interruptor | Cárter do Interruptor | | 1 |
| 10 | 900/28901 | Switch Housing | Logement De L'interrupteur | Tapa Interruptor | Cárter do Interruptor | Glanded Cable | 1 |
| 11 | 901/99915 | Cover | Couvercle | Cubierta | Tampa | | 1 |
| 12 | 900/99909 | Seal | Joint d'étanchéité | Obturador | Vedação | | 1 |
| 13 | 900/26104 | Cover | Couvercle | Cubierta | Tampa | | 1 |
| 14 | 901/99916 | Cover | Couvercle | Cubierta | Tampa | | 1 |
| 15 | 70/0135 | Capacitor | Condensateur | Condensador | Condensador | 25UF | 1 |
| 15 | 70/0136 | Capacitor | Condensateur | Condensador | Condensador | 110UF | 1 |
| 16 | 900/18100 | Extension Cable | Câble De Prolongation | Extensión Cable | | | 1 |
| 17 | 7/0008 | Screw | Vis | Tornillo | Parafuse | M4 x 19 | 3 |
| 18 | 901/99921 | On /Off Switch | Commutateur Marche / Arrêt | Conmutador On/Off | Interruptor Ligado / Desligado | 230v, 50Hz | 1 |
| 18 | 901/99923 | On /Off Switch | Commutateur Marche / Arrêt | Conmutador On/Off | Interruptor Ligado / Desligado | 110v, 50Hz | 1 |
| 18 | 900/99929 | On /Off Switch | Commutateur Marche / Arrêt | Conmutador On/Off | Interruptor Ligado / Desligado | 415v, 50Hz | 1 |
| 19 | 7/0009 | Screw | Vis | Tornillo | Parafuse | 3.5 x 9.5 | 2 |
| 20 | 900/28700 | Switch Assembly | Interrupteur Complet | Ensamblaje Interruptor | Conjunto do Interruptor | 110v, 50Hz | 1 |
| 20 | 900/29300 | Switch Assembly | Interrupteur Complet | Ensamblaje Interruptor | Conjunto do Interruptor | 230v, 50Hz, UK | 1 |
| 20 | 900/28600 | Switch Assembly | Interrupteur Complet | Ensamblaje Interruptor | Conjunto do Interruptor | 230v, 50Hz, Euro 1 | 1 |
| 20 | 900/28900 | Switch Assembly | Interrupteur Complet | Ensamblaje Interruptor | Conjunto do Interruptor | 230v, 50Hz, AUS | 1 |
| 20 | 900/29000 | Switch Assembly | Interrupteur Complet | Ensamblaje Interruptor | Conjunto do Interruptor | 415v, 50Hz | 1 |



Motor Assembly (Apr '02)

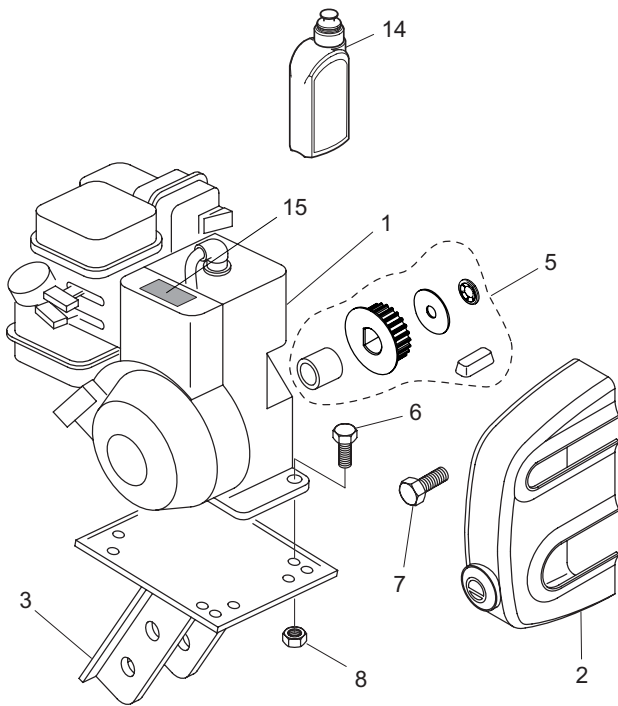
| | | | | | | | |
|----|-----------|---------------------|---------------------------------|------------------------|--------------------------------|--------------------|---|
| 1 | 900/34400 | Motor | Moteur | Motor | Motor | 110v, 50Hz | 1 |
| 1 | 900/34300 | Motor | Moteur | Motor | Motor | 230v, 50Hz | 1 |
| 1 | 900/22400 | Motor | Moteur | Motor | Motor | 415v, 50Hz | 1 |
| 2 | 900/41201 | Motor Housing | Bloc Moteur | Tapa Motor | Cárter do Motor | | 1 |
| 3 | 900/99908 | Seal | Joint d'étanchéité | Obturador | Vedação | | 1 |
| 4 | 900/99907 | Seal | Joint d'étanchéité | Obturador | Vedação | | 1 |
| 5 | 900/26103 | Belt Guard | Capot de courroie | Protector de la correa | Guarda da Cinta | | 1 |
| 6 | 900/29900 | Electric Pulley Kit | Kit Poulie De Moteur Electrique | Kit Polea Electrica | | | 1 |
| 7 | 7/5017 | Screw | Vis | Tornillo | Parafuse | 5.5 x 25 | 5 |
| 8 | 7/8037 | Screw | Vis | Tornillo | Parafuse | M8 x 20 | 4 |
| 9 | 7/5016 | Screw | Vis | Tornillo | Parafuse | 5.5 x 16 | 4 |
| 10 | 900/33801 | Switch Housing | Logement De L'interrupteur | Tapa Interruptor | Cárter do Interruptor | Glanded | 1 |
| 11 | 901/99915 | Cover | Couvercle | Cubierta | Tampa | | 1 |
| 12 | 900/99909 | Seal | Joint d'étanchéité | Obturador | Vedação | | 1 |
| 13 | 900/26104 | Cover | Couvercle | Cubierta | Tampa | | 1 |
| 14 | 901/99916 | Cover | Couvercle | Cubierta | Tampa | | 1 |
| 15 | 70/0135 | Capacitor | Condensateur | Condensador | Condensador | 25UF | 1 |
| 15 | 70/0136 | Capacitor | Condensateur | Condensador | Condensador | 110UF | 1 |
| 16 | 71/0180 | Cable Assembly | Faisceau De Câbles | Ensamblaje Cable | Conjunto do Cabo | 110v, 50Hz | 1 |
| 16 | 71/0179 | Cable Assembly | Faisceau De Câbles | Ensamblaje Cable | Conjunto do Cabo | 230v, 50Hz, UK | 1 |
| 16 | 71/0182 | Cable Assembly | Faisceau De Câbles | Ensamblaje Cable | Conjunto do Cabo | 230v, 50Hz, AUS | 1 |
| 17 | 7/0008 | Screw | Vis | Tornillo | Parafuse | M4 x 19 | 3 |
| 18 | 900/41700 | On /Off Switch | Commutateur Marche / Arrêt | Conmutador On/Off | Interruptor Ligado / Desligado | 230v, 50Hz | 1 |
| 18 | 900/41800 | On /Off Switch | Commutateur Marche / Arrêt | Conmutador On/Off | Interruptor Ligado / Desligado | 110v, 50Hz | 1 |
| 18 | 900/99928 | On /Off Switch | Commutateur Marche / Arrêt | Conmutador On/Off | Interruptor Ligado / Desligado | 415v, 50Hz | 1 |
| 19 | 71/0258 | Wire | Câble | Cable | Cabo | | 1 |
| 20 | 7/4009 | Screw | Vis | Tornillo | Parafuse | Dia. 4 | 2 |
| 21 | 70/0195 | Seal | Joint d'étanchéité | Obturador | Vedação | | 1 |
| 22 | 70/0194 | On /Off Switch | Commutateur Marche / Arrêt | Conmutador On/Off | Interruptor Ligado / Desligado | 230v, 50Hz | 1 |
| 22 | 70-0202 | On /Off Switch | Commutateur Marche / Arrêt | Conmutador On/Off | Interruptor Ligado / Desligado | 110v, 50Hz | 1 |
| 23 | 25 | Switch Housing | Logement De L'interrupteur | Tapa Interruptor | Cárter do Interruptor | | 1 |
| 24 | 25 | Switch Housing | Logement De L'interrupteur | Tapa Interruptor | Cárter do Interruptor | | 1 |
| 25 | 900/34500 | Switch Assembly | Interrupteur Complet | Ensamblaje Interruptor | Conjunto do Interruptor | 110v, 50Hz | 1 |
| 25 | 900/33800 | Switch Assembly | Interrupteur Complet | Ensamblaje Interruptor | Conjunto do Interruptor | 230v, 50Hz, UK | 1 |
| 25 | 900/35100 | Switch Assembly | Interrupteur Complet | Ensamblaje Interruptor | Conjunto do Interruptor | 230v, 50Hz, Euro 1 | 1 |
| 25 | 900/34800 | Switch Assembly | Interrupteur Complet | Ensamblaje Interruptor | Conjunto do Interruptor | 230v, 50Hz, AUS | 1 |
| 25 | 900/29000 | Switch Assembly | Interrupteur Complet | Ensamblaje Interruptor | Conjunto do Interruptor | 415v, 50Hz | 1 |
| 26 | 900/99946 | Fan | Ventilateur | Ventilador | Ventilador | 110v & 230v | 1 |



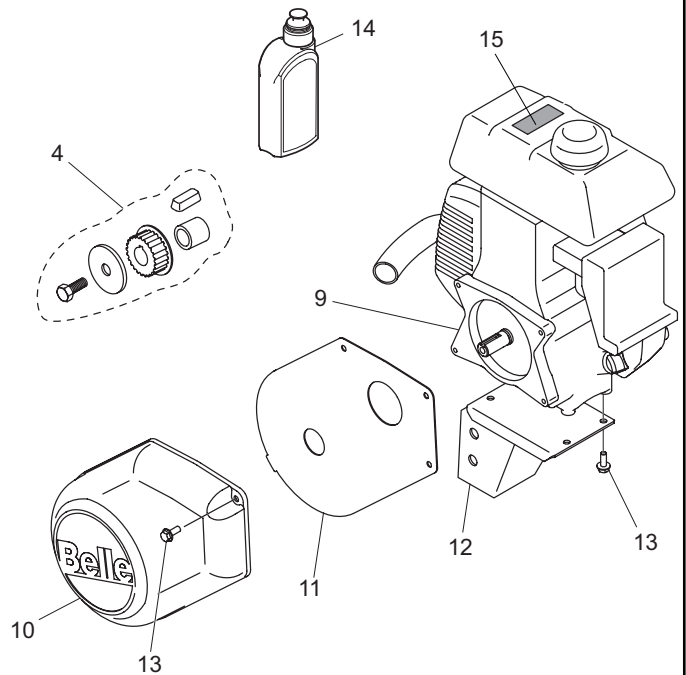
Engine Assembly (Honda GX120)

| | | | | | | | |
|----|-----------|-------------------|--------------------------|------------------------|------------------|---------------------------|----|
| 1 | 20/0038 | Engine | Moteur | Motor | Motor | Honda GX120 | 1 |
| 2 | 900/99927 | Belt Guard | Capot de courroie | Protector de la correa | Guarda da Cinta | | 1 |
| 3 | 900/40400 | Engine Deck | Plate-Forme De Moteur | Cubierta Motor | | | 1 |
| 4 | 900/31000 | Engine Pulley Kit | Kit De Poulie De Moteur | Kit Polea Motor | | | 1 |
| 5 | 4/8006 | Washer | Rondelle | Arandela | Anilha | | 10 |
| 6 | 9/8003 | Screw | Vis | Tornillo | Parafuse | M8 x 35 | 4 |
| 7 | 7/10002 | Screw | Vis | Tornillo | Parafuse | 10 x 3/8" | 2 |
| 8 | 8/8008 | Nut | Ecrou | Tuerca | Porca | M8 | 4 |
| 9 | 900/99944 | Bracket | Patte de montage | Escuadra | Suporte | | 1 |
| 10 | 9/0002 | Screw | Vis | Tornillo | Parafuse | 5/16" x 5/8" | 2 |
| 11 | 21/0236 | Exhaust Deflector | Protection D'échappement | Protector Escape | Guarda de Escape | | 1 |
| 12 | 900/99945 | Boss | Vis | Tornillo | Parafuse | M6 x 16 | 1 |
| 13 | 92/00002 | Engine Oil | Huile Moteur | Aceite Motor | Óleo do Motor | 750ml | |
| 14 | 800/99743 | Decal | Etiquette | Etiqueta | Etiqueta | Emergency Stop | 1 |
| 15 | 800/21320 | Decal | Etiquette | Etiqueta | Etiqueta | Hot Parts (Euro 1) | 1 |
| 15 | 800/21323 | Decal | Etiquette | Etiqueta | Etiqueta | Hot Parts (Euro 3) | 1 |
| 15 | 800/21322 | Decal | Etiquette | Etiqueta | Etiqueta | Hot Parts (North America) | 1 |

Honda G100



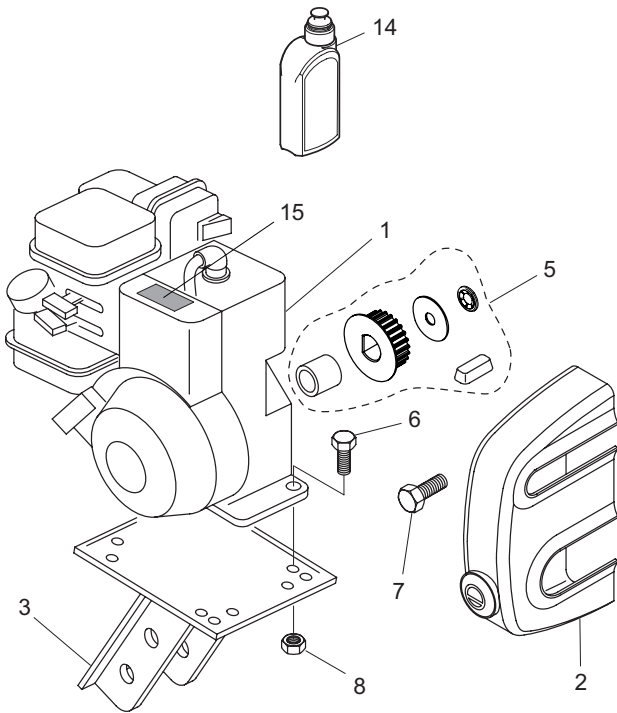
Honda GXH50



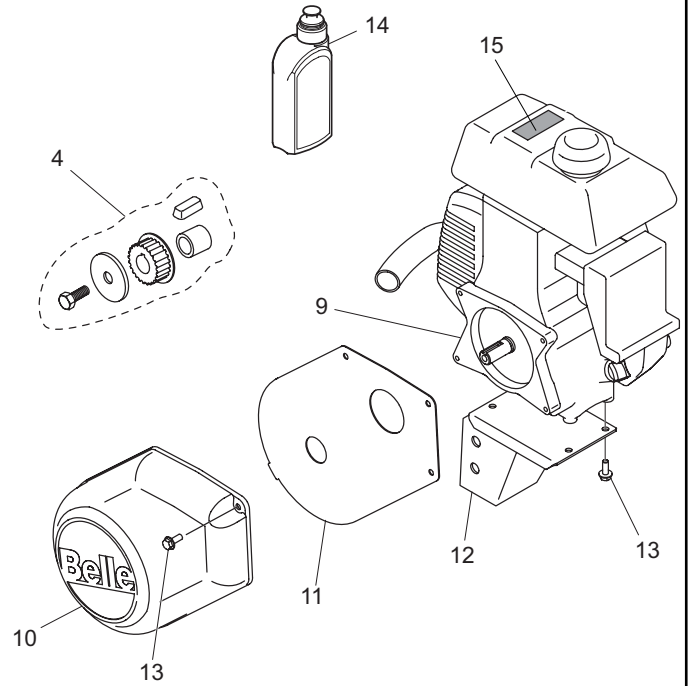
Engine Assembly (Honda)

| | | | | | | | |
|----|----------------|------------------------|------------------------------|-----------------------------|----------------------|--------------------------------|---|
| 1 | MS15..... | Engine..... | Moteur..... | Motor..... | Motor..... | Honda G100..... | 1 |
| 2 | 900/99927..... | Belt Guard..... | Capot de courroie..... | Protector de la correa..... | Guarda da Cinta..... | Honda G100..... | 1 |
| 3 | 900/33200..... | Engine Deck..... | Plate-Forme De Moteur..... | Cubierta Motor..... | Honda G100..... | 1 | |
| 4 | 900/36400..... | Engine Pulley Kit..... | Kit De Poulie De Moteur..... | Kit Polea Motor..... | Honda G100..... | 1 | |
| 5 | 900/32600..... | Engine Pulley Kit..... | Kit De Poulie De Moteur..... | Kit Polea Motor..... | Honda G100..... | 1 | |
| 6 | 7/8008..... | Screw..... | Vis..... | Tornillo..... | Parafuse..... | M8 x 16..... | 4 |
| 7 | 7/10002..... | Screw..... | Vis..... | Tornillo..... | Parafuse..... | 10 x 3/8"..... | 2 |
| 8 | 8/8001..... | Nut..... | Ecrou..... | Tuerca..... | Porca..... | M8..... | 4 |
| 9 | 20/0031..... | Engine..... | Moteur..... | Motor..... | Motor..... | Honda GXH50..... | 1 |
| 10 | 900/99935..... | Belt Guard..... | Capot de courroie..... | Protector de la correa..... | Guarda da Cinta..... | Honda GXH50..... | 1 |
| 11 | 900/99934..... | Plate..... | Plaque..... | Placa..... | Placa..... | Honda GXH50..... | 1 |
| 12 | 900/35300..... | Engine Deck..... | Plate-Forme De Moteur..... | Cubierta Motor..... | Honda GXH50..... | 1 | |
| 13 | 7/6034..... | Screw..... | Vis..... | Tornillo..... | Parafuse..... | M6 x 16..... | 4 |
| 14 | 92/00002..... | Engine Oil..... | Huile Moteur..... | Aceite Motor..... | Honda GXH50..... | 750ml..... | 1 |
| 15 | 800/21320..... | Decal..... | Etiquette..... | Etiqueta..... | Etiqueta..... | Hot Parts (Euro 1)..... | 1 |
| 15 | 800/21323..... | Decal..... | Etiquette..... | Etiqueta..... | Etiqueta..... | Hot Parts (Euro 3)..... | 1 |
| 15 | 800/21322..... | Decal..... | Etiquette..... | Etiqueta..... | Etiqueta..... | Hot Parts (North America)..... | 1 |

Robin EY08



Robin EH09DU

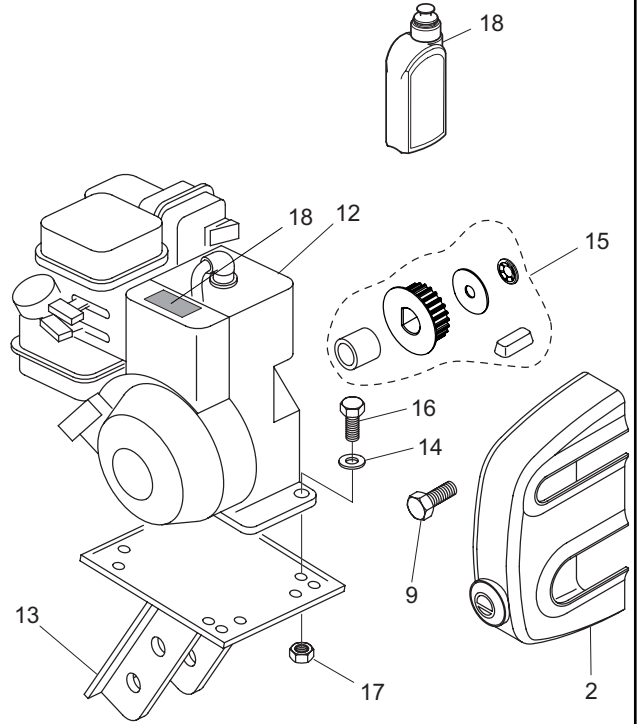
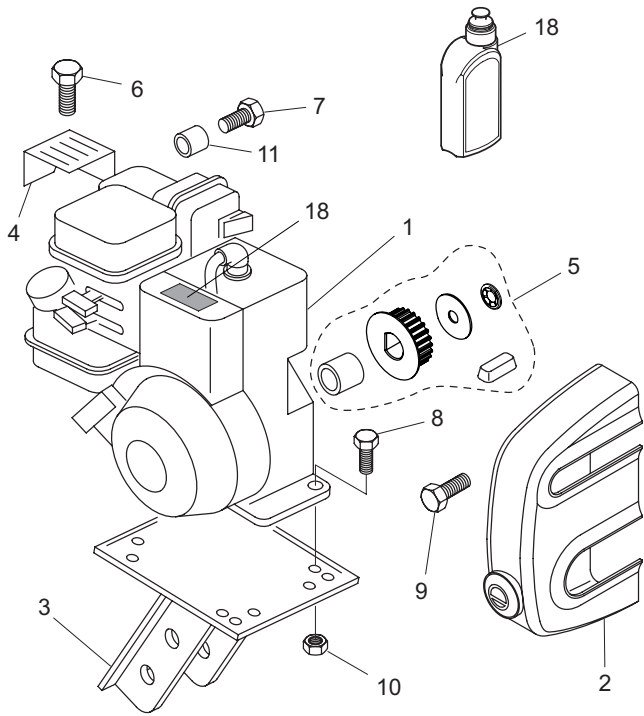


Engine Assembly (Robin)

| | | | | | | | | |
|----|----------------|------------------------|------------------------|-----------------------------|----------------------|----------------|--------------------------------|-------|
| 1 | MS16..... | Engine..... | Moteur..... | Motor..... | Motor..... | Motor..... | Robin EY08..... | 1 |
| 2 | 900/99927..... | Belt Guard..... | Capot de courroie..... | Protector de la correa..... | Guarda da Cinta..... | | | 1 |
| 3 | 900/33300..... | Engine Deck..... | | Cubierta Motor..... | | | | 1 |
| 4 | 900/38400..... | Engine Pulley Kit..... | | Kit Polea Motor..... | | | | 1 |
| 5 | 900/32600..... | Engine Pulley Kit..... | | Kit Polea Motor..... | | | | 1 |
| 6 | 9/8003..... | Screw..... | Vis..... | Tornillo..... | Parafuse..... | M8 x 35..... | | 4 |
| 7 | 7/10002..... | Screw..... | Vis..... | Tornillo..... | Parafuse..... | 10 x 3/8"..... | | 2 |
| 8 | 8/8001..... | Nut..... | Ecrou..... | Tuerca..... | Porca..... | M8..... | | 4 |
| 9 | 20/0060..... | Engine..... | Moteur..... | Motor..... | Motor..... | | Robin EH09DU..... | 1 |
| 10 | 900/99935..... | Belt Guard..... | Capot de courroie..... | Protector de la correa..... | Guarda da Cinta..... | | | 1 |
| 11 | 900/37900..... | Plate..... | Plaque..... | Placa..... | Placa..... | | | 1 |
| 12 | 900/38000..... | Engine Deck..... | | Cubierta Motor..... | | | | 1 |
| 13 | 7/6034..... | Screw..... | Vis..... | Tornillo..... | Parafuse..... | M6 x 16..... | | 4 |
| 14 | 92/00002..... | Engine Oil..... | | Aceite Motor..... | | | | 450ml |
| 15 | 800/21320..... | Decal..... | Etiquette..... | Etiqueta..... | Etiqueta..... | | Hot Parts (Euro 1)..... | 1 |
| 15 | 800/21323..... | Decal..... | Etiquette..... | Etiqueta..... | Etiqueta..... | | Hot Parts (Euro 3)..... | 1 |
| 15 | 800/21322..... | Decal..... | Etiquette..... | Etiqueta..... | Etiqueta..... | | Hot Parts (North America)..... | 1 |

Briggs & Stratton 3.5hp IC

Briggs & Stratton Vanguard



Engine Assembly (Briggs & Stratton)

| | | | | | | | |
|----|-----------|-------------------|-------------------|------------------------|-----------------|---------------------------|---|
| 1 | CMS19 | Engine | Moteur | Motor | Motor | B & S 3.5hp IC | 1 |
| 2 | 900/99927 | Belt Guard | Capot de courroie | Protector de la correa | Guarda da Cinta | | 1 |
| 3 | 900/33300 | Engine Deck | | Cubierta Motor | | | 1 |
| 4 | 900/20600 | Exhaust Guard | | Protector Escape | | | 1 |
| 5 | 900/31000 | Engine Pulley Kit | | Kit Polea Motor | | | 1 |
| 6 | 7/8028 | Screw | Vis | Tornillo | Parafuse | 10 x 3/8" | |
| 7 | 7/8027 | Screw | Vis | Tornillo | Parafuse | 8 X 3/4" | |
| 8 | 9/8003 | Screw | Vis | Tornillo | Parafuse | M8 x 35 | 4 |
| 9 | 7/10002 | Screw | Vis | Tornillo | Parafuse | 10 x 3/8" | 2 |
| 10 | 8/8001 | Nut | Ecrou | Tuerca | Porca | M8 | 4 |
| 11 | 900/20700 | Spacer | Entretoise | Espaciador | Espaçador | | |
| 12 | 20/0080 | Engine | Moteur | Motor | Motor | B & S Vanguard | 1 |
| 13 | 900/40400 | Engine Deck | | Cubierta Motor | | | 1 |
| 14 | 4/8006 | Washer | Rondelle | Arandela | Anilha | M8 | 4 |
| 15 | 900/40600 | Engine Pulley Kit | | Kit Polea Motor | | | 1 |
| 16 | 7/8008 | Screw | Vis | Tornillo | Parafuse | M8 x 16 | 4 |
| 17 | 8/8008 | Nut | Ecrou | Tuerca | Porca | M8 | 4 |
| 18 | 800/21320 | Decal | Etiquette | Etiqueta | Etiqueta | Hot Parts (Euro 1) | 1 |
| 18 | 800/21323 | Decal | Etiquette | Etiqueta | Etiqueta | Hot Parts (Euro 3) | 1 |
| 18 | 800/21322 | Decal | Etiquette | Etiqueta | Etiqueta | Hot Parts (North America) | 1 |

