

This catalog covers:

TJ027E-□F90

This fig. covers:

TITLE

PARTS CATALOG

2-STROKE ENGINE

TJ027E

PRODUCT CODE	NOTE
TJ027E-KF90	
TJ027E-LF90	

PARTS CATALOG INTRODUCTION

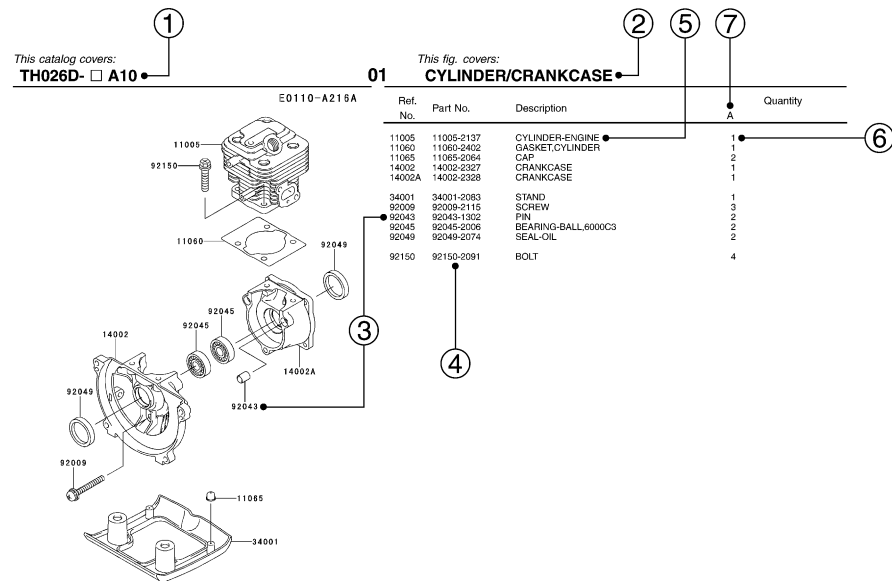
This parts catalog lists parts and sub-assemblies provided as service parts.

When it becomes necessary to replace parts, always use KAWASAKI GENUINE PARTS which have passed strict inspection which guarantees quality and performance.

1. HOW TO ORDER PARTS

- When ordering the parts, be sure to use the parts catalog corresponding to the product code. Check the product revision codes on the product and the catalog.
 Product Code (example) : FA130D-**AA00**
 Product Revision Code
- Specify the part code (all digits) exactly as listed in this catalog on your parts order.
- The parts not shown in the illustrations of this catalog are not sold separately; only the complete units or next higher assemblies illustrated are supplied as the service parts.

2. EXPLANATION OF PARTS CATALOG FORMAT



1) Product Code

This code describes the product code covered by this catalog. The product revision code, which is a part of the product code, is omitted.

2) Part Group Title

This title is the representative name for the group of parts illustrated on the page.

3) Reference Number

The reference numbers are shown on the illustration and the list as the link between them.

PARTS LIST INFORMATION

4) Part Number

This is the key of your parts ordering.

Three kinds of part number are used in this catalog.

- Structure 1
 □□□□□□-□□□□□□-□□
 □□□□□□-□□□□□□
 Part Revision Code
- Structure 2
 □□□□□□-□□□□□□-□□
 Color Code for Painted Part
- Standard Hardware Number
 (for bolts, nuts, washer, or the like)
 □□□□□□□□
 Size Code
 Material and Surface Treatment Code
 Item Code

5) Description and Additional Information

The part name, the location, the size, and the serial number as additional information, etc. are described here. Use them to find out and check the part required.

When a part number is changed without change of the product revision code and the changed parts are not interchangeable, the serial number of the product is noted as follows;

- (FA130 - 100001) : Affected units are from beginning of the product of the product code up to and including this serial number.
- (FA130 - 100002 -) : Affected units are from this serial number and above.
- (FA130 - 100002 - FA130 - 110001) : Affected units are in this serial number range.

6) Quantity

The figure shows quantity of the part required at the indicated position on the illustration and for the specified product revision code.

The asterisk (*) on this column means the part can be used as the substitute on the product and is supplied until the stock is exhausted.

Note:Some small parts will be supplied by units.

Example: If six (6) bolts are ordered and the minimum quantity per unit is five (5), two (2), units of the bolt will be delivered.

7) Product Revision Code

This Code indicates an important change which affects the service parts interchangeability.

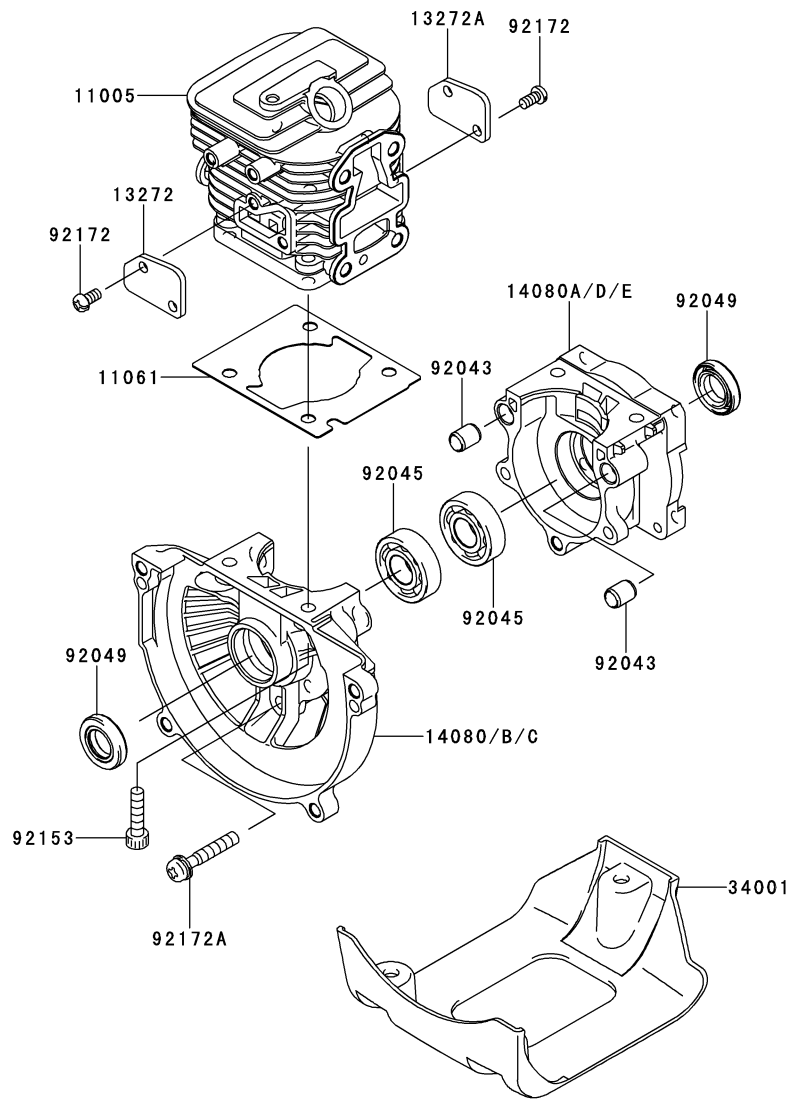
3. ABBREVIATIONS

#	Number	FR.....	Front	RH	Right Hand
&.....	And	G	Gram	RPM ...	Revolutions Per Minute
(+).....	Plus	HEX.....	Hexagonal	RR	Rear
(-).....	Minus	ID=.....	Inside Diameter	STD.....	Standard
2ND.....	Second	IN.....	Inch	T.....	Teeth
3RD	Third	L=.....	Length	T=.....	Thickness
4TH.....	Fourth	LH.....	Left Hand	U/S.....	Under Size
A.....	Ampere	LWR	Lower	UPP	Upper
AR.....	As Required	MM.....	Millimeter	V.....	Volt
ASSY.....	Assembly	O/S.....	Over Size	W.....	Watt
CNT	Center	OD=.....	Outside Diameter		
COMP.....	Complete	REF.....	Reference		

This catalog covers:
TJ027E- □ F90

This fig. covers:
01 CYLINDER/CRANKCASE

E0110-A6410

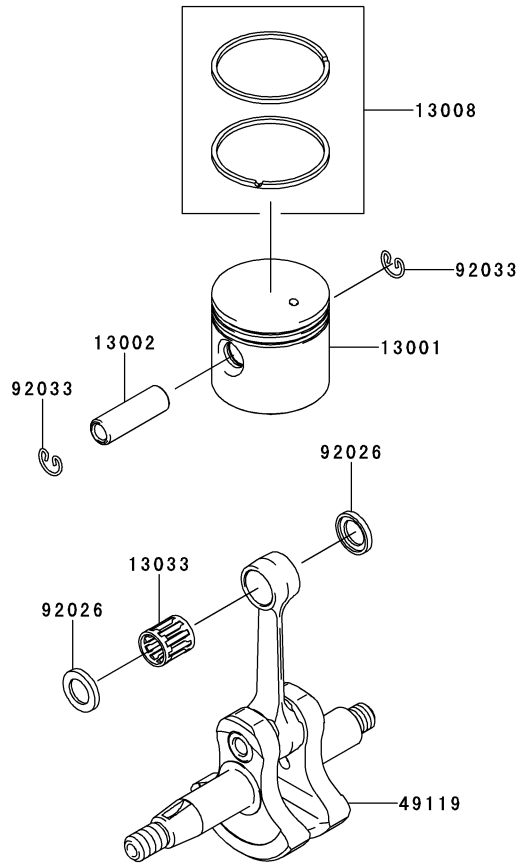


Ref. No.	Part No.	Description	Quantity	
			K	L
11005	11005-0615	CYLINDER-ENGINE	1	1
11061	11061-2203	GASKET,CYLINDER	1	1
13272	13272-2013	PLATE	1	1
13272A	13272-2031	PLATE	1	1
14080	14080-0663	CRANKCASE	*	
14080A	14080-0664	CRANKCASE	*	
14080B	14080-0733	CRANKCASE		1
14080C	14080-0733	CRANKCASE	1	
14080D	14080-0734	CRANKCASE		1
14080E	14080-0734	CRANKCASE	1	
34001	34001-2091	STAND	1	1
92043	92043-0755	PIN	2	2
92045	92045-2278	BEARING-BALL,6001C3	2	2
92049	92049-2269	SEAL-OIL,12X22X4.5	2	2
92153	92153-2136	BOLT,SOCKET,5X20	4	4
92172	92172-2103	SCREW,4X8	4	4
92172A	92172-2104	SCREW,5X30	3	3

This catalog covers:
TJ027E- □ F90

This fig. covers:
02 PISTON/CRANKSHAFT

E0120-A409A

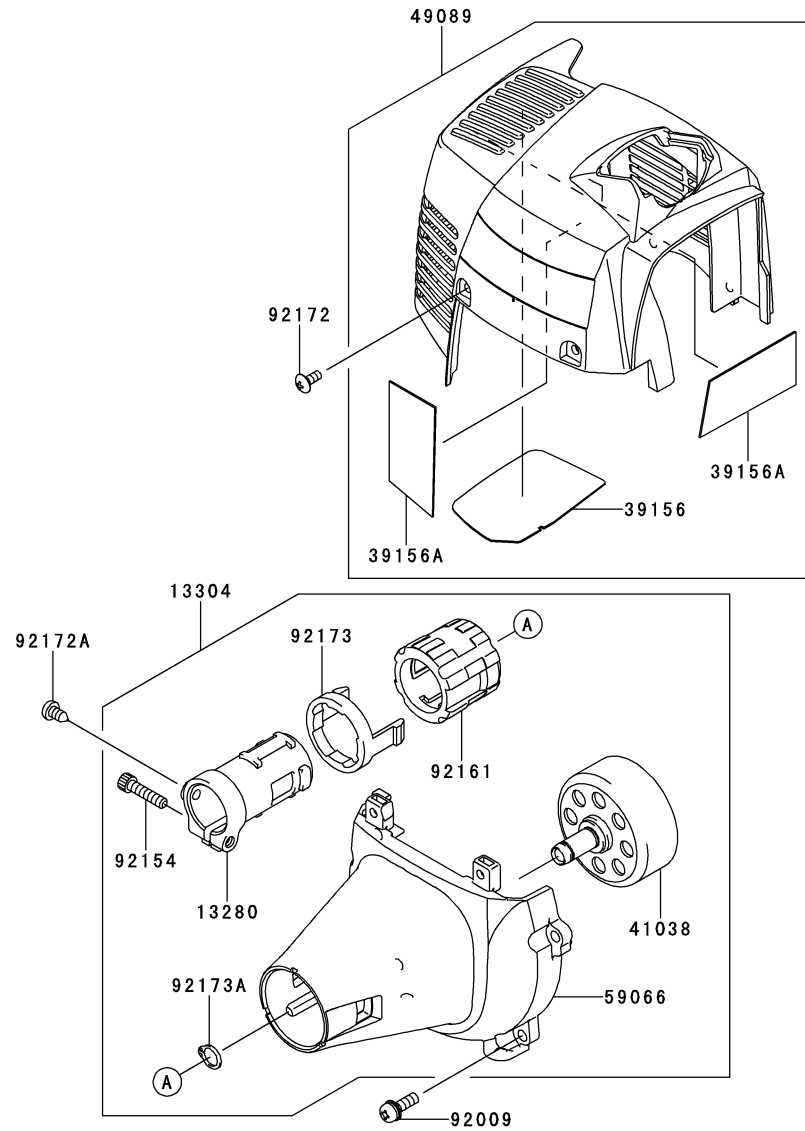


Ref. No.	Part No.	Description	Quantity	
			K	L
13001	13001-2174	PISTON-ENGINE	1	1
13002	13002-2100	PIN-PISTON	1	1
13008	13008-6071	RING-SET-PISTON	1	1
13033	13033-2064	BEARING-SMALL END	1	1
49119	49119-2242	CRANKSHAFT-ASSY	1	1
92026	92026-2356	SPACER	2	2
92033	92033-2198	RING-SNAP	2	2

This catalog covers:
TJ027E- □ F90

This fig. covers:
03 COOLING-EQUIPMENT

E0150-B227A

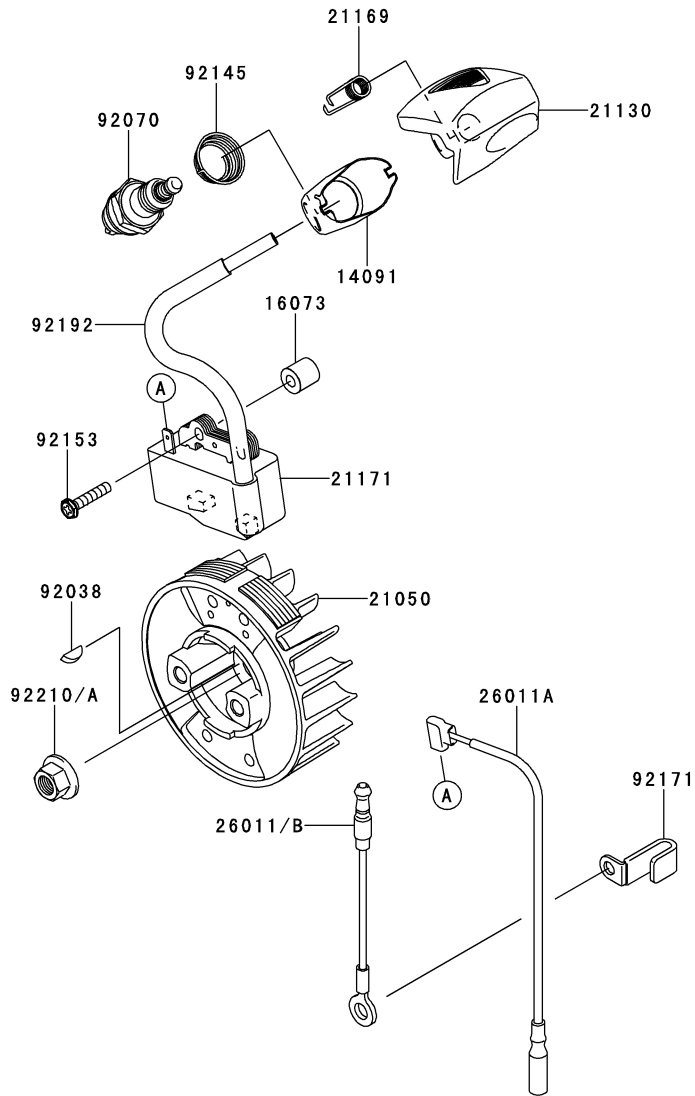


Ref. No.	Part No.	Description	Quantity	
			K	L
13280	13280-2077	HOLDER	1	1
13304	13304-0003	HOUSING-ASSY	1	1
39156	39156-2101	PAD	1	1
39156A	39156-2102	PAD	2	2
41038	41038-2091	DRUM	1	1
49089	49089-0766	SHROUD-ENGINE	1	1
59066	59066-0001	HOUSING-FAN	1	1
92009	92009-2395	SCREW,5X16	4	4
92154	92154-2056	BOLT,5X22	1	1
92161	92161-2068	DAMPER	1	1
92172	92172-2060	SCREW,4X10	2	2
92172A	92172-2149	SCREW,5X10	1	1
92173	92173-2015	CLAMP	1	1
92173A	92173-2019	CLAMP	1	1

This catalog covers:
TJ027E- □ F90

This fig. covers:
04 ELECTRIC-EQUIPMENT

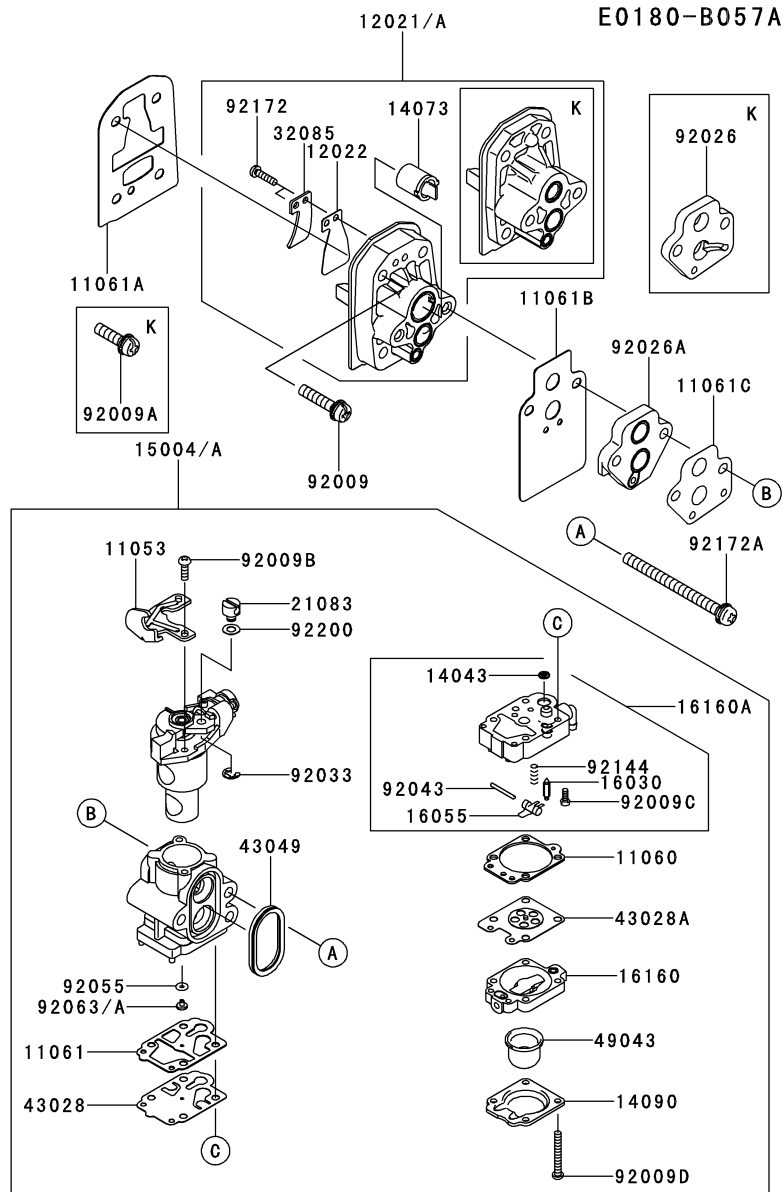
E0160-B693C



Ref. No.	Part No.	Description	Quantity	
			K	L
14091	14091-2147	COVER	1	1
16073	16073-2239	INSULATOR	2	2
21050	21050-2329	FLYWHEEL	1	1
21130	21130-2071	CAP-SPARK PLUG	1	1
21169	21169-2078	TERMINAL	1	1
21171	21171-2286	COIL-ASSY-IGNITION	1	1
26011	26011-0862	WIRE-LEAD	1	1
26011A	26011-2388	WIRE-LEAD,L=230	1	1
26011B	26011-2389	WIRE-LEAD	*	*
92038	92038-2106	KEY	1	1
92070	92070-2121	PLUG-SPARK,BPMR7A(NGK)	1	1
92145	92145-2193	SPRING	1	1
92153	92153-2138	BOLT,4X20	2	2
92171	92171-2083	CLAMP	1	1
92192	92192-2135	TUBE	1	1
92210	92210-0737	NUT,8MM	*	*
92210A	92210-2101	NUT,M8	1	1

This catalog covers:
TJ027E- □ F90

This fig. covers:
05 CARBURETOR

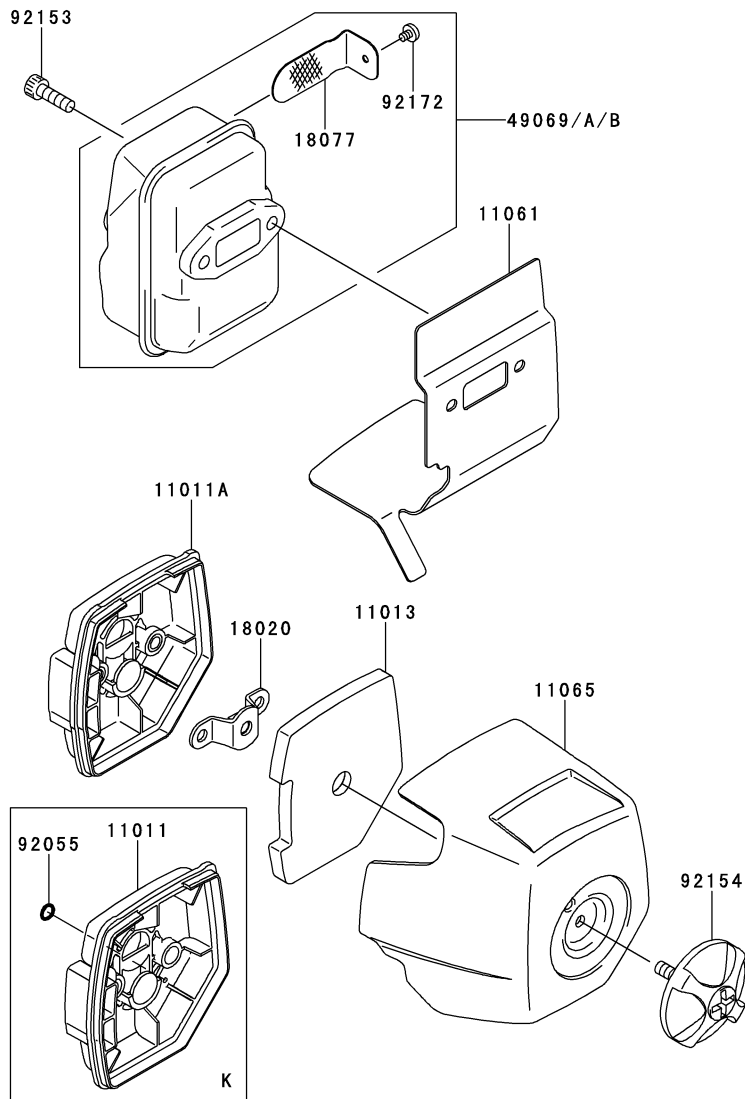


Ref. No.	Part No.	Description	Quantity	
			K	L
11053	11053-2066	BRACKET	1	1
11060	11060-2111	GASKET	1	1
11061	11061-2054	GASKET	1	1
11061A	11061-2246	GASKET,CYLINDER-INSULATOR	1	1
11061B	11061-2247	GASKET,CARBURETOR-INSULATOR	1	1
11061C	11061-2248	GASKET,CARBURETOR/SPACER	1	1
12021	12021-0025	VALVE-ASSY-REED		1
12021A	12021-2058	VALVE-ASSY-REED	1	
12022	12022-2064	VALVE-REED	1	1
14043	14043-2051	FILTER	1	1
14073	14073-2110	DUCT		1
14090	14090-2017	COVER,PRIMER PUMP	1	1
15004	15004-0882	CARBURETOR-ASSY		1
15004A	15004-2106	CARBURETOR-ASSY	1	
16030	16030-2078	VALVE-FLOAT	1	1
16055	16055-2051	LEVER	1	1
16160	16160-2089	BODY	1	1
16160A	16160-2141	BODY	1	1
21083	21083-2073	ARM	1	1
32085	32085-2107	STOPPER	1	1
43028	43028-2067	DIAPHRAGM	1	1
43028A	43028-2096	DIAPHRAGM	1	1
43049	43049-2062	PACKING	1	1
49043	49043-2067	PUMP-PRIMING	1	1
92009	92009-2235	SCREW,5X25		4
92009A	92009-2249	SCREW,5X20	4	
92009B	92009-2277	SCREW	2	2
92009C	92009-2336	SCREW	1	1
92009D	92009-2337	SCREW	4	4
92026	92026-2366	SPACER	1	
92026A	92026-2367	SPACER		1
92033	92033-2078	RING-SNAP	1	1
92043	92043-2094	PIN	1	1
92055	92055-2147	RING-O	1	1
92063	92063-2473	JET-MAIN,#36		1
92063A	92063-2479	JET-MAIN,#36.5	1	
92144	92144-2308	SPRING	1	1
92172	92172-2123	SCREW,3X12	1	2
92172A	92172-2139	SCREW,5X65	2	2
92200	92200-2074	WASHER	1	1

This catalog covers:
TJ027E- □ F90

This fig. covers:
06 AIR-FILTER/MUFFLER

E0190-B513B

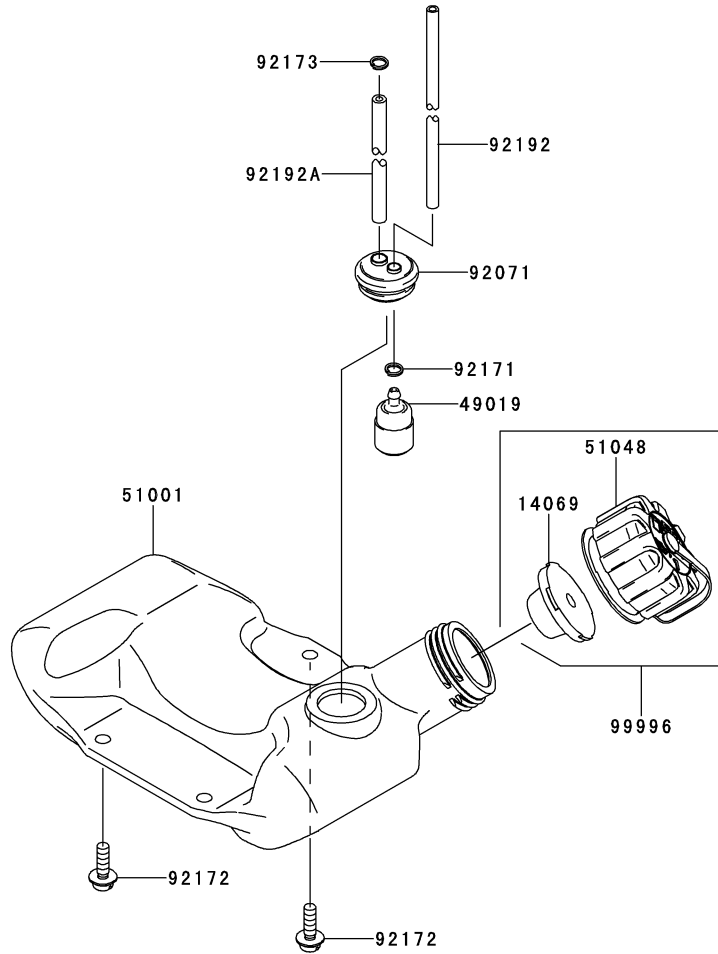


Ref. No.	Part No.	Description	Quantity	
			K	L
11011	11011-2392	CASE-AIR FILTER	1	
11011A	11011-2394	CASE-AIR FILTER		1
11013	11013-2245	ELEMENT-AIR FILTER	1	1
11061	11061-2204	GASKET,MUFFLER	1	1
11065	11065-2143	CAP	1	1
18020	18020-2096	BAFFLE	1	1
18077	18077-2140	ARRESTER-SPARK	1	1
49069	49069-0023	MUFFLER-ASSY		1
49069A	49069-0023	MUFFLER-ASSY	1	
49069B	49069-0728	MUFFLER-ASSY	*	
92055	92055-2221	RING-O,4.8MM	1	
92153	92153-2137	BOLT,SOCKET,5X16	2	2
92154	92154-2053	BOLT	1	1
92172	92172-2112	SCREW	1	1

This catalog covers:
TJ027E- □ F90

This fig. covers:
07 FUEL-TANK/FUEL-VALVE

E0200-A629D

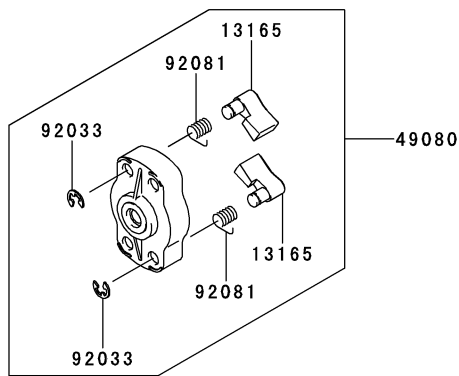
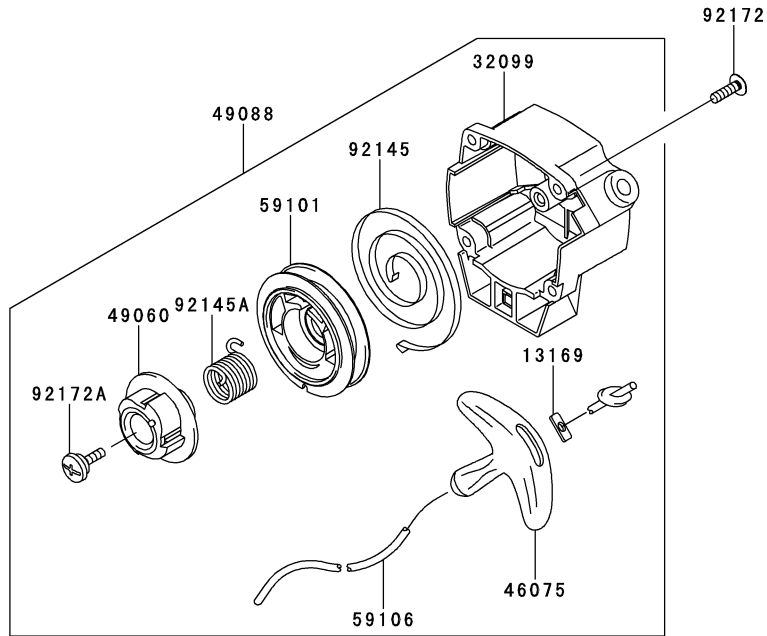


Ref. No.	Part No.	Description	Quantity	
			K	L
14069	14069-0017	BREATHER	1	1
49019	49019-2114	FILTER-FUEL	1	1
51001	51001-2335	TANK-COMP-FUEL	1	1
51048	51048-2083	CAP-ASSY-TANK	1	1
92071	92071-2142	GROMMET,FUEL TANK	1	1
92171	92171-2073	CLAMP	1	1
92172	92172-2080	SCREW,5X18	3	3
92173	92173-2009	CLAMP	1	1
92192	92192-2130	TUBE,3X5X174	1	1
92192A	92192-2152	TUBE,3X6X80	1	1
99996	99996-6107	CAP-TANK & BREATHER,ASSY	1	1

This catalog covers:
TJ027E- □ F90

08 This fig. covers:
STARTER

E0210-A459B



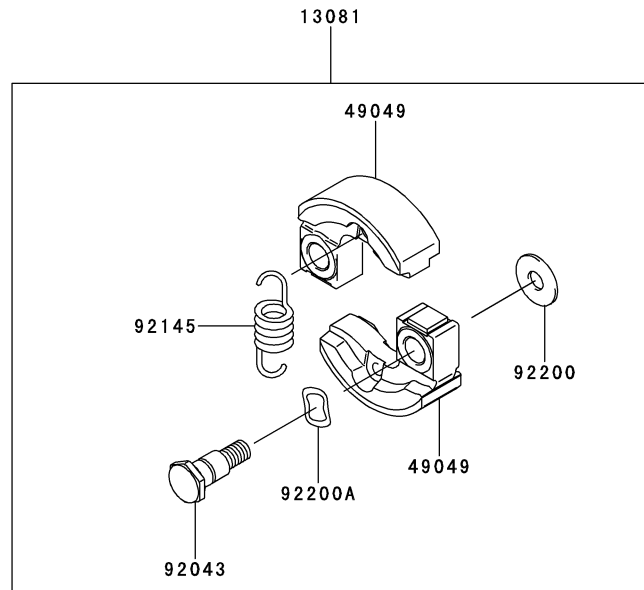
Ref. No.	Part No.	Description	Quantity	
			K	L
13165	13165-2100	PAWL	2	2
13169	13169-2386	PLATE,RECOIL STARTER	1	1
32099	32099-2432	CASE,RECOIL STARTER	1	1
46075	46075-2161	GRIP,STARTER-RECOIL	1	1
49060	49060-2064	CAM	1	1
49080	49080-2215	PULLEY-STARTING	1	1
49088	49088-2594	STARTER-RECOIL	1	1
59101	59101-0558	REEL,STARTER-RECOIL	1	1
59106	59106-0556	ROPE,3X850	1	1
92033	92033-2010	RING-SNAP	2	2
92081	92081-2253	SPRING	2	2
92145	92145-0850	SPRING,RECOIL	1	1
92145A	92145-2128	SPRING,RECOIL	1	1
92172	92172-2061	SCREW,4X14	4	4
92172A	92172-2065	SCREW	1	1

This catalog covers:
TJ027E- □ F90

09 This fig. covers:
P.T.O-EQUIPMENT

E0220-A060A

Ref. No.	Part No.	Description	Quantity	
			K	L
13081	13081-2239	CLUTCH-ASSY	1	1
49049	49049-2106	SHOE-CLUTCH	2	2
92043	92043-0722	PIN	2	2
92145	92145-2205	SPRING	1	1
92200	92200-2204	WASHER,6X16X1.0	2	2
92200A	92200-2205	WASHER	2	2



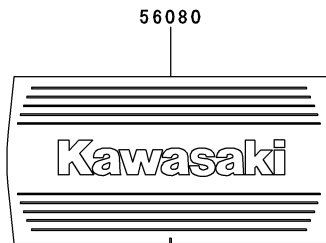
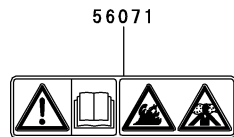
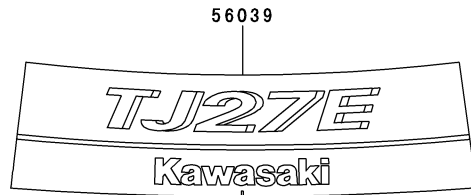
This catalog covers:
TJ027E- □ F90

10 LABEL

This fig. covers:

F0290-B657B

Ref. No.	Part No.	Description	Quantity	
			K	L
56039	56039-0719	LABEL-PRODUCT	1	1
56071	56071-2010	LABEL-WARNING	1	1
56080	56080-2498	LABEL-BRAND	1	1

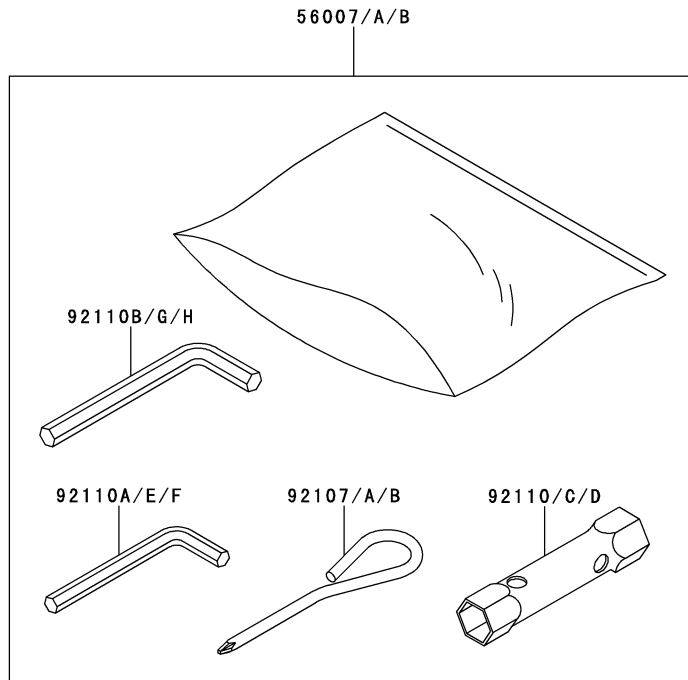


This catalog covers:
TJ027E- □ F90

11 TOOL

This fig. covers:

F0300-A062B



Ref. No.	Part No.	Description	Quantity	
			K	L
56007	56007-2124	TOOL-KIT	*	
56007A	56007-2130	TOOL-KIT		1
56007B	56007-2130	TOOL-KIT	1	
92107	92107-2057	TOOL-DRIVER	*	
92107A	92107-2058	TOOL-DRIVER		1
92107B	92107-2058	TOOL-DRIVER	1	
92110	92110-2076	TOOL-WRENCH,17X19	*	
92110A	92110-2085	TOOL-WRENCH,ALLEN,4MM	*	
92110B	92110-2097	TOOL-WRENCH,ALLEN,5.8MM	*	
92110C	92110-2110	TOOL-WRENCH,17X19		1
92110D	92110-2110	TOOL-WRENCH,17X19	1	
92110E	92110-2111	TOOL-WRENCH,ALLEN,4MM		1
92110F	92110-2111	TOOL-WRENCH,ALLEN,4MM	1	
92110G	92110-2112	TOOL-WRENCH,ALLEN,5.8MM		1
92110H	92110-2112	TOOL-WRENCH,ALLEN,5.8MM	1	

This catalog covers:

TJ027E- □ F90

This fig. covers:

PART NAME INDEX

AIR-FILTER/MUFFLER	06
CARBURETOR	05
COOLING-EQUIPMENT	03
CYLINDER/CRANKCASE	01
ELECTRIC-EQUIPMENT	04
FUEL-TANK/FUEL-VALVE	07
LABEL	10
P.T.O-EQUIPMENT	09
PISTON/CRANKSHAFT	02
STARTER	08
TOOL	11

This catalog covers:

TJ027E- □ F90

This fig. covers:

NUMERICAL PARTS INDEX

Part No.	Fig No.	Part No.	Fig No.	Part No.	Fig No.	Part No.	Fig No.	Part No.	Fig No.
11005-0615	01	41038-2091	03	92110-2111	11				
11011-2392	06	43028-2067	05	92110-2111	11				
11011-2394	06	43028-2096	05	92110-2112	11				
11013-2245	06	43049-2062	05	92110-2112	11				
11053-2066	05	46075-2161	08	92144-2308	05				
11060-2111	05	49019-2114	07	92145-0850	08				
11061-2054	05	49043-2067	05	92145-2128	08				
11061-2203	01	49049-2106	09	92145-2193	04				
11061-2204	06	49060-2064	08	92145-2205	09				
11061-2246	05	49069-0023	06	92153-2136	01				
11061-2247	05	49069-0023	06	92153-2137	06				
11061-2248	05	49069-0728	06	92153-2138	04				
11065-2143	06	49080-2215	08	92154-2053	06				
12021-0025	05	49088-2594	08	92154-2056	03				
12021-2058	05	49089-0766	03	92161-2068	03				
12022-2064	05	49119-2242	02	92171-2073	07				
13001-2174	02	51001-2335	07	92171-2083	04				
13002-2100	02	51048-2083	07	92172-2060	03				
13008-6071	02	56007-2124	11	92172-2061	08				
13033-2064	02	56007-2130	11	92172-2065	08				
13081-2239	09	56007-2130	11	92172-2080	07				
13165-2100	08	56039-0719	10	92172-2103	01				
13169-2386	08	56071-2010	10	92172-2104	01				
13272-2013	01	56080-2498	10	92172-2112	06				
13272-2031	01	59066-0001	03	92172-2123	05				
13280-2077	03	59101-0558	08	92172-2139	05				
13304-0003	03	59106-0556	08	92172-2149	03				
14043-2051	05	92009-2235	05	92173-2009	07				
14069-0017	07	92009-2249	05	92173-2015	03				
14073-2110	05	92009-2277	05	92173-2019	03				
14080-0663	01	92009-2336	05	92192-2130	07				
14080-0664	01	92009-2337	05	92192-2135	04				
14080-0733	01	92009-2395	03	92192-2152	07				
14080-0733	01	92026-2356	02	92200-2074	05				
14080-0734	01	92026-2366	05	92200-2204	09				
14080-0734	01	92026-2367	05	92200-2205	09				
14090-2017	05	92033-2010	08	92210-0737	04				
14091-2147	04	92033-2078	05	92210-2101	04				
15004-0882	05	92033-2198	02	99996-6107	07				
15004-2106	05	92038-2106	04						
16030-2078	05	92043-0722	09						
16055-2051	05	92043-0755	01						
16073-2239	04	92043-2094	05						
16160-2089	05	92045-2278	01						
16160-2141	05	92049-2269	01						
18020-2096	06	92055-2147	05						
18077-2140	06	92055-2221	06						
21050-2329	04	92063-2473	05						
21083-2073	05	92063-2479	05						
21130-2071	04	92070-2121	04						
21169-2078	04	92071-2142	07						
21171-2286	04	92081-2253	08						
26011-0862	04	92107-2057	11						
26011-2388	04	92107-2058	11						
26011-2389	04	92107-2058	11						
32085-2107	05	92110-2076	11						
32099-2432	08	92110-2085	11						
34001-2091	01	92110-2097	11						
39156-2101	03	92110-2110	11						
39156-2102	03	92110-2110	11						