

# LC1P70FE

Loncin Walk Behind Engine - Shaft F

Shaft Length (mm): 80.2

Shaft Diameter: 7/8 (22.2mm)

Displacement (cc) : 196

Bore x Stroke (mm): 70×51.

Net power: 4.0KW/ 3600 RPM.

Net Torque: 12NM/2500 RPM.

Starting System: Recoil

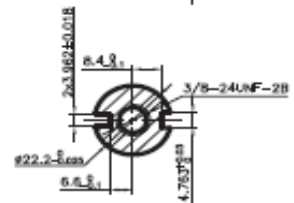
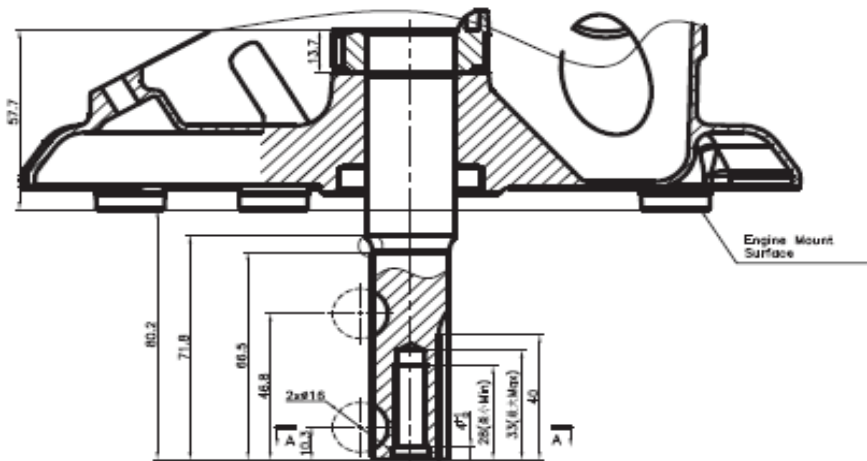
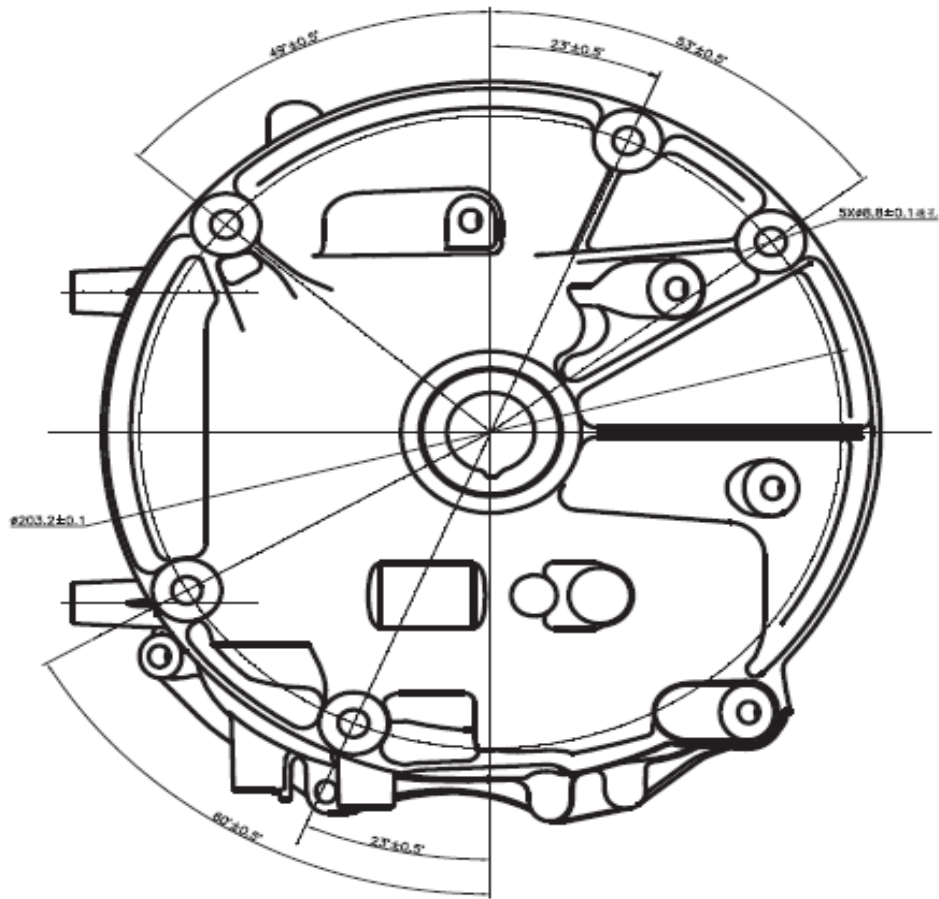
Lubrication system: Splash

Air filter: Paper.

Automatic Choke

Net weight (kg): 9.3

# LC1P65FE-2 / LC1P70FE



LC1P65FE-2-F  
LC1P70FE-F

FIRST ANGLE PROJECTION			CRANKSHAFT TYPE	F
LONCIN INDUSTRIAL CO., LTD.				
GENERAL PURPOSE ENGINE DIVISION				