



汽油机零部件图册

PART CATALOGUE

LC1P88F-1

LC1P90F-1

LC1P92F-1



版本号 **VERSION No.:** 2011-01

隆鑫通用动力股份有限公司

LONCIN MOTOR CO.,LTD.

零件目录使用说明(Instruction for use of parts catalogue)

本零件目录是根据2011年1月所能得到的最新资料编制而成的。

This parts catalogue was prepared based on the latest information available as of August 2011.

请注意2011年1月以后本零部件目录的修订通知。

See the parts catalogue news for any revision that is made after August 2011.

当订购零件时，一定要明确指出其零件编号。

Always specify the part number when ordering a part.

注意本零件目录所给出的图形可能与实际零件外形有所不同。

Note that the illustrations can differ from the actual parts in shape.

当需要对零部件目录的内容进行更改或增加时，本公司将在适当的时间出版修订版，为保证在任何时候都可以使用到最新版本的零部件目录建议拥有最新的修订版本。如果要检查修订版本是否已经发行，请直接与LONCIN联系。

When modifications or additions to this parts catalogue are made, a revised edition will be issued at an appropriate time, We recommend obtaining such revisions in order to keep your parts catalogue up-to-date at all times. To check whether a parts catalogue revision has been issued, please contact your LONCIN distributor.

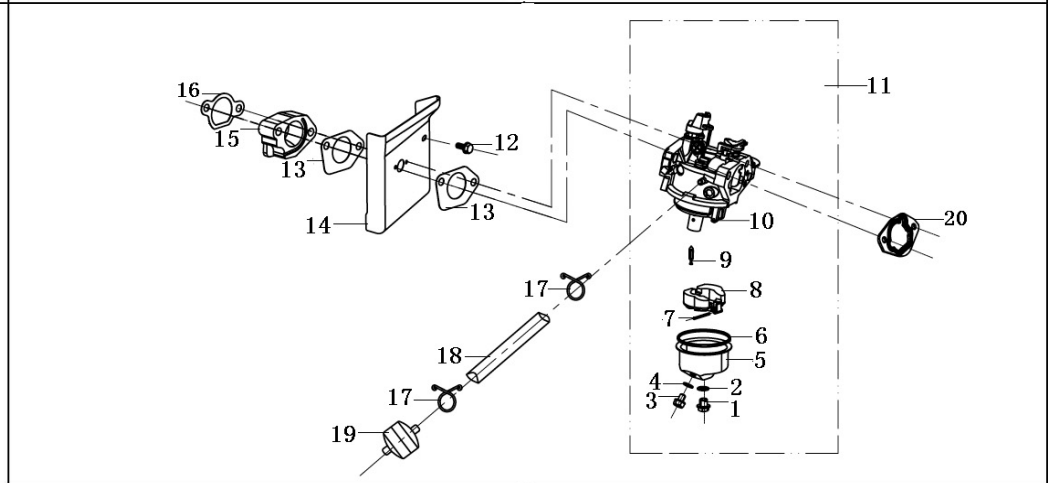
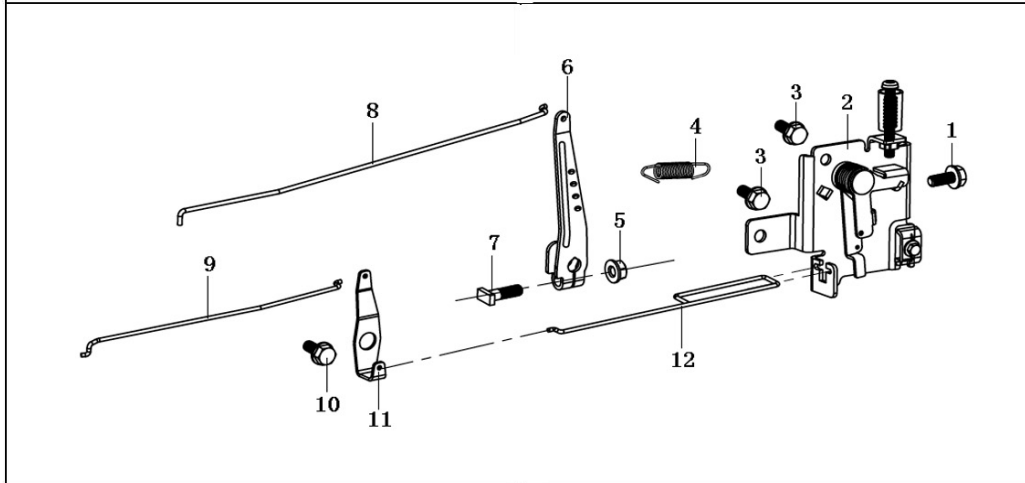
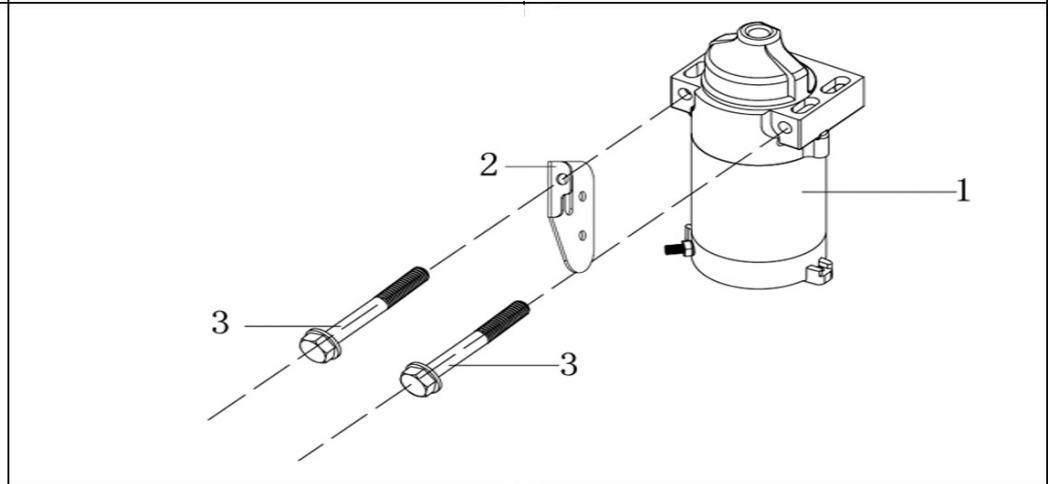
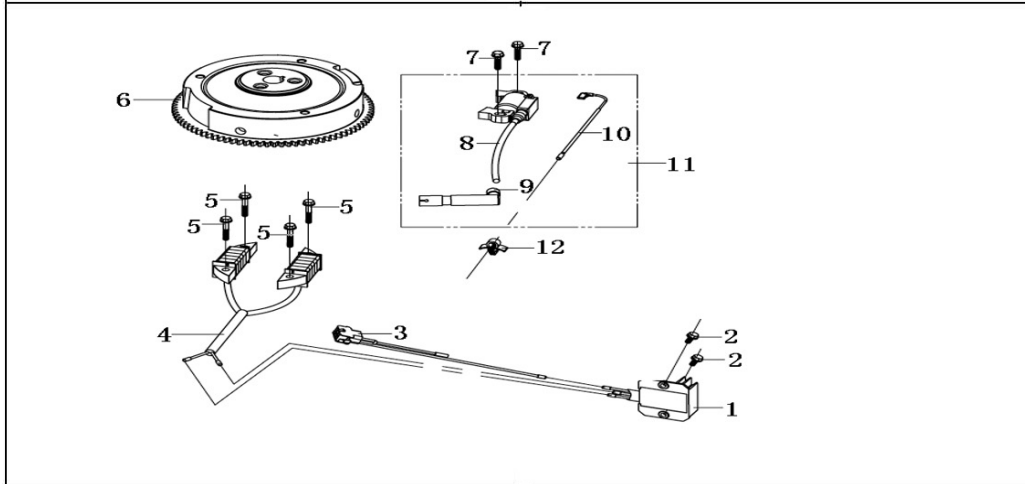
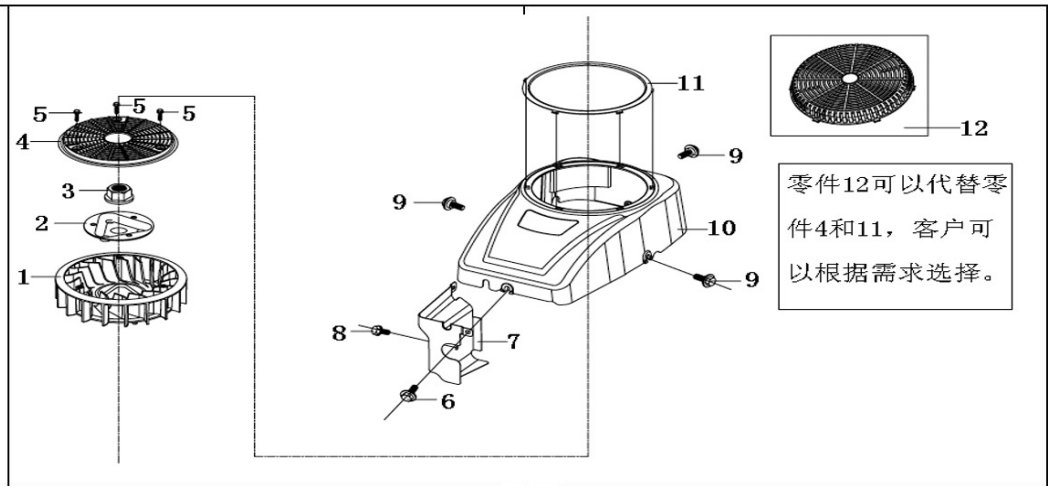
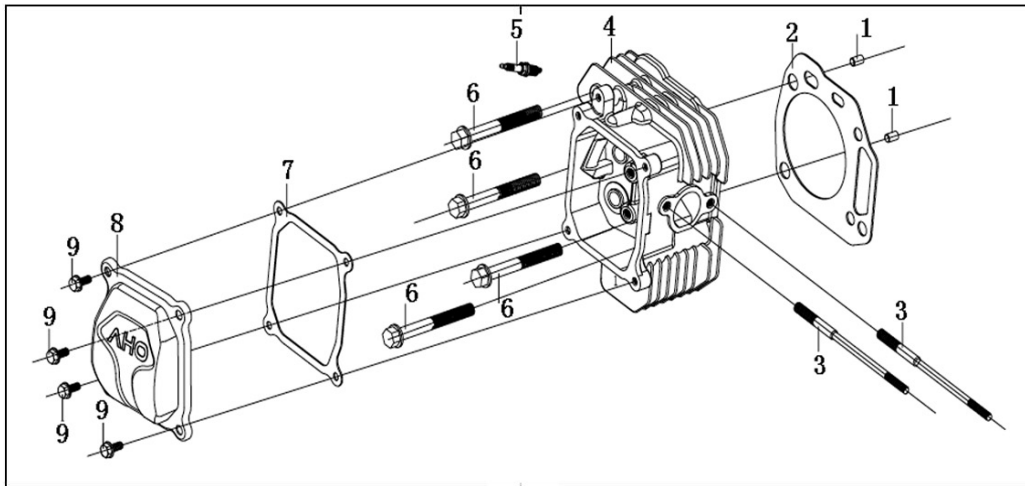
示例 (Example)

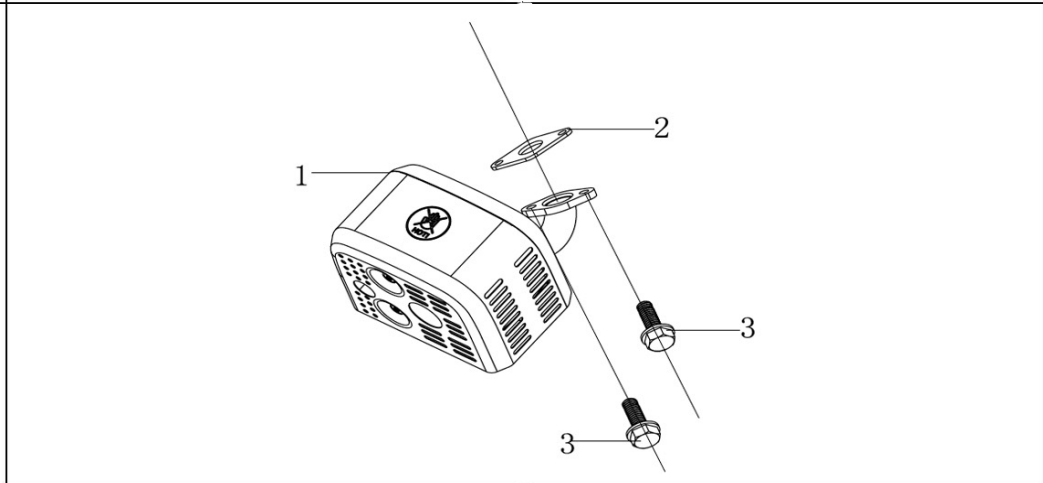
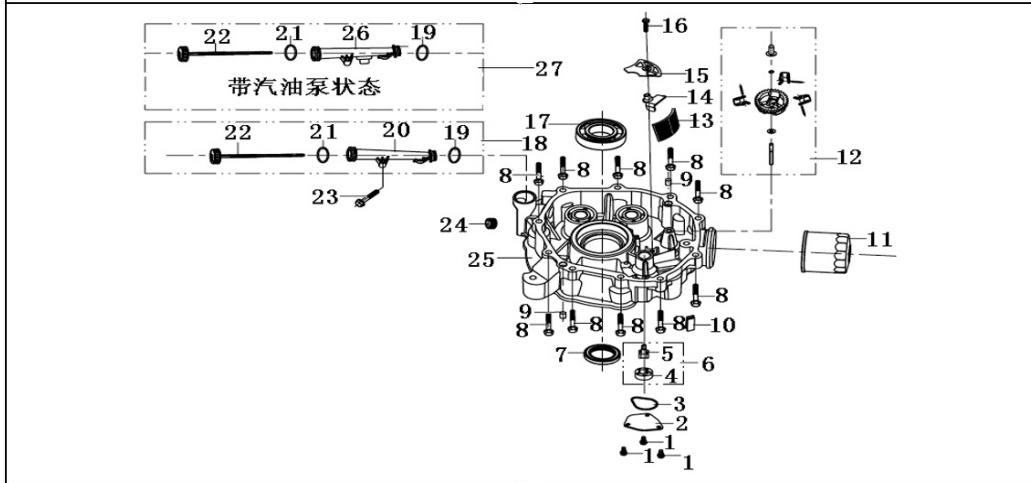
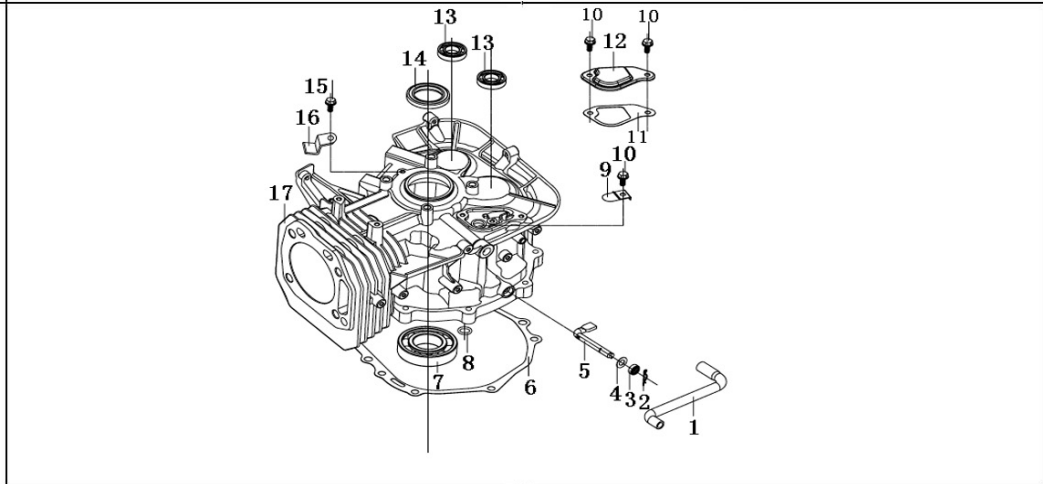
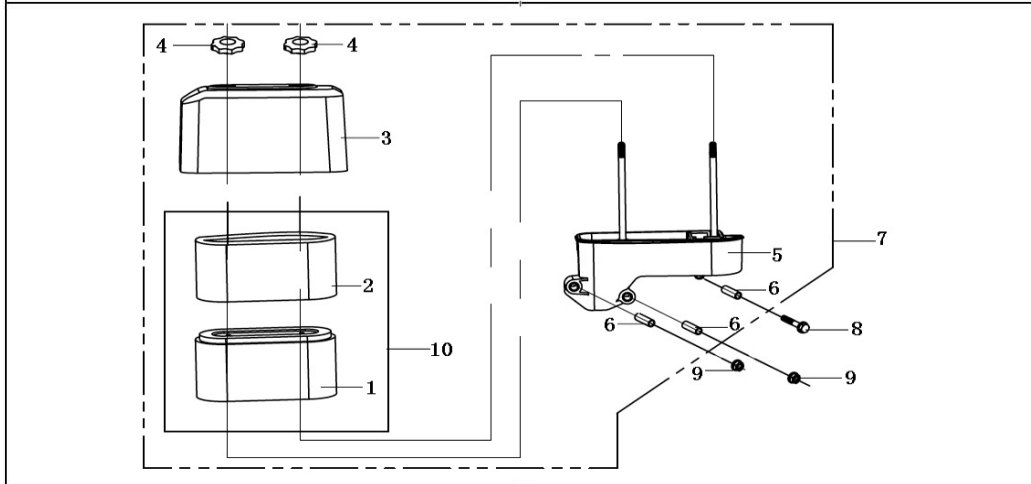
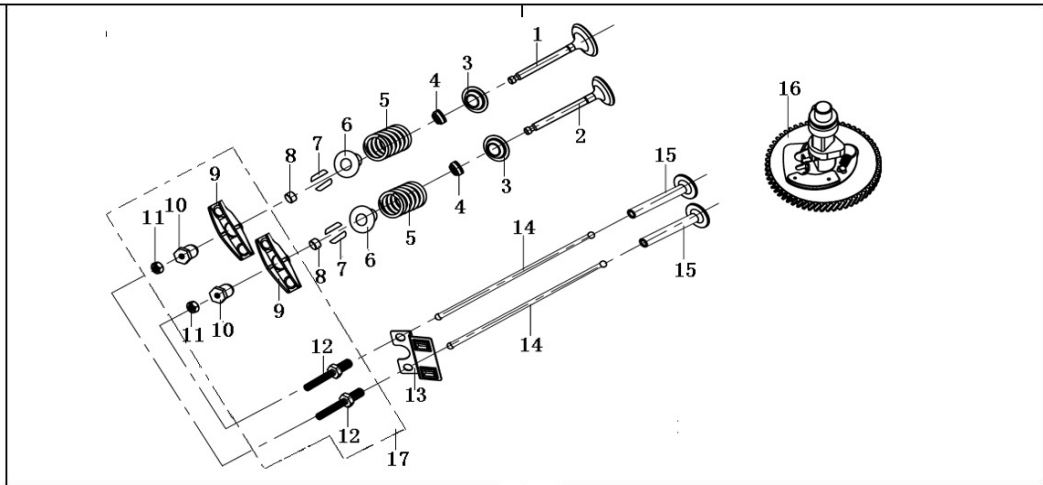
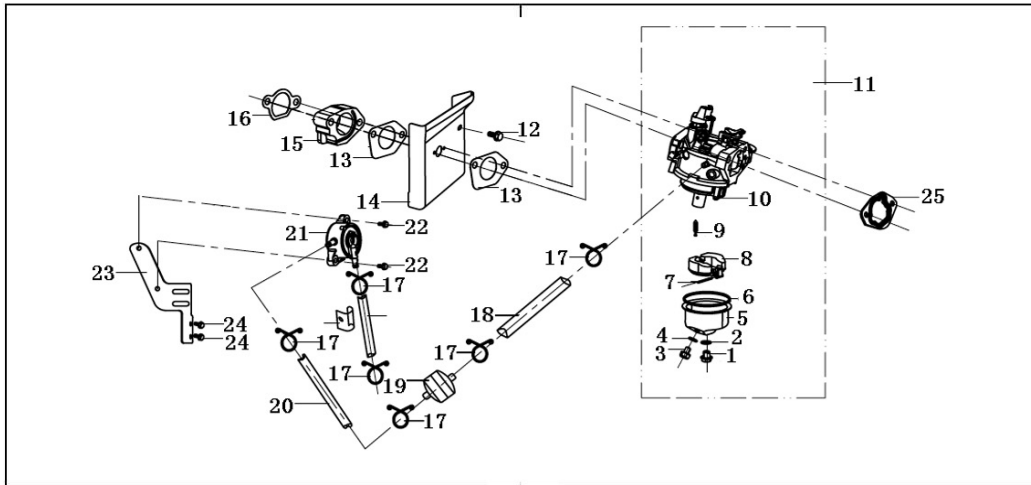
序号 No.	零部件图号 Part No.	零部件名称	Description	数量 (Reqd. QTY)		
				LC168F(D)-I		
10	380370051-T040	六角法兰面螺母	NUT, SPECIAL	1		
11	270020162-T040	磁电机转子部件	FLYWHEEL COMP	(1)		

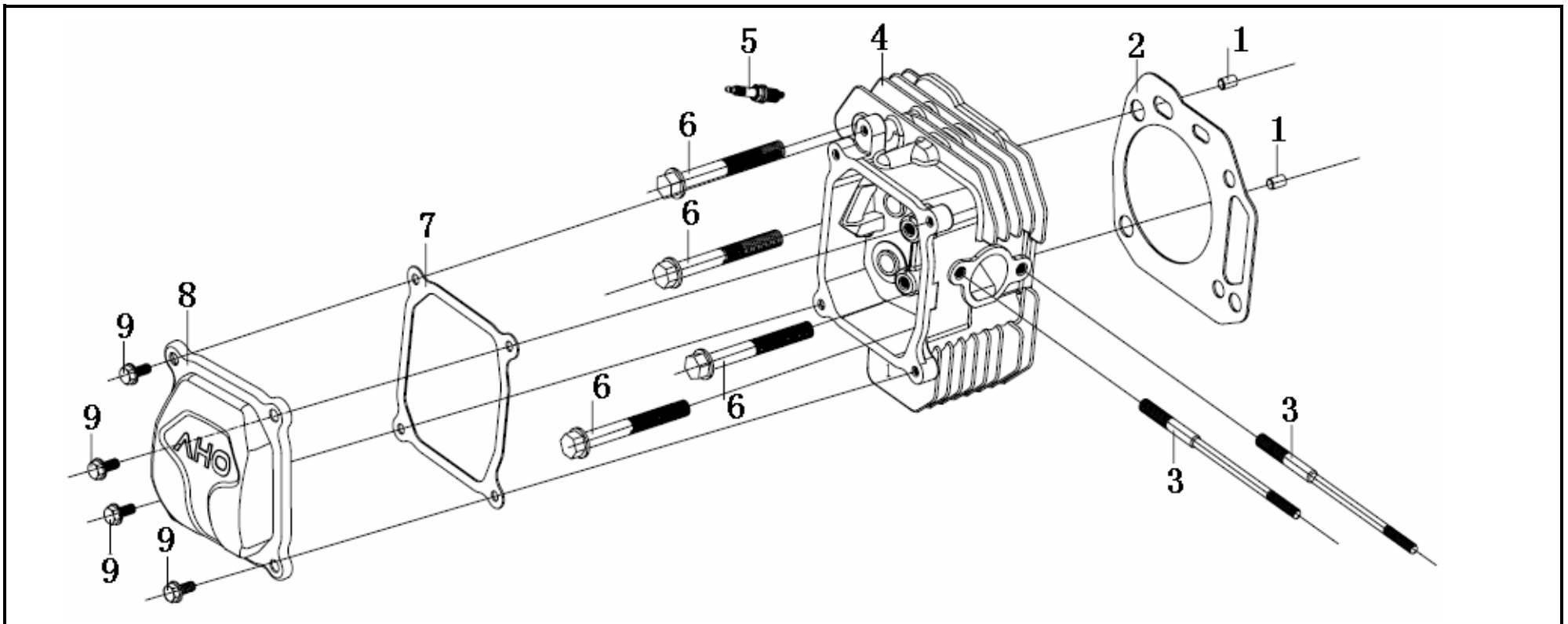
LC168F(D)-I表示LC168F-I及LC168FD-I； [LC168F(D)-I means LC168F-I and LC168FD-I]

1 表示LC168F-I及LC168FD-I各1个； [1 means LC168F-I has 1 QTY and LC168FD-I has 1 QTY]

(1) 表示LC168F-I没有，LC168FD-I有1个。 [(1) means LC168F-I require 0 QTY and LC168FD-I require 1 QTY]

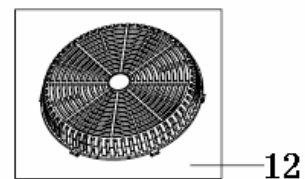
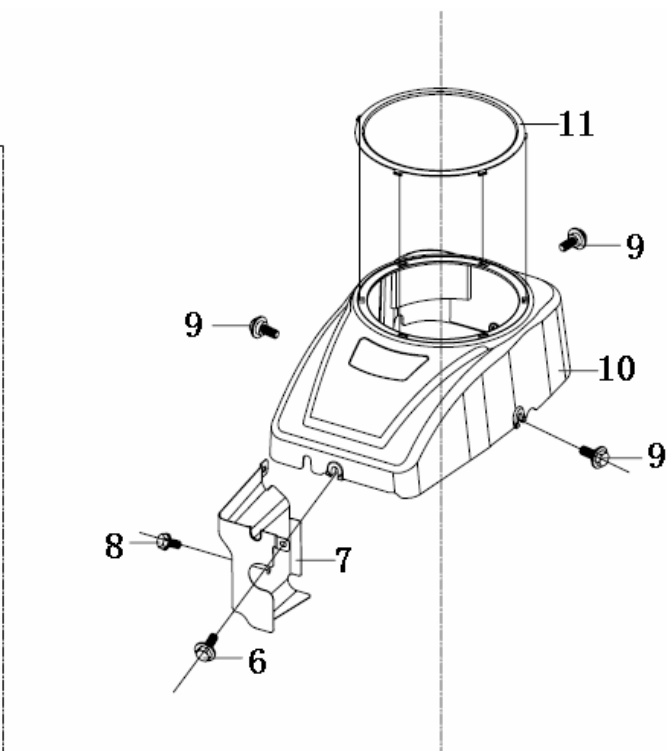
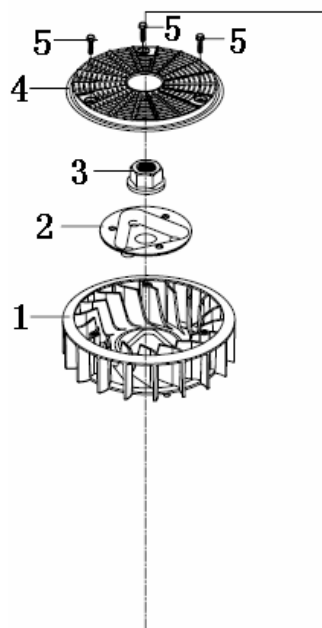






气缸头 (Gear Box Assy)

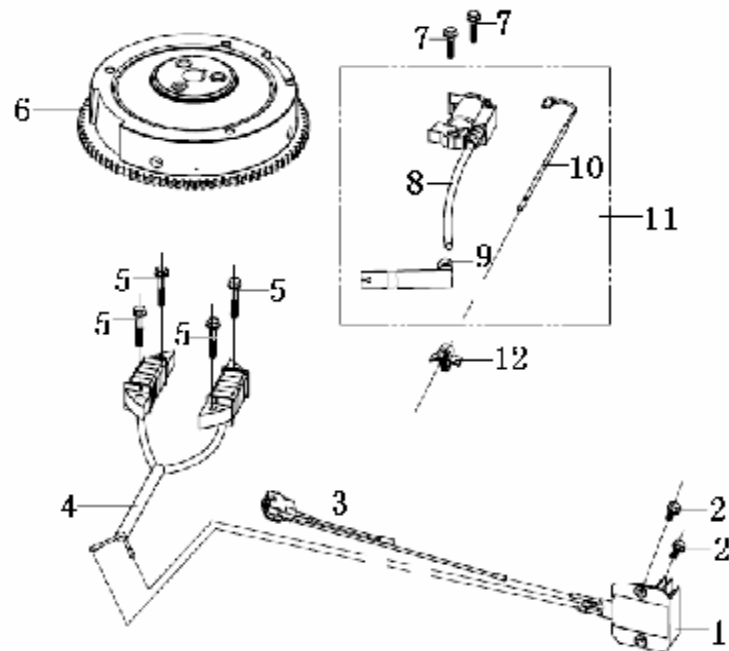
序号 No.	零部件图号 Part No.	零部件名称	Description	数量 (Reqd. QTY)		
				1P88F-1	1P90F-1	1P92F-1
1	380600116-T110	定位销	Pin, Dowel	2	2	2
2	120150138-T361	气缸头密封垫	Gasket, Cylinder	1	—	—
	120150164-T372	气缸头密封垫	Gasket, Cylinder	—	1	—
	120150146-T380	气缸头密封垫	Gasket, Cylinder	—	—	1
3	380180088-T370	双头螺栓	Bol t, Stud	2	2	2
4	120080283-T370	气缸头	Head Comp., Cylinder	1	—	—
	120080436-T381	气缸头	Head Comp., Cylinder	—	1	1
5	270960028-0001	火花塞	Spark Plug	1	1	1
6	380140335-0001	六角头法兰面螺栓	Bol t, Cylinder Head	4	4	4
7	120250028-T381	气缸头盖密封垫	Packing, Head Cover	1	1	1
8	120220032-T381	气缸头盖组合	Cover Comp., Head, Left	1	1	1
9	380020070-T370	六角头轴肩螺栓	Bol t, Hexagonal 6×16.5-8×3.5	4	4	4



零件12可以代替零件4和11，客户可以根据需求选择。

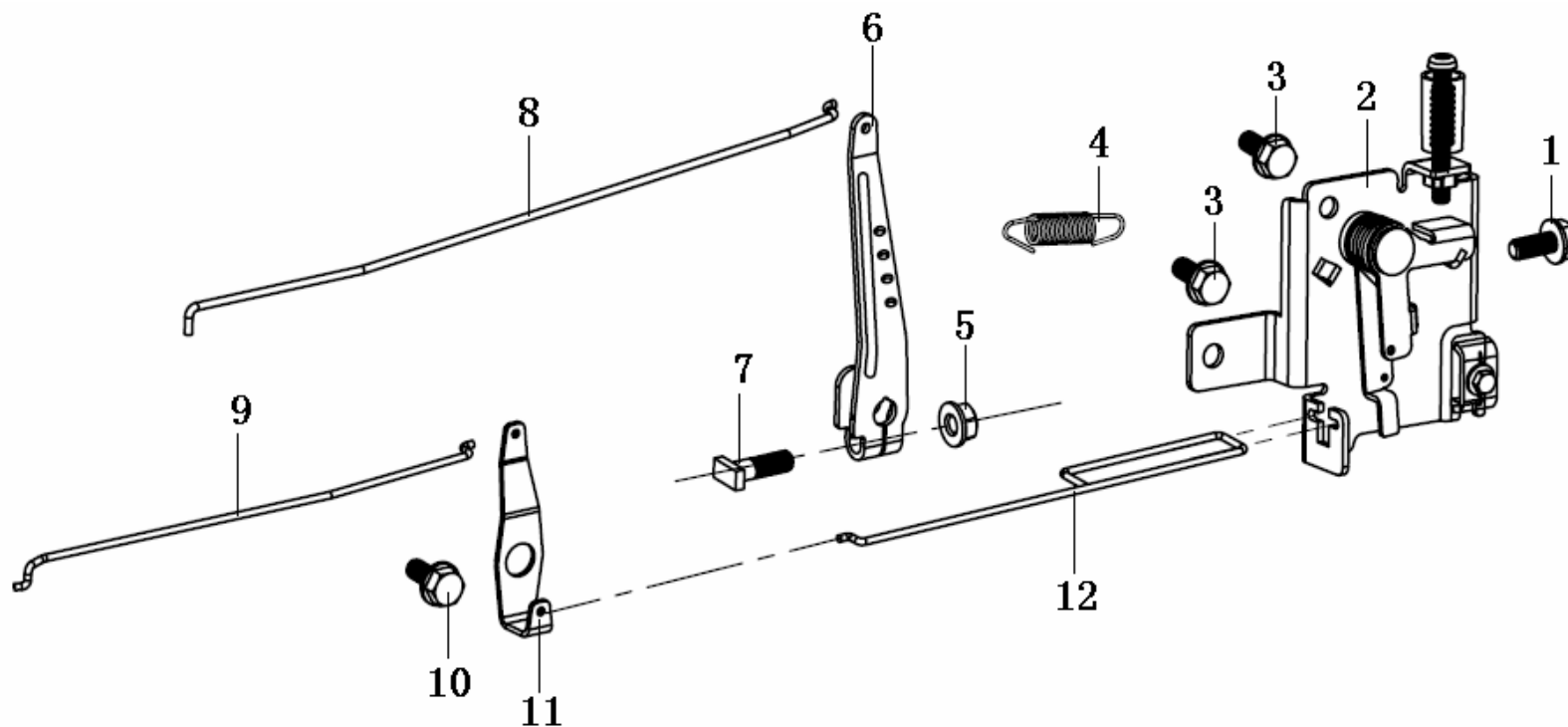
导风部件 (Blower Housing)

序号 No.	零部件图号 Part No.	零部件名称	Description	数量 (Reqd. QTY)		
				1P88F-1	1P90F-1	1P92F-1
1	160180024-T381	叶轮	Fan, Cooling	1	1	1
2	193590013-T370	起动盘	Pulley, Starter	1	1	1
3	380370050-T110	六角法兰面螺母	Nut, Special	1	1	1
4	160850002-T381	叶轮罩	Fan, Cover	1	1	1
5	380140049-0003	六角头法兰面螺栓	Bolt, Flange M5×16	3	3	3
6	380020087-T390	六角头轴肩螺栓	Bolt, Hexagonal	1	1	1
7	160190050-T381	空气导流罩	Shroud Comp	1	1	1
8	380140067-0003	六角头法兰面螺栓	Bolt, Flange, M6×12	1	1	1
9	380020070-T370	六角头轴肩螺栓	Bolt, Hexagonal	3	3	3
10	160210046-T381	风扇罩部件	Cover Comp., Fan	1	1	1
11	160840002-T381	风扇罩护圈	Retaining Ring, Housing	1	1	1
12	195360009-T381	启动器外罩	Case, Starter Outer	1	1	1



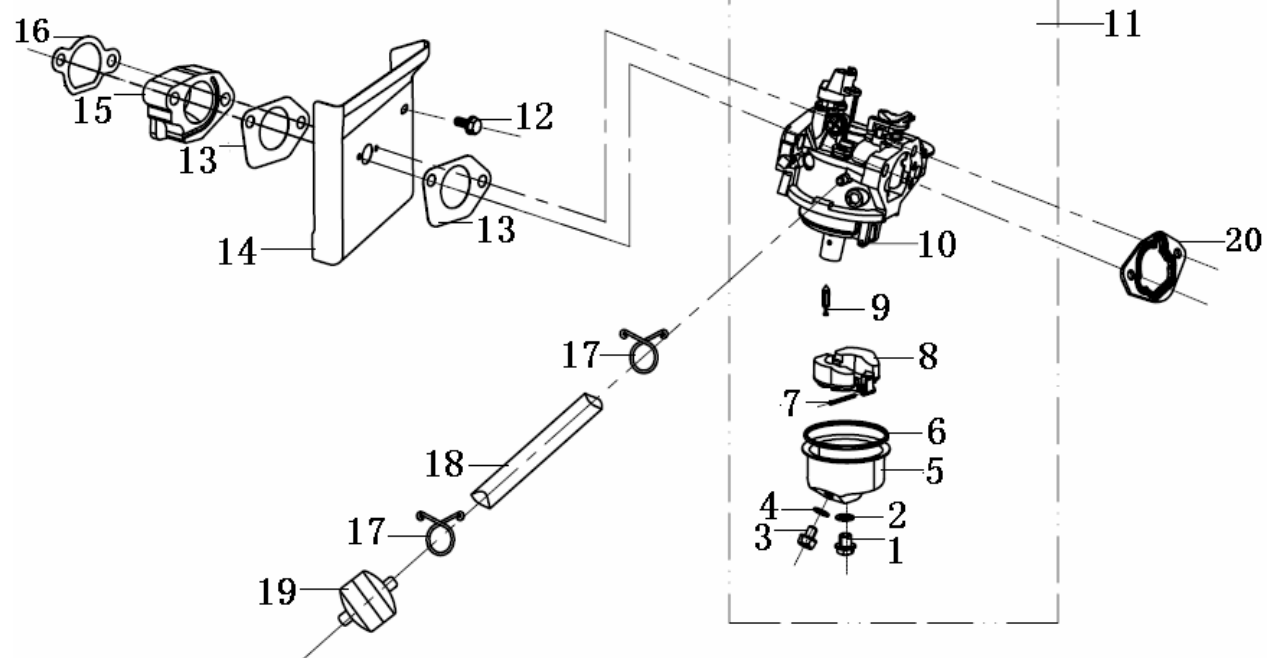
点火系统 (Flywheel)

序号 No.	零部件图号 Part No.	零部件名称	Description	数量 (Reqd. QTY)		
				1P88F-1	1P90F-1	1P92F-1
1	270880145-T381	调整流器	Rectifier	1	1	1
2	380140067-0003	六角头法兰面螺栓	Bolt, Flange M6×12	2	2	2
3	271280021-T381	连接线	Output Wire, Rectifier	1	1	1
4	270190012-T381	充电线圈部件	Coil Assy, Charge	1	1	1
5	380140054-0003	六角法兰面螺栓	Bolt, Flange M6×30	4	4	4
6	270020093-T370	磁电机转子部件	Flywheel Comp	1	1	1
7	380140103-0004	六角头法兰面螺栓	Bolt, Flange M6×25	2	2	2
8	270930037-T370	点火线圈体	Coil, Ignition	1	1	1
9	270950068-T370	火花塞帽	Rubber, Spark Plug Cap	1	1	1
10	271670010-T370	熄火线	Wire, Stopping Engine	1	1	1
11	270920175-T370	点火线圈	Coil Assy, Ignition	1	1	1



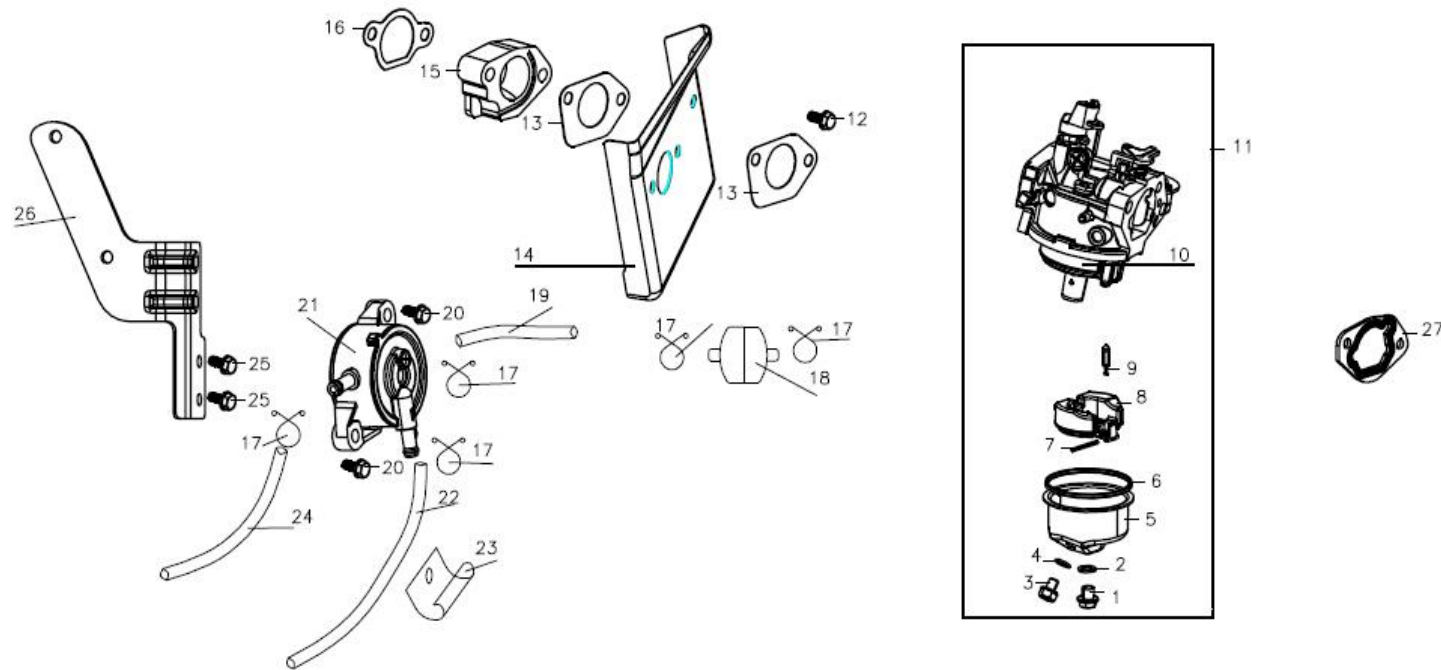
调速控制系统 (Governor)

序号 No.	零部件图号 Part No.	零部件名称	Description	数量 (Reqd. QTY)		
				1P88F-1	1P90F-1	1P92F-1
1	380140013-0005	六角头法兰面螺栓	Bol t M6×16	1	1	1
2	171680036-T370	油门操纵手柄组合	Contorl assy	1	1	1
3	380140209-0001	六角头法兰面螺栓	Bol t, Flange M6×14	2	2	2
4	171600020-T370	调速弹簧	Spring, Governor	1	1	1
5	380370066-0001	六角法兰面螺母 M6	Nut, Flange M6	1	1	1
6	171620013-T370	调速支架	Arm, Governor	1	1	1
7	380250002-T040	方头平端紧固螺栓	Bol t, Governor Arm	1	1	1
8	171590013-T370	油门拉杆	Rod, Governor	1	1	1
9	171490002-T370	阻风门杆	Rod, Choke	1	1	1
10	380020071-T370	六角头轴肩螺栓	Bol t, Hexagonal	1	1	1
11	171480013-T370	阻风门支架	Stay Comp., Choke	1	1	1
12	171650003-T370	阻风门拉杆	Rod, Throttle	1	1	1



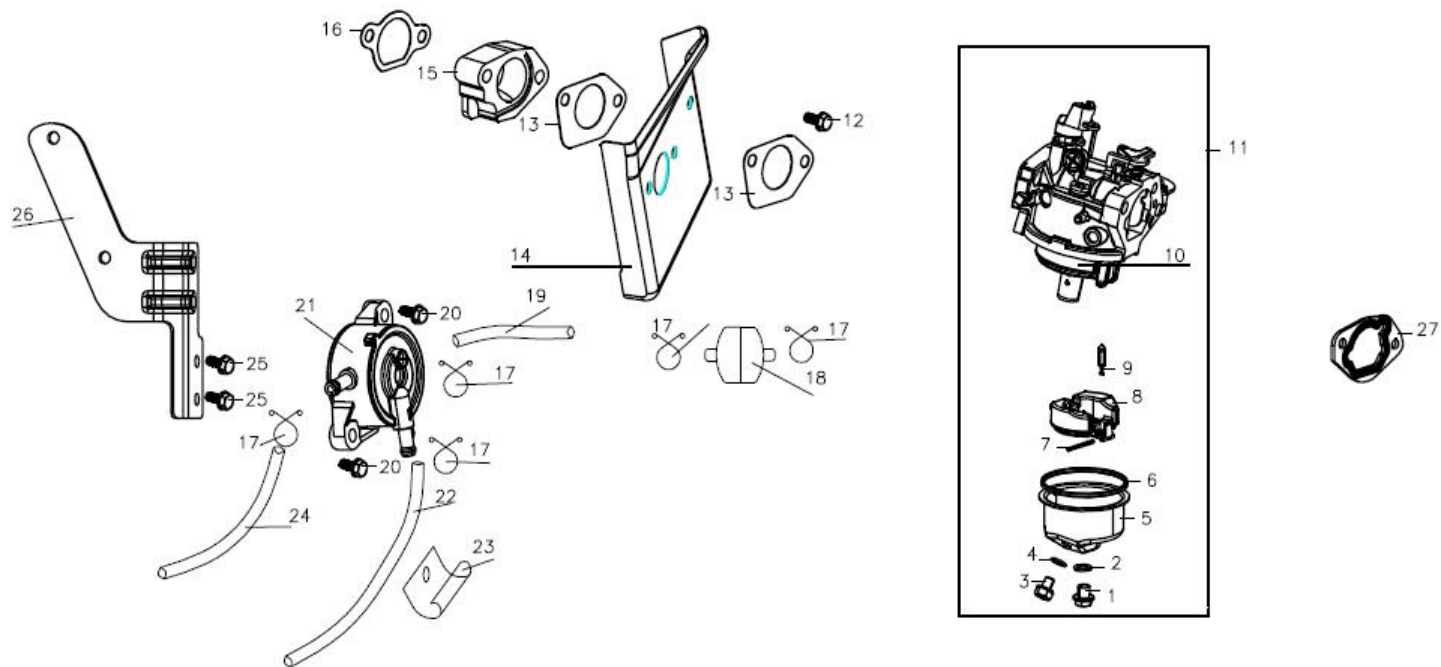
化油器 (Carburetor)

序号 No.	零部件图号 Part No.	零部件名称	Description	数量 (Reqd. QTY)		
				1P88F-1	1P90F-1	1P92F-1
1	380140445-T110	六角头法兰面螺栓	Bol t,Oil Cup	1	1	1
2	380450595-T370	平垫圈	Washer,oil cup bol t	1	1	1
3	172930001-T040	油杯放油螺塞	Drain Plug,Oil Cup	1	1	1
4	380450594-T370	平垫圈	Gasket,Oil Cup	1	1	1
5	170250022-T110	浮子室	Oil cup	1	1	1
6	380840456-T110	密封圈	Gasket,Oil Cup	1	1	1
7	170290016-T110	浮子销	Pin,Float	1	1	1
8	170280020-T110	浮子	Float	1	1	1
9	170180025-T110	浮子阀	Val ve,Float	1	1	1
10	170160054-T370	化油器主体	Noumenon, Carburetor	1	1	1
11	170020989-T371	化油器	Carburetor Assy	1	—	—
	170021010-T371	化油器	Carburetor Assy	—	1	—
	170021008-T381	化油器	Carburetor Assy	—	—	1
12	380140067-0003	六角头法兰面螺栓	Bol t, Flange	1	1	1
13	170430099-T370	化油器密封垫	Pack ing, Carburetor	2	2	2
14	160190049-T381	气缸头导流罩	Shroud Comp	1	1	1



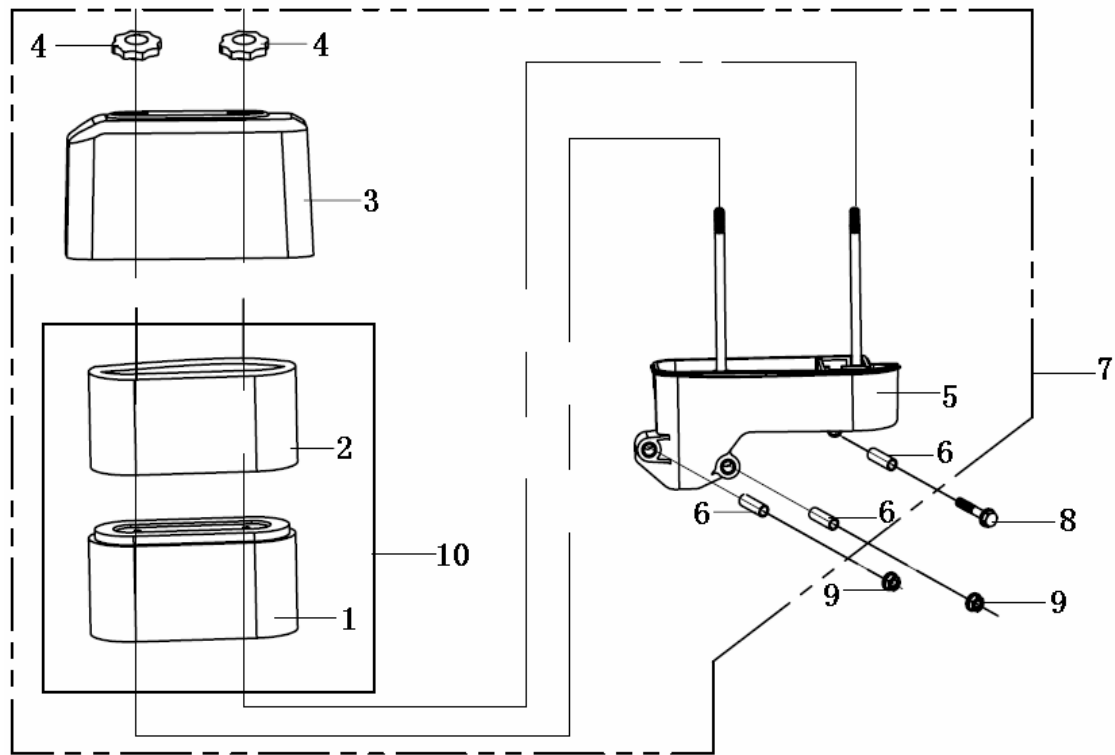
化油器 (Carburetor With Pump)

序号 No.	零部件图号 Part No.	零部件名称	Description	数量 (Reqd. QTY)		
				1P88F-1	1P90F-1	1P92F-1
1	380140445-T110	六角头法兰面螺栓	Bol t,Oil Cup	1	1	1
2	380450595-T370	平垫圈	Washer,oil cup bol t	1	1	1
3	172930001-T040	油杯放油螺塞	Drain Plug,Oil Cup	1	1	1
4	380450594-T370	平垫圈	Gasket,Oil Cup	1	1	1
5	170250022-T110	浮子室	Oil cup	1	1	1
6	380840456-T110	密封圈	Gasket,Oil Cup	1	1	1
7	170290016-T110	浮子销	Pi n,Float	1	1	1
8	170280020-T110	浮子	Float	1	1	1
9	170180025-T110	浮子阀组合	Val ve,Float	1	1	1
10	170160054-T370	主体	Noumenon, Carburetor	1	1	1
11	170020989-T371	化油器	Carburetor Assy	1	—	—
	170021010-T371	化油器	Carburetor Assy	—	1	—
	170021008-T381	化油器	Carburetor Assy	—	—	1
12	380140067-0003	六角头法兰面螺栓	Bol t, Flange	1	1	1
13	170430099-T370	化油器密封垫	Packi ng, Carburetor	2	2	2
14	160190049-T381	气缸头导流罩	Shroud Comp	1	1	1



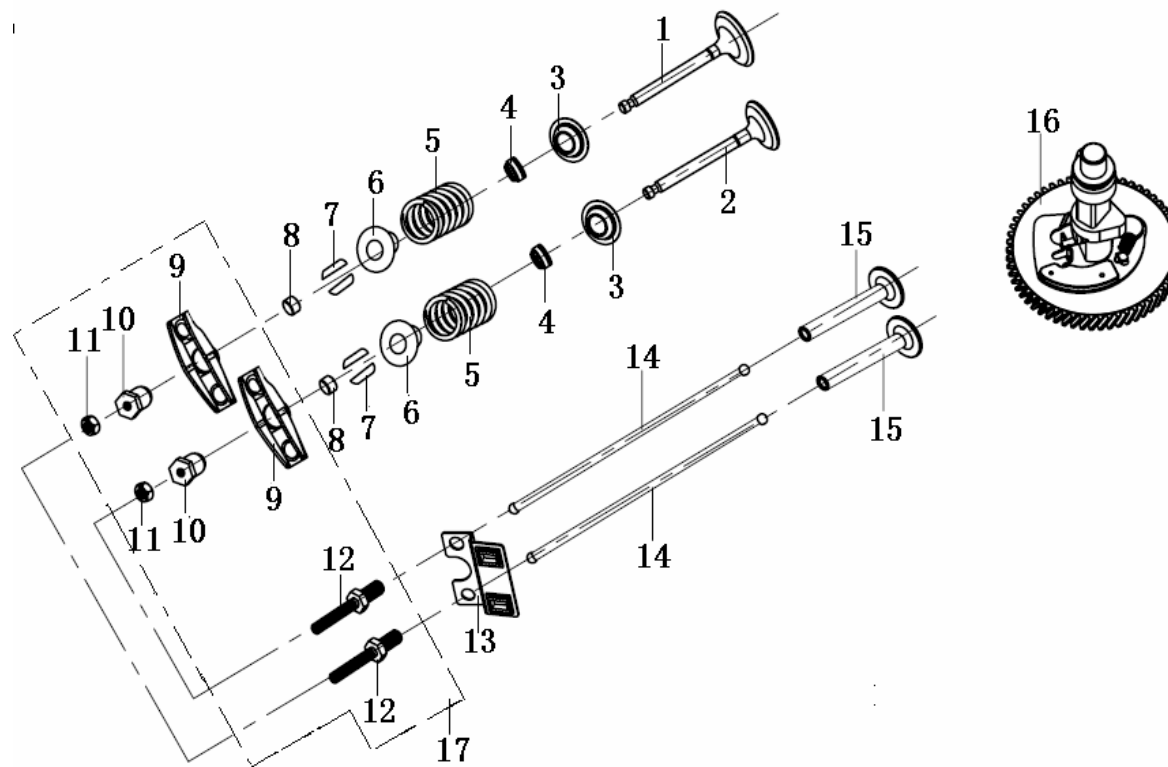
化油器 (Carburetor With Pump)

序号 No.	零部件图号 Part No.	零部件名称	Description	数量 (Reqd. QTY)		
				1P88F-1	1P90F-1	1P92F-1
15	170440053-T370	化油器隔热垫	Insulator, Carburetor	1	1	1
16	170430101-T370	化油器密封垫	Packing, Carburetor	1	1	1
17	380950193-T370	管夹	Tube	6	6	6
18	170010018-T370	燃油滤清器	Strainer, Fuel	1	1	1
19	380750200-T370	油管	Oil Pipeline11*6.5*105	1	1	1
20	380140013-0005	六角头法兰面螺栓	Bolt, Flange	2	2	2
21	170460006-T240	汽油泵	Fuel Pump	1	1	1
22	380750188-T370	油管	Oil Pipeline11*6.5*380	1	1	1
23	380950197-T370	管夹	Tube	1	1	1
24	380750336-T370	油管	Oil Pipeline11*6.5*285	1	1	1
25	380140077-0005	六角头法兰面螺栓	Bolt, Flange	2	2	2
26	170470005-T370	汽油泵支架	Stent Fuel Pump	1	1	1
27	170430100-T370	化油器密封垫	Packing, Carburetor	1	1	1



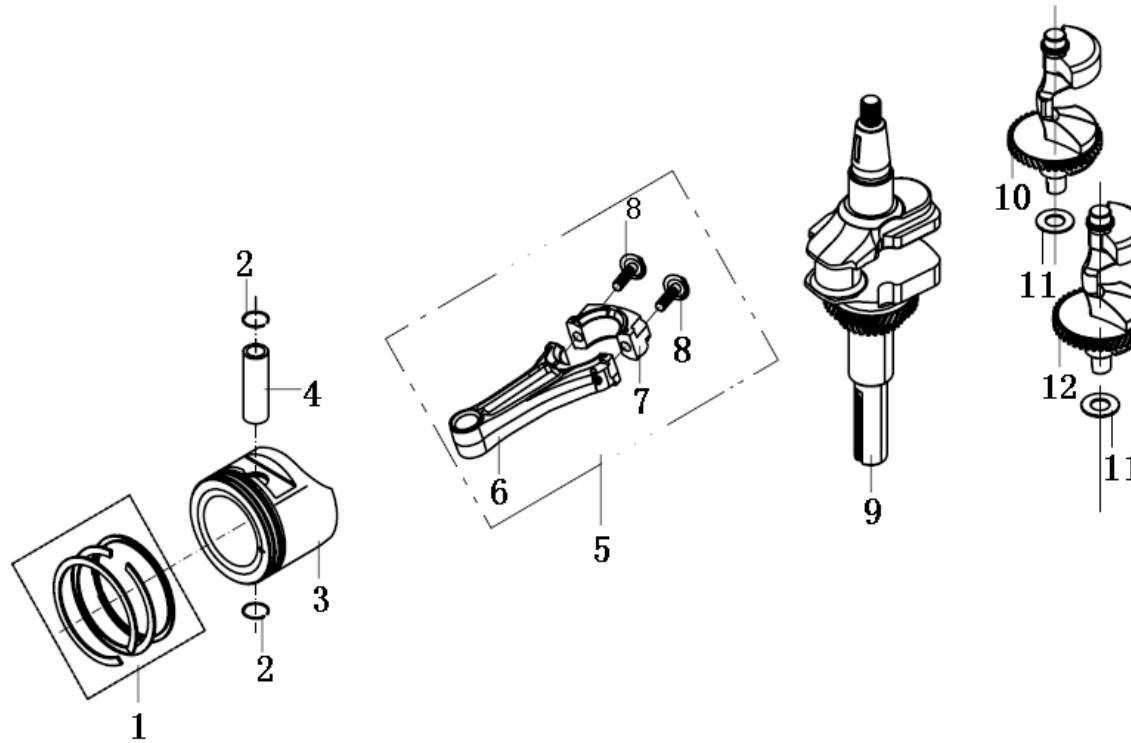
空滤器 (Air Cleaner)

序号 No.	零部件图号 Part No.	零部件名称	Description	数量 (Reqd. QTY)		
				1P88F-1	1P90F-1	1P92F-1
1	180130188-T381	空滤器滤芯 (滤芯体)	Element	1	1	1
2	180130187-T381	空滤器滤芯 (粗滤海绵)	Filter, outer	1	1	1
3	180070146-T381	空滤器壳体盖	Cover, Air Cleaner	1	1	1
4	181950006-T381	螺纹手柄	Handle, Air Cleaner Bolt	2	2	2
5	180280028-T381	空滤器座	Elbow comp., air cleaner	1	1	1
6	380821930-T370	长衬套	Collar, Long	3	3	3
7	180020492-T381	空滤器	Air Cleaner Assy	1	1	1
8	380140100-0003	六角头法兰面螺栓	Bolt, Flange M6×35	1	1	1
9	380370066-0001	六角头法兰面螺母	Nut M6	2	2	2
10	180100064-T381	空滤器滤芯组合	Element, Left	1	1	1



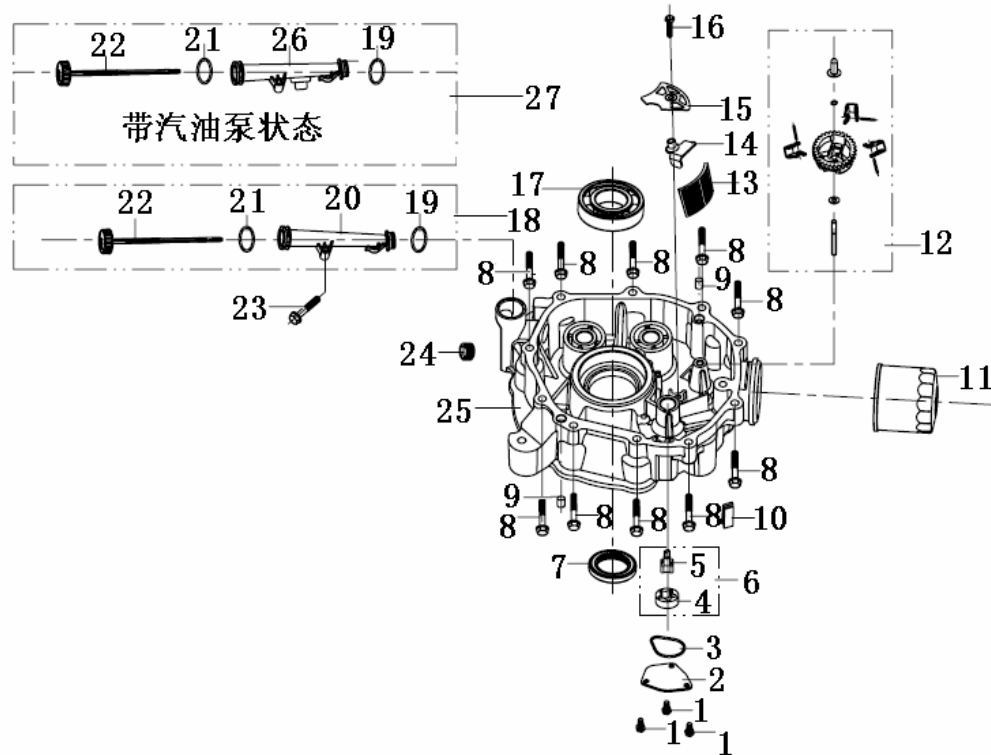
配气机构 (Valve)

序号 No.	零部件图号 Part No.	零部件名称	Description	数量 (Reqd. QTY)		
				1P88F-1	1P90F-1	1P92F-1
1	140300055-T370	进气门	Valve, In.	1	—	—
	140300065-T381	进气门	Valve, In.	—	1	1
2	140310055-T370	排气门	Valve, Ex.	1	—	—
	140310064-T381	排气门	Valve, Ex.	—	1	1
3	140360010-T110	气门内弹簧座圈	Seat, Valve Spring	2	2	2
4	140400012-T110	挡油罩	Seal, Valve Stem	2	2	2
5	140340025-T11D	气门内弹簧	Spring, Valve	2	2	2
6	140380021-T11D	气门弹簧座	Retainer, Ex. Valve Spring	2	2	2
7	140390015-T11D	气门锁夹	Valve Keeper	4	4	4
8	140320002-T110	气门调整帽	Rotator, Valve	2	—	—
9	140460024-T110	气门摇臂	Rocker Arm	2	—	—
	140460039-T381	气门摇臂	Rocker Arm	—	2	2
10	140490012-T040	气门调节螺母	Pivot Rocker Arm	2	2	2
11	140470001-T040	气门锁紧螺母	Nut, Pivot Adjusting	2	2	2
12	140480012-T040	气门调节螺栓	Bolt Pivot	2	2	2



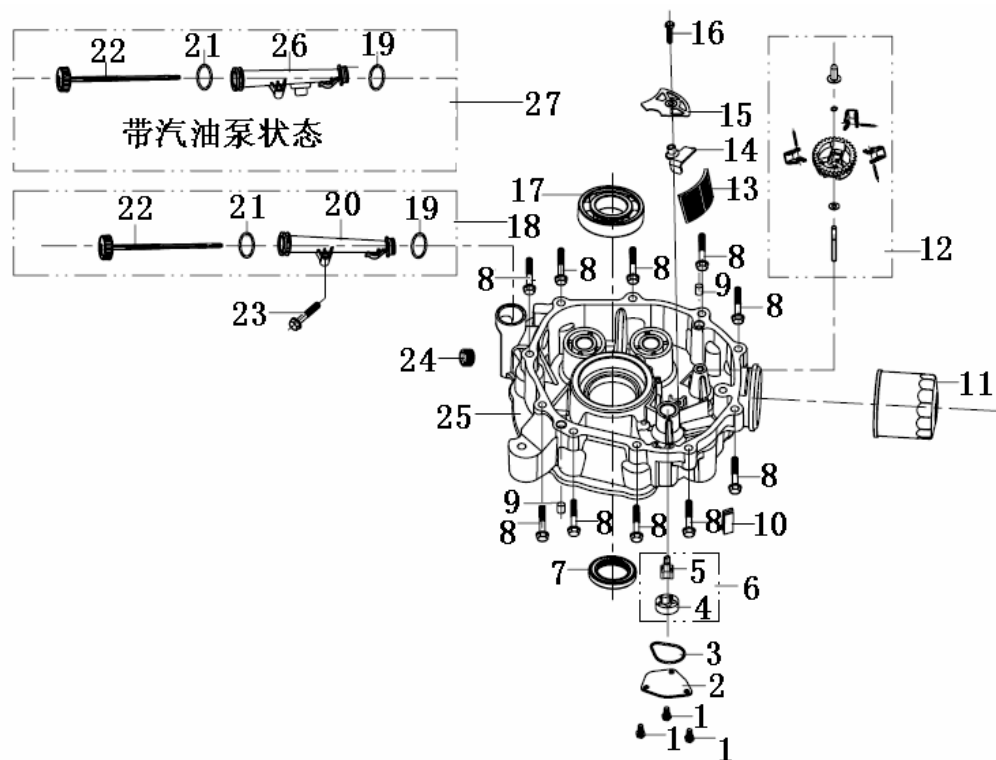
曲柄连杆 (Crankshaft)

序号 No.	零部件图号 Part No.	零部件名称	Description	数量 (Reqd. QTY)		
				1P88F-1	1P90F-1	1P92F-1
1	130070083-T110	活塞环组合	Ring Set	1	—	—
	130070161-T371	活塞环组合	Ring Set	—	1	—
	130070103-T380	活塞环组合	Ring Set	—	—	1
2	380560057-T110	钢丝挡圈	Clip, Piston Pin	2	2	2
3	130030122-T360	活塞	Piston	1	—	—
	130030165-T372	活塞	Piston	—	1	—
	130030114-T380	活塞	Piston	—	—	1
4	130060034-T110	活塞销	Pin, Piston	1	1	1
5	130150048-T370	连杆	Rod Assy., Connecting	1	1	1
6	130160012-T370	连杆体	Connecting Rod	1	1	1
7	130170010-T370	连杆盖	Connecting Rod Cover	1	1	1
8	130180009-T370	连杆螺栓	Bolt, Connecting Rod	2	2	2
9	130290102-T370	曲轴部件	Crankshaft Comp	1	1	1
10	130450010-T370	平衡轴	Weight, Balancer	1	1	1
11	380450560-T370	平垫圈17.2×30×1.5	Washer	2	2	2



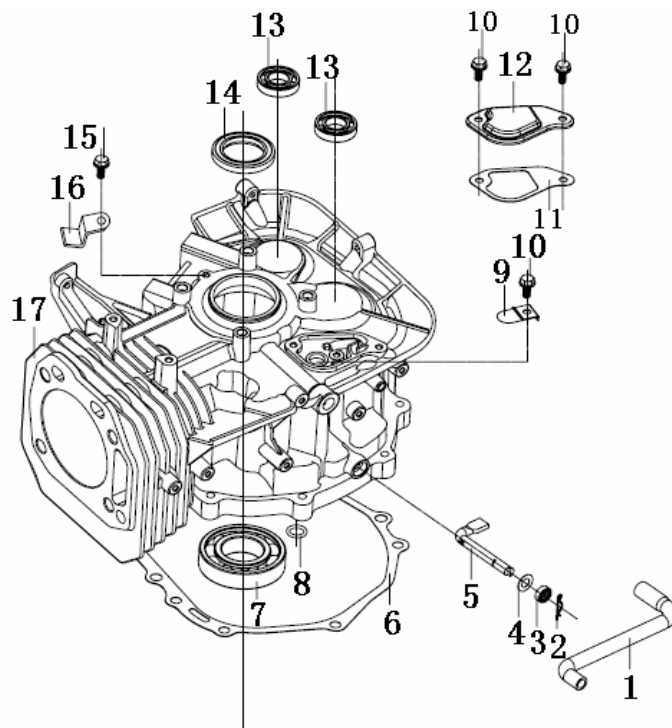
曲轴箱盖 (Crankshaft Cover)

序号 No.	零部件图号 Part No.	零部件名称	Description	数量 (Reqd. QTY)		
				1P88F-1	1P90F-1	1P92F-1
1	380140013-0005	六角头法兰面螺栓	Bol t, Flange M6×16	3	3	3
2	150040019-T370	油泵盖	Oil Pump Cover	1	1	1
3	380840467-T370	密封圈	Seal Ring, Oil Pump	1	1	1
4	150060027-T370	外转子	Rotor, Outer	1	1	1
5	150050028-T370	内转子	Rotor, Inner	1	1	1
6	150010050-T370	机油泵部件	Pump, Oil	1	1	1
7	380650337-T110	油封 $\phi 35 \times \phi 52 \times 7$	Oil Seal, $\phi 35 \times \phi 52 \times 7$	1	1	1
8	380140447-T370	六角头法兰面螺栓	Bol t, Flange M8×40	10	10	10
9	380600123-T370	定位销 $\phi 10 \times 12$	Pin, Dowel $\phi 10 \times 12$	2	2	2
10	150570003-T370	机油回油块	Rubber, oil deflector	1	1	1
11	150350023-T390	机油精滤器组合	OIL FILTER ASSY	1	1	1
12	171750004-T110	调速齿轮部件	Governor Assy	1	1	1
13	150290012-T370	机油滤网	Oil Strainer	1	1	1
14	120530002-T370	油道压板	Oil Baffle Plate	1	1	1
15	150340008-T370	机油滤网盖	Cover, Oil Strainer	1	1	1



曲轴箱盖 (Crankshaft Cover)

序号 No.	零部件图号 Part No.	零部件名称	Description	数量 (Reqd. QTY)		
				1P88F-1	1P90F-1	1P92F-1
16	380140103-0004	六角头法兰面螺栓	Bolt, Flange F6×25	1	1	1
17	380630141-0002	深沟球轴承6207	Eddp Groove Ball Bearing	1	1	1
18	110690047-T381	机油尺部件	Cap Assy	1	1	1
19	380840762-T381	密封圈	O-Ring	1	1	1
20	110710011-T381	加油管	Extension	1	1	1
21	380840738-T390	密封圈	O-Ring	1	1	1
22	110700063-T381	机油尺	Oil Filler Cap	1	1	1
23	380140100-0003	六角头法兰面螺栓	Bolt, Flange M6×35	1	1	1
24	110260026-T370	密封螺塞	Drain Bolt 3/8-18 Nptf	1	1	1
25	110820059-T381	曲轴箱盖	Cover, Breather Side	1	1	1
	110820060-T381	曲轴箱盖 (不带机油精滤器状态)	Cover, Breather Side	1	1	1
26	110710005-T381	加油管	Extension	1	1	1
27	110690048-T381	机油尺部件	Cap Assy	1	1	1



曲轴箱体 (Crankcase)

序号 No.	零部件图号 Part No.	零部件名称	Description	数量 (Reqd. QTY)		
				1P88F-1	1P90F-1	1P92F-1
1	380740462-T370	通气管	Tube, Breather	1	1	1
2	381350004-T040	销夹	Pin, Lock	1	1	1
3	380650339-T110	油封 $\phi 8 \times \phi 14 \times 4$	Oil Seal	1	1	1
4	380450559-T370	平垫圈 $8 \times 16 \times 0.5$	Washer	1	1	1
5	171630008-T370	调速臂	Shaft, Governor Arm	1	1	1
6	110830037-T381	曲轴箱盖密封垫	Packing, Case Cover	1	1	1
7	380630141-0002	深沟球轴承6207	Eddp Groove Ball Beaeing	1	1	1
8	380840443-T370	密封圈 12×2.5	O-Ring 12×2.5	1	1	1
9	140250006-T370	簧片阀	Reed Valve	1	1	1
10	380140067-0003	六角头法兰面螺栓	Bol t, Flange M6 \times 12	3	3	3
11	110850004-T370	呼吸槽密封垫	Packing, Breather Chamber	1	1	1
12	110840005-T370	呼吸槽盖板	Cap, Breather Chamber	1	1	1
13	380630026-0001	深沟球轴承16003	Eddp Groove Ball Beaeing	2	2	2
14	380650337-T110	油封 $\phi 35 \times \phi 52 \times 7$	Oil Seal, $\phi 35 \times \phi 52 \times 7$	1	1	1
15	380140209-0001	六角头法兰面螺栓	Bol t, Flange M6 \times 14	1	1	1



隆鑫通用动力股份有限公司

Loncin motor co., Ltd.

详细地址：重庆市九龙坡区九龙工业园区华龙大道99号

Add:No.99Hualong Road,Jiulongpo District,Chongqing,China

Tel:86 23 8980 5678/86 23 8980 8505

Fax:86 23 8906 7566

Email:service@loncinengine.com

Website:www.loncinengine.com

PRINTED IN CHINA