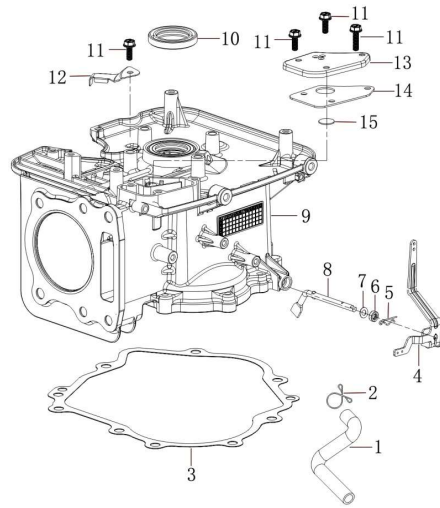


气缸头 (CYLINDER HEAD)

序号	零部件图号	零部件名称	Description	规格状态	数量	易损属性
No.	Part No.				Reqd. QTY	CONSUMABLE GRADE
1	380140103-0004	六角头法兰面螺栓	Hexagon bolt with flange	GB/T 5789_M6_L=25; 镀蓝白锌Q16	4	C
2	120230137-0001	气缸头盖	Cylinder head cover	T440_铝合金;	1	C
3	120250051-0001	气缸头盖密封垫	Gasket for cylinder head cover	T440_interface(N-8092);	1	A
4	380140454-0002	六角头法兰面螺栓	Hexagon bolt with flange	T440_M10×1.25_L=65_缸头连接螺栓	6	C
5	120080566-0001	气缸头	Cylinder head	T440;	1	B
6	120150251-0001	气缸头密封垫	Gasket for cylinder head	T440_石墨_B款;	1	A
7	380600116-0001	定位销	Location pin	T110_d=12_L=20;	2	C
8	270960028-0002	火花塞	Spark plug	RC12YC;Cr3+钝化	1	A
9	180650074-0001	排气口密封垫	Outlet gasket	T370_石墨;	1	A
10	380180131-0001	双头螺栓	Stud	T180_M6/8_L=130; 镀蓝白锌Q16	2	C
11	160190119-0001	空气导流罩	air deflector	T441; 镀蓝白锌Q16	1	C
12	180590307-0001	排气管	Outlet pipe	T441_直管;	1	B
13	380190168-0001	内六角螺钉	Socket head screw	T381_5/16-18UNC_L=22; 镀蓝白锌Q16	2	C
14	380140339-0001	六角头法兰面螺栓	Hexagon bolt with flange	T320_M8_L=50; 镀蓝白锌Q16	1	C
15	380451128-0001	平垫圈	Flat washer	T440_内径10.5_外径22_厚度2.5; 氧	1	C



曲轴箱 (CRANKCASE)

序号 No.	零部件图号 Part No.	零部件名称	Description	规格状态	数量 Reqd. QTY	易损属性 CONSUMABLE GRADE
1	380741124-0002	通气管	Breather tube	T440_异型_丙烯酸脂_废气管;满足ROHS要求	1	A
2	380950402-0001	管夹	Pipe clip	T440_通气管;	1	A
3	110830060-0001	曲轴箱盖密封垫	Crankcase cover gasket	T440;	1	A
4	171620035-0003	调速支架	Speed regulating bracket	T440;带方头平端紧定螺钉/六角法兰面螺母_不带防	1	C
5	381350004-0001	销夹	Pin clip	T040_调速臂用;	1	A
6	380650338-0001	油封	Oil seal	T320_d=6_D=11_b=4;	1	B
7	380450527-0001	平垫圈	Flat washer	T05K_T21_内径6_外径13_厚度1_65Mn;氧化Q07	1	C
8	171630010-0002	调速臂	Speed regulating arm	T320;表面振动抛光	1	B
9	110810389-0001	曲轴箱体	Crankcase body	T440_机油尺安装孔为通孔_B款;	1	B
10	380650337-0001	油封	Oil seal	T110_d=35_D=52_b=7;含Hg/Cr6/Pb/PBB/PBDE≤100	1	B
11	380140013-0005	六角头法兰面螺栓	Hexagon bolt with flange	GB/T 5789_M6_L=16;镀蓝白锌Q16	4	C
12	110480029-0001	压线板	Pressing plate	T440;镀蓝白锌Q16	1	C
13	110840029-0001	呼吸槽盖板	CAP, BREATHER CHAMBER	T440;镀蓝白锌 Q16	1	C
14	110850020-0001	呼吸槽密封垫	PACKING, BREATHER CHAMBER	T440_无石棉软木橡胶板;	1	A
15	110860006-0001	呼吸片	Breath fin	T440;	1	A