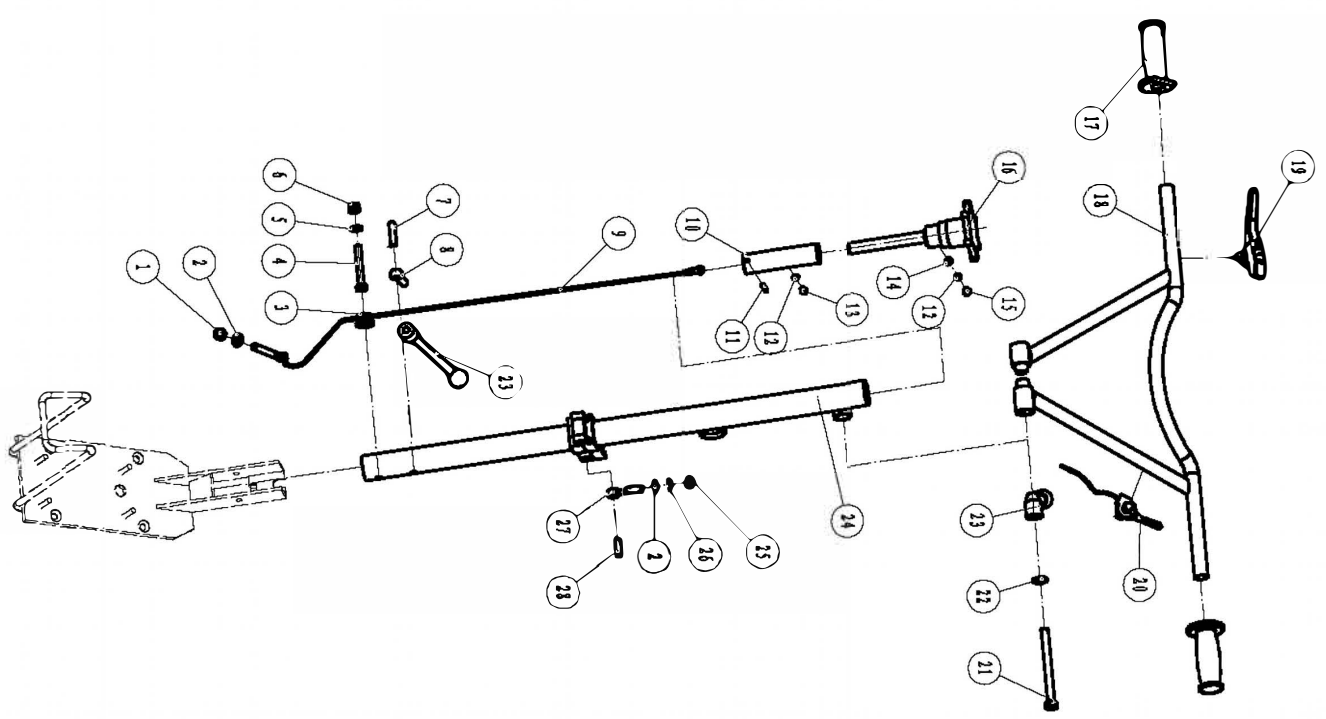




# PARTS MANUAL EDGING POWER TROWEL MT24





A

B

借通/零件登记

描 图

校 核

图底图总号

参 字

日 期

MT24-BOM01-A

设计

审核

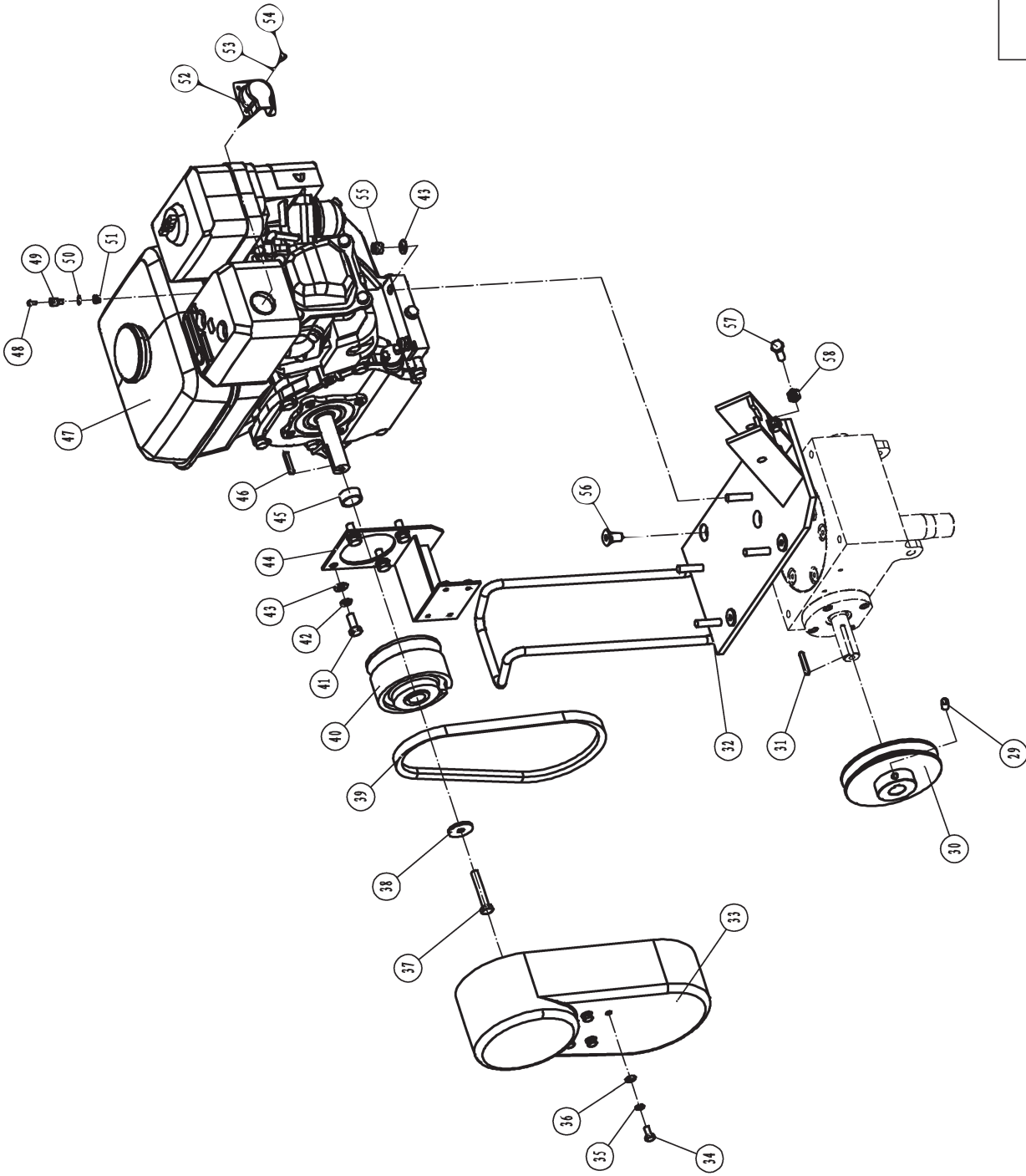
## MT24 PARTS LIST OF OPERATING HANDLE

No. MT24-BOM01-B

ITEM NO.	PART NO.	DESCRIPTION	QTY	REMARK	ERP No.
1	GB889.1-M10	LOCK SCREW Φ10	1		20405006
2	GB97.1-10	FLAT WASHER Φ10	2		20501009
3	MT36-05-03-04	PULLEY	1	BORROWED PARTS	41405019
4	GB5782-M10x70 不锈钢	BOLT M10x70	1		20101058
5	GB97.1-10 不锈钢	WASHER 10	1		20501020
6	GB889.1-M10 不锈钢	LOCK SCREW Φ10	1		20405020
7	GB119-10x40	PIN	1		20801007
8	M12X40	SLING BOTL	1		21302014
9	MT24-02-00-01	#24 WIRE.	1		21399003
10	MT24-02-01	SCREW	1		40706008
11	GB879-5×30	SPING PIN	1		20802104
12	GB93-6	SPRING WASHER	2		20509004
13	GB70.1-M6×8 不锈钢	NUT STAINLESS STEEL	1		20306049
14	GB97.1-6	FLAT WASHER	1		20501005
15	GB5783-M6×12	BOLT	1		20102051
16	MT24.30-02-00-03	TROWEL CONTROL ASSY.	1		54601011
17	MG12-0731	HANDLE SLEEVE	2		41202006
18	MT24-03-04	TRIANGULAR HANDLE	1		40305120
19	MT36-05-06-05W	SAFETY STOP SWITCH ASSY.	1		54601013
	170汽油微耕机熄火开关	ON-OFF SWITCH	1	OPPTIONAL PARTS	41403100
20	MT36.42.46-05-07-01ZJ	TROLLEY CONTROL ASSY.	1	BORROWED PARTS	54601156
21	GB5782-M12x130不锈钢	BOLT M10x130	1		20101115
22	GB97.1-12 不锈钢	WASHER 12 STAINLESS STEEL	1		20501024
23	MT24-03-03-10	HANDLE ROD BALL	2		40101061
24	MT24-03-01	HANDLE LEVER ASSEM. (MT24/30)	1		40408009
25	GB6170-M10	I-TYPE HEXAGON NUT	1		20401005
26	GB93-10	SPRING WASHER	1		20509008
27	M10X50	SLING BOTL M10X50	1		21302016
28	GB879.1-8×30	SPING PIN	1		20802255

A

B





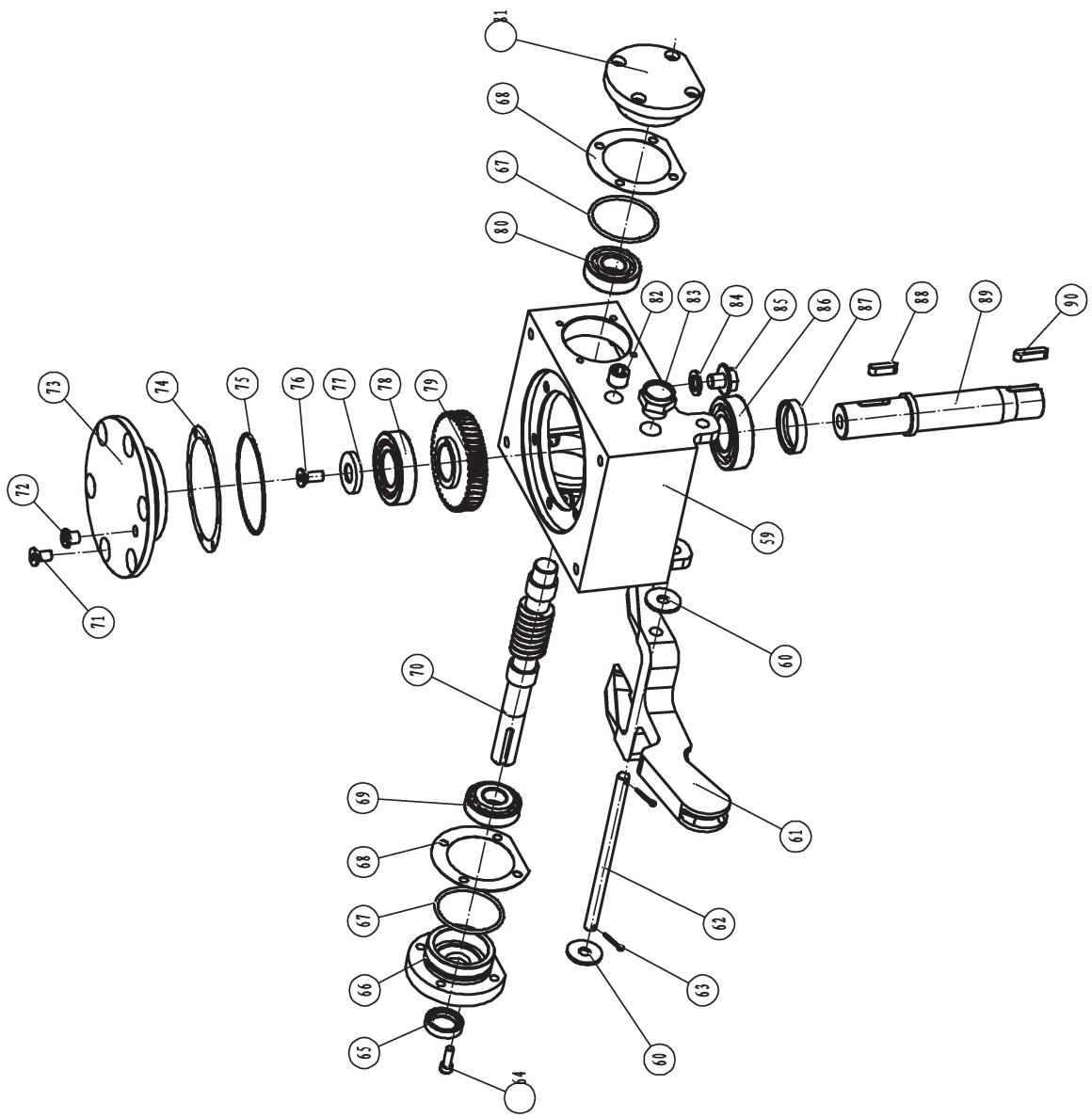
## MT24 PARTS LIST OF ENGINE

No. : MT24-BOM02-B

ITEM NO.	PART NO.	DESCRIPTION	QTY	REMARK	ERP No.
29	GB78-M8x16	HEX HEAD SCREW M8	1		20312009
30	MT24-00-02	BELT PULLEY	1		40607050
31	GB1096-5x30	A KEY	1		20901055
32	MT24-04-00	ENGINE BOTTOM PLATE ASSY.	1		40207272
33	MT24-00-01	BELT COVER	1		40301085
34	GB5783-M6x12	HEX BOLT	4		20102051
35	GB93-6	SPRING WASHER	4		20509004
36	GB97.1-6	FLAT WASHER	4		20501005
37	GB5783-M8x50	HEX BOLT	1	DIAMETER AXLE. Φ 20	20102110
	5/16-24×1/1/4	OUTER HEX COUNTERSUNK SCREW U. S.	1	DIAMETER AXLE. Φ 19.05	99901041
38	Φ 8x Φ 30x3	LARGE WASHER	1		20504011
39	AV585Li	BELT	1		21201159
40	MT24-01-00-A	CLUTCH ASSY. -A	1	DIAMETER AXLE. Φ 20	54601106
	MT24-01-01-B	CLUTCH ASSY. -B	1	DIAMETER AXLE. Φ 19.05	54601107
41	GB5783-M8x20	HEX BOLT	4		20102101
42	GB93-8	SPRING WASHER	4		20509006
43	GB97.1-8	FLAT WASHER	8		20501007
44	MT24-00-04	MOUNTING PLATE, BELT GUARD	1		40204075
45	MT36-06-00-04G	CLUTCH ADJUSTING SLEEVE Φ 20	1	DIAMETER AXLE. Φ 20	40504134
	MT36-06-00-04Y	CLUTCH ADJUSTING SLEEVE Φ 19.05	1	DIAMETER AXLE. Φ 19.05	40504160
46	GB1096-5×5×33	ENGINE KEY	1	DIAMETER AXLE. Φ 20	20901062
	4.78×4.78×38	ENGINE KEY	1	DIAMETER AXLE. Φ 19.05	20901257
47	GX160H1-SX	HONDA GX160H1-SX	1	DIAMETER AXLE. Φ 20	41401013
	GX160UT2-SX4	HONDA GX160UT2-SX4	1		41401001
	EX17	ROBIN EX17	1		41401024
	GX160H1-QX	HONDA GX160H1-QX	1	DIAMETER AXLE. Φ 19.05	41401014
	GX160UT2-QX4	HONDA GX160UT2-QX4	1		41401002
	G200F	LONCIN G200F	1		41401042
48	GB818-M3x8 不锈钢	CROSS RECESS HEAD SCREW	1		20301010
49	MT36-05-07-02	BOLT	1	BORROWED PARTS	40203310
50	GB97.1-5 不锈钢	FLAT WASHER	1		20501021
51	GB889.1-M5 不锈钢	LOCK SCREW	1		20405021
52	MT36-11-04-01	GUIDE COVER	1	BORROWED PARTS	40204074
53	GB93-4	SPRING WASHER	2		20509001
54	GB818-M4x8	CROSS RECESS HEAD SCREW	2		20301001
55	GB889.1-M8	LOCK SCREW	4		20405004
56	GB70.3-M10x20 发黑	SUNK SCREW	4		20308147
57	GB5782-M8×30 不锈钢	BOLT M8x30	1		20101022
58	GB6170-M8	I-TYPE HEX NUT	1		20401004

A

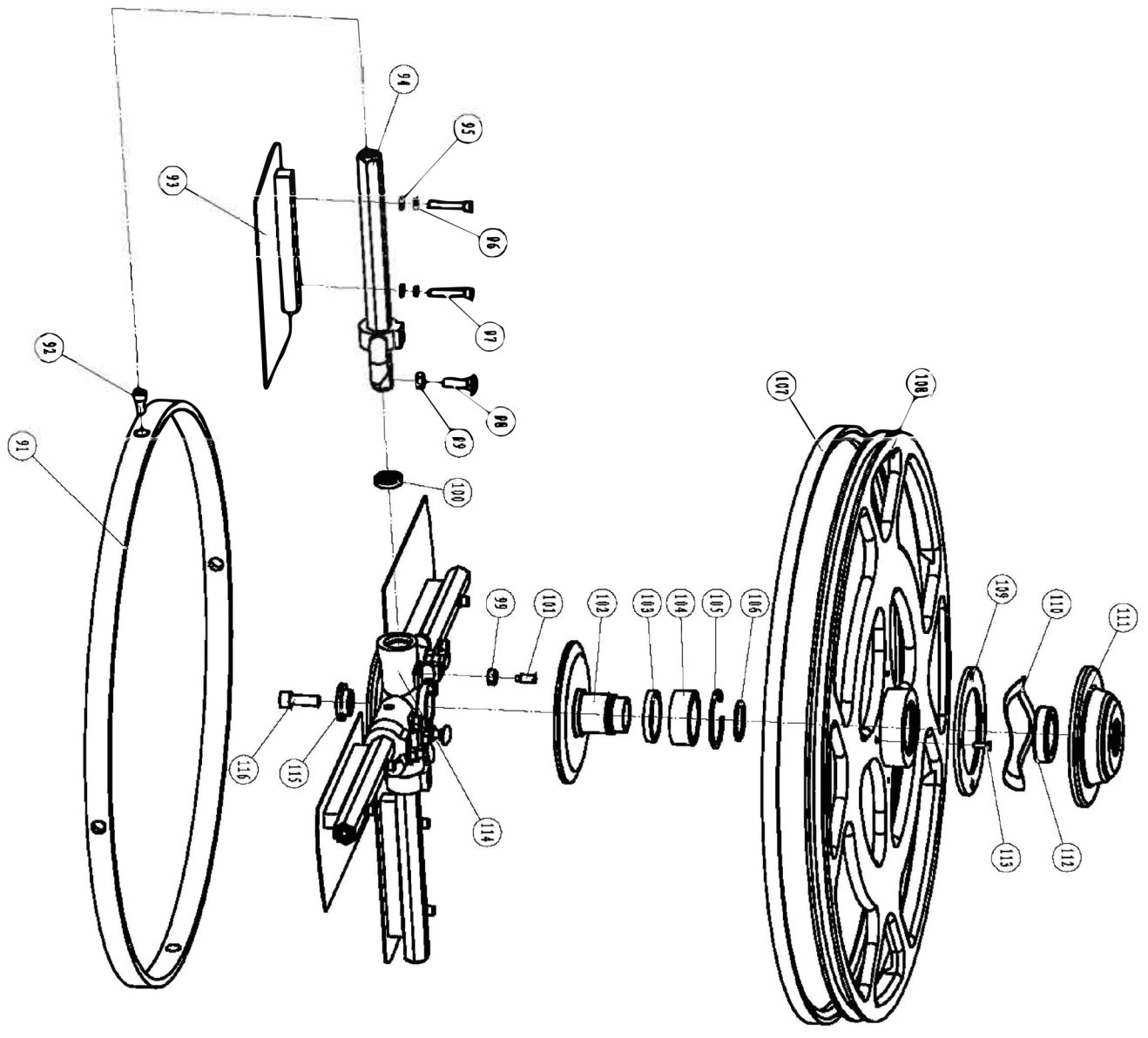
B




## MT24 PARTS LIST OF REDUCING MECHANIS

No. : MT24-BOM03-A

ITEMS NO.	PART NO.	DESCRIPTION	QTY	REMARK	ERP No.
59	MT24-05-01	GEAR BOX	1		40901048
60	GB96.1-10	LARGE WASHER	2		20504005
61	MT36-05-05-01	FORK	1	BORROWED PARTS	40101059
62	MT24-05-06	FORK PIN	1		40102026
63	GB91-2.5x16	PIN STAINLESS STEEL	2		20805005
64	GB70.1-M6x18 发黑	SOCKET CAP SCREW	8		20306047
65	GB13871-TC20x32x7	O-RING	1		21106038
66	MT24-05-11	COVER	1		40503040
67	GB3452.1-45x3	O-TYPE SEAL RING	2		21101023
68	MT24-05-08	ADJUSTMENT WASHER (SMALL CAP)	2		40504150
69	GB297-30204	TAPERED ROLLER BEARING	1		21007007
70	MT24-05-10-B	WORM	1		40405010
71	GB70.3-M8x16	SUNK SCREW	6		20308110
72	MT36-03-00-11	VENTILATING VALVE	1	BORROWED PARTS	40402068
73	MT24-05-03	TOP COVER	1		40503039
74	MT24-05-02	ADJUSTMENT WASHER (BIG CAP)	1		40504142
75	GB3452.1-130x3	O-TYPE SEAL RING	1		21101019
76	GB70.3-M8x20 发黑	HEX SUNK SCREW	1		20308111
77	MT24-05-04	TURBO WASHER	1		40605003
78	GB297-30206	TAPERED ROLLER BEARING	1		21007006
79	MT24-05-05-B	WORM GEAR	1		40605004
80	GB276-6204-2RS	BEARING 6204	1		21001089
81	MT24-05-09	COVER	1		41201137
82	ZG3/8	HEXAGONAL HEAD PLUG	1		40505070
83	GB1160.2-M20X1.5	OIL GAUGE-GLASS	1		21110008
84	JB1002-12	COPPER PAD	1		21105007
85	JB1000-M12x1.25	OUTER HEXAGONAL PLUG	1		21103006
86	GB276-6206-2RS	BEARING 6206	1		21001060
87	GB13871-TC30x45x7	O-RING	1		21106041
88	GB1096-8x25	A KEY	1		20901154
89	MT24-05-07-B	WORM SHAFT	1		40605009
90	GB1096-8x30	A KEY	1		20901163



B

A

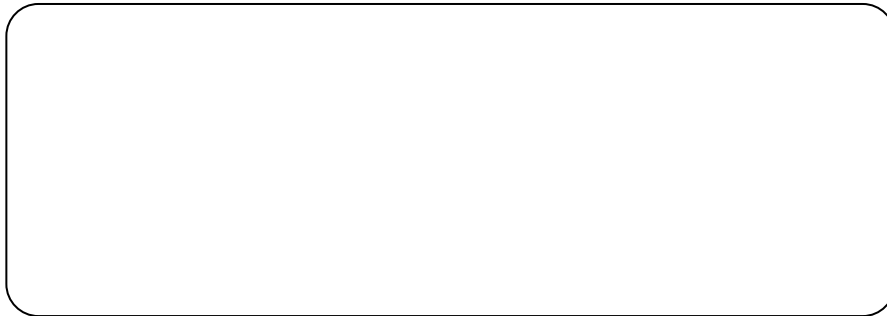

## MT24 PARTS LIST OF SPIDER

No. : MT24-BOM04-B

ITEM NO.	PART NO.	DESCRIPTION	QTY	REMARK	ERP No.
91	MT24-06-09	OUTER RING	1		40507021
92	GB70. 1-M8x16	INNER HEX SCREW M8X16	4		20306101
93	MT24-06-08	COMBINATION BALDE 4.75X9	1	1 unit/ 4pcs	40302077
94	MT24-06-PWT	TROWEL ARM EXTENDED	4		40101081
95	1/4-20UNCx38	SCREW U. S.	8		20109023
96	GB93-6	SPRING WASHER	8		20509004
97	GB97. 1-6	FLAT WASHER	8		20501005
98	GB14-M8x30	BOLT M8X30	4		20110021
99	GB6170-M8	I TYPE NUT M8	8		20401004
100	DHS20×28×5	OIL SEAL	4		40501039
101	MT24-04-00-06	BOLT	4		40302078
102	MT24-06-02	BALDE PRESS PLATE	1		40503037
103	GB276-6808-2RS	BEARING 6808	1		21001081
104	NK40-20	BEARING	1		21012018
105	GB893. 1-55	ELASTIC COOLAR FOR HOLE	1		20602017
106	GB895. 2-40	WIRE COLLAR FOR SHAFT	1		20605004
107	B1854Li	ALUMINUM RING BELT#24	1		21201160
108	MT24-06-05-A	ALUMINUM RING	1		40504044
	MT24-06-05-ZX	ALUMINUM RING	1	NEUTRAL	40305139
109	MT24-06-03	FLANGE PAN	1		40501038
110	MT30-06-10	WAVE WASHER	1		20511009
111	MT24-06-01	BEARING PLATE	1		40503038
112	MT24-70106	CUSTOMIZATION BEARING	1		21012013
113	GB819-M5x16	CROSS SUNK SCREW	4		20302001
114	MT24-06-04	SPIDER #24	1		40302076
115	MT24-05-12	SPIDER WASHER	1		40504149
116	GB70. 1-M10x30 10. 9GRADE	SOCKET CAP SCREW	1		20306163



***Distributed By***



**Manufacturer:**

Carlow Hire & Sales Ltd,  
T/A Doyle's Importers & Distributors  
Shamrock Commercial Park, Dublin Road,  
Castlecomer, County Kilkenny. Ireland  
Tel: +353 564441988 Fax:+353 564441978

Website: [www.doyles.ie](http://www.doyles.ie)