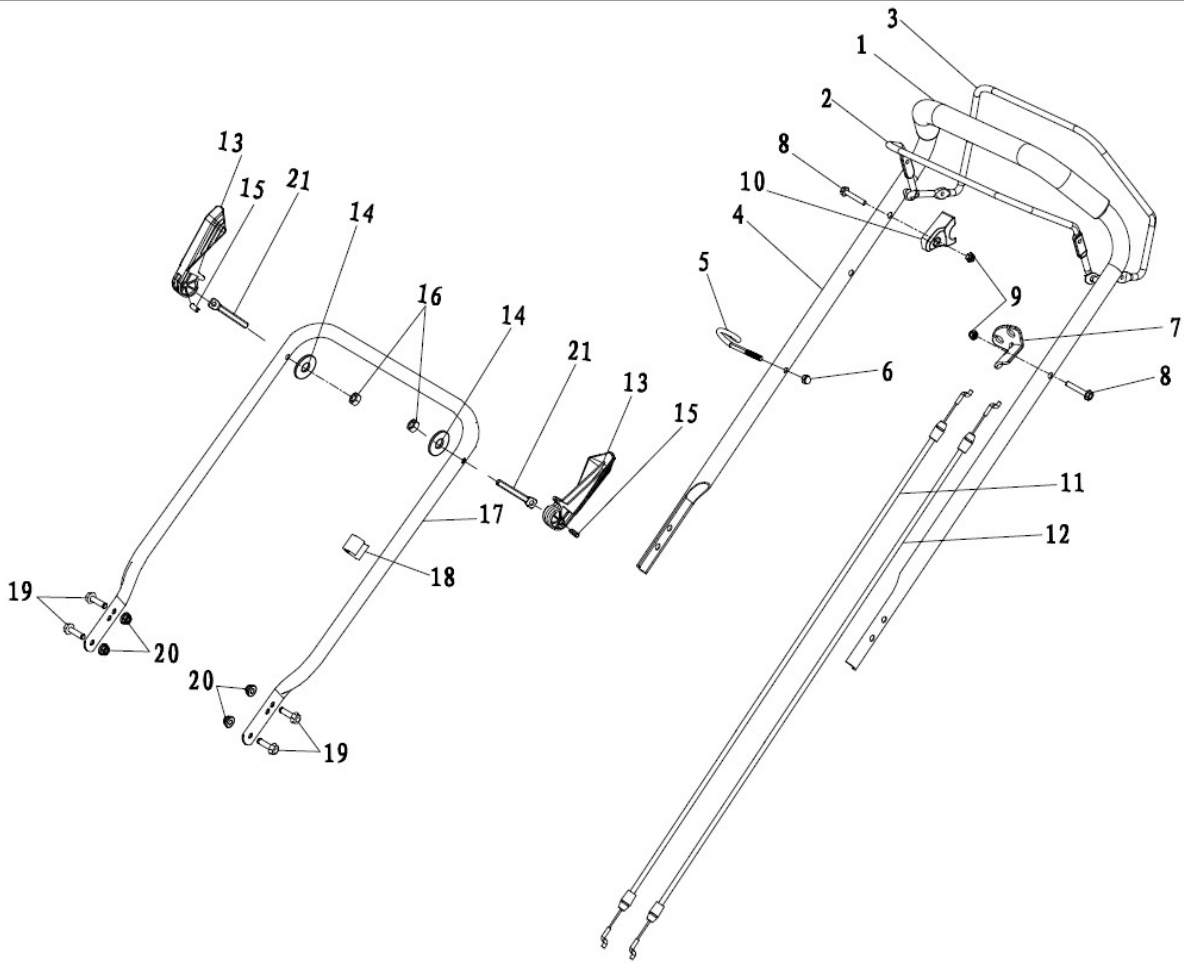


554620-1

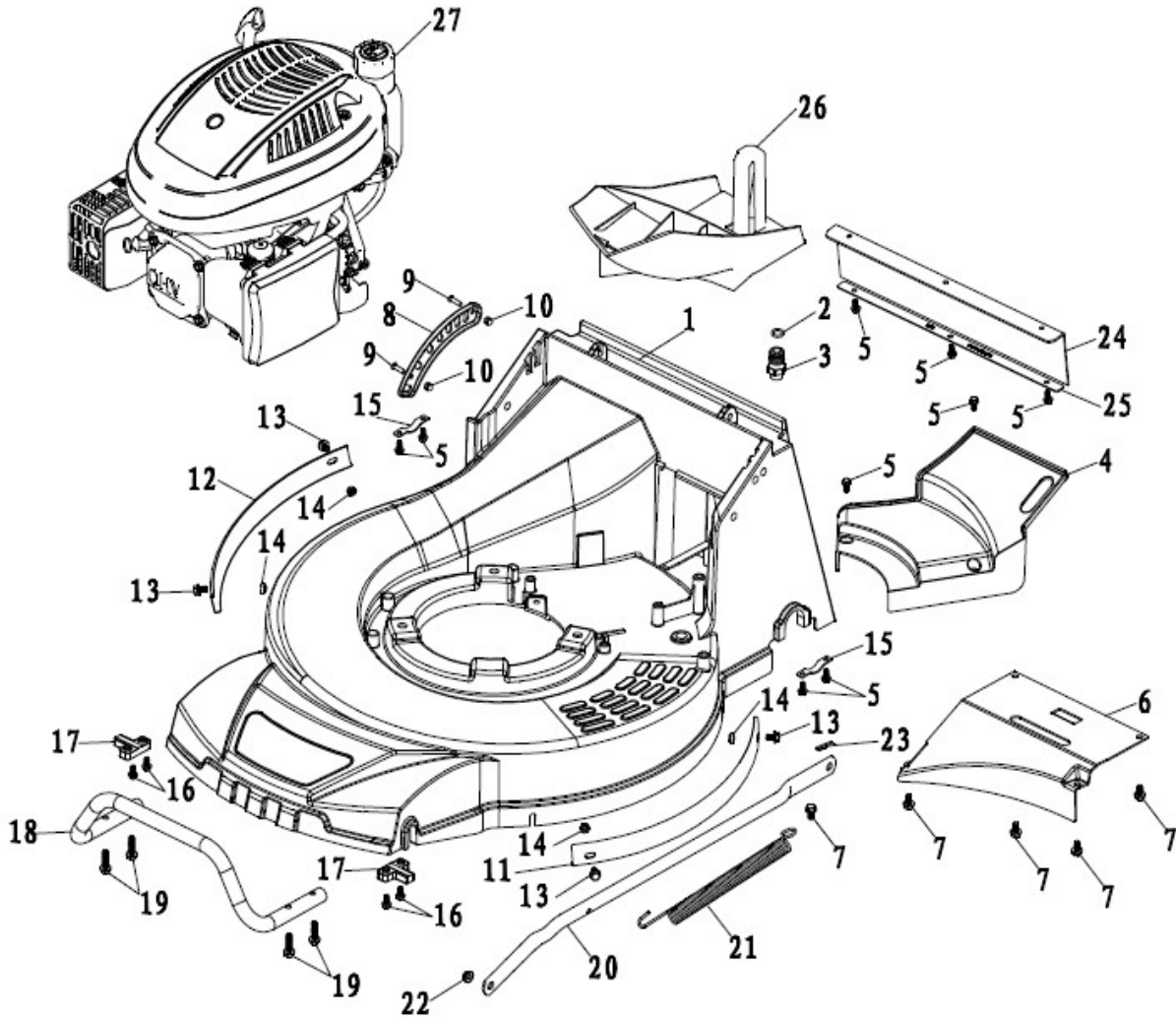
AL480VH-BS675EX



序号	物料号	英文名称	数量
1	20340060130	foam pipe	1
2	70540083130	stop lever	1
3	70550100130	Self-propelled Lever	1
4	70500232130	upper handrail	1
5	70230090000	Rope Guide	1
6	60130020000	Cap nut	1
7	70050120000	Brake Cable Assy plate	1
8	60060590000	Bolt	2
9	60150080000	Self-locking nut	2
10	20030030000	Plastic stopper	1
11	70810030000	brake cable	1
12	70780080000	selfpropelled cable	1
13	20580030059	quick fix knob	2
14	60200040000	lock for fast fix handle	2
15	60250220000	Pin	2
16	60150090000	lock nut	2
17	70520210130	lower handrail	1
18	20240020000	fastener	1
19	60060150000	Bolt	4
20	60150020000	Hex lock nut	4
21	70220020000	Quick Fix Handle	2

554620-2

AL480VH-BS675EX

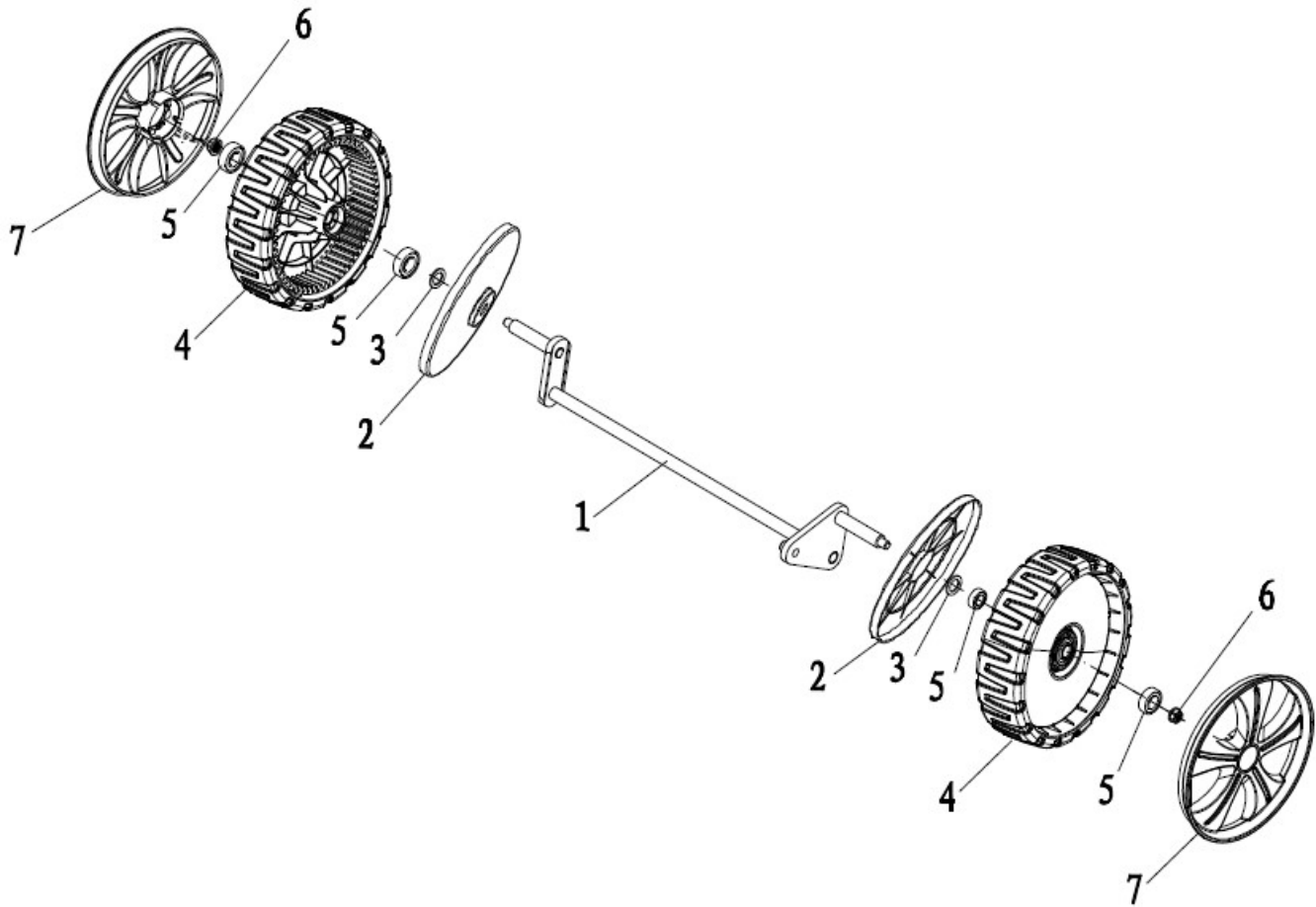


序号	物料号	英文名称	数量
1	70740090590	19"aluminum chassis	1
2	60370020000	"O" ring	1
3	20460010000	inlet	1
4	20660060000	belt cover	1
5	60060290000	Hex Flange Face Bolt	9
6	70280010000	rear baseplate	1
7	60060520000	Hex Flange Face Bolt	5
8	70250030000	B type Height Adjuster Board	1
9	60170350000	cheese head crew with cross recess M5x18-H type	2
10	60130010000	cap nut	2
11	70160020130	left decoration board for chassis	1
12	70160010130	right decoration board for chassis	1
13	60060510000	Hex Flange Face Bolt	4
14	60150080000	Self-locking nut	4
15	70290040000	pressure plate for rear drive	2
16	60060500000	Hex Flange Face Bolt	4
17	20440030000	pressure plate for front drive	2
18	70450010130	Front bumper (steel pipe)	1

19	60060580000	Hex Flange Face Bolt	4
20	70180100000	Height Adjustment Pull Rod	1
21	60410090000	Pull Spring for Pull Rod	1
22	60150110000	Self-locking nut	1
23	60270010000	spring pin	1
24	20750040000	rubber dust proof board	1
25	70330010000	baseplate for rubber dust shield	1
26	20160100000	mulching plug	1
27	79990140000	petrol engine	1

554620-3

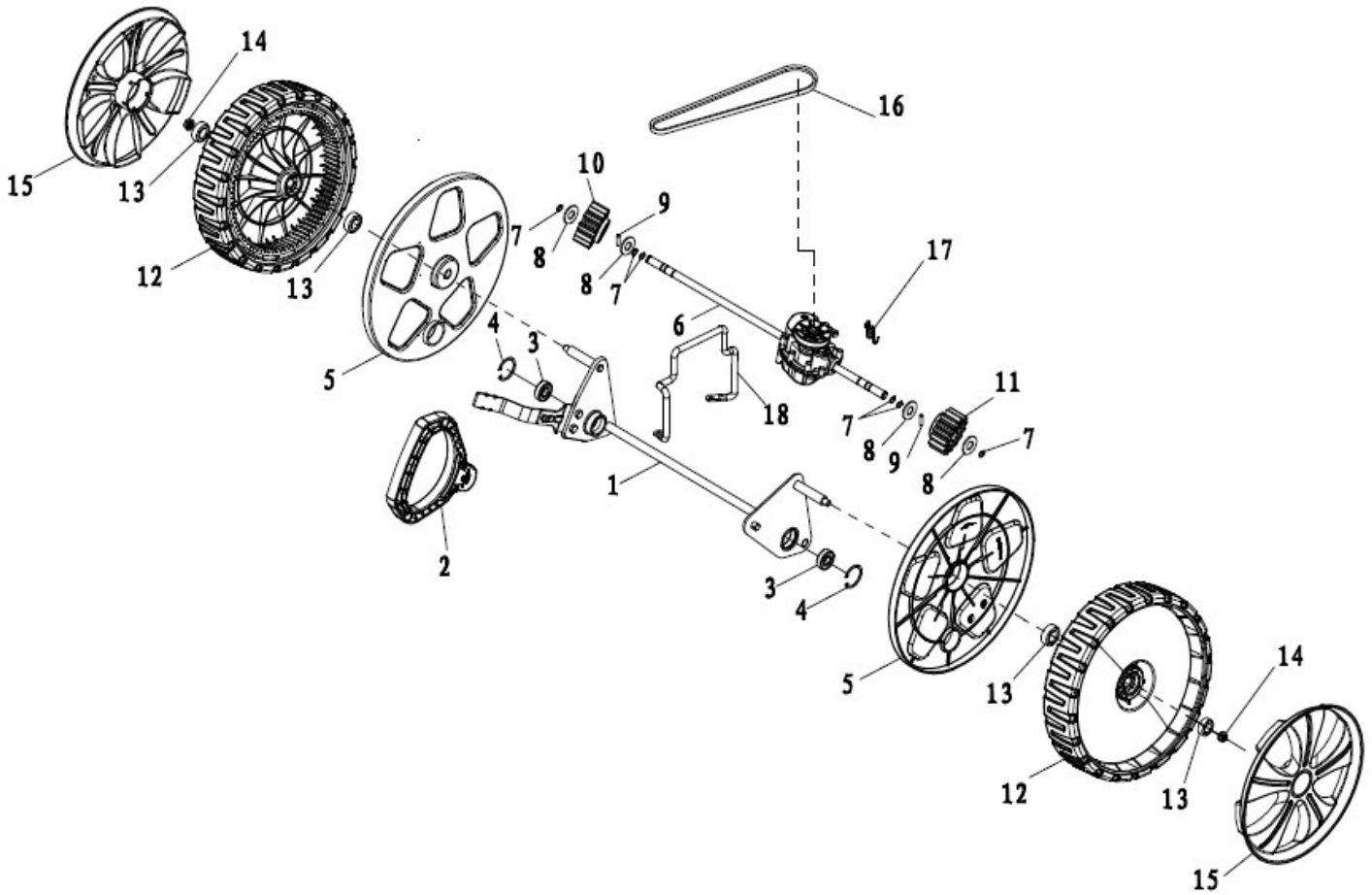
AL480VH-BS675EX



序号	物料号	英文名称	数量
1	70840090000	front drive assy.	1
2	20610070000	inner cover of hub	2
3	60190170000	flat washer	2
4	20880322000	wheel assy.	2
5	60010100000	bearing	4
6	60150090000	Self-locking nut	2
7	20620090059	outer cover of hub	2

554620-4

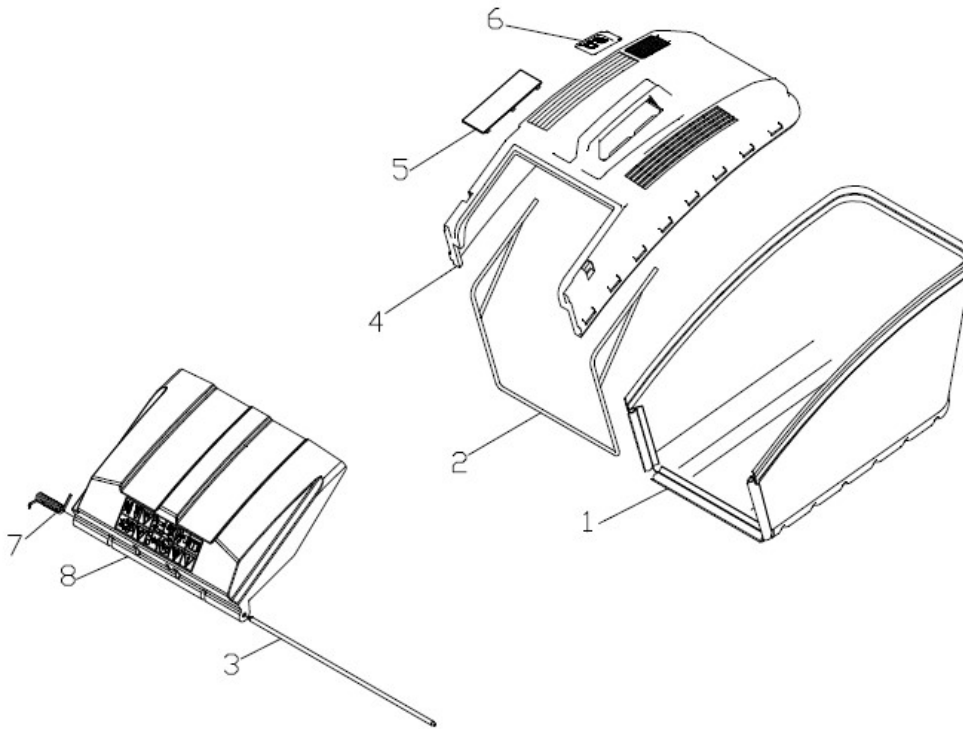
AL480VH-BS675EX



序号	物料号	英文名称	数量
1	70850390000	rear drive assy.	1
2	20260010059	height adjustment ball	1
3	60020010000	bearing	2
4	60240010000	spring washer	2
5	20610060000	inner cover of hub	2
6	70860400000	selfpropelled assy.	1
7	60240060000	spring washer	6
8	21070040000	selfpropelled ratchet washer	4
9	60290070000	bratchet pin	2
10	70300190000	Ratchet Wheel L	1
11	70300200000	Ratchet Wheel R	1
12	20880332000	wheel assy.	2
13	60010100000	bearing	4
14	60150090000	Self-locking nut	2
15	20620100059	outer cover of hub	2
16	60320060000	V belt	1
17	60410180000	selfpropelled spring	1
18	70050230000	Brake spring	1

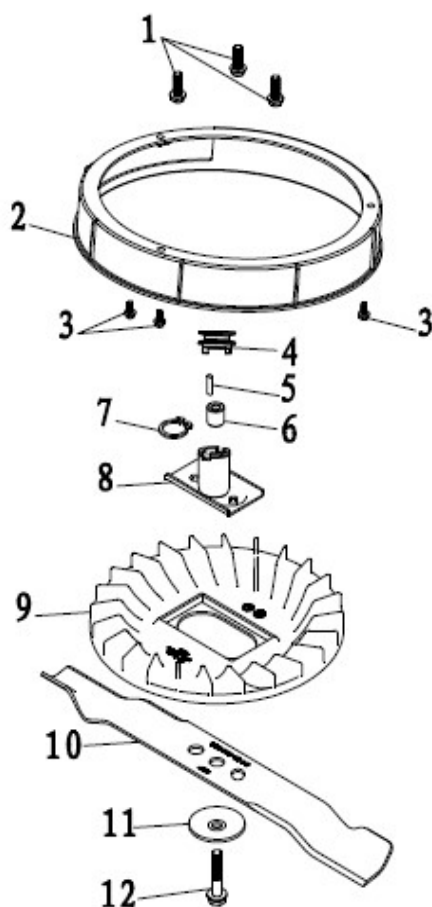
554620-5

AL480VH-BS675EX

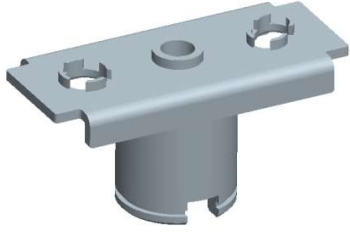






序号	物料号	英文名称	数量
1	20070030014	fabric grass bag	1
2	70020030000	plastic top frame	1
3	70030050000	Shaft for rear discharge cover	1
4	20080030000	top of grass box	1
5	20710010000	handle cover	1
6	20060010000	air-out board of fabric grass bag cover	1
7	60380140000	cover spring	1
8	20380050000	rear discharge cover	1




	<b>554620-6</b>	
	<b>AL480VH-BS675EX</b>	



序号	物料号	零件名称	英文名称	数量
1	60170010000	六角华司头自攻螺钉3/8-16X1ST(黑色)3/8-16X1ST	Hexagon China Division Head self tapping screws	3
2	20410020000	挡风罩	rear baffle cover	1
3	60060520000	六角法兰面螺栓 M6X12	Hex Flange Face Bolt	3
4	70580020000	BS小带轮	Small Belt Wheel	1
5	70480020000	曲轴长键20mm	Long Key for Crankshaft	1
6	70150100000	刀座衬套18MM	Washer for Blade Adapter	1
7	60240070000	轴用弹性挡圈Φ35	spring washer	1
8	70140250000	AL480刀座	Blade Adapter Assy	1
9	20220020000	刀座风扇	Blade Adapter & fan	1
10	70131170000	AL480刀片	blade	1
11	70040070000	刀片大垫片	blade washer	1
12	60100030000	刀片螺栓 20Cr/50mm	Inch hex flange bolts	1

爆炸图编号:		554620	日期:	2015.11.2
产品型号:		80VH-BS67	客户: (由外贸部编写)	
产品名称:		易损件	备注:	
序号	物料号	英文名称	三维效果图	
1	70140250000	Blade Adapter Assy		
2	70131170000	blade		
3	20880332000	wheel assy.		
4	20620100059	outer cover of hub		
5	20880322000	wheel assy.		



6	20620090059	outer cover of hub	
7	60010100000	bearing	
8	60320060000	v belt	
9	20750040000	rubber dust proof board	