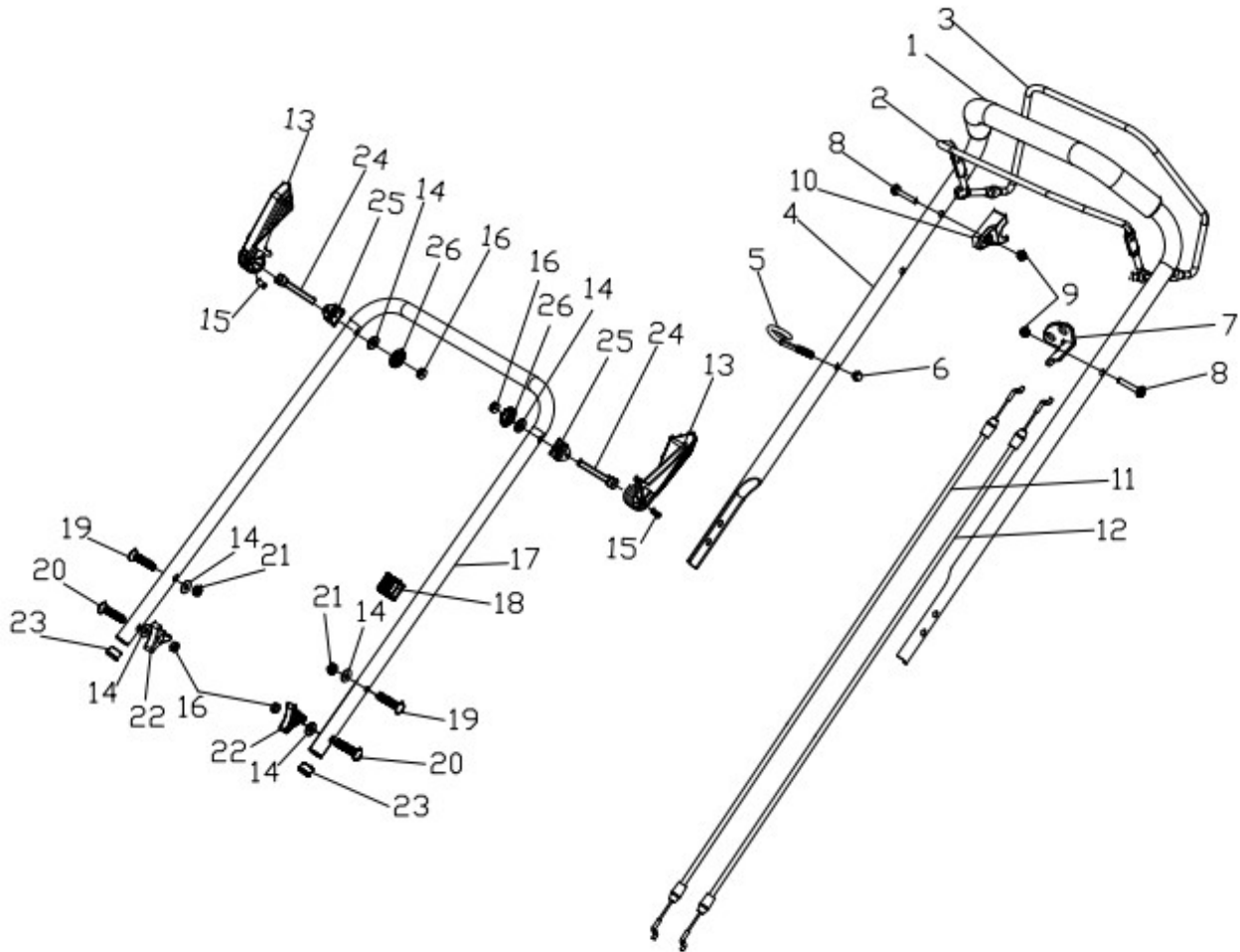


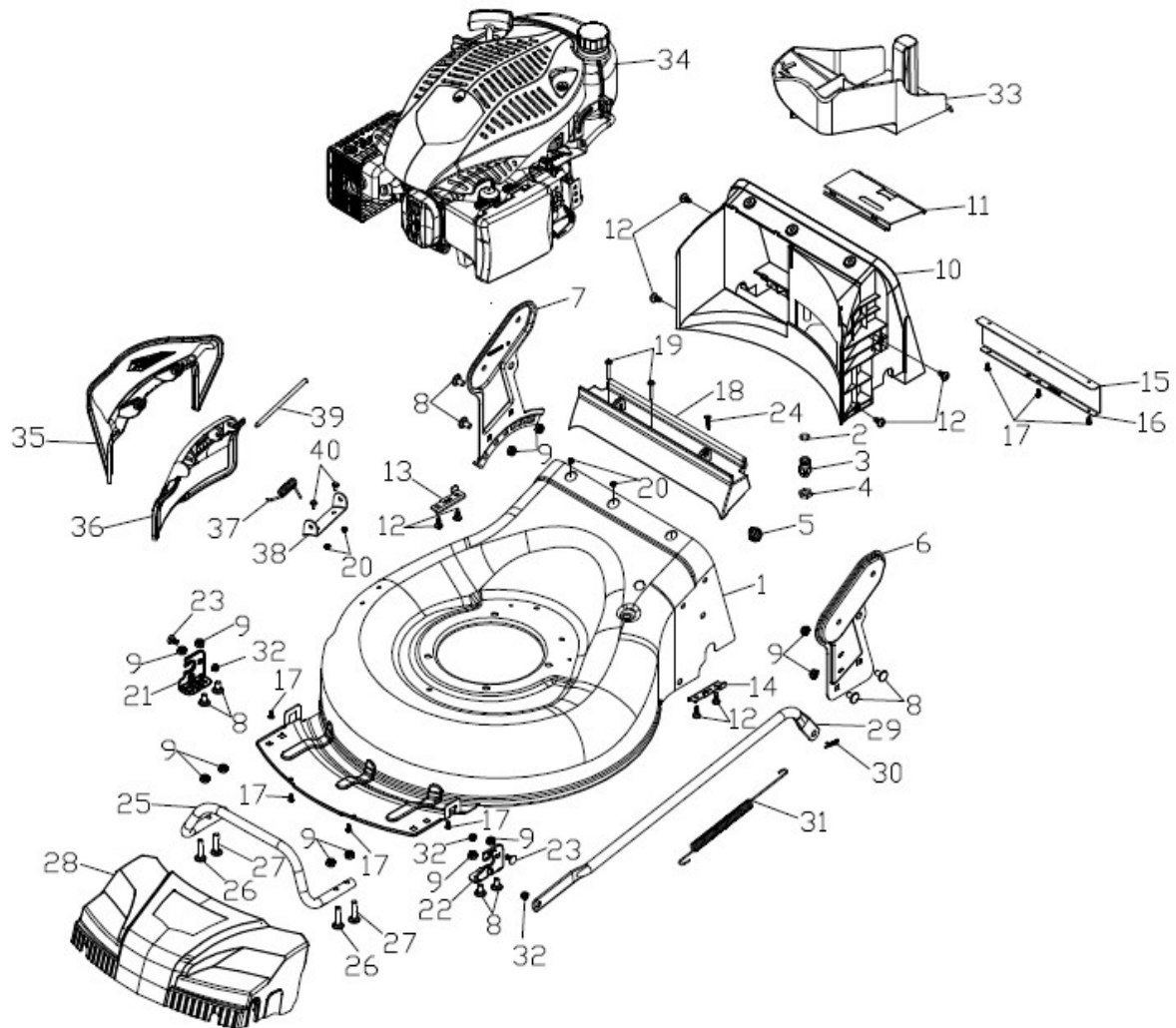
<b>Drawing No.:</b>		<b>455941-1</b>
<b>Product model :</b>		<b>S530VHY-W</b>
<b>Component name :</b>		<b>Handle</b>



序号	物料号	英文名称	数量
1	20340060130	foam pipe	1
2	70540083130	stop lever	1
3	70550073060	Self-propelled Lever	1
4	70500232130	upper handrail	1
5	70230090000	Rope Guide	1
6	60130020000	Cap nut	1
7	70050120000	Brake Cable Assy plate	1
8	60060590000	Bolt	2
9	60150080000	Self-locking nut	2
10	20030030000	Plastic stopper	1
11	70810040000	brake cable	1
12	70780080000	selfpropelled cable	1
13	20580020060	quick fix knob	2
14	60190140000	flat washer	6
15	60250080000	Pin	2
16	60140080000	Hexagon nut	4
17	70520220130	lower handrail	1

18	20240010000	fastener	2
19	60040140000	Half round head square neck bolts	2
20	60110030000	heterotypic carriage bolts	2
21	60150020000	Hex lock nut	2
22	20040050060	triangle knob	2
23	20350010000	handrail stopper	2
24	70220020000	Quick Fix Handle	2
25	70050180000	lock for fast fix handle	2
26	20720010060	lock nut	2

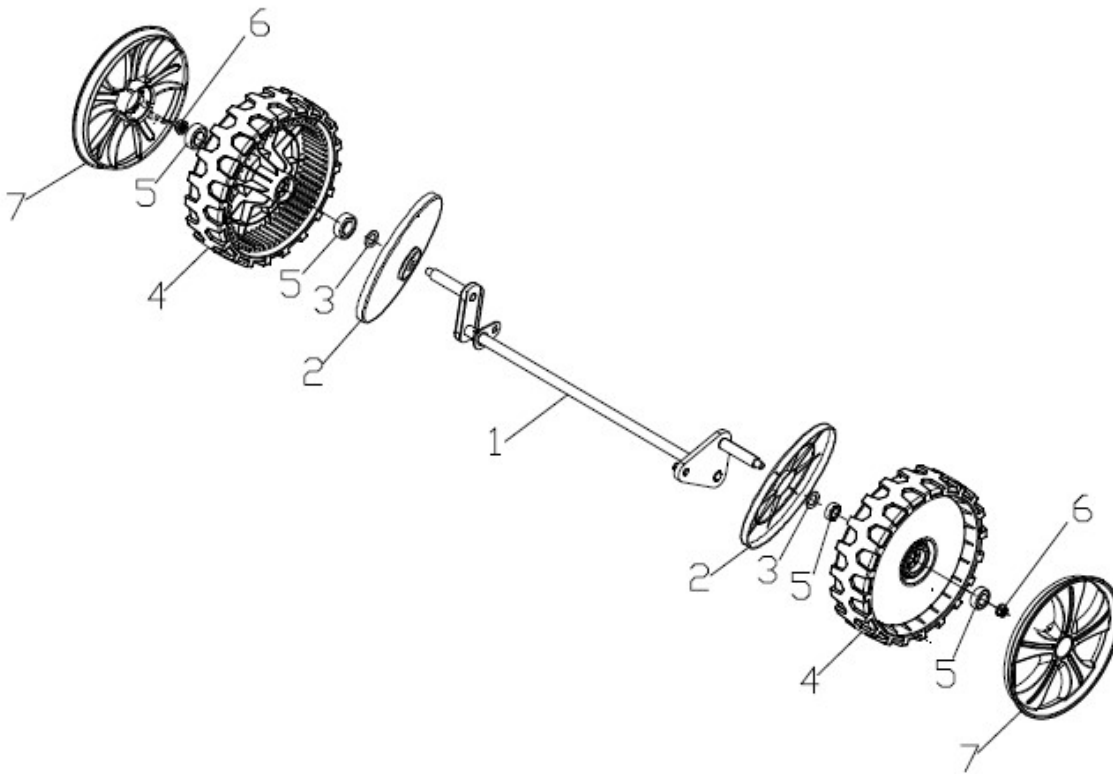
<b>Drawing No.:</b>		<b>455941-2</b>
<b>Product model :</b>		<b>S530VHY-W</b>
<b>Component name :</b>		<b>Engine &amp;deck</b>



序号	物料号	英文名称	数量
1	70740310130	deck welding assy.	1
2	60370020000	"O" ring	1
3	20460010000	inlet	1
4	60160010000	Pipe connector nut	1
5	20590020000	cable stopper	1
6	70070110000	left handle bracket	1
7	70070050000	right handle bracket	1
8	60040100000	Half round head square neck bolts	8
9	60150020000	Hex lock nut	12
10	20400060000	rear baffer	1
11	70270010000	Rear Baffle	1
12	60170290000	Phillips flat head self tapping screw	8
13	70290050000	rear drive right bracket	1
14	70290070000	rear drive left bracket	1
15	20750040000	rubber dust proof board	1

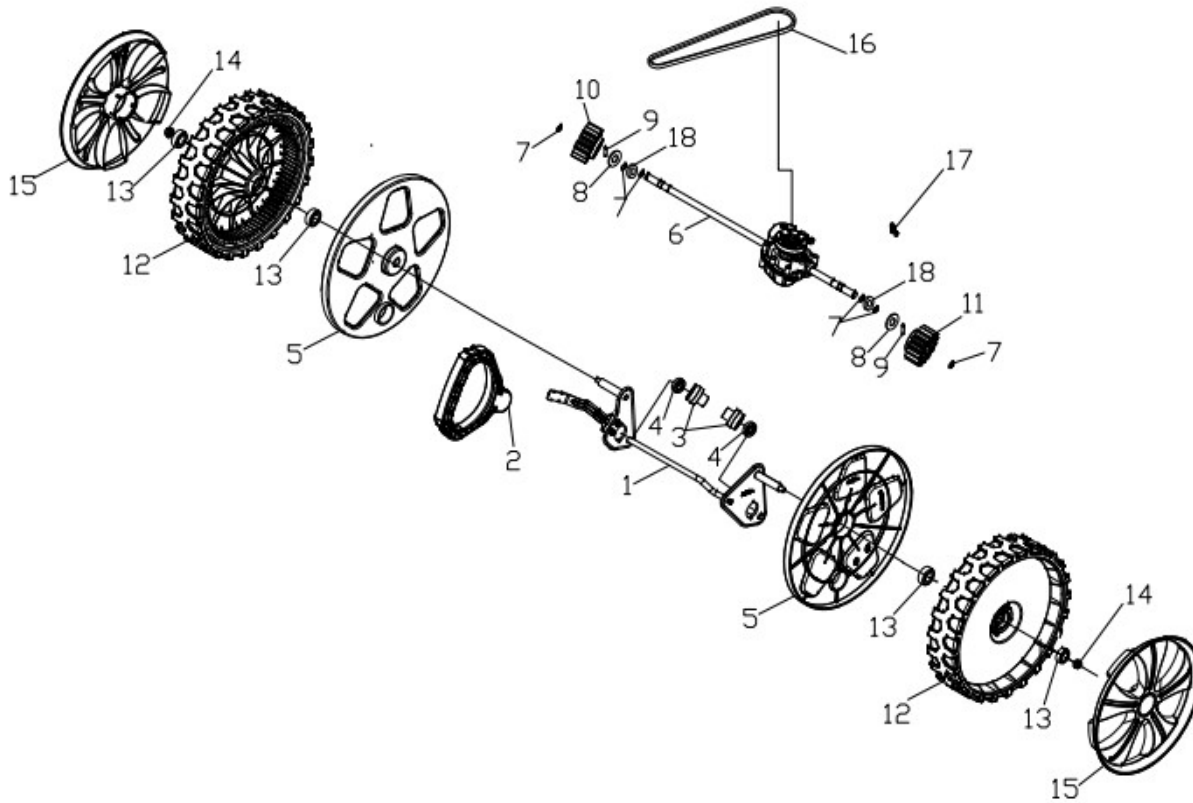
16	70330010000	baseplate for rubber dust shield	1
17	60170300000	Phillips flat head self tapping screw	7
18	20390010000	rear discharge base	1
19	60060070000	Bolt	2
20	60150060000	Self-locking nut	4
21	70470010000	right pedestal for front drive	1
22	70470020000	left pedestal for front drive	1
23	60040030000	Half round head square neck bolts	2
24	60170450000	Cross recessed countersunk head tapping screws	1
25	70450030140	front bumper	1
26	60040150000	Half round head square neck bolts	2
27	60040090000	Half round head square neck bolts	2
28	20200040000	deck front mask	1
29	70180260130	Height Adjustment Pull Rod	1
30	60270010000	spring pin	1
31	60410080000	Pull Spring for Pull Rod	1
32	60150110000	Self-locking nut	3
33	20160060000	mulching plug	1
34	19950180000	petrol engine	1
35	20110030000	side discharge cover	1
36	20120030000	mulching board	1
37	60390060000	mulch board spring	1
38	70060030130	Bracket plate for defelctor	1
39	70030060000	Mulch Shaft	1
40	60060040000	Bolt	2

<b>Drawing No.:</b>	<b>455941-3</b>	<b>Date :</b>
<b>Product model :</b>	<b>S530VHY-W</b>	
<b>Component name :</b>	<b>Front drive</b>	<b>Remark :</b>



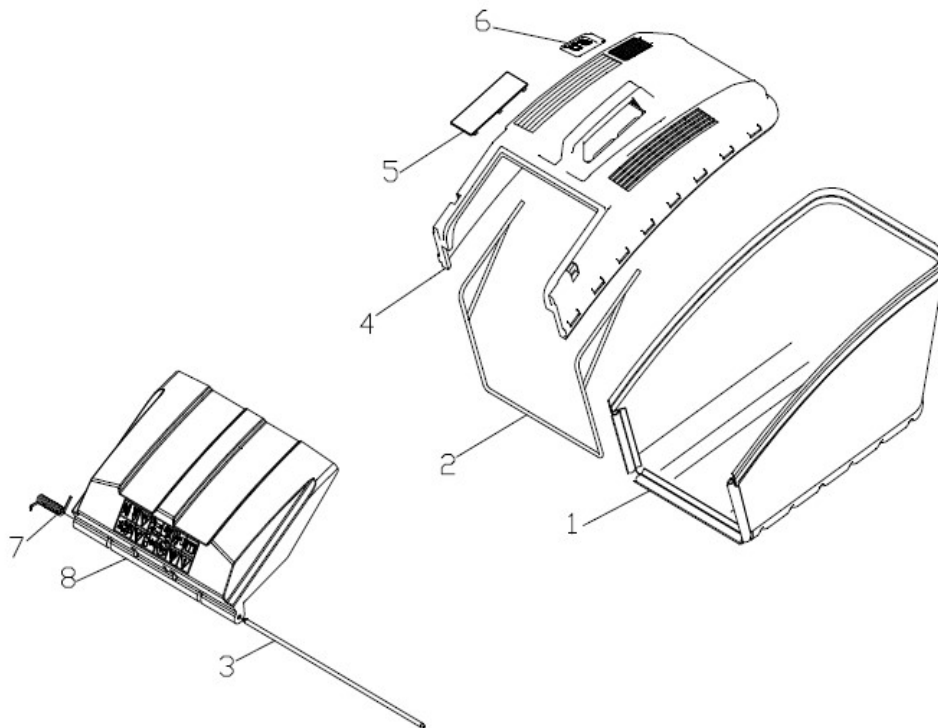
序号	物料号	零件名称	英文名称	数量
1	70840120000	高轮前驱总成	front drive assy.	1
2	20610070000	8英寸前轮内盖	inner cover of hub	2
3	60190080000	小垫圈Φ13xΦ20x1.5	flat washer	2
4	20880170130	C型8英寸轮子总成	wheel assy.	2
5	60010100000	R8-2RS轴承 Φ12.65xΦ28.6x8	bearing	4
6	60150090000	全金属法兰面锁紧螺母 M8	Self-locking nut	2
7	20620090060	C型8英寸轮毂外盖	outer cover of hub	2

<b>Drawing No.:</b>	<b>455941-4</b>	<b>Date :</b>
<b>Product model :</b>	<b>S530VHY-W</b>	
<b>Component name :</b>	<b>Rear drive &amp; Transmission</b>	<b>Remark :</b>



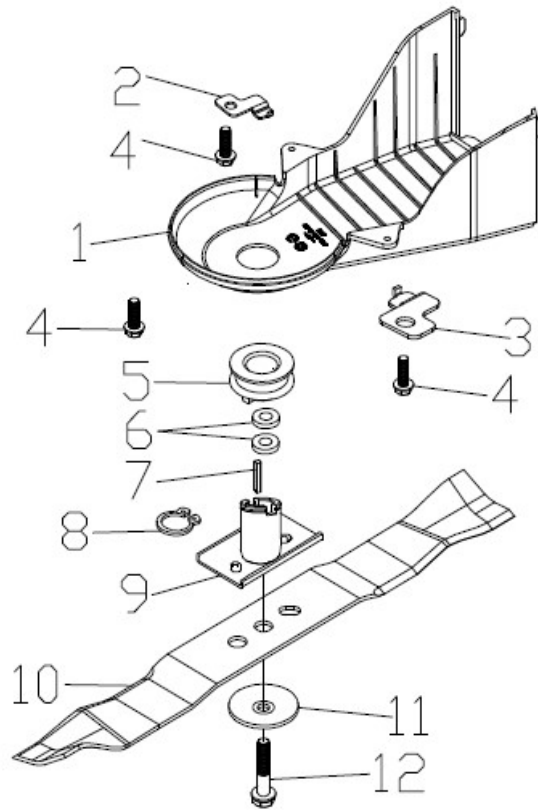
序号	物料号	零件名称	英文名称	数量
1	70850670000	S530VH自走式后驱焊接总成	rear drive assy.	1
2	20260010060	调高把手	height adjustment ball	1
3	70600110000	粉末冶金轴套	bush	2
4	60020010000	深沟球轴承 6001RS	bearing	2
5	20610060130	C型11英寸轮自走内盖	inner cover of hub	2
6	70860400000	AL480/S530-GT(硬离合)-2#	selfpropelled assy.	1
7	60240060000	轴用弹性挡圈 Φ12	spring washer	6
8	21070040000	棘轮垫片	selfpropelled ratchet washer	2
9	60290070000	棘轮销5#	bratchet pin	2
10	70300190000	棘轮左-L	Ratchet Wheel L	1
11	70300200000	棘轮右-L	Ratchet Wheel L	1
12	20880150130	C型11英寸轮子总成	wheel assy.	2
13	60010100000	R8-2RS轴承 12.65xΦ28.6x8	bearing	4
14	60150090000	全金属法兰面锁紧螺母 M8	Self-locking nut	2
15	20620100060	C型11英寸轮毂外盖	outer cover of hub	2
16	60320020000	普通V带-Z (Li=750)	V belt	1
17	60410240000	自走拉簧	selfpropelled spring	1
18	20430140000	高轮内盖衬套	rear wheel axle sleeve	2

<b>Drawing No.:</b>	<b>455941-5</b>	<b>Date :</b>
<b>Product model :</b>	<b>S530VHY-W</b>	
<b>Component name :</b>	<b>grass catcher&amp;rear discharge</b>	<b>Remark :</b>



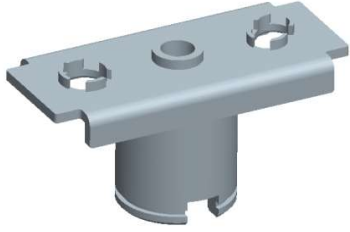




序号	物料号	零件名称	英文名称	数量
1	20070030000	75L草箱布袋总成	fabric grass bag	1
2	70020030000	75L半塑料草箱护架总成	plastic top frame	1
3	70030040000	后草盖轴	Shaft for rear discharge cover	1
4	20080030000	75L塑料草箱上盖	top of grass box	1
5	20710010000	手提护盖	handle cover	1
6	20060010130	草箱盖出风板	air-out board of fabric grass bag cover	1
7	60380140000	后草盖弹簧	cover spring	1
8	20380050130	后草盖	rear discharge cover	1

<b>Drawing No.:</b>	<b>455941-6</b>	<b>Date :</b>
<b>Product model :</b>	<b>S530VHY-W</b>	
<b>Component name :</b>	<b>blade &amp; blade adapter</b>	<b>Remark :</b>




序号	物料号	零件名称	英文名称	数量
1	20660070000	皮带护罩	belt cover	1
2	70290100000	皮带护罩压板(左)	Press board for belt cover	1
3	70290110000	皮带护罩压板(右)	Press board for belt cover	1
4	60060390000	六角头螺栓M8×25GB/T5789/8.8级	Hexagon head bolts	3
5	70580060000	S420V小带轮	Small Belt Wheel	1
6	70150070000	刀座衬套4mm	Short Washer for Blade Adapter	2
7	70480020000	曲轴长键20mm	Long Key for Crankshaft	1
8	60240070000	轴用弹性挡圈Φ35	spring washer	1
9	70140410000	刀座总成31mm	Blade Adapter Assy	1
10	70130230000	s530刀片	blade	1
11	60200240000	刀片大垫片	blade washer	1
12	60100020000	刀片螺栓 20Cr/35mm	Inch hex flange bolts	1



Drawing No.:		455941-7	Date :	2014.11.28
Product model :		S530VHY-W		
Component name :		易损件	Remark :	
序号	物料号	零件名称	英文名称	三维效果图
1	70140410000	刀座总成31mm	Blade Adapter Assy	
2	70130230000	S530刀片	blade	
3	20880150130	C型11英寸轮子总成	wheel assy.	
4	20620100060	C型11英寸轮毂外盖	outer cover of hub	
5	20880170130	C型8英寸轮子总成	wheel assy.	

6	20620090060	C型8英寸轮毂外盖	outer cover of hub	
7	60010100000	R8-2RS轴承 Φ 12.65x Φ 28.6x8	bearing	
8	20660070000	皮带护罩	belt cover	
9	60320020000	皮带 Li=750	v belt	
10	20110030000	侧排导草板	side discharge cover	
11	20120030000	侧排覆盖	mulching board	

12	20750040000	橡胶防尘板 (AL480)	rubber dust proof board	
----	-------------	---------------	-------------------------	---



