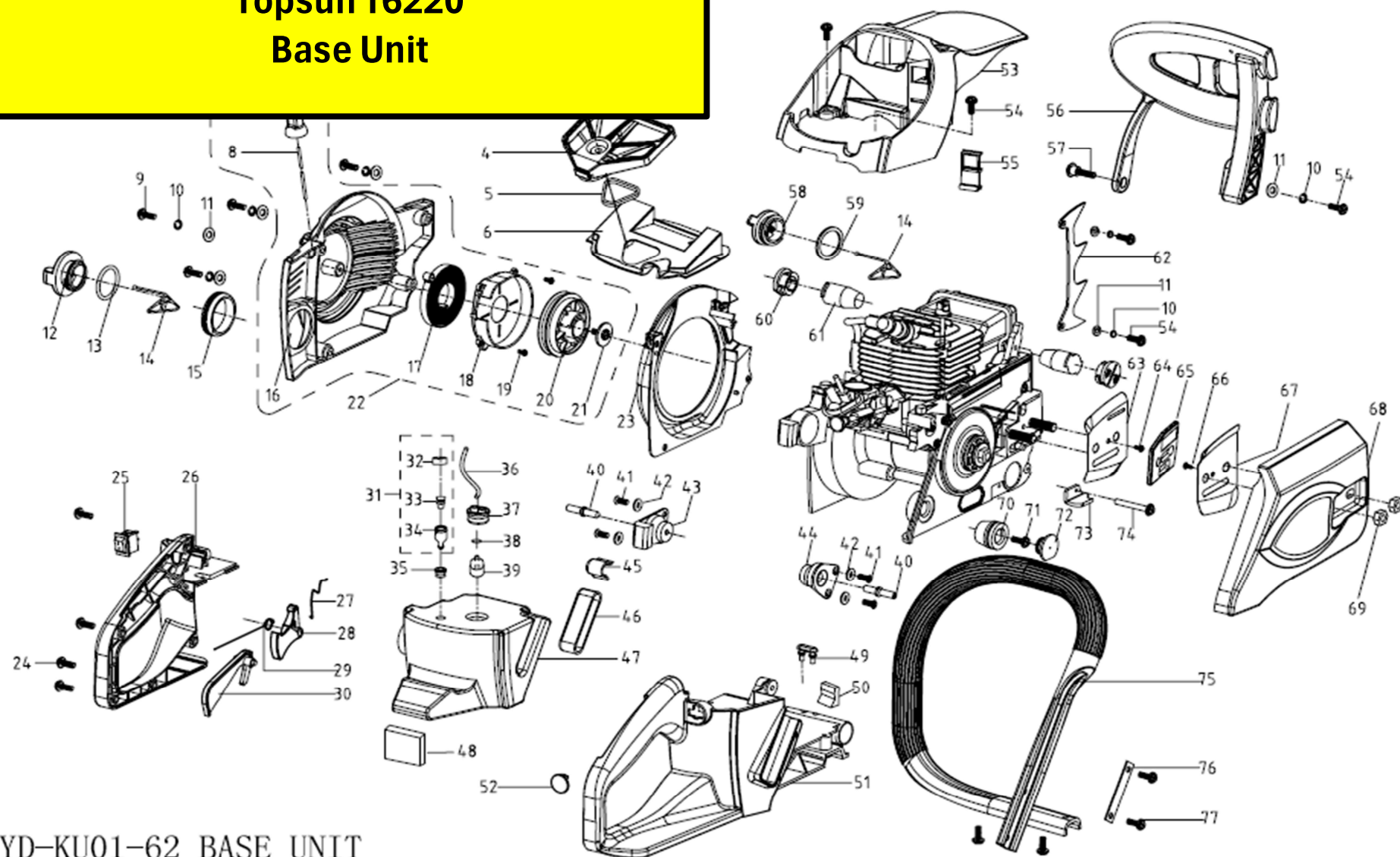


# Topsun T6220 Base Unit



YD-KU01-62 BASE UNIT

BASE UNIT OF T6220

No.	Parts No.	Description	QTY
1	YD38-3.05.01-00	air filter lock nut	1
2	YD38-3.05.00-6	lock nut washer 15×26×1	1
3	YD62.00.00-1	air filter cover	1
4	YD62.01.08.00-00	air filter	1
5	YD62.01.08.00-1	air filter sealing gasket	1
6	YD62.00.00-3	anti-dust base	1
7	YD38-5.02.00-4	start handle	1
8	YD62.02.00-5	start stretching wire	1
9	GB/T818	screw M5x18	4
10	GB/T93	spring washer 5	7
11	GB/T97.1	plate washer 5	7
12	YD62.00.03-1	fuel tank cover	1
13	YD38-3.03.02-3	packing washer 24×34×1.5	1
14	YD45.01.00.05-2	anti-drop plate	2
15	YD62.02.00-6	anti-shock rubber circle	1
16	YD62.02.01-00	starter cover	1
17	YD62.02.00-4	start coil-spring	1
18	YD62.02.00-2	coil-spring gland	1
19	GB/T845	screw ST2.9×7.5	2
20	YD62.02.02-00	start plate	1
21	GB/T9074.19	tapping screw ST4.8×13	1
22	YD62.02.00-00	starter assembly	1
23	YD62.02.00-1	bossing	1
24	GB/T845	tapping screw ST4.8×13	5
25	YD38-3.01.11.04-00	extinction switch	1
26	YD62.03.02-00	handle cover	1
27	YD62.03.00-3	acceleration rod	1

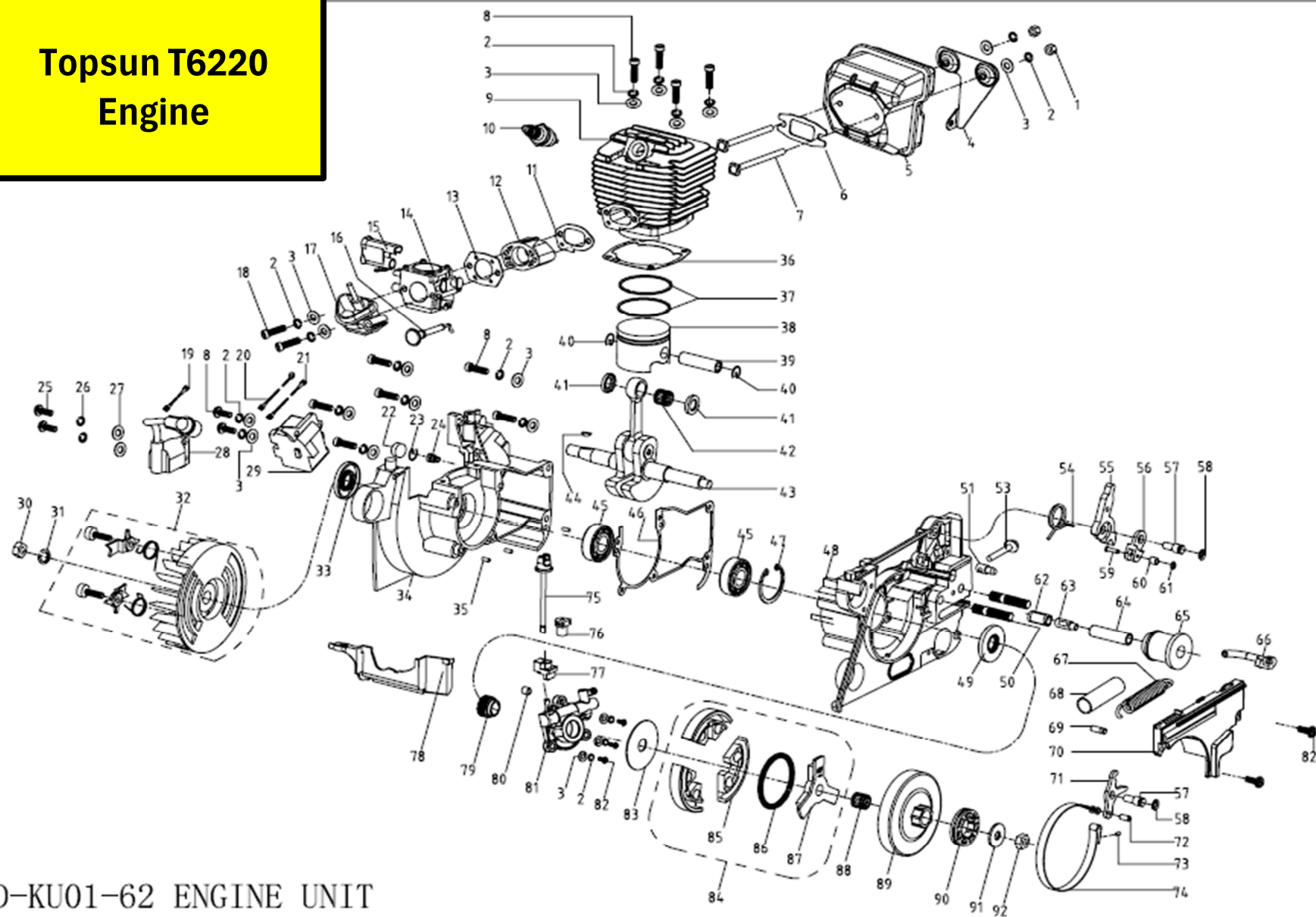
BASE UNIT OF T6220

28	YD62.03.00-1	trigger	1
29	YD45.03.00-12	trigger torsion rod spring	1
30	YD62.03.00-2	trigger control rack	1
31		balancer	1
32	YD45.03.00-7	balancer cover	1
33	YD45.03.00-6	balancer rubber	1
34	YD45.03.00-5	balancer body	1
35	YD38-3.03.00-3	balancer base	1
36	YD62.03.00-8	fuel tube	1
37	YD38-3.03.00-2	fuel tube base	1
38	YD62.03.00-9	fuel tube circlip	1
39	YD45.03.03-00	petrol filter components	1
40	YD62.00.00-12	screw M6×16	2
41	GB/T819.1	screw M5×14	4
42	GB/T956.1	washer 5	4
43	YD62.00.06-00	left shock rubber base	1
44	YD62.00.07-00	right shock rubber base	1
45	YD62.03.00-5	anti-shock rubber 1	1
46	YD62.03.00-4	anti-shock rubber 2	1
47	YD62.03.00-12	fuel tank	1
48	YD62.03.00-11	crank shock board	1
49	YD45.03.00-1	anti-shock rubber	1
50	YD62.03.00-10	right shock block of case	1
51	YD62.03.01-00	base body	1
52	YD38-3.03.00-4	front cover	1
53	YD62.00.00-2	upper cover plate	1
54	GB/T818	Screw M5×14	5
55	YD62.00.00-4	anti-freezing plate	1

BASE UNIT OF T6220

56	YD62.04.01-00	front damper	1
57	YD62.00.00-13	screw M5×18	1
58	YD62.00.04-1	oil tank cover	1
59	YD62.00.03-2	O shape circle 23×3.5	1
60	YD62.00.00-11	anti-shock lock nut	2
61	YD62.00.05-00	front anti-shock base	2
62	YD62.00.00-6	teeth blade	1
63	YD62.00.00-8	cover plate	1
64	GB/T818	screw M4×10	1
65	YD45.08.00-2	spacer plate	1
66	GB/T845	tapping screw ST4.2×8	1
67	YD62.00.01-1	right cover plate	1
68	YD62.00.10-00	right cover	1
69	GB/T6177.1	flange nut M8	2
70	YD38-3.06.03-00	anti-shock base	1
71	GB/T845	tapping screw ST4.8×16	1
72	YD38-3.00.00-8	anti-dust cover	1
73	YD62.00.00-7	chain guide dog	1
74	YD38-3.01.00-16	chain guide dog screw	1
75	YD62.06.00-00	front handle assembly	1
76	YD62.00.00-9	front handle plate	1
77	GB/T845	tapping screw ST4.8×19	4

# Topsun T6220 Engine



YD-KU01-62 ENGINE UNIT

## ENGINE UNIT OF T6220

No.	Parts No.	Description	QTY
1	GB/T6186	nut M5	2
2	GB/T93	spring washer 5	19
3	GB/T97.1	plate washer 5	19
4	YD62.01.09.00-1	muffler cover plate	1
5	YD62.01.09.01-00	muffler body	1
6	YD62.01.00-4	muffler sealing plate	1
7	YD62.01.00-8	muffler connecting screw	2
8	GB/T6191	hexagon screw M5×20	12
9	YD62.01.00-1	cylinder body	1
10	YD45.01.11.04-00	spark plug NHSP LD L8RTF	1
11	YD62.01.00-5	air intake tube sealing plate	1
12	YD62.01.00-2	air intake tube	1
13	YD62.01.00-6	Sealing plate for carburetor	1
14	YD62.01.06.00-00	carburetor	1
15	YD62.01.00-10	tube to modify the carburetor	1
16	YD62.01.00.02-00	throttle rod	1
17	YD62.01.00.01-00	air intake socket	1
18	GB/T6191	hexagon nut M5×82	2
19	YD62.01.11.05-00	connection conducting wire	1
20	YD62.01.11.04-00	grounding wire	1
21	YD62.01.11.03-00	igniter conducting wire	1
22	YD62.01.00-7	sponge transition block	1
23	YD62.01.00-9	aeration jet circlip	1
24	YD45.01.01.02-2	aeration	1
25	GB/T818	screw M4×16	2
26	GB/T93	washer 4	2

## ENGINE UNIT OF T6220

No.	Parts No.	Description	QTY
27	GB/T97.1	plate washer 4	2
28	YD62.01.11.02-00	igniter wire coil	1
29	YD62.01.11.01-00	igniter	1
30	GB/T6171	nut M10×1	1
31	GB/T93	spring washer 10	1
32	YD62.01.10.00-00	flywheel	1
33	YD62.01.00.03-00	oil seal 13×20×4.5	1
34	YD62.01.01.00-1	left case body	1
35	GB/T119.2	pin 5×10	3
36	YD62.01.00-3	cylinder sealing plate	1
37	YD62.01.03.00-1	piston ring	2
38	YD62.01.03.02-00	piston	1
39	YD62.01.03.00-2	piston pin	1
40	YD45.01.03-4	piston pin circlip	2
41	YD62.01.03.00-3	needle bearing ring	2
42	YD45.01.03.02-00	needle bearing 11×15×12.5	1
43	YD62.01.03.01-00	Crankshaft connecting bar components	1
44	GB/T1099	semicircular key 3×3.5×10	1
45	GB/T276	bearing 6202 grade D 15×35×11	2
46	YD62.01.01.00-2	case body sealing plate	1
47	GB/T893.1	ring 35	1
48	YD62.01.01.01-1	right case body	1
49	YD45.01.00.08-00	oil seal 15×35×4.5	1
50	GB/T900	double-screw bolt AYM8-M8×26-8.8	2
51	YD62.00.02-2	tensioner block	1
53	GB/T9074.1	adjust screw M5×48	1

## ENGINE UNIT OF T6220

54	YD62.04.00-2	rod spring	1
55	YD62.04.00-1	brake control rod	1
56	YD62.04.03-1	spacing block	1
57	YD62.01.01.01-2	spacing shield pin	2
58	GB/T896	shield ring 6	2
59	YD62.04.03-2	spacing pin	1
60	YD62.04.03-3	spacing wheel	1
61	GB/T896	shield ring 2	1
62	YD45.01.00.04-2	oil filter screen	1
63	YD45.01.00.04-1	oil filter	1
64	YD62.05.00-3	oil tube	1
65	YD62.05.00-4	oil tube base	1
66	YD62.05.00-2	oil tube and nozzle	1
67	YD62.04.00-3	brake spring	1
68	YD62.04.00-4	tubo for brake spring	1
69	YD62.01.01.01-3	brake spring pin	1
70	YD62.00.00-5	brake cover plate	1
71	YD62.04.00-5	spacing shield	1
72	GB/T879.2	pin 4×8	1
73	GB/T119.2	pin 3×8	1
74	YD62.04.02-00	brake strap	1
75	YD62.00.08-00	oil modifier	1
76	YD62.00.00-10	oil modifier base	1
77	YD62.05.00-8	oil modifier connecter	1
78	YD62.01.00-14	anti-wind plate	1
79	YD62.00.09-00	turbine	1
80	YD62.00.00-14	fixing tube	1
81	YD62.05.01-00	oil pump	1

## ENGINE UNIT OF T6220

82	GB/T818	screw M5×18	5
83	YD62.01.00-11	clutch washer12×48×1	1
84	YD62.01.13.01-00	clutch assembly	1
85	YD62.01.13.01-2	shoe block	3
86	YD62.01.13.01-3	clutch extension spring	1
87	YD62.01.13.01-1	retainer	1
88	YD62.01.00.04-00	needle bearing 10×14×13.5	1
89	YD62.01.13.00-1	cluth shell	1
90	YD62.01.00-12	sprocket	1
91	YD62.01.00-13	sprocket plate 8×23×2	1
92	GB/T6177.2	flange nut M8×1 left	1