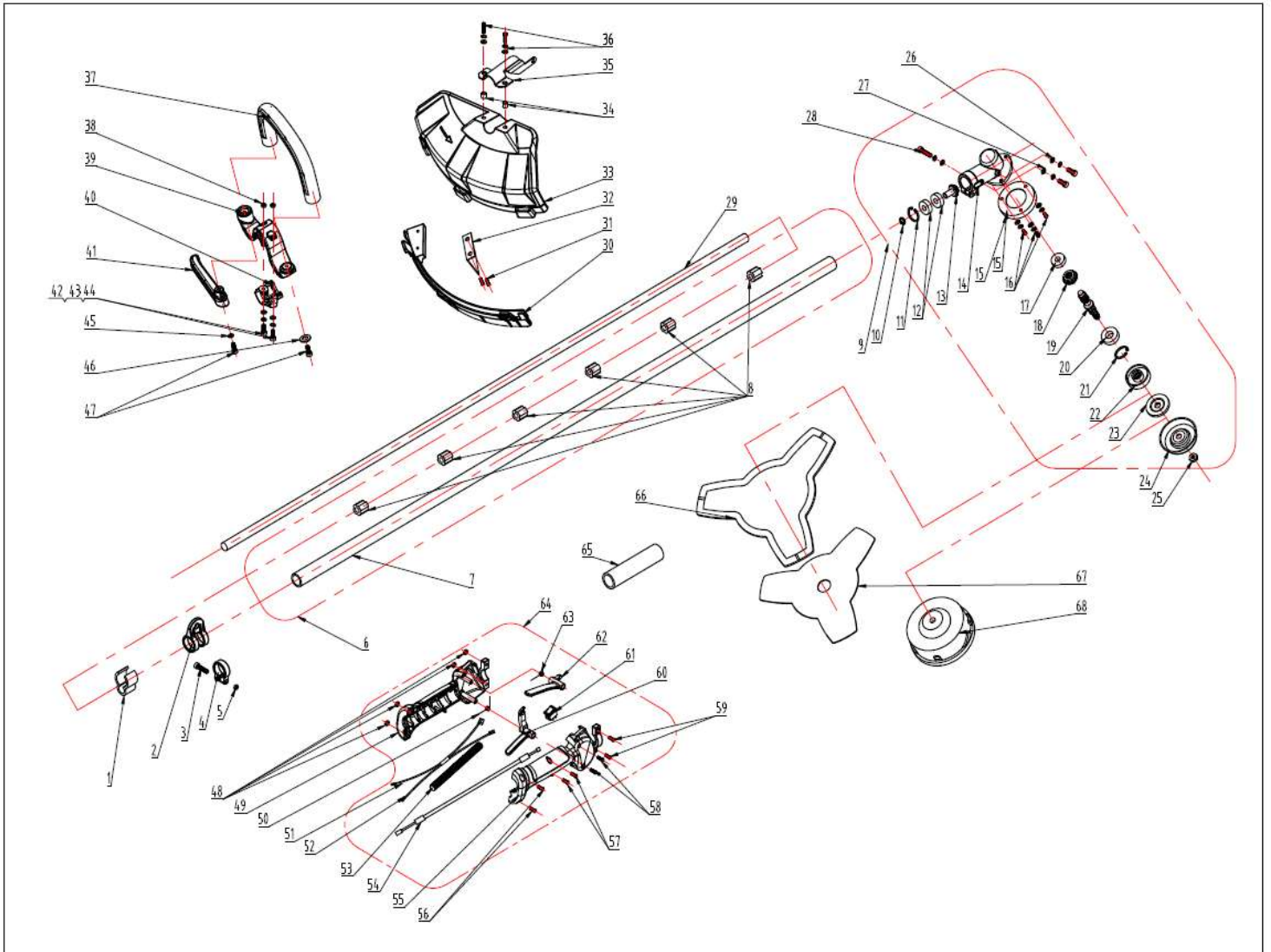


TBC(521\431\331\261)S BRUSH CUTTER

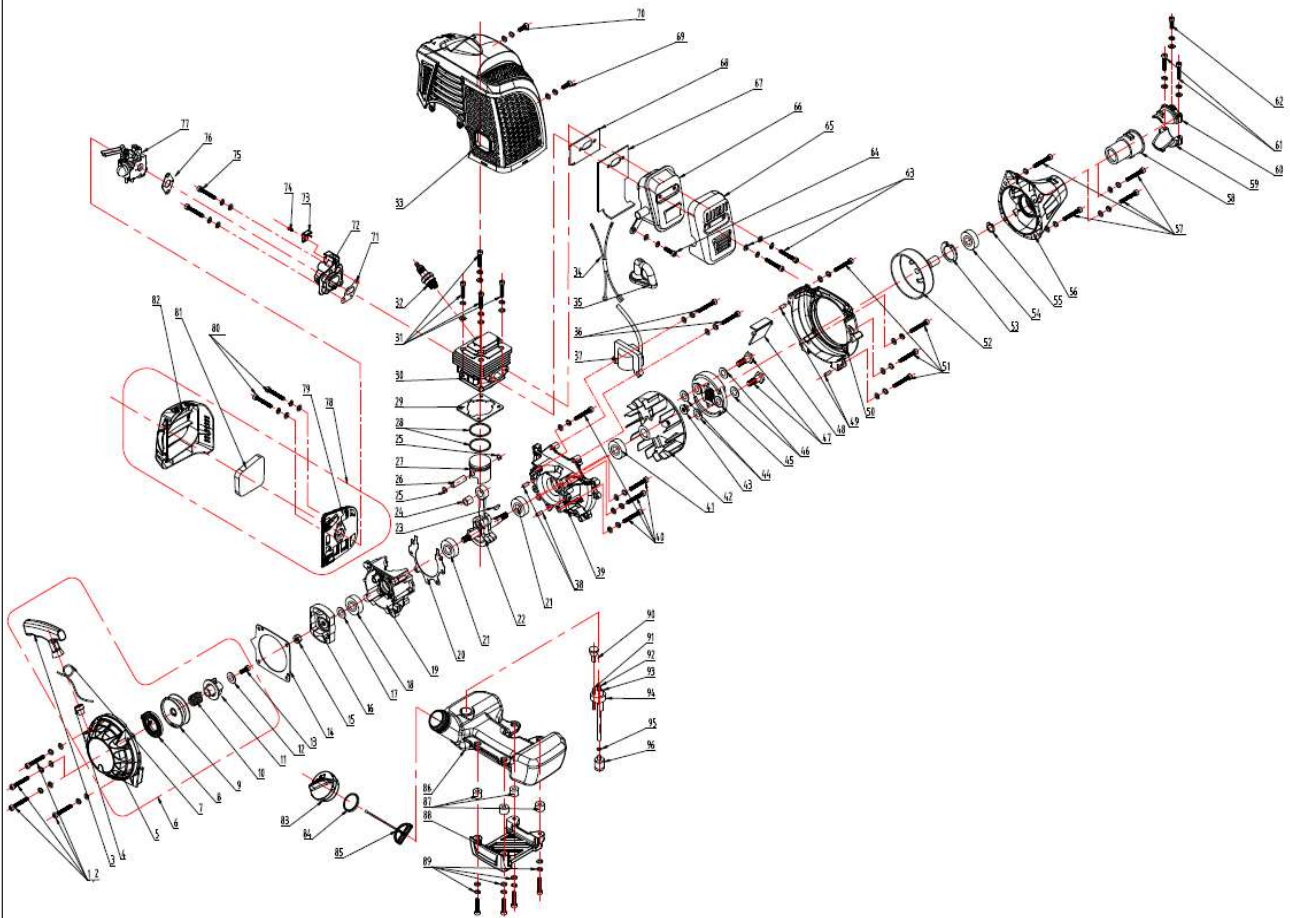


| NO. | Parts Code | Description | Qty |
|-----|---------------|-------------------------|-----|
| 1 | C43.1100.0003 | wire hold | 3 |
| 2 | C43.0112.0200 | harness clamp assembly | 1 |
| 3 | GB/T2671.2 | screw M5x20 | 1 |
| 4 | C43.0112.0002 | clamp | 1 |
| 5 | GB/T6170 | nut M5 | 1 |
| 6 | C43.1312.0100 | straight shaft assembly | 1 |
| 7 | C43.1312.0101 | AL tubing | 1 |
| 8 | C43.1112.0300 | rubber | 6 |
| 9 | C43.1116.0000 | gear box assembly | 1 |
| 10 | GB/T894.1 | circlip 10 | 1 |
| 11 | GB/T893.1 | circlip 26 | 1 |
| 12 | GB/T276 | ball bearing 6000-2z | 2 |

| | | | |
|----|---------------|--------------------------|---|
| 13 | C43.0116.0002 | pinion | 1 |
| 14 | C43.1116.0001 | gear box | 1 |
| 15 | C43.0116.0007 | top guard | 1 |
| 16 | GB/T70.1 | screw M5x8 | 3 |
| 17 | GB/T276 | bearing 6000-2z 10x26x8 | 1 |
| 18 | C43.0116.0004 | gear | 1 |
| 19 | C43.1116.0002 | gear shaft | 1 |
| 20 | GB/T276 | ball bearing 6002-2z | 1 |
| 21 | GB/T893.1 | circlip 26 | 1 |
| 22 | C43.1116.0004 | blade retainer | 1 |
| 23 | C43.1116.0003 | cap washer | 1 |
| 24 | C43.1116.0005 | bottom guard | 1 |
| 25 | GB/T6177.2 | flange nut M10x1.25 left | 1 |
| 26 | GB/T70.1 | screw M6x12 | 1 |
| 27 | GB/T2671.2 | screw M6x12 | 1 |
| 28 | GB/T2671.2 | screw M6x25 | 1 |
| 29 | C43.0112.0001 | driver shaft | 1 |
| 30 | C43.1113.0101 | | 1 |
| 31 | GB/T845 | ST screw 4.8x13 | 2 |
| 32 | C43.1113.0002 | cutting blade | 1 |
| 33 | C43.1113.0200 | guard | 1 |
| 34 | C43.1113.0102 | | 2 |
| 35 | C43.1113.0001 | clamp \ guard | 1 |
| 36 | GB/T2671.2 | screw M6x20 | 2 |
| 37 | C43.1311.0101 | front handle | 1 |
| 38 | GB/T6170 | nut M5 | 2 |
| 39 | C43.1311.0102 | handle base | 1 |
| 40 | C43.1311.0103 | clamp | 1 |
| 41 | C43.1311.0104 | bar | 1 |
| 42 | GB/T2671.2 | screw M5x28 | 2 |
| 43 | GB/T93 | lock washer 5 | 2 |
| 44 | GB/T97.1 | plate washerΦ5*12*1.5 | 2 |
| 45 | GB/T97.1 | plate washer Φ5*11*2 | 1 |
| 46 | GB/T97.1 | plate washerΦ5*12*1.5 | 1 |

| | | | |
|-----------|---------------|------------------------|---|
| 47 | GB/T845 | ST screw 4.8x19 | 2 |
| 48 | GB/T6170 | nut M5 | 4 |
| 49 | C43.1311.0201 | plastic handle \ LH | 1 |
| 50 | C43.1311.0205 | spring \ trigger | 1 |
| 51 | C43.1311.0208 | wire cable A | 1 |
| 52 | C43.1311.0209 | wire cable B | 1 |
| 53 | C43.1311.0210 | | 1 |
| 54 | C43.1311.0207 | throttl cable assembly | 1 |
| 55 | C43.1311.0202 | plastic handle \ RH | 1 |
| 56 | GB/T2671.2 | screw M5x14 | 2 |
| 57 | GB/T845 | ST screw 3.5x9.5 | 2 |
| 58 | GB/T845 | ST screw ST4.2x10 | 2 |
| 59 | GB/T2671.2 | screw M5x14 | 2 |
| 60 | C43.1311.0204 | trigger | 1 |
| 61 | A38.0306.0500 | switch | 1 |
| 62 | C43.1311.0203 | lock trigger | 1 |
| 63 | C43.1311.0206 | spring \ trigger | 1 |
| 64 | C43.1311.0200 | rubber handle | 1 |
| 65 | G26.0200.0001 | foam grip | 1 |
| 66 | C43.1100.0005 | blade cover | 1 |
| 67 | C43.0100.0001 | blade | 1 |
| 68 | C43.0100.0200 | string head assembly | 1 |

1E36F-2A GASOLINE ENGINE



| No. | Parts Code | Description | Qty |
|-----|---------------|---------------------|-----|
| 1 | GB/T2671.2 | screw M5x20 | 2 |
| 2 | GB/T2671.2 | screw M5x25 | 2 |
| 3 | A62.0110.0002 | start grip | 1 |
| 4 | A25.0110.0101 | eyelet | 1 |
| 5 | C43.1110.0200 | start housing | 1 |
| 6 | C43.1110.0000 | start assembly | 1 |
| 7 | C43.1110.0001 | start rope | 1 |
| 8 | C43.1110.0003 | coil spring | 1 |
| 9 | C43.1110.0002 | start pulley | 1 |
| 10 | C43.1110.0004 | spring. Start | 1 |
| 11 | C43.1110.0005 | ratchet wheel | 1 |
| 12 | GB/T9074.19 | ST screw 4.8x19 | 1 |
| 13 | GB/T9074.19 | plate washer 5x16x1 | 1 |
| 14 | C43.1101.0003 | starter gasket | 1 |

| | | | |
|----|---------------|--------------------------|---|
| 15 | GB/T6175 | nut M8 | 1 |
| 16 | C43.0101.0200 | start reel | 1 |
| 17 | GB/T97.1 | flat washer 8 | 1 |
| 18 | A38.0302.0200 | OIL-SEAL 12x22x7 | 1 |
| 19 | C33.0102.0002 | crank case RH side | 1 |
| 20 | C33.0102.0003 | gasket \ Crank case | 1 |
| 21 | GB/T276 | ball bearing 6201 | 2 |
| 22 | C33.1103.0100 | crank shaft ass'y | 1 |
| 23 | GB/T1099 | key 3x5x13 | 1 |
| 24 | C33.0103.0300 | bearing | 1 |
| 25 | C33.0103.0003 | circlip \ Piston pin | 2 |
| 26 | C33.0103.0002 | piston pin | 1 |
| 27 | C33.0103.0200 | piston | 1 |
| 28 | C33.0103.0001 | piston ring | 2 |
| 29 | C33.0101.0002 | gasket \ Cylinder | 1 |
| 30 | C33.1101.0001 | cylinder | 1 |
| 31 | GB/T2671.2 | screw M5x20 \ Cylinder | 4 |
| 32 | A45.0106.0500 | Spark Plug | 1 |
| 33 | C33.1101.0004 | top housing | 1 |
| 34 | C33.0106.0200 | wire | 1 |
| 35 | C43.1106.0001 | Spark Plug cover | 1 |
| 36 | GB/T2671.2 | screw M5x25 . Ignition | 2 |
| 37 | C33.0106.0100 | ignition | 1 |
| 38 | GB/T119.2 | pin $\phi 5 \times 10$ | 2 |
| 39 | C33.0102.0001 | crank case LH side | 1 |
| 40 | GB/T2671.2 | screw M5x30 \ Crank case | 4 |
| 41 | A38.0302.0200 | OIL-SEAL 12x22x7 | 1 |
| 42 | C33.0106.0300 | magneto rotor | 1 |
| 43 | GB/T6187 | flange nut M8 | 1 |
| 44 | C43.0101.0009 | flat washer 8x16x1.5 | 2 |
| 45 | C43.1101.0400 | clutch assembly | 1 |
| 46 | GB/T755 | washer 10 | 2 |
| 47 | C43.0101.0008 | bolt \ clutch | 2 |
| 48 | C33.0101.0006 | plastic plate | 1 |

| | | | |
|----|--------------------|------------------------|---|
| 49 | GB/T119.2 | pin $\phi 5 \times 10$ | 2 |
| 50 | C33.1102.0001 | fan cover | 1 |
| 51 | GB/T2671.2 | screw M5x20 | 4 |
| 52 | C43.0108.0100 | clutch drum | 1 |
| 53 | GB/T893.1 | circlip 35 | 1 |
| 54 | GB/T276 | ball bearing 6202-2z | 1 |
| 55 | GB/T894.1 | circlip 15 | 1 |
| 56 | C33.1108.0101 | clutch drum housing | 1 |
| 57 | GB/T2671.2 | screw M6x20 | 4 |
| 58 | C43.0108.0002 | rubber | 1 |
| 59 | C43.0108.0004 | clamp RH | 1 |
| 60 | C43.0108.0003 | clamp LH | 1 |
| 61 | GB/T2671.2 | screw M5x25 | 2 |
| 62 | GB/T2671.2 | screw M5x12 | 1 |
| 63 | GB/T2671.2 | screw M5x60 . Muffler | 2 |
| 64 | GB/T2671.2 | screw M5x12 . Muffler | 1 |
| 65 | C33.1101.0002 | | 1 |
| 66 | C33.1105.0100/0200 | muffler | 1 |
| 67 | C33.1101.0005 | gasket . Muffler | 1 |
| 68 | C33.0101.0005 | gasket . Muffler | 1 |
| 69 | GB/T2671.2 | screw M5x12 | 1 |
| 70 | GB/T2671.2 | screw M4x12 | 1 |
| 71 | C33.0101.0003 | gasket | 1 |
| 72 | C33.1101.0100 | admitting pipe | 1 |
| 73 | C43.1101.0007 | stamping | 1 |
| 74 | GB/T845 | ST screw 3.5x9.5 | 1 |
| 75 | GB/T2671.2 | screw M5x22 | 2 |
| 76 | A38.0301.0010 | gasket . carburetor | 1 |
| 77 | C33.1101.0200 | carburetor | 1 |
| 78 | C33.1104.0000 | air box assembly | 1 |
| 79 | C43.1104.0001 | air box base | 1 |
| 80 | GB/T2671.2 | screw M5x45 | 2 |
| 81 | C43.1104.0003 | spone | 1 |
| 82 | C33.1104.0001 | air box cover | 1 |

| | | | |
|----|---------------|-----------------------|---|
| 83 | C43.1107.0101 | fuel tank cover | 1 |
| 84 | C43.1107.0103 | gasket rubber | 1 |
| 85 | C43.1107.0102 | | 1 |
| 86 | C33.1107.0001 | fuel tank ass'y | 1 |
| 87 | C43.1107.0002 | rubber bump | 4 |
| 88 | C33.1101.0003 | fuel tank housing | 1 |
| 89 | GB/T2671.2 | screw M5x25 fuel tank | 4 |
| 90 | A45.0111.0200 | | 1 |
| 91 | C43.1107.0006 | air tube | 1 |
| 92 | C43.1107.0004 | fuel tube | 1 |
| 93 | C43.1107.0005 | return tube | 1 |
| 94 | C43.1107.0003 | retainer . fuel tube | 1 |
| 95 | A45.0102.0103 | | 1 |
| 96 | A38.0311.0500 | filter fuel | 1 |