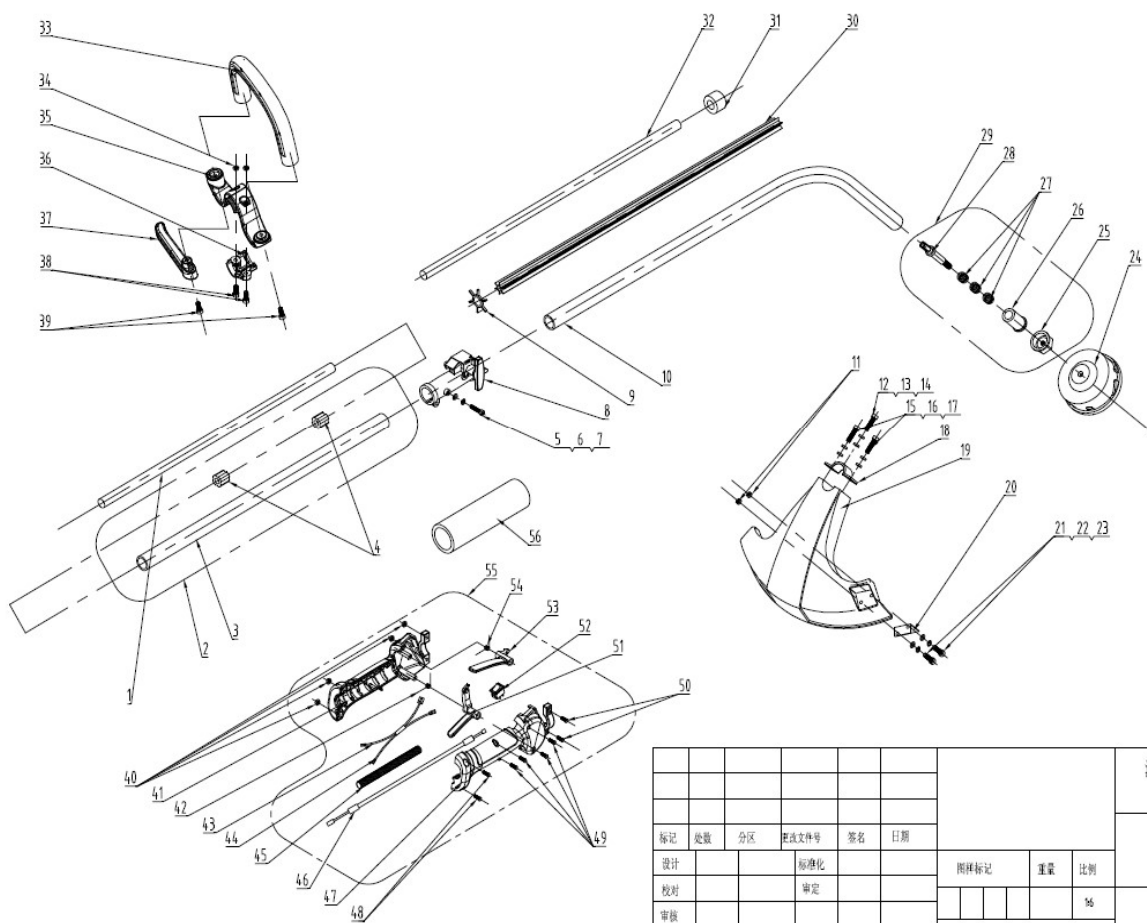


# TTR261SJ BASIC UNIT

TTR261SJ LINE TRIMMER



						浙江永康中坚工具 制造有限公司		
						爆炸图		
						TTR261SJ		
标记	处数	分区	更改文件号	签名	日期	图样标记	重量	比例
设计			标准化					96
校对			审定					
审核								
工艺								
共 1 张 第 1 张								

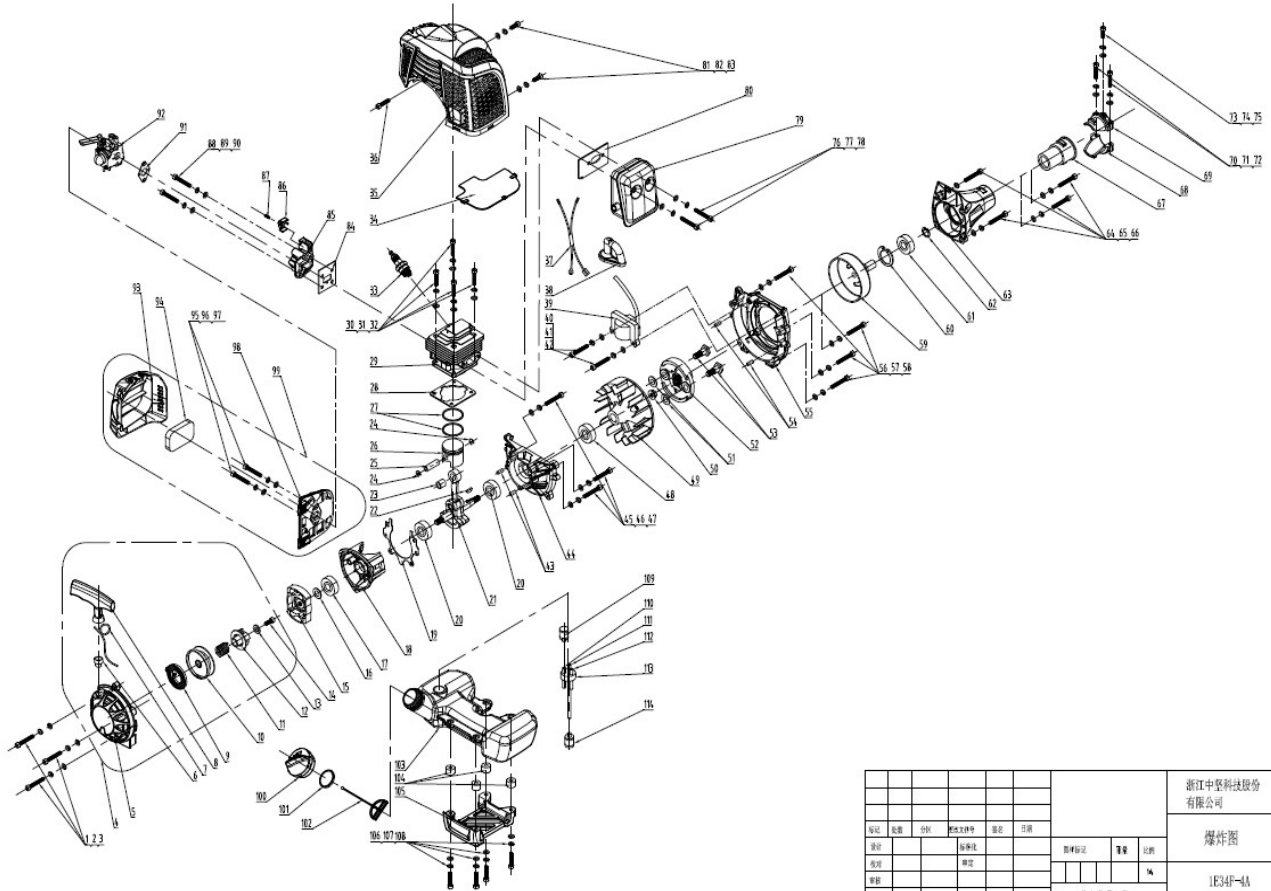
Ser. NO.	PARTS NO.	DESCRIPTION (EN)	Qty
1	TTR260DJ.03.00-1	driver shaft	1
2	TBC430DJ.03.02-00	back shaft assembly	1
3	TBC430DJ.03.02-1	back AL tubing	1
4	TBC430D.03.04-00	rubber\ shaft	2
5	GB/T70.1	screw M5x14	1
6	GB/T93	lock washer 5	1
7	GB/T97.1	plate washer 5	1
8	TTR260SJ.03.03-00	connector assembly	1
9	TTR260SJ.03.01-3	spring washer	1
10	TTR260SJ.03.01-1	curve tubing	1
11	GB/T6170	nut M5	2
12	GB/T70.1	screw M5x8	1
13	GB/T93	lock washer 5	1

14	GB/T97.1	plate washer 5	1
15	GB/T70.1	screw M5x14	2
16	GB/T93	lock washer 5	2
17	GB/T97.1	plate washer 5	2
18	TTR260SJ.06.00-2	clamp \ guard	1
19	TTR260SJ.06.00-1	plastic guard	1
20	TTR260SJ.06.00-3	cutting blade	1
21	GB/T70.1	screw M5x14	2
22	GB/T93	lock washer 5	2
23	GB/T97.1	plate washer 5	2
24	TTR260SJ.02.01-00	string head assembly	1
25	TTR260SJ.03.04-3	nut \ cover	1
26	TTR260SJ.03.04-1	housing \ bearing	1
27	TTR260SJ.03.06-00	bearing 11x15x12.5	3
28	TTR260SJ.03.04-2	shaft \ output	1
29	TTR260SJ.03.04-00	connector	1
30	TTR260SJ.03.01-2	plastic liner	1
31	TTR260SJ.03.05-2	eyelet	1
32	TTR260SJ.03.05-1	flex shaft	1
33	TBC431S.05.01-1	front handle	1
34	GB/T6170	nut M5	2
35	TBC431S.05.01-2	handle base	1
36	TBC431S.05.01-3	clamp	1
37	TBC431S.05.01-4	bar	1
38	GB/T70.1	screw M5x25	2
39	GB/T845	ST screw 4.8x19	2
40			
41			
42			
43			
44			
45			
46			
47			

48			
49			
50			
51			
52			
53			
54			
55			
56	TTR260SJ.02.00-1	foam grip	1

# TTR261SJ ENGINE UNIT

1E34F-4A GASOLINE ENGINE



				浙江中登科技股份有限公司	
				爆炸图	
				1E34F-4A	
				图 1 共 1 张	

Ser. NO.	PARTS NO.	DESCRIPTION (EN)	Qty
1	GB/T70. 1	screw M5x16	3
2	GB/T93	lock washer 5	3
3	GB/T97. 1	plate washer 5	3
4	TBC261D. 01. 12. 00-00	starter assembly	1
5	TBC261D. 01. 12. 02-00	start cover	1
6	YD25. 02. 01-2	eyelet	1
7	YD25. 02. 00-5	start rope	1
8	YD62. 02. 00-3	start grip	1
9	TBC261D. 01. 12. 00-5	coil spring	1
10	TBC261D. 01. 12. 00-4	start pulley	1
11	TBC261D. 01. 12. 00-6	spring. Start	1
12	TBC261D. 01. 12. 00-7	ratchet wheel	1
13	GB/T97. 1	plate washer	1

14	GB/T845	ST screw 4.8x13	1
15	TBC260D.01.00.02-00	start reel	1
16	GB/T97.1	washer 8	1
17	YD38-3.01.01.02-00	OIL-SEAL 12x22x7	1
18	TBC260D.01.01.00-2	crank case RH side	1
19	TBC260D.01.01.00-3	gasket \ crank case	1
20	GB/T276	bearing 6001	2
21	TBC260D.01.03.01-00	crank shaft assembly	1
22	GB/T1099	key 3x3.5x10	1
23	TBC260D.01.03.03-00	bearing 6001 8×11×11	1
24	YD38-3.01.03.00-4	circlip \ Piston pin	2
25	GJB25D.01.03.00-2	piston pin	1
26	GJB25D.01.03.02-00	piston	1
27	GJB25D.01.03.00-1	piston ring	2
28	TBC260D.01.00.00-4	gasket \ cylinder	1
29	TBC260D.01.00.00-1	cylinder	1
30	GB/T70.1	screw M5x20	4
31	GB/T93	lock washer 5	4
32	GB/T97.1	plate washer 5	4
33	YD45.01.11.04-00	Spark Plug	1
34	TBC261D.01.00.00-3	plastic plate	1
35	TBC261D.01.00.00-2	top housing	1
36	GB/T845	ST screw 4.8x13	1
37	TBC260D.01.11.02-00	wire	1
38	TBC430D.01.11.00-1	Spark Plug cover	1
39	TBC260D.01.11.01-00	ignition	1
40	GB/T70.1	screw M5x20	2
41	GB/T93	lock washer 5	2
42	GB/T97.1	plate washer 5	2
43	GB/T119.2	pin $\phi$ 5x10	2
44	TBC260D.01.01.00-1	crank case LH side	1
45	GB/T70.1	screw M5x25	4
46	GB/T93	lock washer 5	4
47	GB/T97.1	plate washer 5	4

48	YD38-3.01.01.02-00	OIL-SEAL 12x22x7	1
49	TBC260D.01.10.00-00	magneto rotor	1
50	GB/T6177.2	flange nut M8x1	1
51	GJB25D.01.00.00-15	flat washer	2
52	TBC260D.01.00.03-00	clutch assembly	1
53	GJB25D.01.00.00-14	bolt \ clutch	2
54	GB/T119.2	pin $\Phi$ 4x12	2
55	TBC261D.01.01.00-4	fan cover	1
56	GB/T70.1	screw M5x20	4
57	GB/T93	lock washer 5	4
58	GB/T97.1	plate washer 5	4
59	TBC260D.01.14.01-00	clutch durm assembly	1
	TTR260SJ.01.14.01-00	clutch durm assembly	1
	TTR260S.01.14.01-00	clutch durm assembly	1
60	GB/T893.1	circlip 35	1
61	GB/T276	bearing 6202	1
62	GB/T894.1	circlip 15	1
63	TBC261D.01.14.00-1	clutch drum housing	1
64	GB/T70.1	screw M6x20	4
65	GB/T93	lock washer 6	4
66	GB/T97.1	plate washer 6	4
67	TBC430D.01.14.00-2	rubber	1
68	TBC430D.01.14.00-4	clamp RH	1
69	TBC430D.01.14.00-3	clamp LH	1
70	GB/T70.1	screw M5x25	2
71	GB/T93	lock washer 5	2
72	GB/T97.1	plate washer 5	2
73	GB/T70.1	screw M5x12	1
74	GB/T93	lock washer 5	1
75	GB/T97.1	plate washer 5	1
76	GB/T70.1	screw M5x55	2
77	GB/T93	lock washer 5	2
78	GB/T97.1	plate washer 5	2
79	TBC260D.01.09.00-00	muffler	1

80	TBC260D.01.00.00-6	gasket \ muffler	1
81	GB/T70.1	screw M4x12	2
82	GB/T93	lock washer 4	2
83	GB/T97.1	plate washer 4	2
84	TBC260D.01.00.00-5	gasket	1
85	TBC261D.01.00.01-00	admitting pipe	1
86	TBC431D.01.00.00-12	stamping	1
87	GB/T845	ST screw 3.5x9.5	1
88	GB/T70.1	screw M5x20	2
89	GB/T93	lock washer 5	2
90	GB/T97.1	plate washer 5	2
91	TBC331D.01.00.00-4	gasket \ carburetor	1
92	TBC331D.01.06.00-00	carburetor	1
93	TBC261D.01.08.00-2	air box cover	1
94	GJB25D-2.01.08.00-2	spone	1
95	GB/T70.1	screw M5x55	2
96	GB/T93	lock washer 5	2
97	GB/T97.1	plate washer 5	2
98	TBC261D.01.08.00-1	air box base	1
99	TBC261D.01.08.00-00	air box assembly	1
100	TBC431D.01.13.01-1	fuel tank cover	1
101	TBC431D.01.13.01-3	gasket rubber	1
102	TBC431D.01.13.01-2		1
103	TBC261D.01.13.00-1	fuel tank	1
104	TBC431D.01.13.00-2	rubber bump	4
105	TBC261D.01.00.00-7	fuel tank housing	1
106	GB/T70.1	screw M5x25	4
107	GB/T93	lock washer 5	4
108	GB/T97.1	plate washer 5	4
109	YD45.03.00-5		1
110	TBC431D.01.13.00-6	air tube	1
111	TBC430D.01.13.00-4	fuel tube	1
112	TBC430D.01.13.00-5	return tube	1
113	TBC431D.01.13.00-3	retainer . fuel tube	1

114	TD38-3.03.04-00	filter fuel	1
-----	-----------------	-------------	---

Notice: TBC260D.01.14.01-00 only used for TBC260 series model , TTR260SJ.01.14.01-00 only used of TTR260SJ , TTR260S.01.14.01-00 only used for TTR260S