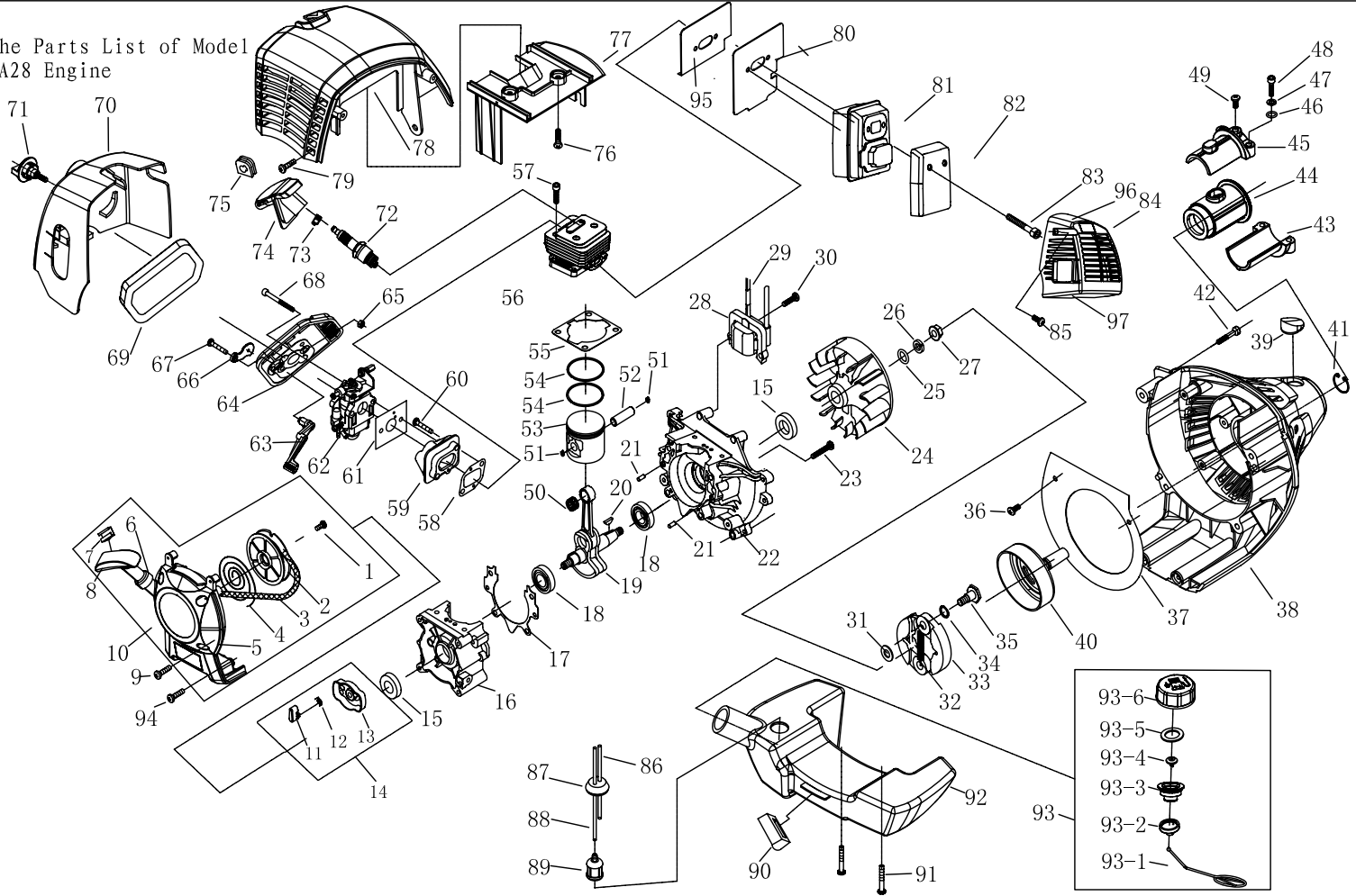
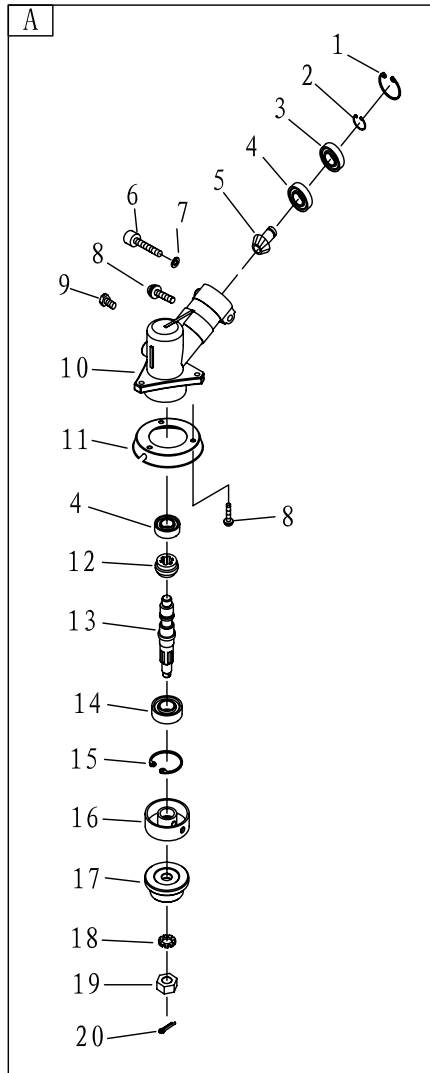


The Parts List of Model HA28 Engine

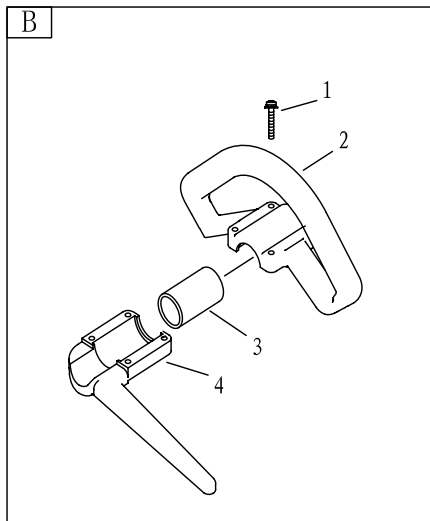


序号 NO.	代号 Part No.	名称 Part Name	数量 Qty.	序号 NO.	代号 Part No.	名称 Part Name	数量 Qty.	序号 NO.	代号 Part No.	名称 Part Name	数量 Qty.	序号 NO.	代号 Part No.	名称 Part Name	数量 Qty.
1	GB/T9074.6	螺栓组合件 M5×10 Screw M5×10	1	30	GB9074.13	螺栓组合件 M5×20 Bolt M5×20	2	59	1E34F-E.8	进气管 Admitting Pipe	1	88	借CG420.1.3.2-2	透明塑料管 Fuel Pipe	0.11
2	1E34F.11-2	启动滑轮 Start Rope Reel	1	31	1E34F-11	垫圈B WasherB	2	60	GB/T9074.4	螺栓组合件 M5×25 Screw M5×25	2	89	P40.12.2-3A	燃油过滤器 Cleaner Cover	1
3	1E34F.11-3	启动拉绳 Rope	1	32	1E34F.10C-1	拉簧 Spring	1	61	1E36F-E-11	化油器垫 Gasket	1	90	1E40F-5A-2	橡胶套 Rubber Cover	1
4	1E34F.11-1	启动平簧 Recoil Spring	1	33	1E34F.10.1	涨紧块 Expander	2	62	1E34F-E.1A	化油器 Carburetor	1	91	GB9074.4	螺栓组合件 M5×16 Screw M5×16	1
5	HA28.8.1	启动器罩壳组合 Start Cover Ass'y	1	34	1E34F-13	波形垫圈 Washer	2	63	HA28L.1-3	阻风门手柄 Choker Handle	1	92	HA28.7.1	油箱 Fuel Tank	2
6	HA28.8-1	导向套 Ring	1	35	1E34F-12	螺钉轴 Screw Pin	2	64	HA28L.1.2	空滤器内罩 Cleaner inside cover	1	93	1E32FL.6.2	油箱盖组合 Lid Ass'y	1
7	1E36F.1-5	防脱垫 Gasket	1	36	GB 845	螺钉 ST4.2X9.5 Screw ST4.2X9.5	2	65	GB 6170	螺母 M4 Nut M4	1	93-1	1E32FL.6.2-4	防脱链 Chain	1
8	1E36F.1-1	启动手柄 Start Handle	1	37	HA28.4-1	引风板 Shutterer	1	66	HA36.4.1-2	阻风门 CHOKER	1	93-2	1E32FL.6.2-3	端盖 End Cover	1
9	GB/T9074.4	螺栓组合件 M4×16 Screw M4×16	4	38	HA28.4.1-1	连接盘 Clutch Case	1	67	GB/T845	自攻螺钉 ST4.2×13 Screw ST4.2×13	1	93-3	1E32FL.6.2-2	油箱内盖 Inside Cover	1
10	HA28.8	启动器 Starter	1	39	HA28.4.1-2	堵头 Stopple	1	68	GB/T 70.1	螺栓组合件 M5×55 Screw M5×55	2	93-4	EB-415.4.1.1-1	进气嘴 Inlet	1
11	1E34F.8-1	启动爪 Start pole	2	40	HA28.4.2	被动盘离合 Clutch Drum Comp.	1	69	HA28L.1-2	滤芯 Filter Net	1	93-5	CG420.1.3.1-2	密封垫 Gasket	1
12	1E34F.8-2	启动扭簧 Spring	1	41	GB/T894.1	挡圈15 Stop Ring 15	1	70	HA28.5-1	空滤器外罩 Cleaner Outside Cover	1	93-6	1E32FL.6.2-1	油箱盖 Fuel Tank Lid	1
13	HA28.10.1	启动拨盘焊合 Start Reel	1	42	GB70.1+GB93+GB97	螺钉 M5×16 Screw M5×16	4	71	HA28L.1.1	大头螺钉 Screw	1	94	GB/T845	自攻螺钉 ST4.2×16 Screw ST4.2×16	2
14	HA28.10	启动拨盘组合 Start Reel Ass'y	1	43	CG305F-HS.1-2	半圆夹板B Clamp B	1	72	L8RTC	火花塞 Spark Plug	1	95	HA28-6	消音器垫(二) Gasket(二)	1
15	1E36F.2	小油封 Oil-seal	2	44	CG305F-HS.1-3	减振套 Rubber Cover	1	73	1E40F-3A.8-2	火花塞卡簧 Spring	1	96	1E36F-E-9	热反射板 Gasket	0.07
16	1E34F-E.7-1	后半曲轴箱 Crank Case	1	45	CG305F-HS.1-1	半圆夹板A Clamp A	1	74	HA28.2.1-1	高压帽 Cap	1	97	1E36F-E-9	热反射板 Gasket	0.048
17	1E34F-E.6-2	曲轴箱密封垫 Gasket	1	46	GB97.1	垫圈5 Washer5	2	75	1E40F-5.3-1	胶塞 Plug	1				
18	GB/T276	轴承 6001/P6 Bearing 6001/P6	2	47	GB93	垫圈5 Washer5	2	76	GB845	螺钉 ST4.2X9.5 Screw ST4.2X9.5	2				
19	1E34F-E.4.1	曲轴连杆组 Crank Shaft	1	48	GB70.1	螺钉 M5×16 Screw M5×16	2	77	HA28.3-2	导风板 Guide Clapboard	1				
20	1E40FP-3Z.3-1	半圆键 Key	1	49	GB9074.4	螺栓组合件M5×16 Screw M5×16	1	78	HA28.3-1	缸体护罩 Guide Cover	1				
21	GB/T119	销 B4×10 Pin B4×10	2	50	1E31F.4.1	小头滚针轴承 Bearing	1	79	GB/T846	螺钉 ST2.9X9.5 Screw ST2.9X9.5	2				
22	HA28.6-1	前半曲轴箱 Crank Case	1	51	1E34F.6-2	活塞销挡圈 Ring	2	80	HA28-1	消音器垫 Gasket	1				
23	GB/T9074.4	螺钉 M5×30 Screw M5×30	4	52	1E34F-E.4-1	活塞销 Piston Pin	1	81	1E34F-2E.2	消音器 Muffler	1				
24	HA28.2.1.2	磁电机转子 MAGNETO ROTOR COMP.	1	53	1E34F-E.4-1	活塞 Piston	1	82	1E34F-E-7	隔热罩 Cover	1				
25	GB/T859	垫圈8 Washer8	1	54	1E34F.6-5	活塞环 Piston Ring	2	83	GB70.1+GB93+GB97	螺钉 M5×55-12.9 Screw M5×55-12.9	2				
26	GB/T97.1	垫圈8 Washer8	1	55	1E34F-E-3	缸垫 Gasket	1	84	HA28-2	消音器护罩 Muffler Cover	1				
27	GB6170	螺母 M8×1 Nut M8×1	1	56	1E34F-2E-1	缸体 Cylinder	1	85	GB/T845	自攻螺钉 ST4.2×13 Screw ST4.2×13	2				
28	HA28.2.1.1	磁电机定子 IGNITION COIL COMP.	1	57	GB/T70.1	螺钉 M5×18 Screw M5×18	4	86	EB-415.4.2-4	透明塑料管 Fuel Pipe	1				
29	1E36F-2.3.1	停车线组 Cord Comp.	1	58	1E34F-E-8	进气管垫 Gasket	1	87	EB-415.4.2-2	油管塞 Plug	1				

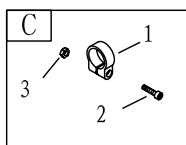
# BRUSHCUTTER MACHINE SPARE PARTS LIST BC28A



NO.	PART NO.	PART NAME	QTY.
A	CG415. 3	Gear Case Ass'y	
1	GB/T893. 2	Stop Ring 26	1
2	GB/T894. 1	Stop Ring 10	1
3	GB/T276	Bearing 6000-2RS/P6	1
4	GB/T276	Bearing 6000/P6	2
5	CG415D. 6-4	Pinion	1
6	GB/T70. 1	Screw M6×20	1
7	GB/T93	Washer 6	1
8	GB/T9074. 4	Screw M5×12	4
9	GB/T9074. 11	Bolt M6×12	1
10	BG305. 12. 4-4	Gear Case	1
11	BG330H. 7. 3-1	Safety Guard	1
12	BG-328. 9. 5-2	Gear	1
13	CG305F. 1-1	Gear Shaft	1
14	GB/T276	Bearing 6002-2RS/P6	1
15	GB/T893. 2	Stop Ring 32	1
16	BC34. 3-1	Holder A	1
17	CG305F. 1-3	Holder B	1
18	GB/T862. 1	Washer 10	1
19	CG305F. 1-4	Left Nut	1
20	GB/T91	Pin 2×16	1

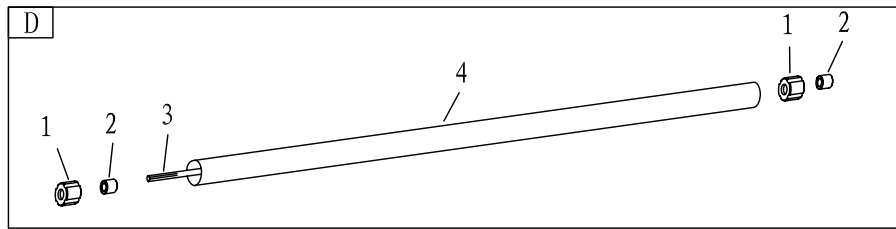


NO.	PART NO.	PART NAME	QTY.
B	CG245Q. 11	HANDLE	
1	BC36. 4-2+GB93+GB97	SCREW M5×35	4
2	CG245Q. 11-1	HANDLE	1
3	BG330-CE. 1-2-2012CE	RUBBER COVER	1
4	CG245Q. 11. 1	HANDLE COVER	1

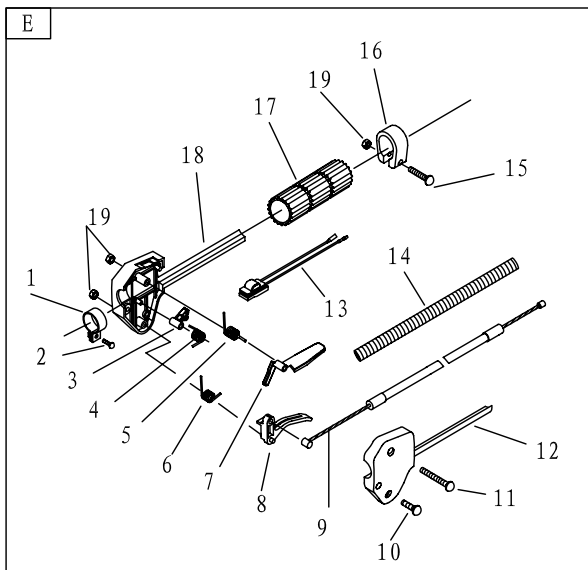


NO.	PART NO.	PART NAME	QTY.
C			
1	CG260. 3-1	Clamp	2
2	CG260. 3-2-2012CE	Screw M5×18	2
3	GB/T889. 1	Nut M5	2

# BRUSHCUTTER MACHINE SPARE PARTS LIST BC28A

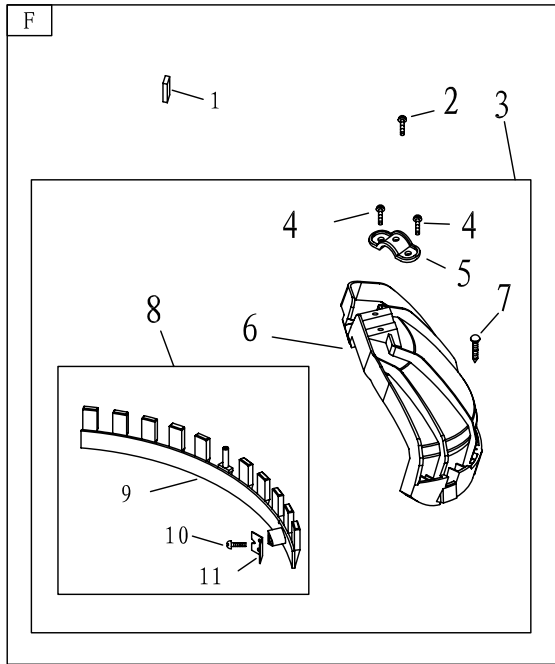


NO.	PART NO.	PART NAME	QTY.
D	BC28. 1	Pipe Comp.	1
1	BG-328. 9. 4-5	Rubber Cover	6
2	BG-328. 9. 4-4	Oil-bearing	6
3	CG40. 3-2	Drive Shaft	1
4	BC28. 1-1	Pipe	1

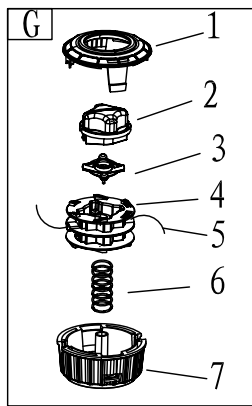


NO.	PART NO.	PART NAME	QTY.
E		Level Ass'y	1
1	CG305F. 13. 2	Clamp	1
2	GB/T9074. 4	Screw M5×16	1
3	CG305F. 13-10	Tine	1
4	CG305F. 13-11	Spring	1
5	CG305F. 13-9	Spring	1
6	CG305F. 13-1	Spring	1
7	CG305F. 13-8	Safety Lever	1
8	CG305F. 13-2	Throttle Lever	1
9	CG260. 2. 2E	Cable Comp.	1
10	GB/T9074. 4	Screw M5×25	2
11	GB/T9074. 4	Screw M5×35	1
12	CG305F. 13-3	Box, Left	1
13	CG260. 2. 1	Stop Switch	1
14	BG-328A-2	Tube	1
15	GB/T9074. 4	Screw M5×25	1
16	CG305F. 13-5	Clamp	1
17	CG305F. 13-6	Rubber Cover	1
18	CG305F. 13-4	Box, Right	1
19	GB/T889. 1	Nut M5	3

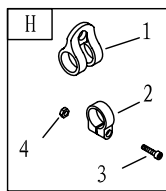
# BRUSHCUTTER MACHINE SPARE PARTS LIST BC28A



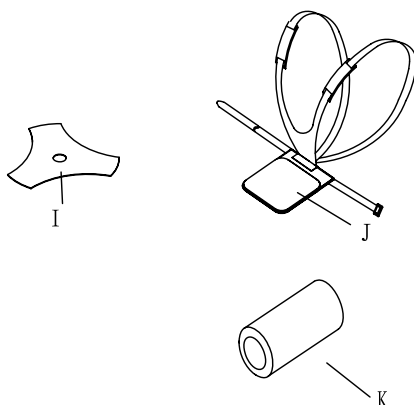
NO.	PART NO.	PART NAME	QTY.
F			
1	BC46-5	Blade Cover	1
2	GB/T70.1	BOLT M5*10	2
3	BC36.4	Guard Ass'y	1
4	BC36.4-2	Screw M5*12	2
5	BC36.4-1	SAFETY GUARD BRACKET	1
6	BC36.4.1	Safety Guard	1
7	GB/T845	Screw ST4.2×16	1
8	BC46.2.2	Guard Ass'y	1
9	CG420.7.1.1-1	Guard	1
10	GB/T845	Screw ST4.2×16	2
11	BC46.2.2-1	Blade	1



NO.	PART NO.	PART NAME	QTY.
G	BC36.5	Nylon Cutter Head	
1	BC36.5-2	CAP Rope Room	1
2	BC36.5-1	Bounce Object	1
3	BC36.5-3	Rope Cap	1
4	BC36.5-4	Rope Seat	1
5		Cord $\phi 2.0 \times 3100$	1
6	BC36.5-6	Spring	1
7	BC36.5.1	Rope Room	1



NO.	PART NO.	PART NAME	QTY.
H	CG260.3	Holder Ass'y	
1	CG260.3.1	Harness Clamp	1
2	CG260.3-1	Clamp	1
3	GB/T70.1	Screw M5×20	1
4	GB/T889.1	Nut M5	1



NO.	PART NO.	PART NAME	QTY.
I	CG420-2	Blade	1
J	CG260A-CE.1	Harness Ass'y	1
K	BC46-6	Bubble Jacket	1