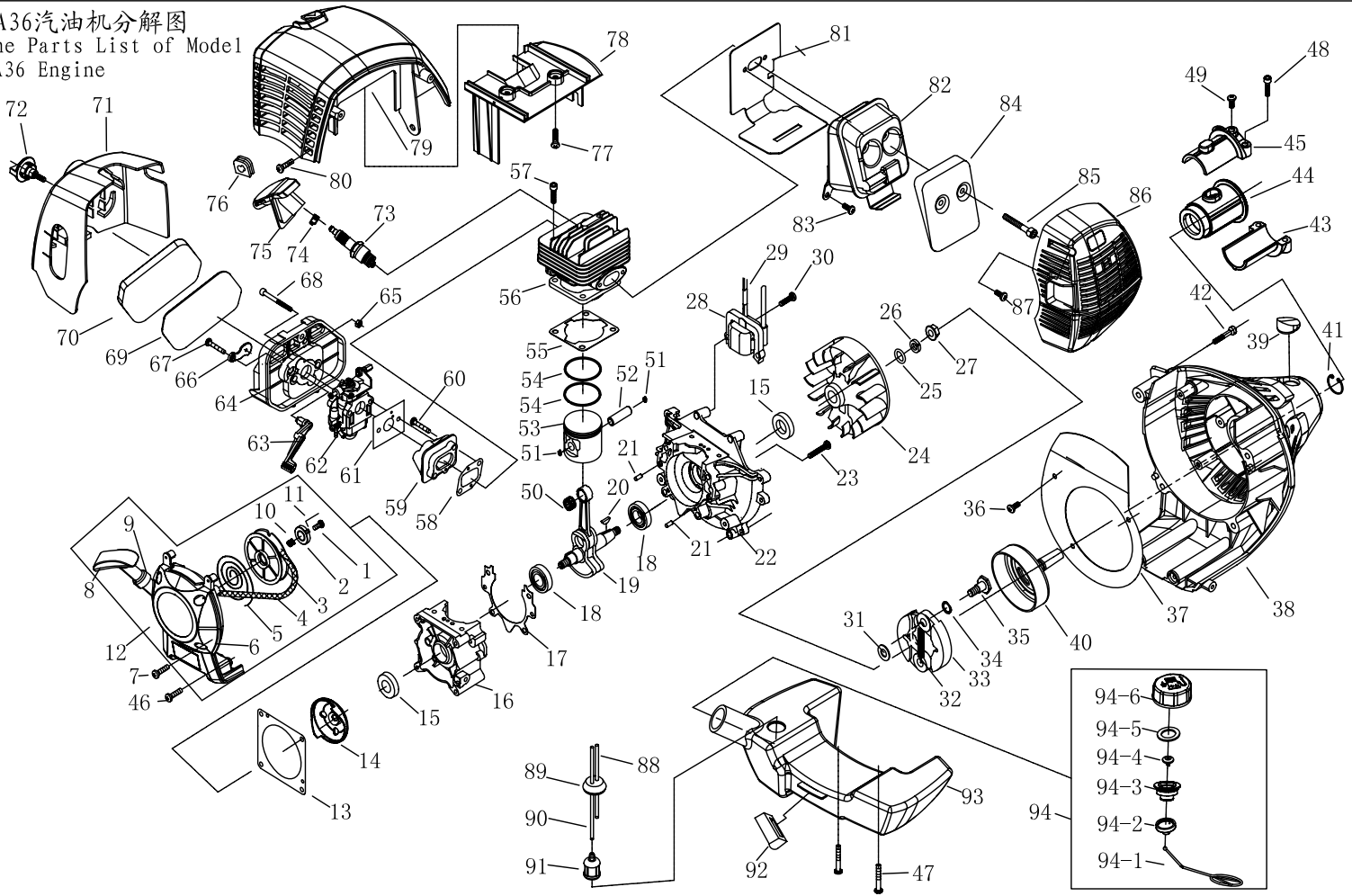
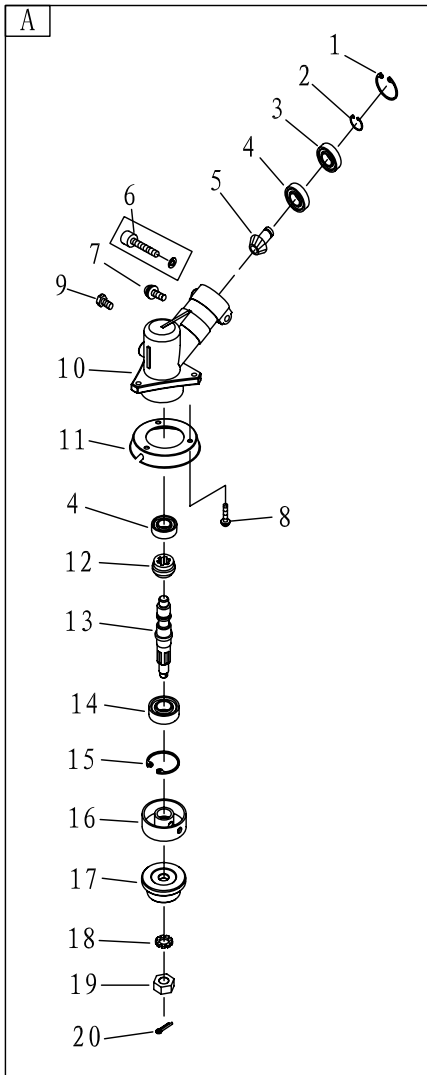


HA36汽油机分解图
The Parts List of Model
HA36 Engine

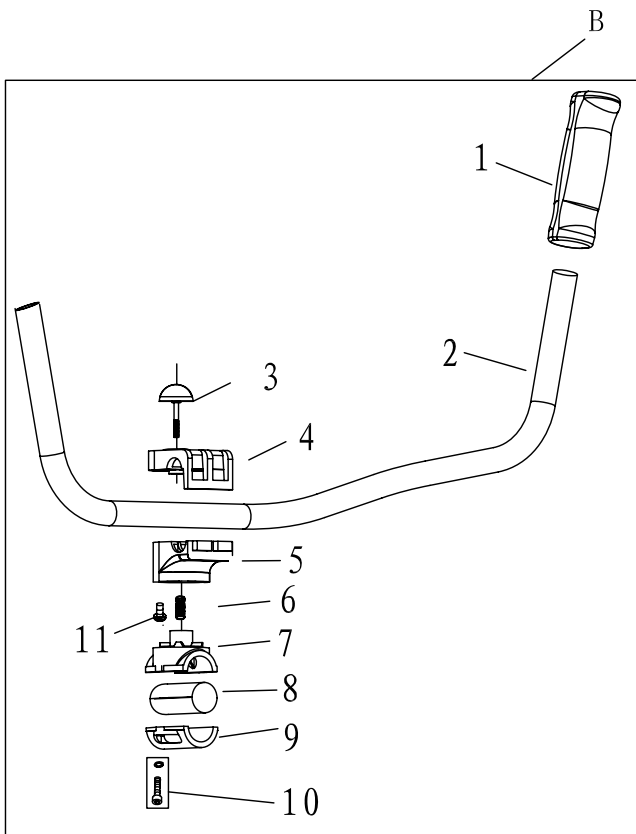


序号 NO.	代号 Part No.	名称 Part Name	数量 Qty.	序号 NO.	代号 Part No.	名称 Part Name	数量 Qty.	序号 NO.	代号 Part No.	名称 Part Name	数量 Qty.	序号 NO.	代号 Part No.	名称 Part Name	数量 Qty.
1	1E36FE. 9-3	螺钉 Screw	1	26	GB/T97. 1	垫圈8 Washer8	1	51	1E36F. 10-2	活塞销挡圈 Ring	2	76	1E40F-5. 3-1	胶塞 Plug	1
2	1E36FE. 9-4	起动机 Ratchet	1	27	GB/T6170	螺母 M8 Nut M8	1	52	1E36F. 10-1	活塞销 Piston Pin	1	77	GB/T845	螺钉 ST4. 2X9. 5 Screw ST4. 2X9. 5	2
3	1E36FE. 9-1	绳轮 Start Rope Reel	1	28	HA36-2. 4. 1. 1	磁电机定子 IGNITION COIL COMP.	1	53	1E36F-E. 4-1	活塞 Piston	1	78	HA36-2. 5-1	缸体隔板 Guide Clapboard	1
4	1E36FE. 9-5	起动机绳 Rope	1	29	1E34F. 5. 1C	停车线圈 Cord Comp.	1	54	1E36F. 10-3	活塞环 Piston Ring	2	79	HA36. 8-2	缸体护罩 Guide Cover	1
5	1E36FE. 9-7	起动机平簧 Recoil Spring	1	30	GB70. 1+GB93+GB97	螺栓组合件 M5×20 Bolt M5×20	2	55	1E36F-E-3	缸垫 Gasket	1	80	GB846	螺钉 ST2. 9X9. 5 Screw ST2. 9X9. 5	2
6	HA36. 6-1	起动机壳体 Start Cover Ass'y	1	31	1E36F-3	垫圈B WasherB	2	56	1E36F-2E-1	缸体 Cylinder	2	81	HA36-1	消音器垫 Gasket	1
7	GB70. 1+GB93+GB97	螺钉组合件 M5×16 Screw M5×16	4	32	1E36F-E. 6B-1	拉簧 Spring	1	57	GB/T70. 1	螺钉 M5×18 Screw M5×18	4	82	HA36. 1	消音器 Muffler	1
8	CG520-HL. 5-1	起动手把 Start Handle	1	33	1E36F-2C. 4. 1	涨紧块 Expander	2	58	1E36F-E-8	进气管垫 Gasket	1	83	GB70. 1+GB93+GB97	螺钉组合件M5×12 Screw M5×12	1
9	HA36. 6-2	导向套 Ring	1	34	1E40F-5-11	波形垫圈 Washer	2	59	HA36-3	进气管 Admitting Pipe	1	84	1E36F-2E-3	隔热罩 Cover	1
10	1E36FE. 9-6	压簧 Spring	1	35	P40-18	螺钉轴 Screw Pin	2	60	GB70. 1+GB93+GB97	螺钉组合件 M5×20 Screw M5×20	2	85	GB70. 1+GB97	螺钉组合 M5×60-12. 9 Screw M5×60-12. 9	2
11	1E36FE. 9-2	起动机扳 Start pole	2	36	GB/T845	螺钉 ST4. 2X9. 5 Screw ST4. 2X9. 5	3	61	1E36F-E-11	化油器垫 Gasket	1	86	HA36-2	消音器护罩 Muffler Cover	1
12	HA36. 6	起动机 Starter	1	37	HA36. 3-1	引风板 Shutterer	1	62	1E34F-2E. 1A-GGP	化油器 Carburetor	1	87	GB/T845	自攻螺钉 ST4. 2×13 Screw ST4. 2×13	3
13	1E40F-3D-3	防尘垫 Gasket	1	38	HA36. 3. 1	连接盘 Clutch Case	1	63	HA36. 4. 1-3	阻风门手柄 Choker Handle	1	88	EB-415. 4. 2-4	透明塑料管 Fuel Pipe	0. 06
14	1E36FE. 7	起动机盘 Start Reel	1	39	HA36. 3-2	堵头 Stoppie	1	64	HA36. 4. 1-1	空滤器内罩 Cleaner inside cover	1	89	EB-415. 4. 2-2	油管塞 Plug	1
15	1E36F. 2	小油封 Oil-seal	2	40	HA36. 3. 2	被动盘焊合 Clutch Drum Comp.	1	65	GB/T6170	螺母 M4 Nut M4	1	90	CG420. 1. 3. 2-2	透明塑料管 Fuel Pipe	0. 125
16	1E36F-E. 8-2	后半曲轴箱 Crank Case	1	41	GB/T894. 1	挡圈15 Stop Ring 15	1	66	HA36. 4. 1-2	阻风门 CHOKER	1	91	P40. 12. 2-3A	燃油过滤器 Cleaner Cover	1
17	1E36F-2. 6-3	曲轴箱密封垫 Gasket	1	42	GB70. 1+GB93+GB97	螺钉组合 M5×16 Screw M5×16	4	67	GB/T846	自攻螺钉 ST4. 2×13 Screw ST4. 2×13	1	92	1E40F-5A-2	橡胶套 Rubber Cover	1
18	GB/T276	轴承 6201/P6 Bearing 6201/P6	2	43	CG305F-HS. 1-2	半圆夹板B Clamp B	1	68	GB/T70. 1	螺钉组合件 M5×55 Screw M5×55	2	93	HA36. 7. 1	油箱 Fuel Tank	1
19	1E36F-E. 4. 1	曲轴连杆组 Crank Shaft	1	44	CG305F-HS. 1-3	减振套 Rubber Cover	1	69	HA36. 4-3	滤芯挡板 Filter Net Shutterer	1	94	1E32FL. 6. 2	油箱盖组合 Lid Ass'y	1
20	GB/T1099	半圆键 3×5×13 Key 3x5x13	1	45	CG305F-HS. 1-1	半圆夹板A Clamp A	1	70	HA36. 4-2	滤芯 Filter Net	1	94-1	1E32FL. 6. 2-4	防脱链 Chain	1
21	GB/T119	销 B4×10 Pin B4×10	4	46	GB/T845	螺钉 ST4. 2×16 Screw ST4. 2×16	2	71	HA36. 4-1	空滤器外罩 Cleaner Outside Cover	1	94-2	1E32FL. 6. 2-3	端盖 End Cover	1
22	HA36. 5-1	前半曲轴箱 Crank Case	1	47	GB70. 1+GB93+GB97	螺钉组合件 M5×16 Screw M5×16	2	72	HA28L. 1. 1	大头螺钉 Screw	1	94-3	1E32FL. 6. 2-2	油箱内盖 Inside Cover	1
23	GB/T70. 1	螺钉 M5×30 Screw M5×30	4	48	GB70. 1+GB93+GB97	螺钉 M5×25 Screw M5×25	2	73	L8RTC	火花塞 Spark Plug	1	94-4	EB-415. 4. 1. 1-1	进气嘴 Inlet	1
24	1E36F-2E. 2. 1. 1	磁电机转子 MAGNETO ROTOR COMP.	1	49	GB70. 1+GB93+GB97	螺钉组合件M5×16 Screw M5×16	1	74	1E40F-3A. 8-2	火花塞卡簧 Spring	1	94-5	CG420. 1. 3. 1-2	密封垫 Gasket	1
25	GB/T859	垫圈8 Washer8	1	50	1E36F-2. 4. 1	小头滚针轴承 Bearing	1	75	HA36. 2. 1-1	高压帽 Cap	1	94-6	1E32FL. 6. 2-1	油箱盖 Fuel Tank Lid	1

BRUSHCUTTER MACHINE SPARE PARTS LIST BC36

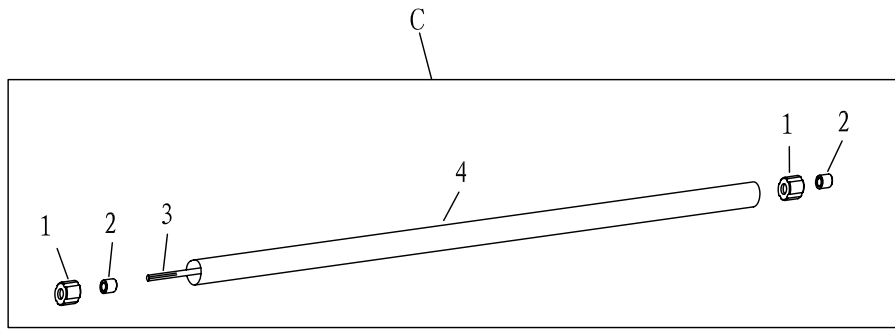


NO.	PART NO.	PART NAME	QTY.
A	CG415. 3	Gear Case Ass'y	
1	GB/T893. 2	Stop Ring 26	1
2	GB/T894. 1	Stop Ring 10	1
3	GB/T276	Bearing 6000-2RS/P6	1
4	GB/T276	Bearing 6000/P6	2
5	CG415D. 6-4	Pinion	1
6	GB/T70. 1+GB/T93	Screw M5×20	1
7	GB/T70. 1+GB/T93+GB/T97	Screw M5×12	1
8	GB/T9074. 4	Screw M5×12	3
9	GB/T9074. 11	Bolt M5×12	1
10	BG305. 12. 4-4	Gear Case	1
11	BG330H. 7. 3-1	Safety Guard	1
12	BG-328. 9. 5-2	Gear	1
13	CG305F. 1-1	Gear Shaft	1
14	GB/T276	Bearing 6002-2RS/P6	1
15	GB/T893. 2	Stop Ring 32	1
16	BG305. 12. 4-5	Holder A	1
17	CG305F. 1-3	Holder B	1
18	GB/T862. 1	Washer 10	1
19	CG305F. 1-4	Left Nut	1
20	GB/T91	Pin 2×16	1

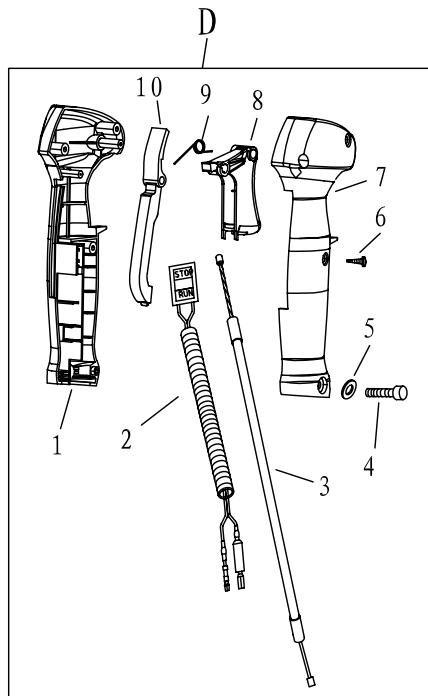


NO.	PART NO.	PART NAME	QTY.
B			
1	BC36-8	Rubber Ringer	1
2	BC36-6	HANDGRIP	1
3	BC36. 2A	Lock Bolt	1
4	BC36-5A	CAP, UPPER	1
5	BC36-3A	BRACKET	1
6	BC36-4	Spring	1
7	BC36-2A	Eddy Seat	1
8	BC36-10	Damping Cushion	1
9	BC36-1	CAP, Lower	1
10	BC36. 4-2+GB93	Screw M5*20	2
11	BC36-SB-1	Screw M5*10	1

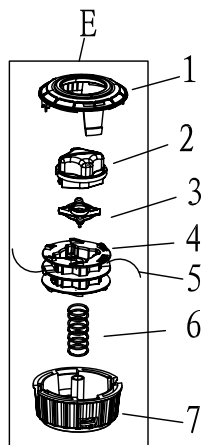
BRUSHCUTTER MACHINE SPARE PARTS LIST BC36



NO.	PART NO.	PART NAME	QTY.
C	BC36. 1	Pipe Comp.	1
1	BG-328. 9. 4-5	Rubber Cover	6
2	BG-328. 9. 4-4	Oil-bearing	6
3	CG40. 3-2	Drive Shaft	1
4	BC36. 1-1	Pipe	1

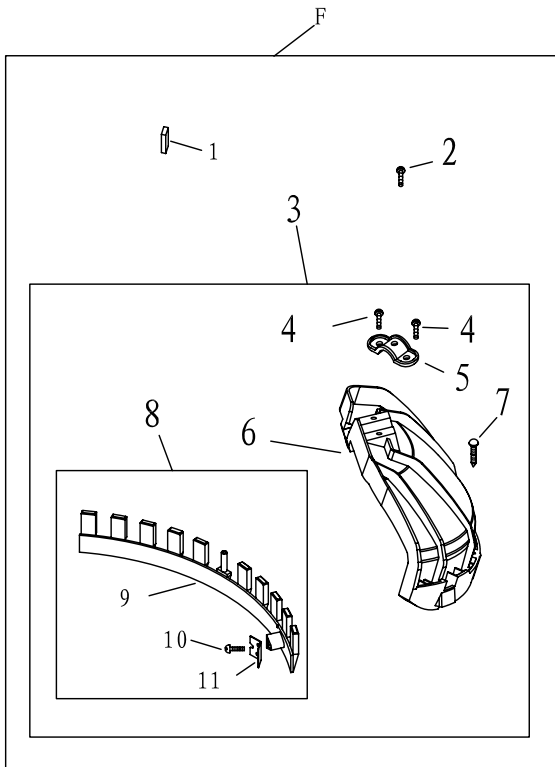


NO.	PART NO.	PART NAME	QTY.
D	BC36. 3	Lever Ass'y	
1	BC36. 3. 3	Box, Left	1
2	BC36. 3. 1	Stop Button Comp.	1
3	BC36. 3. 2	Cable Comp.	1
4	GB/T818	BOLT M5*30	1
5	GB/T848	WASHER 5	1
6	GB/T845	BOLT ST3. 5*13	4
7	BC36. 3-1	Box, Right	1
8	BC36. 3-6	Handgrip	1
9	BC36. 3-5	Spring	1
10	BC36. 3-3	HANDGRIP	1

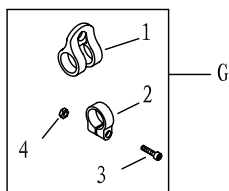


NO.	PART NO.	PART NAME	QTY.
E	BC36. 5	Nylon Cutter Head	
1	BC36. 5-2	CAP Rope Room	1
2	BC36. 5-1	Bounce Object	1
3	BC36. 5-3	Rope Cap	1
4	BC36. 5-4	Rope Seat	1
5		Cord $\phi 2.0 \times 3100$	1
6	BC36. 5-6	Spring	1
7	BC36. 5. 1	Rope Room	1

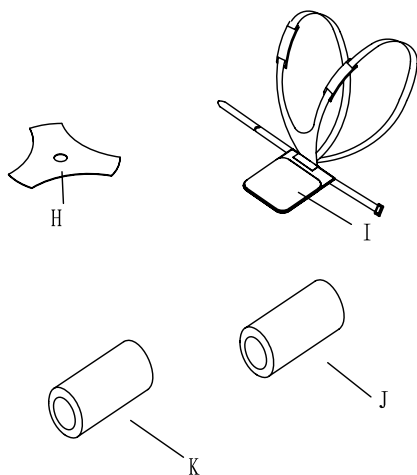
BRUSHCUTTER MACHINE SPARE PARTS LIST BC36



NO.	PART NO.	PART NAME	QTY.
F			
1	BC46-5	Blade Cover	1
2	GB/T70.1	BOLT M5*10	2
3	BC36.4	Guard Ass'y	1
4	BC36.4-2	Screw M5*12	2
5	BC36.4-1	SAFETY GUARD BRACKET	1
6	BC36.4.1	Safety Guard	1
7	GB/T845	Screw ST4.2×16	1
8	BC46.2.2	Guard Ass'y	1
9	CG420.7.1.1-1	Guard	1
10	GB/T845	Screw ST4.2×16	2
11	BC46.2.2-1	Blade	1



NO.	PART NO.	PART NAME	QTY.
G	CG260.3	Holder Ass'y	
1	CG260.3.1	Harness Clamp	1
2	CG260.3-1	Clamp	1
3	GB/T70.1	Screw M5×20	1
4	GB/T889.1	Nut M5	1



NO.	PART NO.	PART NAME	QTY.
H	CG420-2	Blade	1
I	CG260A-CE.1	Harness Ass'y	1
J	BC46-7	Bubble Jacket A	1
K	BC46-6	Bubble Jacket	1