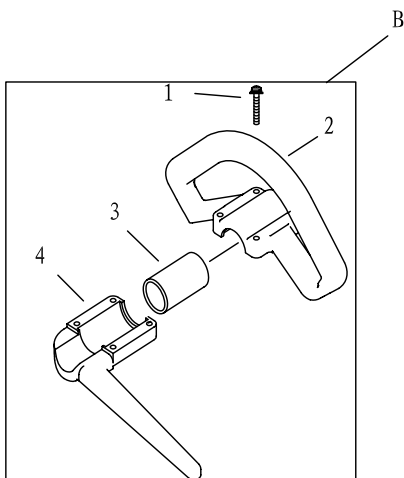
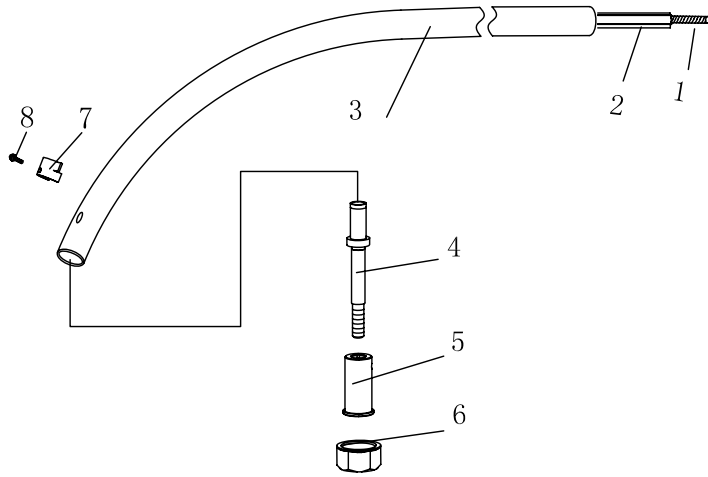


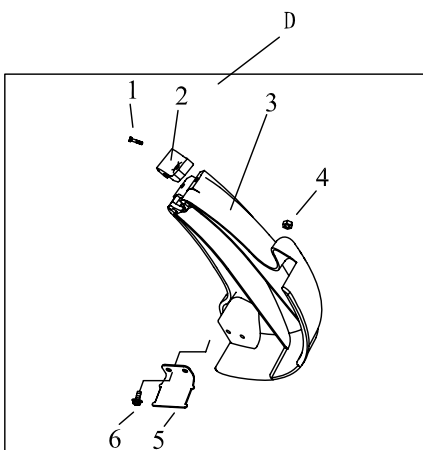
NO.	PART NO.	PART NAME	QTY.	NO.	PART NO.	PART NAME	QTY.
A	CG260E. 1A	Clutch Comp.	1	7	GB/70+GB93+GB97	Screw M5×16	1
1	CG260A. 1A. 1	Clutch Drum Comp.	1	8	GB/70+GB93+GB97	Screw M5×25	2
2	GB/T893. 1	Stop Ring 35	1	9	GB/70+GB93+GB97	Screw M6×20	4
3	GB/T276	Bearing 6202-2RZ/P6	1	10	CG260E. 1A-1	Clamp B	1
4	GB/T894. 1	Stop Ring 15	1	11	CG260E. 1A-2	Clamp A	1
5	CG261. 1-1	Linker	1	12			
6	CG260E. 1A-3	Rubber Cover	1	13			



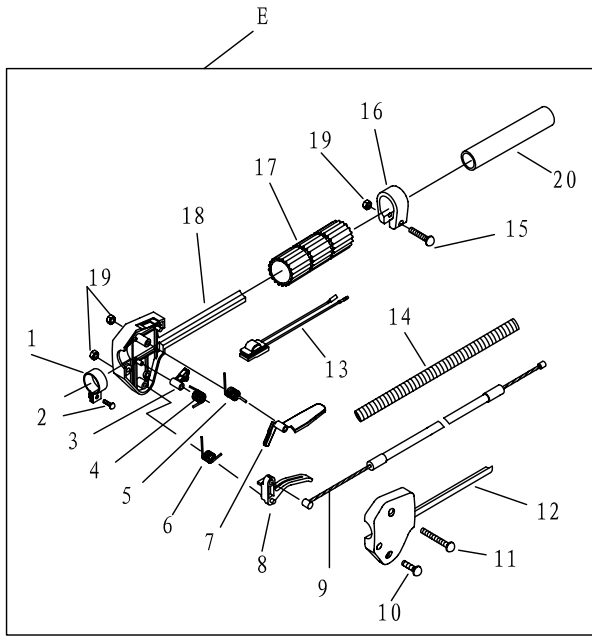
NO.	PART NO.	PART NAME	QTY.
B	CG260E-CE. 2	Handle Ass'y	
1	1E40F-5A-CE-4	SCREW M5×30	4
2	CG245Q. 11-1	HANDLE	1
3	CG260E-CE. 2-1	RUBBER COVER	1
4	CG245Q. 11. 1	HANDLE COVER	1



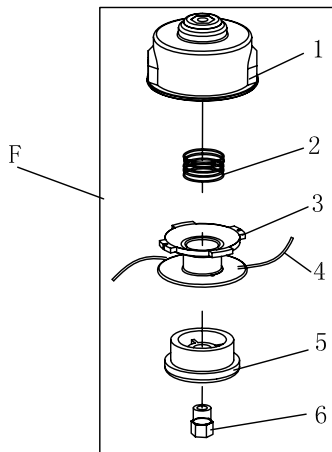
NO.	PART NO.	PART NAME	QTY.
C		Pipe Ass'y	1
1	CG260E-CE. 1.1	Flexible Shaft	1
2	CG260E-CE. 1-1	Bracket	1
3	CG260E. 1-1	Pipe	1
4	CG230E. 2-3	Screw	1
5	CG230E. 2-4	Cover	1
6	CG230E. 2-5	Nut	1
7	CG230E-3	Bracket	1
8	GB/T9074. 4	Screw M5×10	1



NO.	PART NO.	PART NAME	QTY.
D	CG260E-CE. 3	Guard Ass'y	1
1	1E40F-5A-CE-4	Screw M5×25	2
2	CG260E-6	Holder	1
3	CG260E-5	Safety Guard	1
4	GB/T889. 1	Nut M5	4
5	CG305F. 11-1	Blade	1
6	GB/T9074. 4	Screw M5×16	2

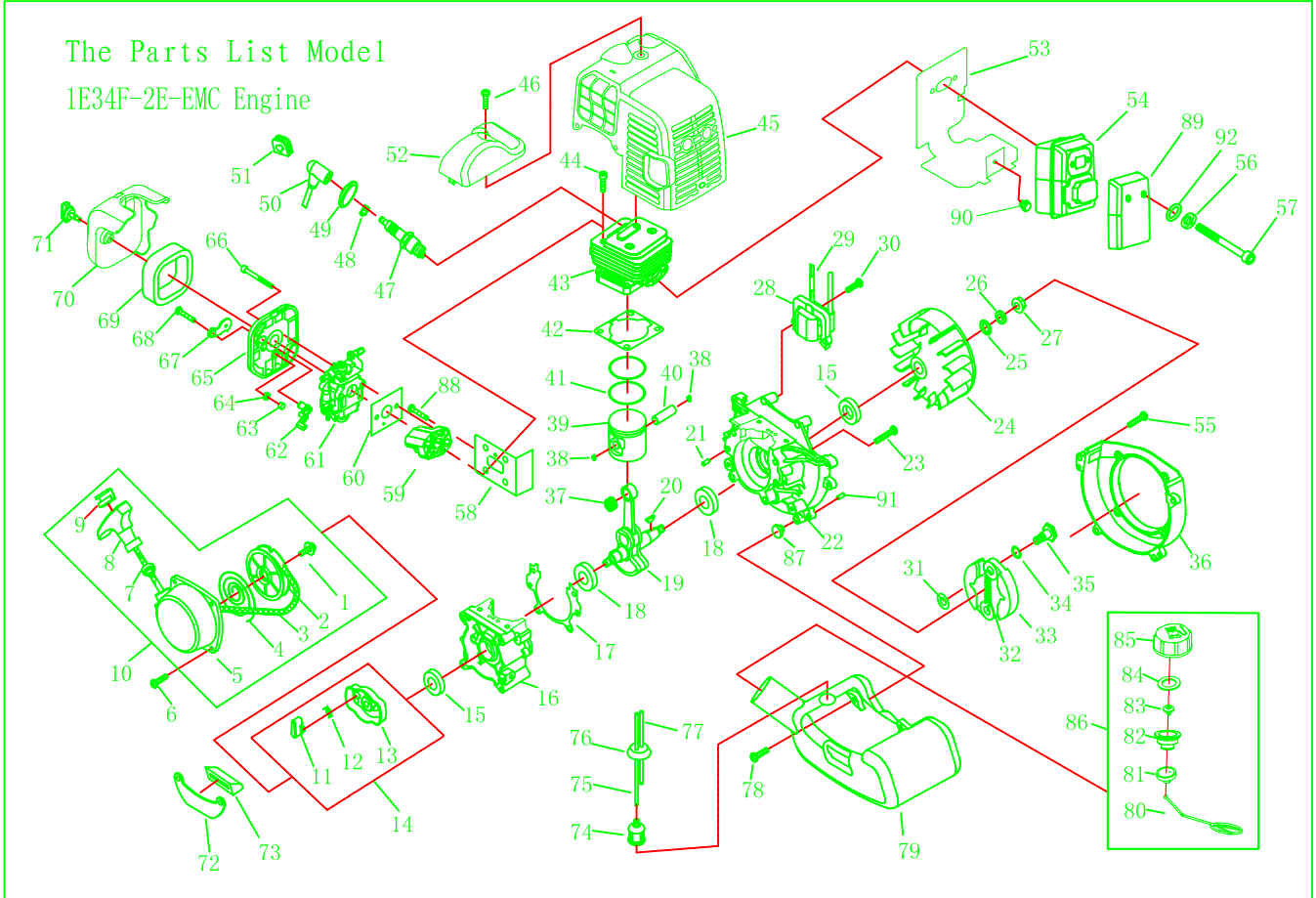


NO.	PART NO.	PART NAME	QTY.
E		Level Ass'y	1
1	CG305F. 13. 2	Clamp	1
2	GB/T9074. 4	Screw M5×16	1
3	CG305F. 13-10	Tine	1
4	CG305F. 13-11	Spring	1
5	CG305F. 13-9	Spring	1
6	CG305F. 13-1	Spring	1
7	CG305F. 13-8	Safety Lever	1
8	CG305F. 13-2	Throttle Lever	1
9	CG260. 2. 2C	Cable Comp.	1
10	GB/T9074. 4	Screw M5×25	2
11	GB/T9074. 4	Screw M5×35	1
12	CG305F. 13-3	Box, Left	1
13	CG260. 2. 1	Stop Switch	1
14	BG-328A-2	Tube	1
15	GB/T9074. 4	Screw M5×25	1
16	CG305F. 13-5	Clamp	1
17	CG305F. 13-6	Rubber Cover	1
18	CG305F. 13-4	Box, Right	1
19	GB/T889. 1	Nut M5	3
20	CG260E-2	Bush	1



NO.	PART NO.	PART NAME	QTY.
F	CG230E. 3	Nylon Cutter Head	1
1	CG230E. 3. 1	Roper Holder	1
2	CG230E. 3-3	Spring	1
3	CG230E. 3-2	Rope Support	1
4		Nylon Rope $\phi 1.8 \times 2500$	2
5	CG230E. 3. 2	Case	1
6	CG230E. 3. 1-1	NUT M8	1

The Parts List Model 1E34F-2E-EMC Engine



1E34F-2E GASOLINE ENGINE (1) 1E34F-2E GASOLINE ENGINE (2)

NO.	Part No.	Part Name	Qty.	NO.	Part No.	Part Name	Qty.	NO.	Part No.	Part Name	Qty.	NO.	Part No.	Part Name	Qty.
1	GB/T9074.6	Screw M5×10	1	24	1E34F-2E-EMC.1.2	MAGNETO ROTOR COMP.	1	47	BPMR7A	Spark Plug	1	70	1E34F.1-4	Cleaner Outside Cover	1
2	1E34F.11-2	Start Rope Reel	1	25	GB/T859	Washer 8	1	48	1E40F-3A.8-2	Spring	1	71	1E34F.1.2	Screw	1
3	1E34F.11-3	Rope	1	26	GB/T97.1	Washer 8	1	49	1E34F.5-3	Plug Cap	1	72	1E34F-E-6	Stand	1
4	1E34F.11-1	Recoil Spring	1	27	GB/T6171	Nut M8×1	1	50	1E34F-E.3-1	Cap	1	73	1E31F-4	Rubber Cover	1
5	1E34F.11.1	Start Cover Ass'y	1	28	1E34F-2E-EMC.1.1	IGNITION COIL COMP.	1	51	1E40F-5.3-1	Plug	1	74	1E34F.9.2-3A	Cleaner Cover	1
6	GB/T9074.4	Screw M4×16	4	29	1E36F-2.3.1	Cord Comp.	1	52	1E34F-E-4	Cover	1	75	1E34F.9.2-2	Fuel Pipe	1
7	1E34F.11.1-1	Guide Bushing	1	30	GB9074.13	Screw M5×20	2	53	1E34F-E-2	Gasket	1	76	1E36FF.8.1-1	Plug	1
8	1E36F.1-1	Start Handle	1	31	1E34F-11	Washer	2	54	1E34F-2E.2	Muffler	1	77	GB/T13527.1	Fuel Pipe IS-3×1×85	1
9	1E36F.1-5	Resist Gasket	1	32	1E34F.10-1	Spring	1	55	GB/T9074.13	Screw M5×16	4	78	GB/T9074.4	Screw M5×16	2
10	1E34F.11G	Starter	1	33	1E34F.10.1	Expander	2	56	GB/T93	Washer 5	2	79	1E31FE.8-1	Fuel Tank	1
11	1E34F.8-1	Start pole	1	34	1E34F-13	Spring	2	57	GB/T70.1	Screw M5×55	2	80	1E32FL.6.2-4	Chain	1
12	1E34F.8-2	Spring	1	35	1E34F-12	Screw Pin	2	58	1E34F-E-8	Gasket	1	81	1E32FL.6.2-3	End Cover	1
13	1E34F.8.1	Start Reel	1	36	1E31FE-HS-3	Fan Cover	1	59	1E34F-E.8	Admitting Pipe	1	82	1E32FL.6.2-2	Inside Cover	1
14	1E34F.8	Start Reel Ass'y	1	37	1E31F.4.1	Bearing	1	60	1E36F-E-11	Gasket	1	83	EB-415.4.1.1-1	Inlet	1
15	1E36F.2	Oil-seal	2	38	1E34F.6-2	Ring	2	61	1E34F-2E.1A	Carburetor	1	84	CG420.1.3.1-2	Gasket	1
16	1E34F-E.6-1	Crank Case	1	39	1E34F-E.4-1	Piston	1	62	1E34F.1-2	Choker Handle	1	85	1E32FL.6.2-1	Fuel Tank Lid	1
17	1E34F-E.6-2	Gasket	1	40	1E34F.6-3	Piston Pin	1	63	1E34F.1-7	Stop ring	1	86	1E32FL.6.2	Lid Ass'y	1
18	GB/T276	Bearing 6001/PS	2	41	1E34F.6-5	Piston Ring	2	64	GB/T6170	Nut M4	1	87	1E40F-5A-3	Rubber washer	2
19	1E34F-E.4.1	Crank Shaft	1	42	1E34F-E-3	Gasket	1	65	1E34F.1.1	Cleaner inside cover	1	88	GB/T9074.4	Screw M5×25	2
20	1E40FP-3Z.3-1	Key 3x5x13	1	43	1E34F-2E-1	Cylinder	1	66	GB/T9074.4	Screw M5×55	2	89	1E34F-E-7	Cover	1
21	GB/T119.2	Pin B3×10	2	44	GB/T70.1	Screw M5×20	4	67	1E34F.1-3	CHOKER	1	90	GB/T9074.4	Screw M4×8	1
22	1E34F-E.6-3	Crank Case	1	45	1E34F-E.5	Guide Cover Ass'y	1	68	GB/T845	Screw ST4.2×12-F-H	1	91	GB/T119.2	Pin B4×10	2
23	GB/T70.1	Screw M5×30	4	46	GB/T9074.4	Screw M5×16	1	69	1E34F.1-1	Filter Net	1	92	GB/T97.1	Washer 5	2