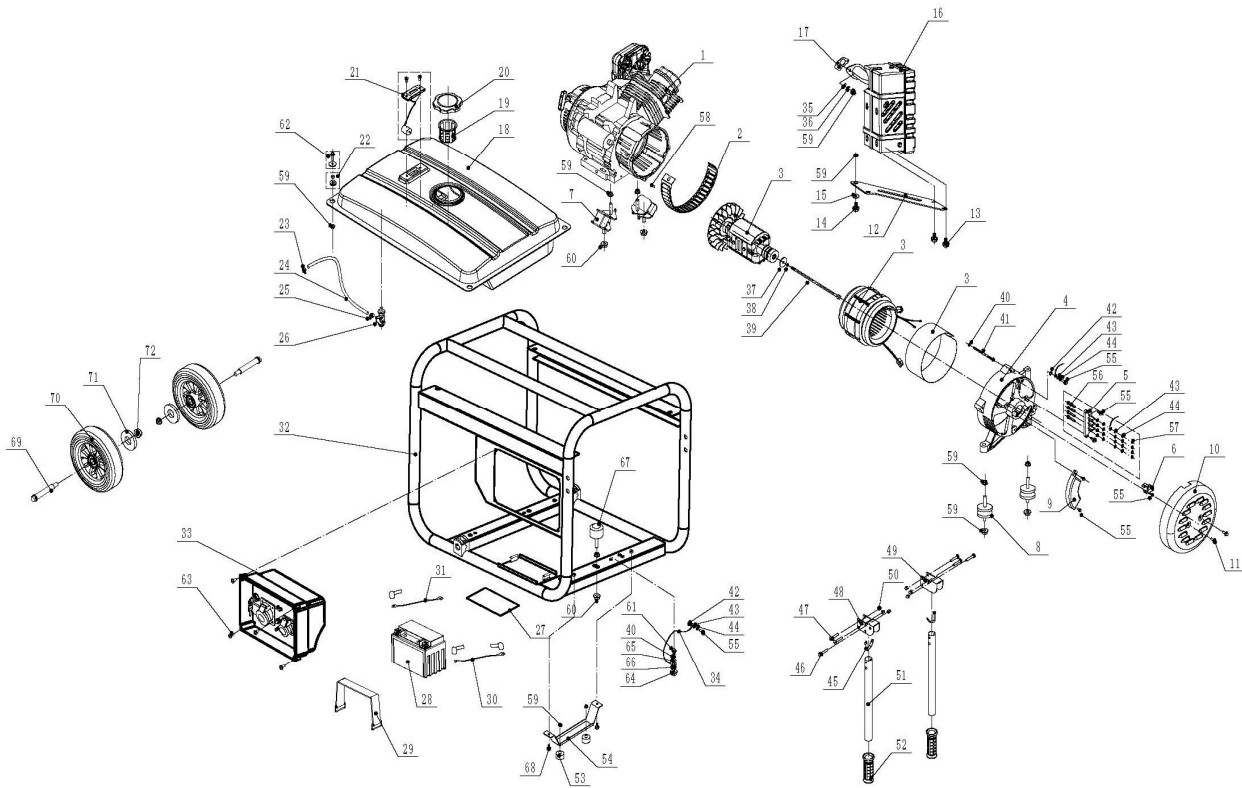


# GG6200E+B+W:UK: Doyles Wholesale(02541000030)



No.:02541000030

序号	编号	英文名称	数量
NO.	CODE	DESCRIPTION	QTY.
01	012320000001	UP190 Engine	1
02	029990000703		1
03	3VDJ221301	5.0KW alternator aluminum	1
04	029030400306	190 rear end cover	1
05	029030500101	Wire fasten connection	1
06	029030700200	carbon brush	1
07	029910300301	3#amount vibration	2
08	029910301601	16#amount vibration	2
09	029030620201	5KW AVR	1
10	029030300314	190 rear end cover guard	1
11	511050501001	flange bolt M5*10	2
12	029840201100	8kw muffler bracket	1
13	511050601201	flange bolt M6*12	2
14	511050804001	flange bolt M8*40	1
15	513040800000	flat washer 8	1
16	029041600201	8kw muffler	1
17	029049910600	muffler gasket 6	2

18	029010500102	25L fuel tank	1
19	029019900602	fuel tank filter cup	1
20	029019901102	fuel tank cap	1
21	029019930000	oil distick	1
22	029019910001	Shock absorption	4
23	029019900408	clamp $\phi$ 7	1
24	029019900100	oil pipe $\phi$ 4.5mm	0.2
25	029019900401	clamp $\phi$ 8	1
26	02901990070904	oil switch	1
27	029961300200	rubber for battery	1
28	029960200100	Battery 12AH	1
29	029961001802	rubber for battery	1
30	029969900231	battery wire (black)	1
31	029969900260	battery wire (red)	1
32	022411100031	Frame (PT1655C orange)	1
33	029021710059	control panel	1
34	029930000801	grounding wire $\phi$ 6+ $\phi$ 6	1
35	513010800001	flat wahser 8	4
36	513020800002	spring washer 8	4
37	513041000006	flat wahser 10	1
38	513021000002	spring washer10	1
39	511011025501	flange bolt M10X255	1
40	513020600002	spring washer10	5
41	511050617001	flange bolt M6X170	4
42	513030500000	external tooth lock washer $\phi$ 5	2
43	513010500001	flat wahser 5	8
44	513020500000	spring washer5	5
45	029050600101	flange bolt M8X14	2
46	511050804505	flange bolt M8X45	2
47	511160804505	nut M8*45	4
48	029050601304	left handling support	1
49	029050601404	right handling support	1
50	512120800005	nut8	6
51	029050601504	Handle	2
52	029050400602	Handle cover	2
53	029050400301	foot pad	2
54	029050400401	support for foot pad	1
55	511050501601	flange bolt M5X16	8
56	511140502000	flange bolt M5X20	3
57	512010500001	nut M5	6
58	511050501201	flange bolt M5X12	1
59	512040800001	nut M8	13
60	512041000000	nut M10	4
61	511050601401	flange bolt M6X14	3
62	510050802501	flange bolt M8X25	4
63	517050401204	screw ST4.2X12	4

64	512040600001	nut M6	1
65	513010600001	flat wahser 6	1
66	513030600000	external tooth lock washer $\Phi 6$	1
67	029911300102	cushion for alternator rear cover	1
68	511050801601	flange bolt M8*16	2
69	029050412000	120axle	2
70	029050400100	8" wheels	2
71	513011600001	flat wahser 6	2
72	512071200000	nut M12	2