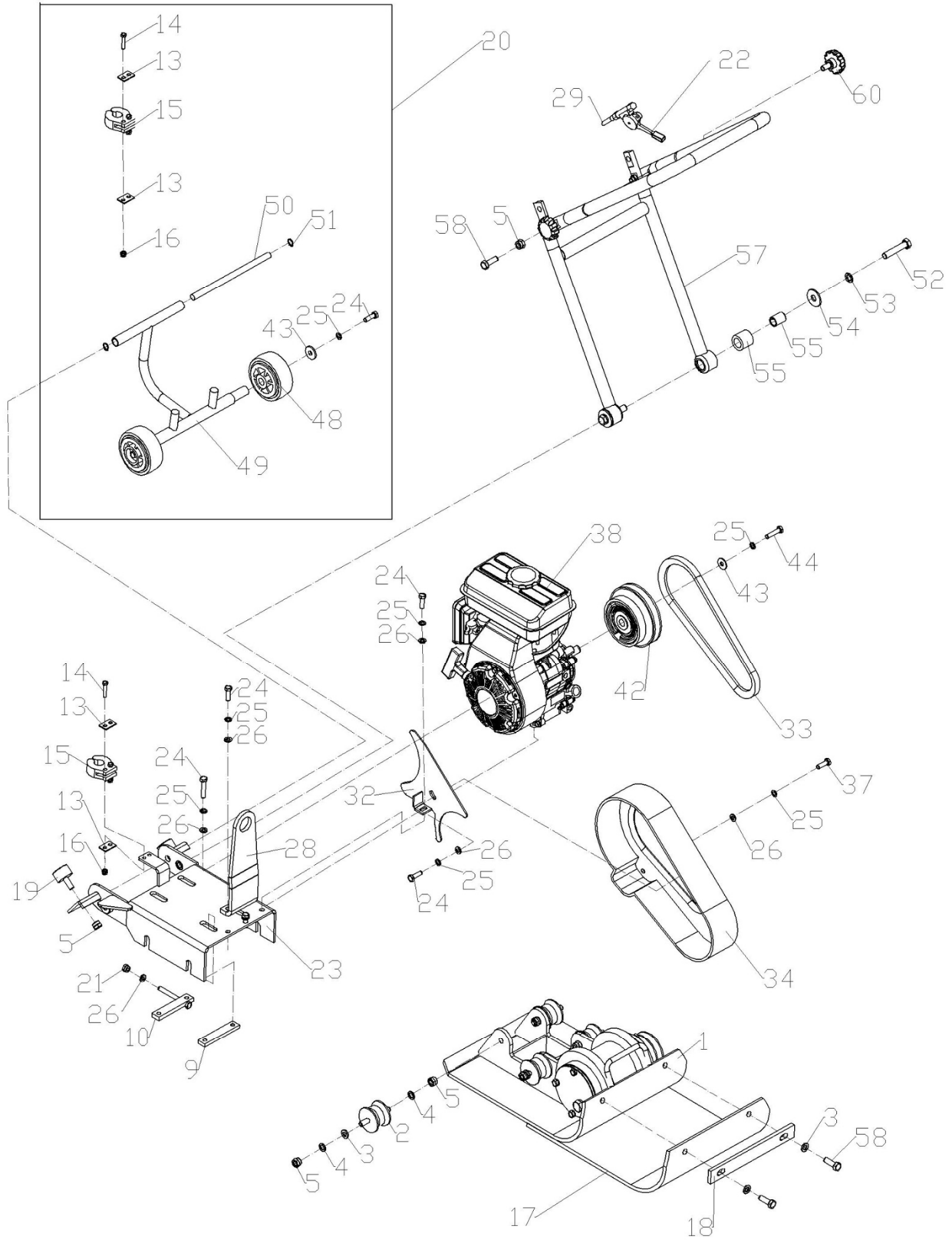


PARTS MANUAL PLATE COMPACTOR MS50





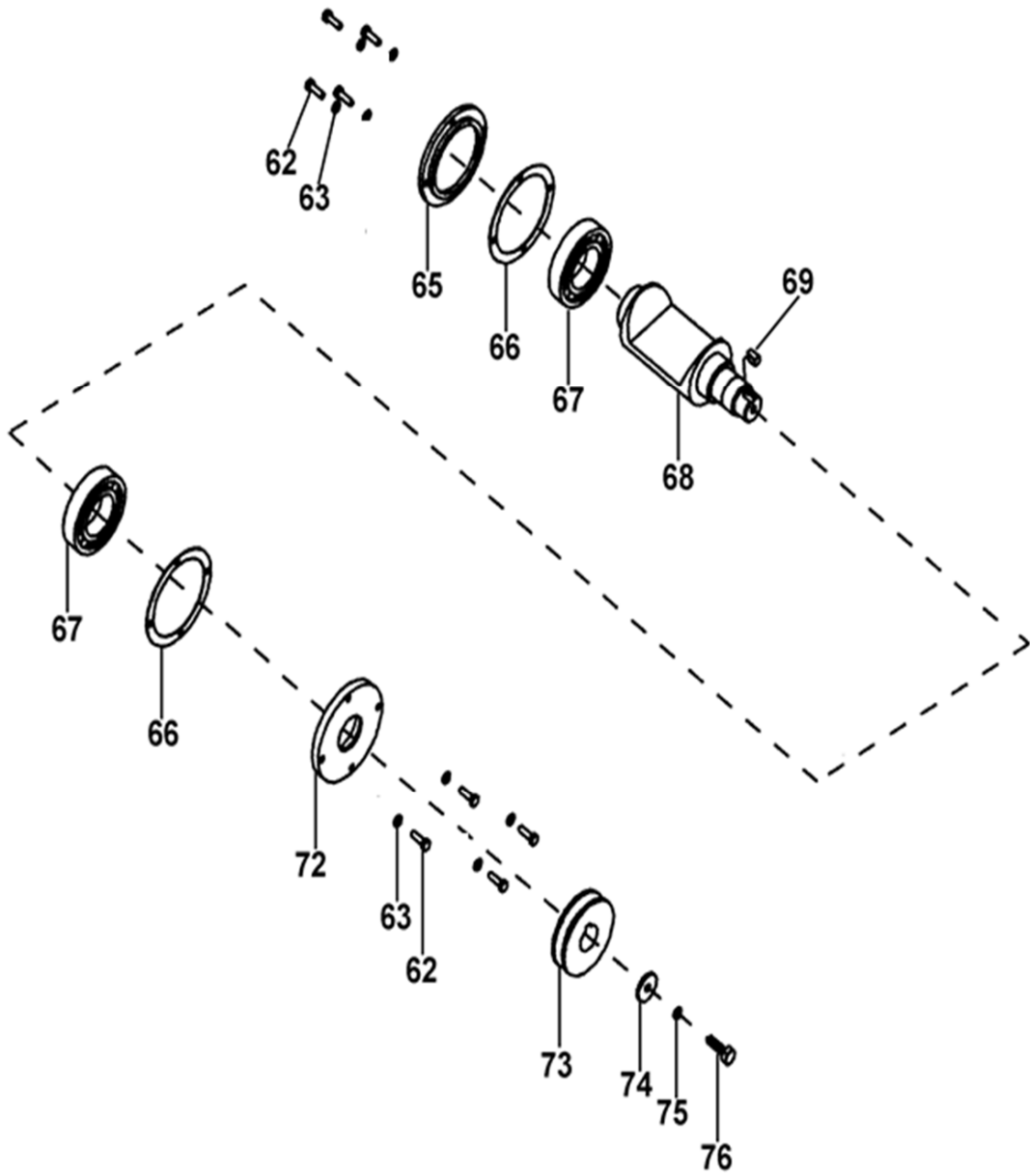
MS50 PARTS LIST 1

MS50 PARTS LIST 1

ITEM NO.	PART NO.	DESCRIPTION	QTY	REMARK
1	Z500100001-A	BASE PLATE	1	
2	Z500100002	VIBRATION DAMPER	4	
3	T95-1985-10	WASHER 10	6	
4	T93-1987-10	SPRING WASHER 10	6	
5	T41-1986-M10	NUT M10	6	
9	Z500100003	FIX STRIP FOR ENGINE	1	
10	Z500100004	FIX STRIP FOR ENGINE (INC. BOLT)	1	
13	Z500100005-A	WASHER	2	
14	T5782-1997-M6X30	BOLT M6X30	2	
15	Z500100006-A	RUBBER CLIP	1	
16	T41-1997-M6	NUT M6	2	
17	Z500100029	RUBBER MAT	1	
18	Z500100030	FIX STRIP (OPTIONAL)	1	
19	Z500100007	SMALL RAM	2	
20	Z500100031	TROLLEY WHEEL ASSY.	1	20 (13-16,24-25,43,48-51)
21	T41-1986-M8	NUT M8	3	
22	Z500100032	THROTTLE CONTROL LEVEL	1	
23	Z500100008	ENGINE MOUNTING PLATE	1	
24	T5782-1986-M8X25	BOLT M8X25 (OPTIONAL)	14	
25	T93-1987-8	SPRING WASHER 8	18	
26	T95-1985-8	WASHER 8	8	
28	Z500100009	LIFTING HOOK (OPTIONAL)	1	
29	Z500100033	THROTTLE CONTROL WIRE	1	
32	Z500100010	INSIDE BELT COVER	1	
33	011544	V-BELT	1	
34	Z500100011	BELT COVER	1	
37	T5782-1986-M8X35	BOLT M8X35	1	
38	Z500100012	CHINESE PETROL ENGINE	1	

MS50 PARTS LIST 1

ITEM NO.	PART NO.	DESCRIPTION	QTY	REMARK
42	Z500100013	PULLEY ASSY.	1	
43	T5287-1985-8	WASHER 8	3	
44	T5782-1986-M8X30	BOLT M8X30	1	
45	T5782-1986-M8X20	BOLT M8X20	2	
48	Z500100014	WHEEL	2	
49	Z500100015	WHEEL SHAFT	1	
50	Z500100016	SPINDLE	1	
51	T894.2-1986-13	RETAINING RING 13	2	
52	T5782-1986-M12X60	BOLT M12X60	2	
53	T93-1987-12	SPRING WASHER 12	2	
54	T95-1985-12	WASHER 12	2	
55	Z500100017	RUBBER	2	
56	Z500100018	COLLAR	2	
57	Z500100019	HANDLE-DOWN	1	
58	T5782-1986-M10X35	BOLT M10X35	2	
60	Z500100020	KNOB	2	



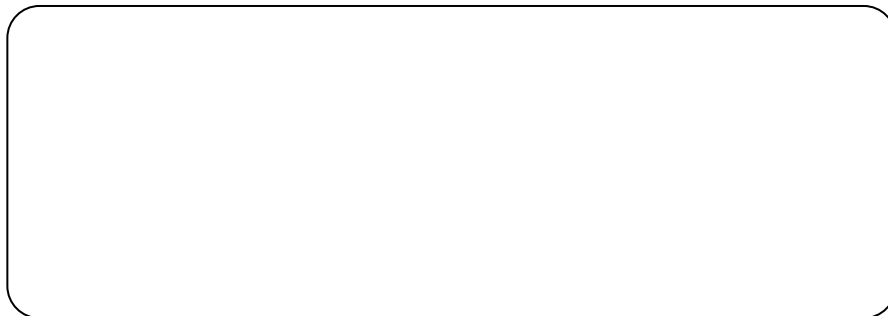
MS50 PART LIST 2

MS50 PARTS LIST 2

ITEM NO.	PART NO.	DESCRIPTION	QTY	REMARK
24	T5782-1986-M6X18	BOLT M8x25	8	
25	T93-1987-8	SPRING WASHER 8	8	
65	Z500100022	BEARING COVER	1	
66	Z500100023	O-RING	2	
67	T276-6208	BEARING 6208	2	
68	Z500100024	ECCENTRIC ROTATOR	1	
69	T1096-1979-C8X15	KEY	1	
72	Z500100026	BEARING COVER	1	
73	Z500100027	PULLEY	1	
74	T5287-1985-10	WASHER 10	1	
76	T5782-1986-M10X20	BOLT M10x20	1	



Distributed By



Manufacturer:

Carlow Hire & Sales Ltd,
T/A Doyle's Importers & Distributors
Shamrock Commercial Park, Dublin Road,
Castlecomer, County Kilkenny. Ireland
Tel: +353 564441988 Fax:+353 564441978

Website: www.doyles.ie