



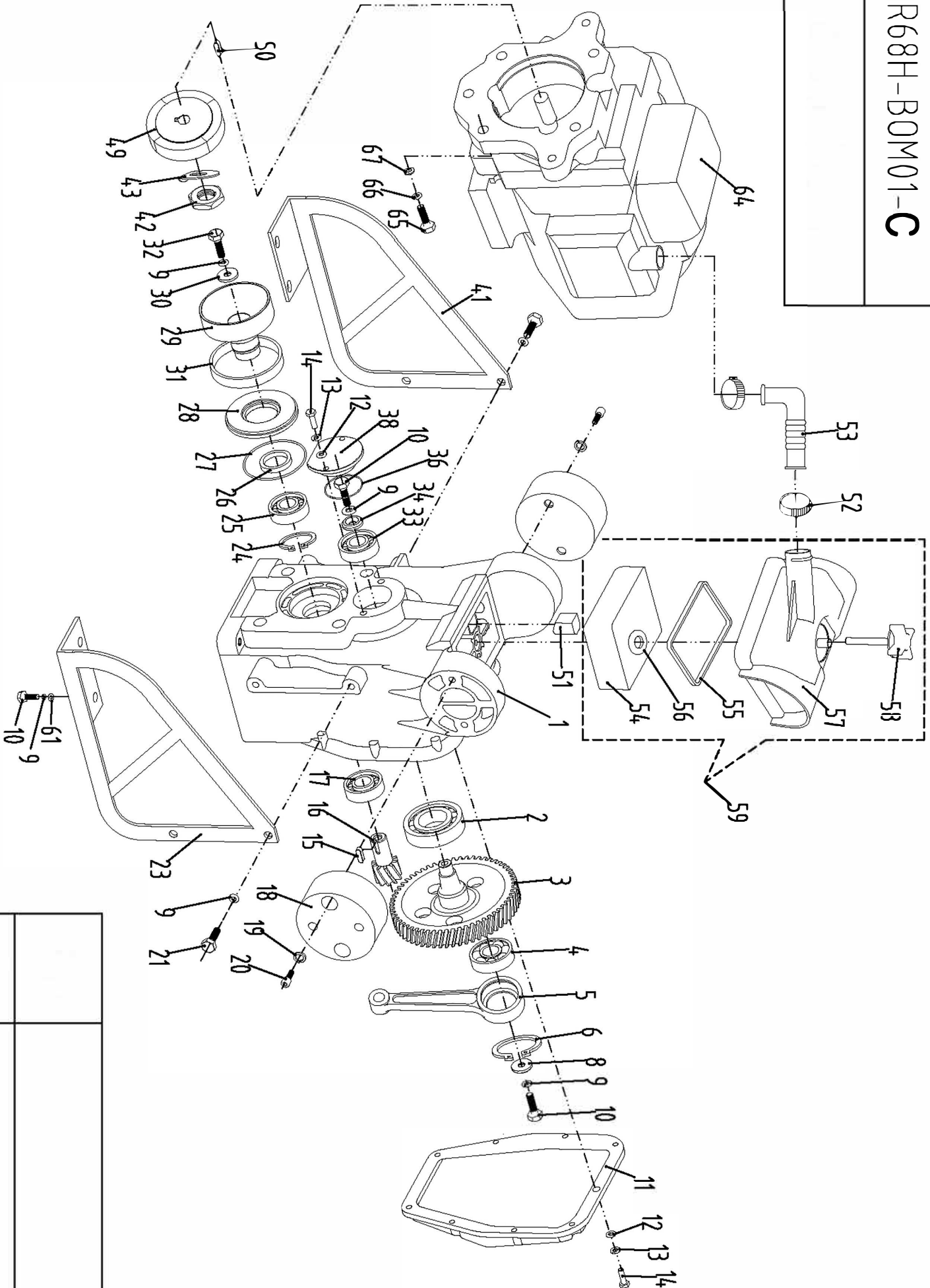
PARTS LIST

TAMPING RAMMER

MR68H



MR68H-BOM01-C



MR68H-BOM01-C

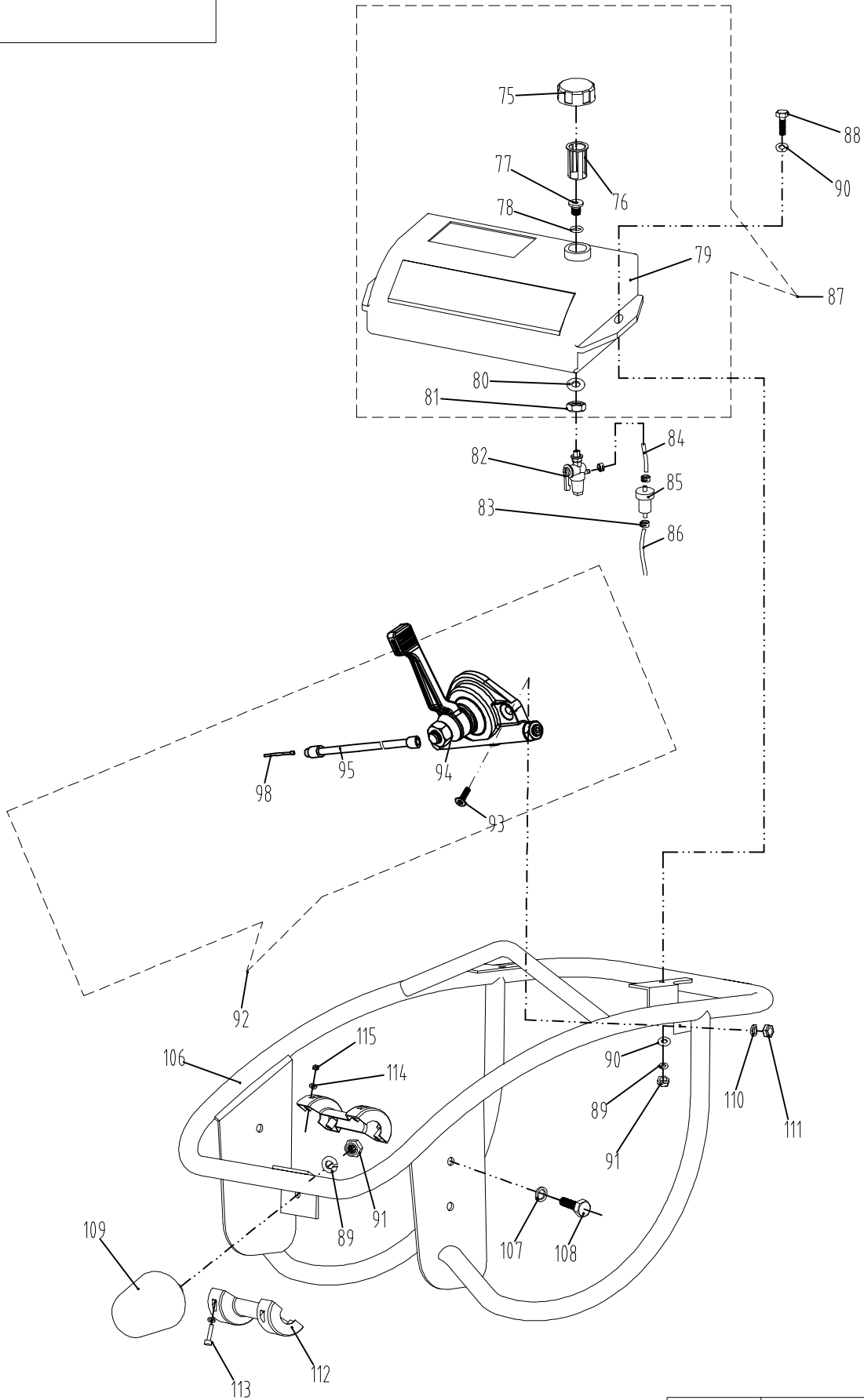
ITEM NO.	PART NO.	DESCRIPTION	ERP NO.	QTY	REMARK
1	MRS80-804100D-A	CRANK CASE	40901017	1	FOR GX100 KR4S/KR4 ENGINE
	MRS80-804100D-B	CRANK CASE	40901018	1	FOR GX100 KRB4 ENGINE
2	GB276-6207	BEARING 6207-GB276	21001062	1	
3	MRS80-804101A	CRANK GEAR	40601001	1	
4	GB276-6304	BEARING 6304-GB276	21001066	1	
5	MRS80-804301B	CONNECTING ROD	40407001	1	
6	GB893.1-52	RETAINING RING 52-GB893.1	20602008	1	
8	MRS80-804302	RETAINING RING	40504003	1	
9	GB93-8	SPRING WASHER 8-GB93	20509006	15	
10	GB5783-M8X25	BOLT M8X25-GB5783	20102102	6	
11	MRS80-804002C	GEAR COVER	40903020	1	FOR MR68H VICTOR
	MRS80-804002C-Z	GEAR COVER	40903021	1	FOR MR68H NEUTRAL
12	GB97.1-6	WASHER 6-GB97.1	20501005	11	
13	GB93-6	SPRING WASHER 6-GB93	20509004	11	
14	GB5783-M6X20	BOLT M6X20-GB5783	20102054	11	
15	GB1096-5X20	KEY 5X20-GB1096	20901053	1	
16	MRS80-804201B	GEAR SHAFT	40602001	1	
17	GB276-6204	BEARING 6204-GB276	21001059	1	
18	MRS80-806000	VIBRATION DAMPER	41201001	2	
19	GB93-10	SPRING WASHER 8-GB93	20509008	4	
20	GB70-M10x20	BOLT M10X20-GB70	20306150	4	
21	GB5783-M8X20	BOLT M8X20-GB5783	20102101	4	
23	MRS80-805002/R	PROTECTION FRAME, RIGHT FOR HONDA3	40207008	1	
24	GB894.1-35	RETAINING RING 35-GB894.1	20601014	1	
25	GB276-6007Z	BEARING 6007Z-GB276	21001052	1	
26	GB13871-405208FB	SEAL 40X52X8-F GB13871	21106002	1	
27	GB3452.1-95X3.1	O-RING 95X3.1-GB3452.1	21101100	1	
28	MRS80-808000C	SPACE	40501001	1	
29	MRS80-807000A	CLUTCH DRUM	40506001	1	
30	MRS80-804202	RETAINING RING	40504001	1	
31	MRS80-808001	LOCATING SLEEVE	40504070	1	ONLY FOR GX100 KRB4 ENGINE

(TO BE CONTINUED)

MR68H-BOM01-C

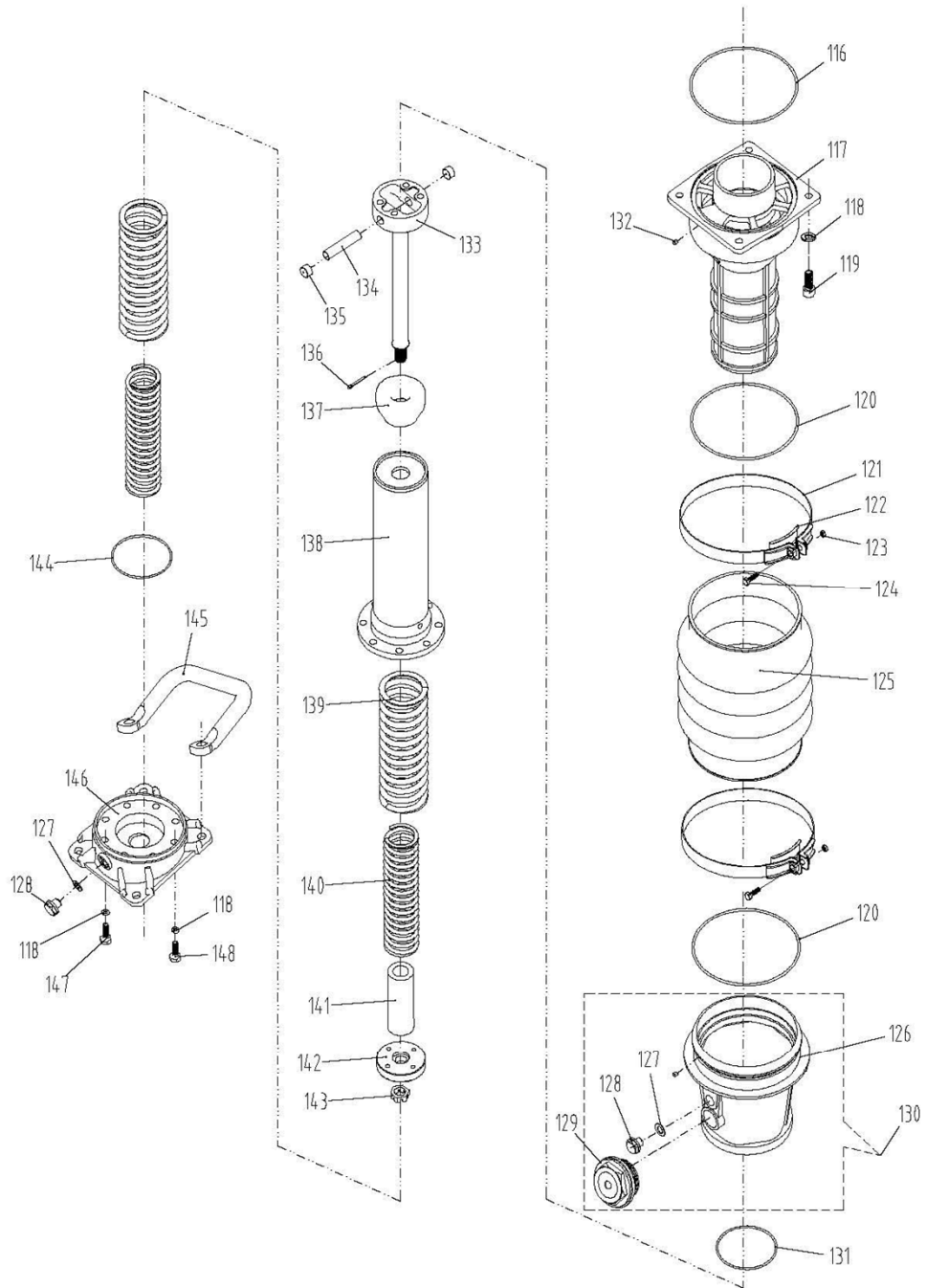
ITEM NO.	PART NO.	DESCRIPTION	ERP NO.	QTY	REMARK
32	GB5783-M8X30	BOLT M8X30-GB5783	20102105	1	
33	GB276-6204	BEARING 6204-GB276	21001059	1	
34	MRS80-804102	RETAINING RING	40504002	1	
36	GB3452.1-43.7X1.8	O-RING 43.7X1.8-GB3452.1	21101004	1	
38	MRS80-804004	BEARING COVER	40502001	1	
41	MRS80-805002/L	PROTECTION FRAME, LEFT	40207007	1	
42	GB6173-M12X1.25	NUT M12X1.25 GB6173	20407002	1	
43	MRS80-809006	WASHER	40504008	1	
49	MRS80-809000B	CLUTCH ASSY. (CHINESE)	50101011	1	
50	DIN6888-4X5	KEY 4X12	20902001	1	
51	MRS80-804405	ELEMENT	41402002	1	
52	MRS80-000003W	HOSE CLAMP 20-32	41406012	2	
53	MRS80-000001W	INTAKE PIPE	41204011	1	
54	MRS80-804403	AIR CLEANER ELEMENT	41402001	1	
55	MRS80-804404	PACKING, AIR CLEANER	41204001	1	
56	GB3452.1-7.5X1.8	O-RING 7.5X1.8-GB3452.1	21101002	1	
57	MRS80-804401	AIR CLEANER COVER	41205001	1	
58	MRS80-804402	KNOB	41205002	1	
59	MRS80-804400	AIR CLEANER ASSY.	50201017	1	59 (54~58)
61	GB97.1-8	WASHER 8-GB97.1	20501007	4	
64	HONDA GX100KRSB/ KR4	HONDA ENGINE GX100 KRSB &KR4	41401009	1	
	HONDA GX100 KRB4	HONDA ENGINE GX100 KRB4	41401007	1	
65	GB5783-M8X40	BOLT M8X40-GB5783	20102107	4	FOR GX100 KRSB/KR4 ENGINE
	GB5783-M10X40	BOLT M10X40-GB5783	20102156	4	FOR GX100 KRB4 ENGINE
66	GB93-8	SPRING WASHER 8-GB93	20509006	4	FOR GX100 KRSB/KR4 ENGINE
	GB93-10	SPRING WASHER 10-GB93	20509008	4	FOR GX100 KRB4 ENGINE
67	GB97.1-8	WASHER 8-GB97.1	20501007	4	FOR GX100 KRSB/KR4 ENGINE
	GB97.1-10	WASHER 10-GB97.1	20501009	4	FOR GX100 KRB4 ENGINE

MR68H-BOM02-C



MR68H-BOM02-C

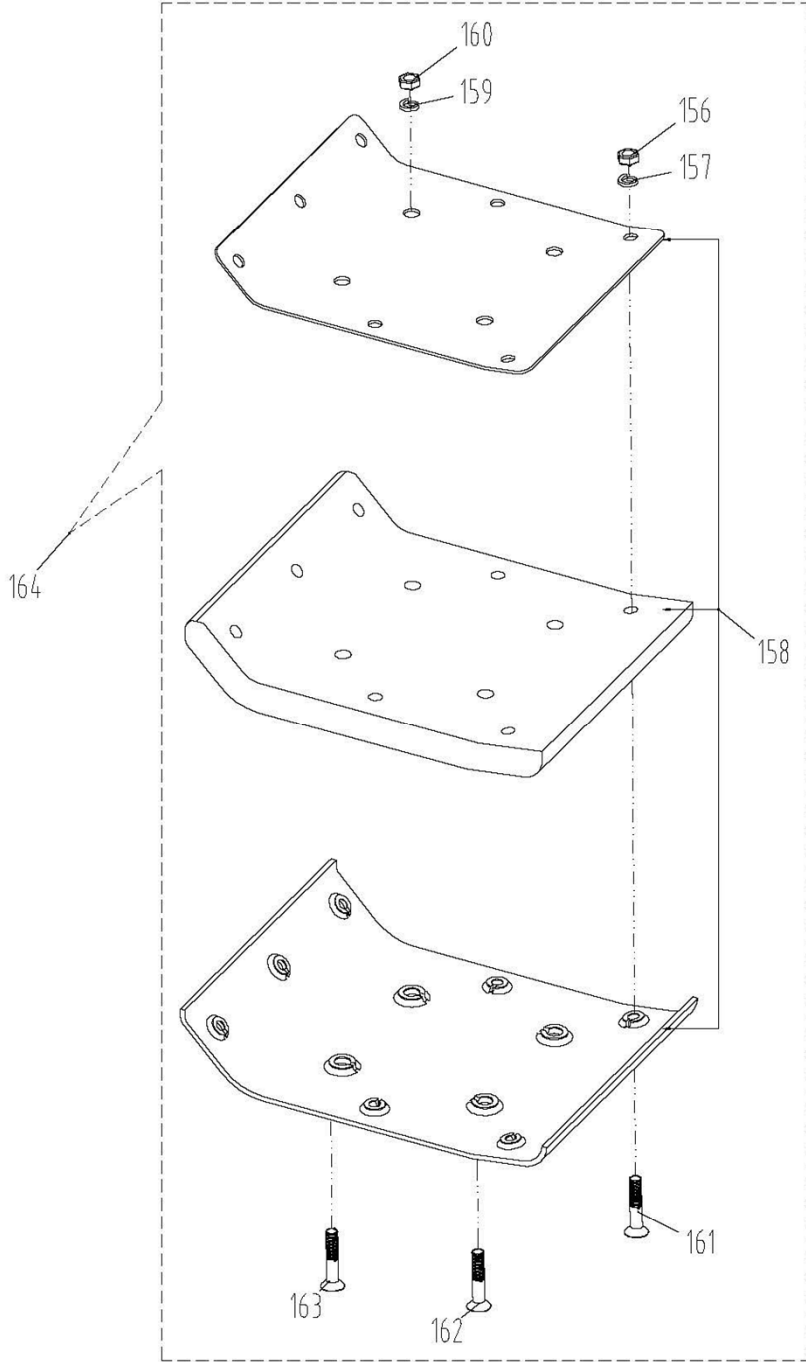
ITEM NO.	PART NO.	DESCRIPTION	ERP NO.	QTY	REMARK
75	MRS80-801002NW	TANK CAP	40903054	1	
76	MRS80-801007A	OIL STRAINER	41402007	1	
77	MRS80-801006	CONNECTOR	41101001	1	
78	GB3452.1-14X3.55	O-RING 14X3.55-GB3452.1	21101150	1	
79	MRS80-801001	TANK	41206001	1	
80	GB97.1-14	WASHER 14-GB97.1	20501012	1	
81	GB6173-M14X1.5	NUT M14X1.5-GB6173	20407003	1	
82	MRS80-801009W	FUEL COCK	41403001	1	
83	MRS80-801011W	HOSE CLAMP	41406003	4	ONLY 2 IF USED FOR GX100 KRB4
84	MRS80-80100W	FUEL HOSE	41001112	1	FOR GX100 KR5B/KR4 ENGINE
	MRS80-80270W	FUEL HOSE	41001114	1	FOR GX100 KRB4 ENGINE
85	MRS80-801010W	OIL STRAINER	41402006	1	FOR GX100 KR5B/KR4 ENGINE
86	MRS80-801200W	FUEL HOSE	41001113	1	FOR GX100 KR5B/KR4 ENGINE
87	MRS80-801000W	TANK ASSY.	50201018	1	87 (75~81)
88	GB5783-M8x30	BOLT M8X30-GB5783	20102105	2	
89	GB93-8	SPRING WASHER 8 GB93-8	20509006	3	
90	GB97.1-8	WASHER 8 GB97.1	20501007	4	
91	GB889.1-M8	NUT M8 GB889.1	20405004	3	
92	MRS80-9910B	THROTTLE CONTROL ASSY. (INCLUDING CABLE)	41403094	1	92 (94, 95, 98)
93	GB70.3-M6X16	BOLT M6X16 GB70.3	20308051	2	
94	MRS62-9910B-08W	THROTTLE CONTROL HANDLE COMPONENTS.	49904003	1	
95	MRS80-9910B-07W	THROTTLE SWITCH SLEEVE	49904010	1	
98	MRS80-9910B-06W	THROTTLE WIRE	49904009	1	
106	MRS80-805001F	HANDLE COMPONENTS	50201001	1	
107	GB93-10	SPRING WASHER 10	20509008	4	
108	GB5783-M10X20	BOLT M10X20	20102150	4	
109	MRS80-805004	RUBBER	41202003	1	
110	GB93-6	SPRING WASHER 6	20509004	2	
111	GB6170-M6	NUT M6 GB6170	20401003	2	
112	MRS80-805011	ROLLER	41201043	2	(112~115) JUST FOR HONDA GX100 KR5B/KR4 ENGINE
113	GB70.1-M5X16	BOLT M5X16 GB70.1	20306004	4	
114	GB/T97.1-5	WASHER 5 GB97.1	20501003	8	
115	GB/T889.1-M5	NUT M5 GB889.1	20405001	4	



MR68H-BOM03-B

ITEM NO.	PART NO.	DESCRIPTION	ERP NO.	QTY	REMARK
116	GB3452.1-160x5.3	O-RING 160X5.3-GB3452.1	21101200	1	
117	MRS80-803201B	GUIDE CYLINDER	40505001	1	
118	GB93-10	SPRING WASHER 10-GB93	20509008	12	
119	GB5783-M10X35	BOLT M10X35-GB5783	20102155	4	
120	GB3452.1-160x3.55	O-RING 160X3.55-GB3452.1	21101153	2	
121	MRS80-803204D	BELLOW CLAMP	40101001	2	
122	MRS62-3204C-04	SCALEBOARD	40102001	2	
123	GB6170-M8	NUT M8 GB6170	20401004	2	
124	GB5783-M8X40	BOLT M8X40-GB5783	20102107	2	
125	MRS80-803203	BELLOW	41205003	1	
126	MRS80-803111E	PROTECTION SLEEVE	40505002	1	
127	JB89-14	COPPER WASHER 14	21105004	1	
128	MRS80.GZ01	PLUG M14X1.5	40401001	1	
129	GB1160.2-M24x1.5	LEVEL GAUGE M24X1.5-GB1160.2	21110002	1	
130	MRS80-803112W	PROTECTION SLEEVE COMPONENTS	50201012	1	130 (126~129)
131	GB3452.1-95x2.65	O-RING 95X2.65-GB3452.1	21101055	1	
132	MRS80-803202	PIN	40402001	2	
133	MRS80-803301A	PISTON ROD	40406001	1	
134	MRS80-803302	PISTON PIN	40402002	1	
135	MRS80-803306	PISTON END CAP	41201038	2	
136	GB91-3.2x36	PIN 3.2X36 GB91	20805050	1	
137	MRS80-803304	STOPPER, UPPER	41202001	1	
138	MRS80-803102A	SPRING CYLINDER	40505004	1	
139	MRS80-803001D	SPRING, OUTER	40103002	2	
140	MRS80-803002D2	SPRING, INNER	40103001	2	
141	MRS80-803305	STOPPER, LOWER	41201040	1	
142	MRS80-803303A	PISTON END	40705001	1	
143	GB6178-M18x1.5	NUT M18X1.5-GB6178	20410001	1	
144	GB3452.1-87.5x3.55	O-RING 87.5X3.55-GB3452.1	21101152	1	
145	MRS80-802006B	LIFTING HOOK	41003002	1	
146	MRS80-803101D	FOOT PLATE	40804001	1	
147	GB70.1-M10x20	BOLT M10X20-GB70	20306150	4	
148	GB70.1-M10x40	BOLT M10X40-GB70	20306158	4	

MR68H-BOM04-A

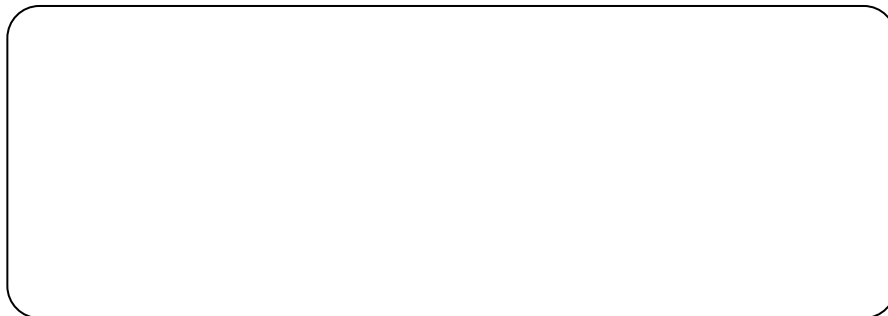


MR68H-BOM04-A

ITEM NO.	PART NO.	DESCRIPTION	ERP NO.	QTY	REMARK
156	GB889.1-M10	HEXAGONAL NUT M10-GB889	20405006	7	
157	GB93-10	SPRING WASHER 10-GB93	20509008	7	
158	MRS80-802000-1	FOOT COMPONENTS	50201013	1	
159	GB93-12	SPRING WASHER 12-GB93	20509009	4	
160	GB889.1-M12	HEXAGONAL NUT M12-GB889	20405007	4	
161	MRS80-802005	SCREW M10X52	20103001	7	
162	MRS80-802004-70	SCREW M12X70	20103002	2	
163	MRS80-802004-75	SCREW M12X75	20103003	2	
164	MRS80-802000	FOOT ASSY.	50201009	1	164(156~163)



Distributed By



Manufacturer:

Carlow Hire & Sales Ltd,
T/A Doyle's Importers & Distributors
Shamrock Commercial Park, Dublin Road,
Castlecomer, County Kilkenny. Ireland
Tel: +353 564441988 Fax:+353 564441978

Website: www.doyles.ie