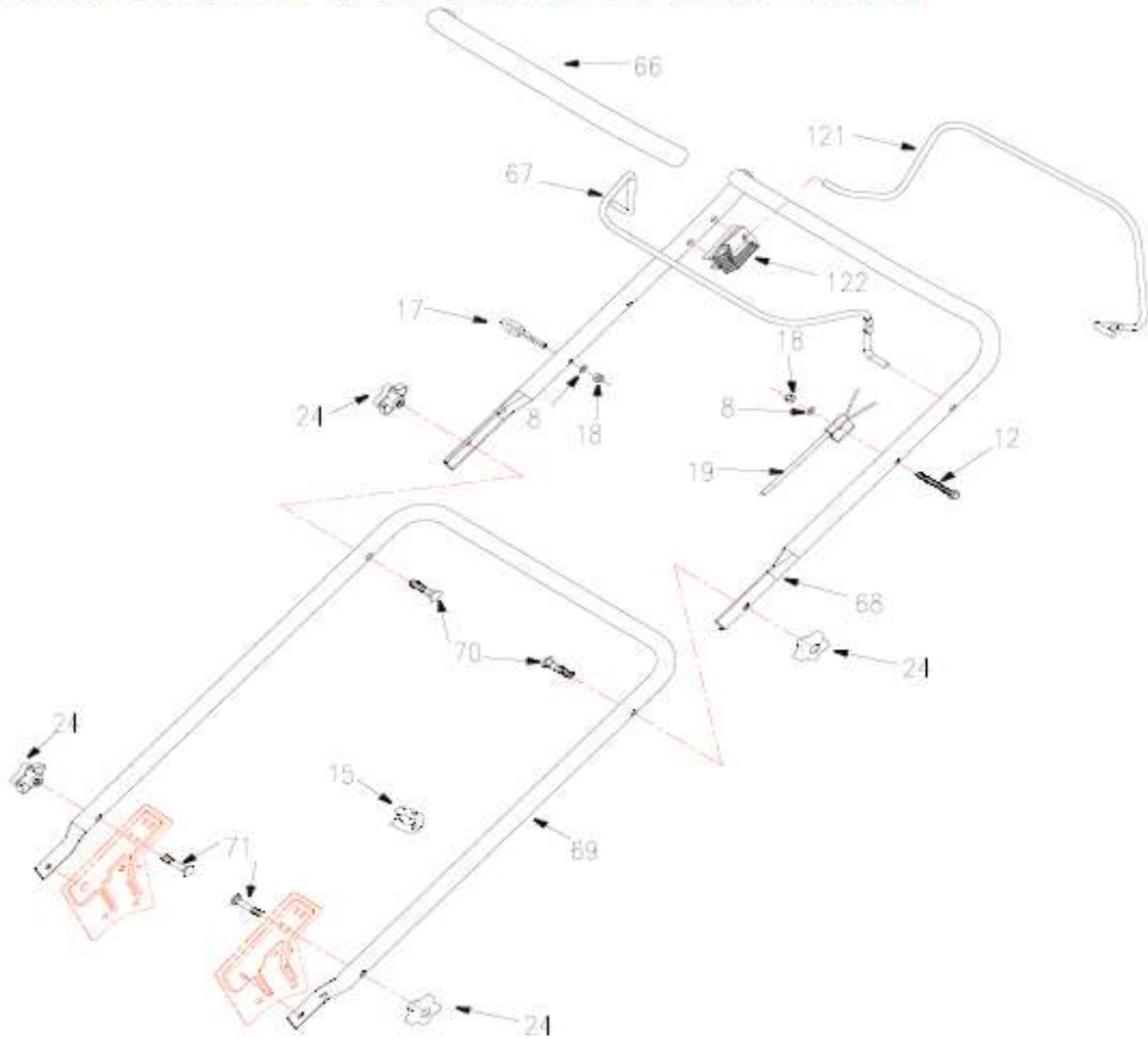
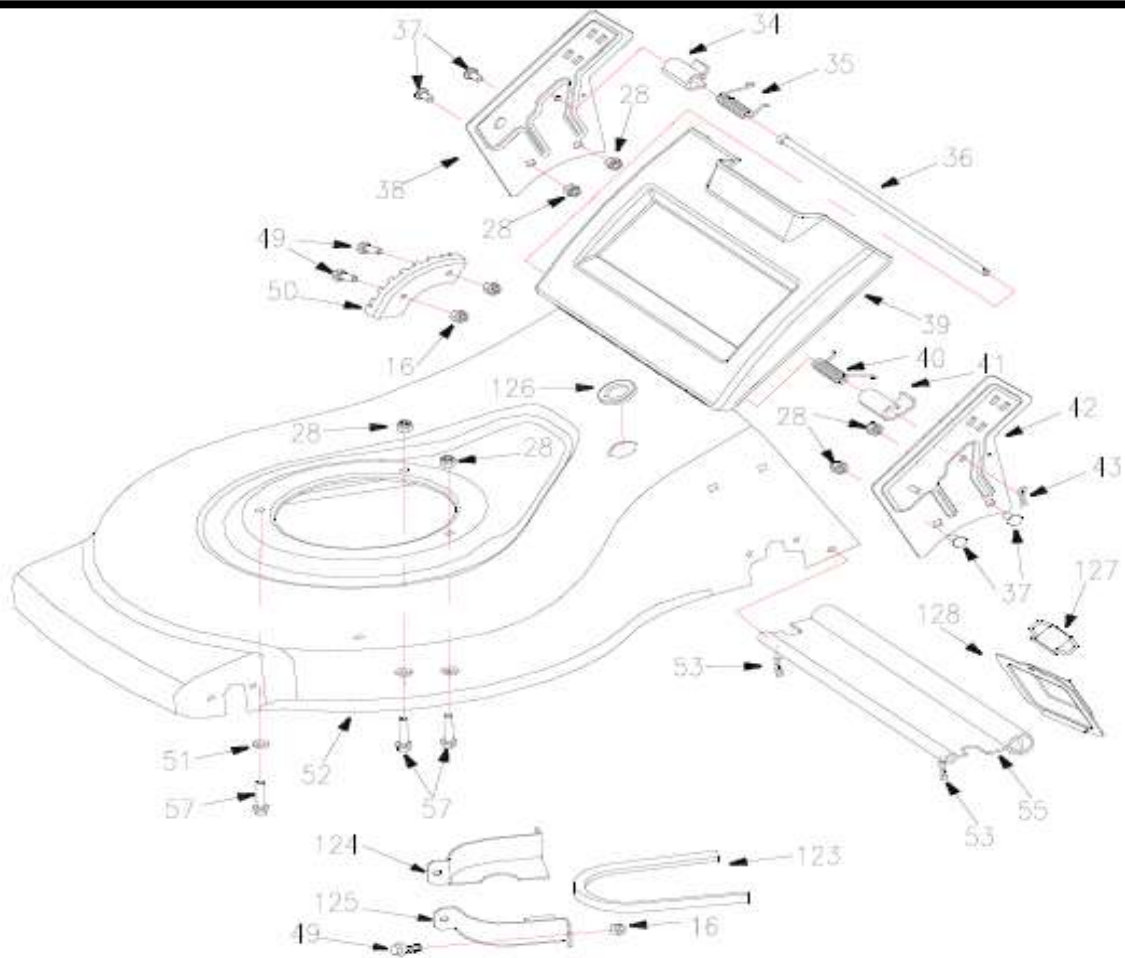


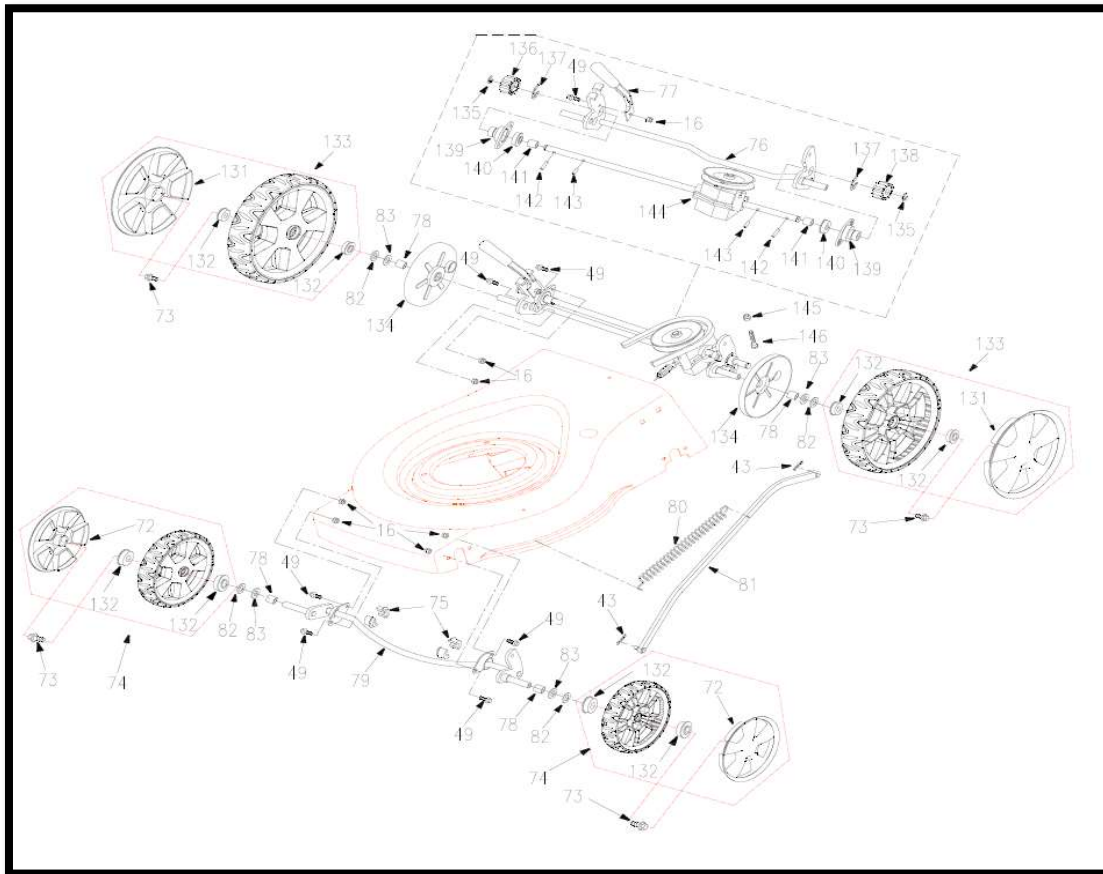
Parts Book For WYZ18N2-LC1P65FE-2-A01



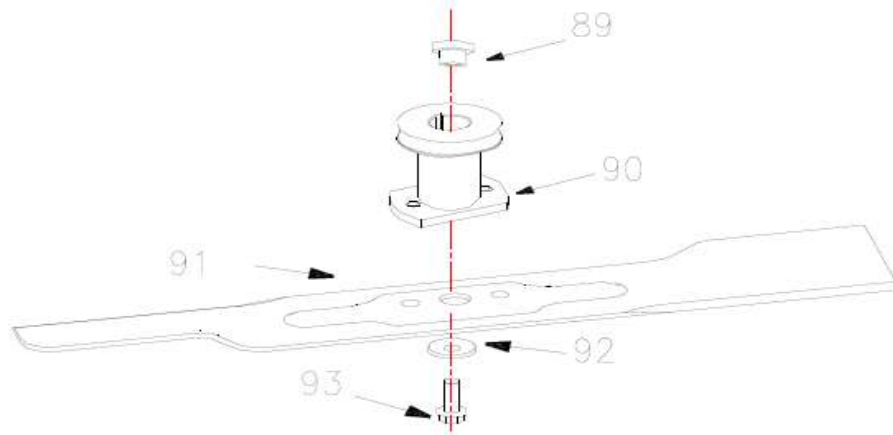
Ref. No.	Parts No.	Description	QTY
8	B97.1-6	Washer 6	2
12	B820-635	Screw M6×35	1
15	2011031	Cable Clamp	1
18	B923-6	Nylon Insert Lock Nut M6mm	2
17	WORD18.6-05B	Guy Hook	1
19	2100625A	Cable Unit	1
24	XSZ56-1-09	Knob Nut M8mm	4
66	WORD18.6-04	Handle Grip	1
67	2003101	Blade Control Handle	1
68	1803002	Upper Handlebar	1
69	WORD18.6-01	Lower Handlebar	1
70	XSZ56-1-15	Bolt	2
71	B801-840	Square Neck Bolt M8×40mm	2
121	2003201	Drive Clutch Lever	1
122	2203003	Bracket	1



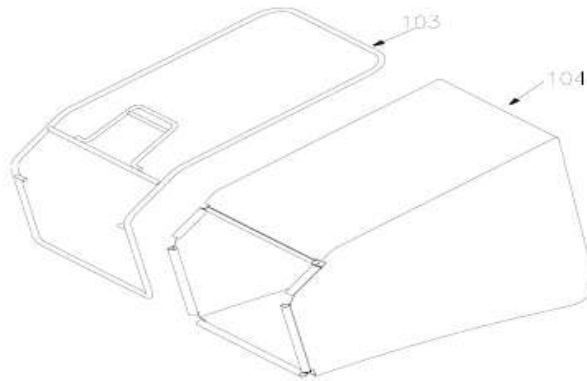
Ref. No.	Parts No.	Description	QTY
16	B6182-6	Nylon Insert Lock Nut M6mm	5
28	B6182-8	Locknut M8	6
34	1822033	Torsion Spring Seat , R	1
35	2000056	Torsion Spring, Right	1
36	2000024	Rod, Rear Cover	1
37	B801-816	Square Neck Bolt M8X16mm	4
38	1822006	Right Bracket	1
39	1800004	Rear Cover	1
40	2000055	Torsion Spring, Left	1
41	1822032	Torsion Spring Seat , L	1
42	1822004	Left Bracket	1
43	XSZ56-1-17	Hair Pin	1
48	2200021	Torsion Spring	1
49	B5787-616	Hex Hd. Flange Bolt M6X16mm	5
50	1822031	Height Adjustment Rack	1
51	B97.1-8	Washer 8	3
52	1822050	Deck	1
53	B91-220	Pin 2×20	2
55	XSS46-15A	Rear Guard	1
57	B5787-840	Square Neck Bolt M8×40mm	3
123	1812003	V-Belt Z750	1
124	1808213	Belt Cover,Right	1
125	1808212	Belt Cover,Left	1
126	4LZ2.16.4-04	Rubber Ring	1
127	2100012	Nut	1
128	1813011	Guard	1



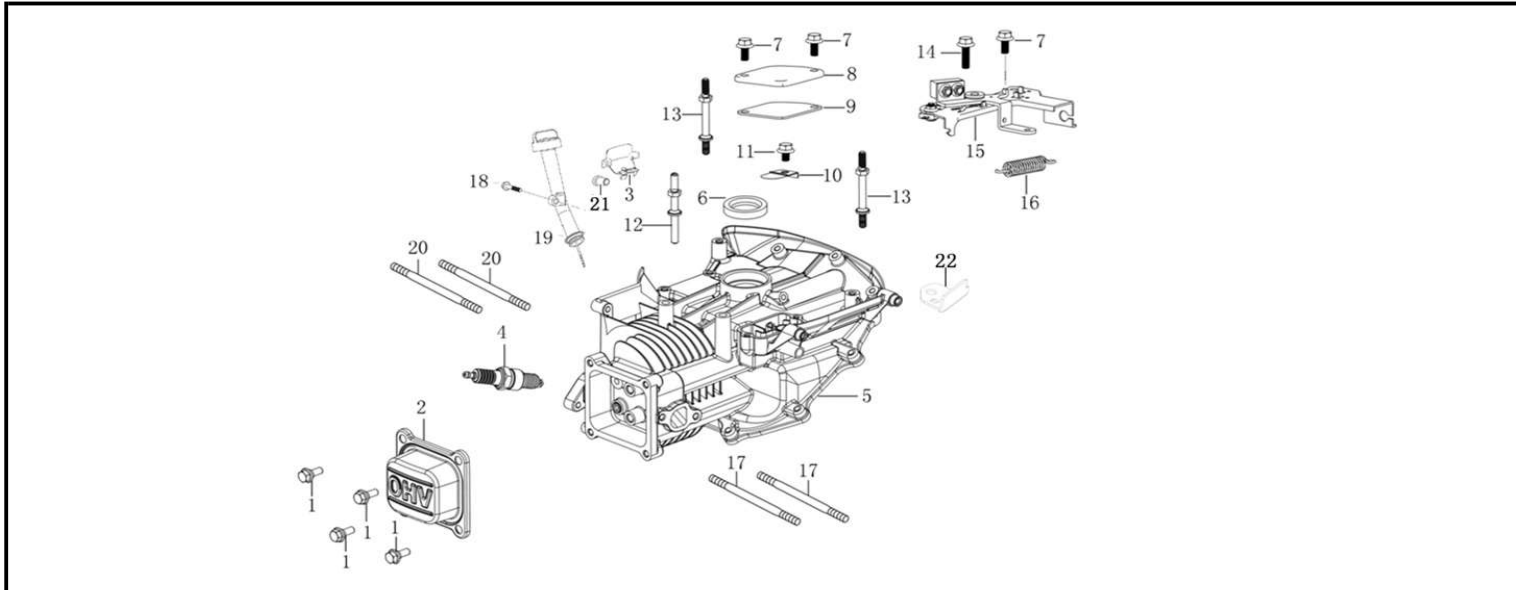
Ref. No.	Parts No.	Description	QTY
16	B6182-6	Nylon Insert Lock Nut M6mm	9
43	XSZ56-1-17	Hair Pin	2
49	B5787-616	Hex Hd. Flange Bolt M6X16mm	9
72	00701	Hub Cap	2
73	B5787-816	Square Neck Bolt M8X16mm	4
74	00700	Wheel 15"	2
75	WORD18-01	Nylon Bearing 1/2"	4
76	1807130A	Rear Axle Assembly	1
77	WORD18.5.2	Cutting Height Adjustment Lever	1
78	2007401	Bushing	4
79	1807110	Front Shaft Assembly	1
80	1810016	Tension Spring	1
81	1822002	Haul Shank Seam	1
82	B97.1-12	Washer 12	4
83	B955-12	Washer 12	4
131	00811	Hub Cap	2
132	2201002	Nylon Bearing 1/2"	8
133	00810	Wheel 8"	2
134	2200034	Cover	2
135	B896-9	E-Clip 9mm	2
136	2200033	Pinion Gear, Right	1
137	XSZ56-2-06	E-Clip 19mm	2
138	2200032	Pinion Gear, Left	1
139	2207002A	Bearing Housing	2
140	2207003	Bearing	2
141	2207001	Bushing	2
142	XSZ56-2-08	Roll Pin	2
143	B879-516	Spring Pin 5×16mm	2
144	84787B	Transmission	1
145	B6170-6	Nylon Insert Lock Nut M6mm	1
146	B820-645	Screw M6×45	1



Ref. No.	Parts No.	Description	QTY
89	1819001	Bushing	1
90	1819100	Blade Adaptor Pulley	1
91	XSS46-01	Blade	1
92	XSZ56-2-17	Washer	1
93	WORD18-08A	Bolt	1

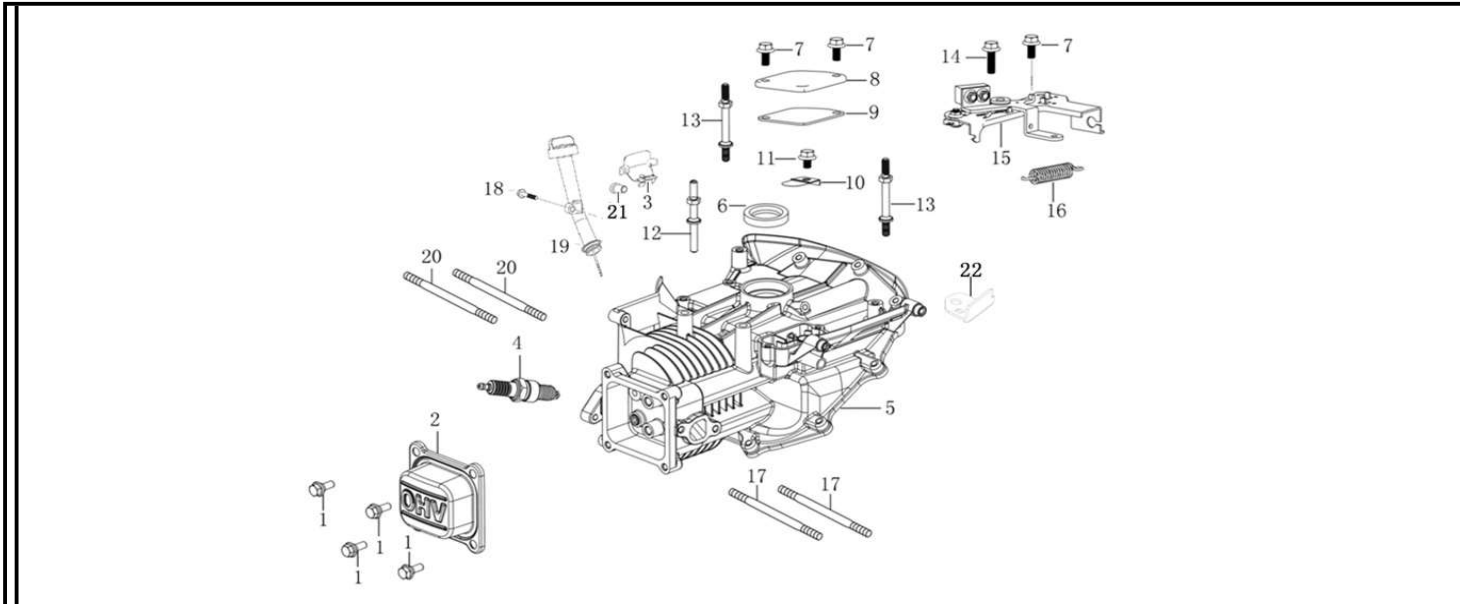


Ref. No.	Parts No.	Description	QTY
103	1822071	Bag Frame	1
104	1806200	Fabric Bag	1



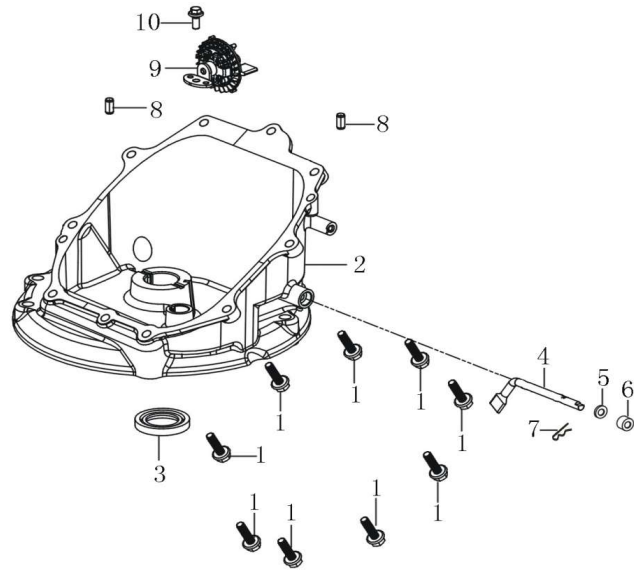
CRANK CASE I

No.	Part No.	Description		Reqd. QTY
1	380020070-0001	Hexagon shaft shoulder bolt	T370 M6×16.5(Φ8×3.5)	4
2	120230260-0001	Cylinder head cover	T323 B款;打胶 镀蓝白锌Q16	1
3	160200075-0001	Side plate	T327_箱体右侧护罩;	1
4	270960014-0001	Spark plug	F7RTC 无干扰;	1
5	110810363-0001	Crankcase body	T327;	1
6	380650335-0001	Oil seal	T320_d=25 D=38_b=7;	1
7	380140067-0003	Hexagon bolt with flange	GB/T 5789 M6 L=12;镀蓝白锌Q16	3
8	110840041-0001	CAP, BREATHER CHAMBER	T327;	1
9	110850030-0002	PACKING, BREATHER CHAMBER	T327;通机变更单号TJGGBG2020006	1
10	140250026-0001	Leaf valve	T327;Cr3+钝化	1
11	380140039-0003	Hexagon bolt with flange	GB/T 5789 M6 L=8;镀蓝白锌Q16	1
12	380850016-0001	Stay stud	T323 M6 L=72;镀蓝白锌Q16	1
13	380850010-0001	Stay stud	T321 M6 L=78;镀蓝白锌Q16	2
14	380140077-0005	Hexagon bolt with flange	GB/T 5789 M6 L=20;镀蓝白锌Q16	1



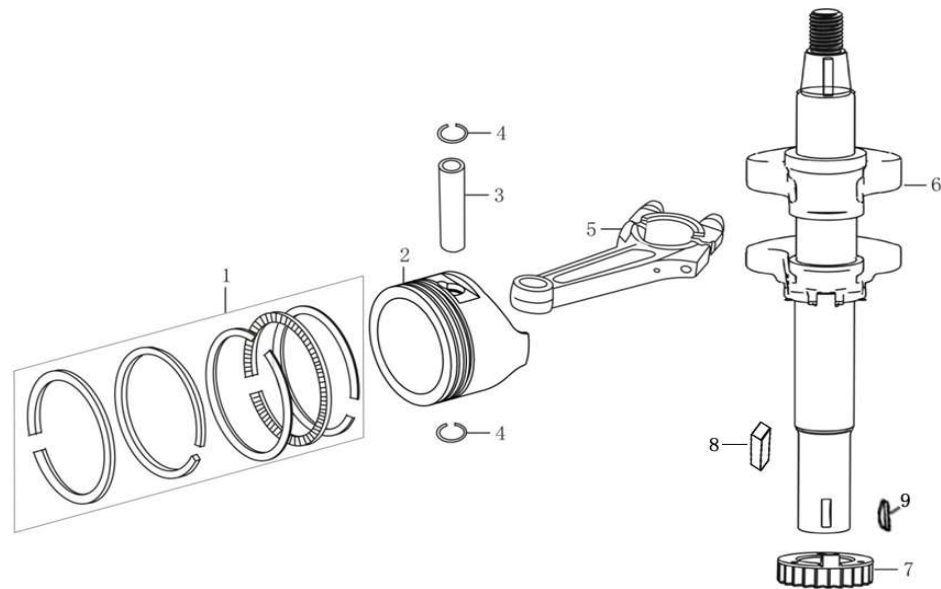
CRANK CASE II

No.	Part No.	Description		Reqd. QTY.
15	293030023-0001	Engine brake	T327;	1
16	381140582-0001	Tension spring	T325_制动器弹簧_15圈;	1
17	380180210-0001	Stud	T327_M6 L=87;镀蓝白锌Q16	2
18	380140100-0003	Hexagon bolt with flange	GB/T 5789 M6 L=25;镀蓝白锌Q16	1
19	110690125-0002	Oil rule combination	T327_2#;本色黑6#Q80	1
20	380180147-0001	Stud	T302 M6 L=70.5;镀蓝白锌Q16	2
21	380822360-0001	Bushing	T320 外径10(带Φ14.5台阶) 内径6.5	1
22	160200082-0001	Side plate	T327_箱体左侧护罩;镀蓝白锌Q16	1



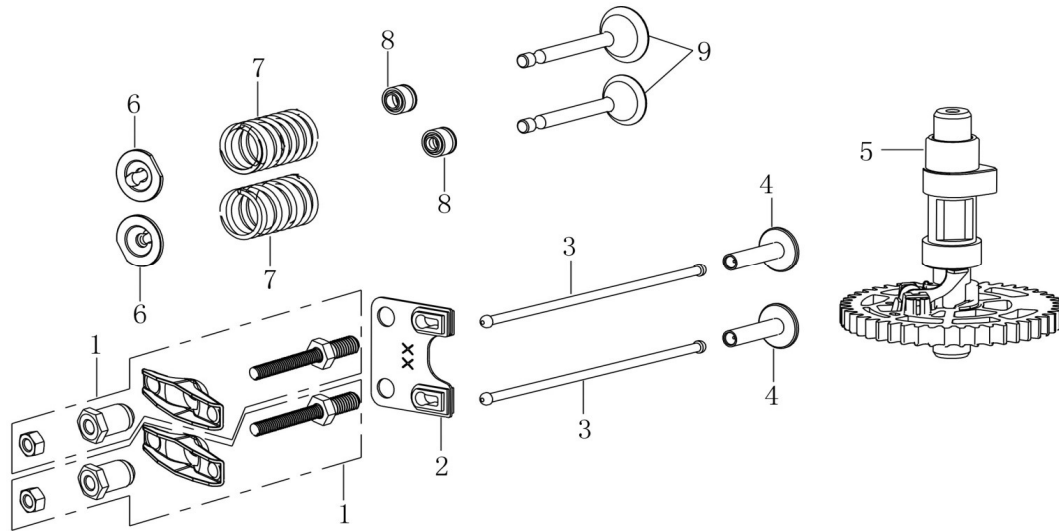
Crankcase cover

No.	Part No.	Description		Reqd. QTY.
1	380140103-0004	Hexagon bolt with flange	GB/T 5789 M6 L=25;镀蓝白锌Q16	9
2	110820198-0002	Crankcase cover	T327;通机规格变更单FM202205250360	1
3	380650893-0001	Oil seal	T327 d=25.4 D=41.25 b=6 丙烯酸脂CII;满足REAC	1
4	171630031-0001	Speed regulating arm	T327;	1
5	380450527-0001	Flat washer	T05K T21 内径6 外径13 厚度1 65Mn;氧化Q07	1
6	380650338-0001	Oil seal	T320 d=6 D=11 b=4;	1
7	381350004-0001	Pin clip	T040 调速臂用;	1
8	380600241-0001	ocation pin	T323 d=6 L=16;	2
9	171750039-0001	Components of governor gear	T327 直齿;	1
10	380140167-0002	Hexagon bolt with flange	GB/T 16674.1 M5 L=12;镀蓝白锌Q16	1



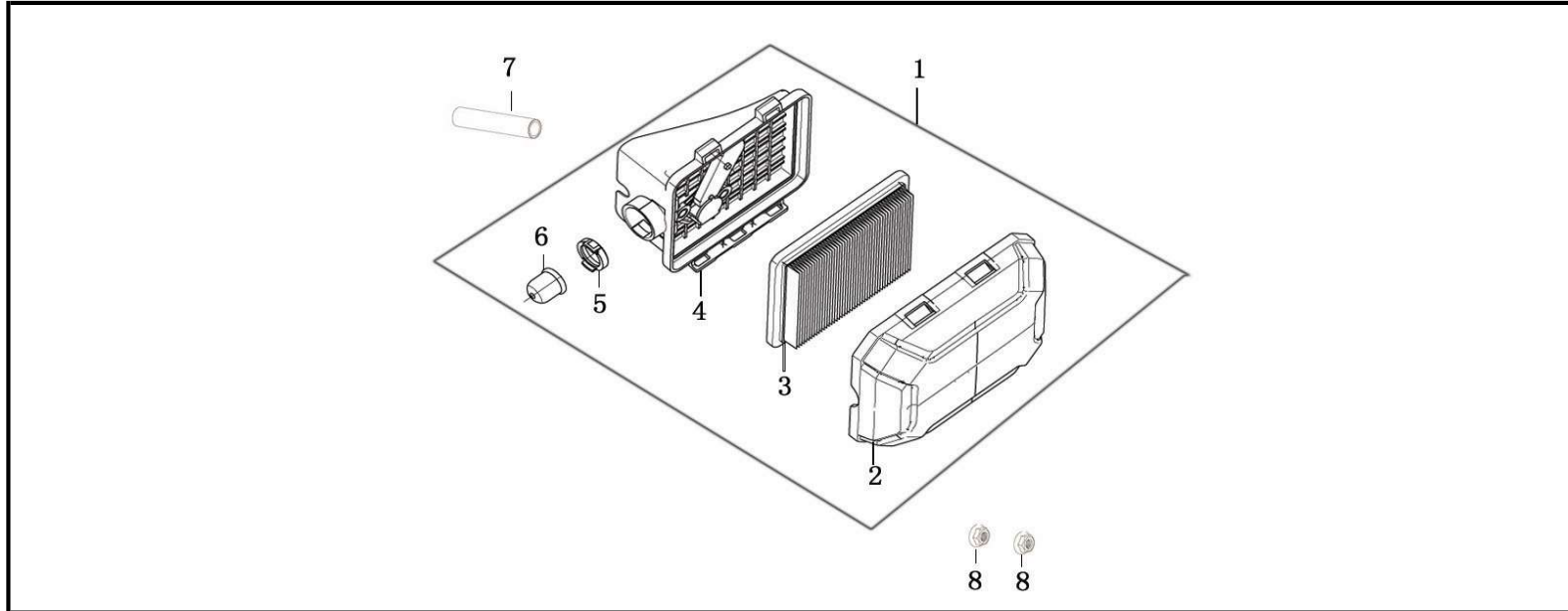
CRANKSHAFT/PISTON

No.	Part No.	Description		Reqd. QTY.
1	130070150-0001	Piston ring combination	T320 一二环槽宽1mm;	1
2	130030375-0001	Piston	T327 桶型活塞, 一、二环厚1mm, 组合环厚2.5mm, 压	1
3	130060030-0001	Piston pin	T030 $\phi 13 \times 47$;	1
4	380560055-0001	Steel cable baffle ring	T030 活塞销挡圈;	2
5	130150142-0001	Connecting rod	T327 中心距78;	1
6	130290672-0001	crankshaft	T327 F轴 球墨铸铁;	1
7	130230061-0001	Timing driving wheel	T327 正时主动齿轮 直齿;	1
8	380620030-0001	Key	GB/T1095 L=38 4.78 \times 4.78 A型;	1
9	380620119-0001	Key	ANSI B17.2-1967 (R1998) $\frac{5}{32} \times \frac{5}{8}$;	1



CAMSHAFT

No.	Part No.	Description		Reqd. QTY.
1	140450060-0001	Valve rocker combination	T323;	2
2	140710013-0002	Plate, push rod guide	T323;通机工程更改通知单号2017-0180_镀蓝白锌Q	1
3	140670028-0001	Push rod	T302 长127.5 整体实芯;	2
4	140690021-0001	Lifter, Valve	T290; 含Hg/Cr6/Pb/PBB/PBDE≤1000ppm, Cd≤100pp	2
5	140020174-0001	Camshaft assy	T327 直齿;	1
6	140380020-0001	Retainer, valve spring	T320 排气门用;	2
7	140340039-0001	Inner spring of valve	T322 7圈; 含Hg/Cr6/Pb/PBB/PBDE≤1000ppm, Cd≤1	2
8	140400016-0001	Valve oil seal	T05K; 含Hg/Cr6/Pb/PBB/PBDE≤1000ppm, Cd≤100pp	2
9	500550034-0001	Valve Kit	T320;	1



AIR CLEANER

序号 No.	零部件件号 Part No.	Description	规格状态	数量
				Reqd. QTY.
1	180021124-0002	Air filter	T327_4# 带加浓阀和加浓阀固定件;满足REACH要求	1
2	180070264-0001	Air filter casing cover	T327;	1
3	180130178-0001	Air filter element	T321 滤芯体;	1
4	180280128-0001	Air filter seat	T327;	1
5	173270002-0001	Starting valve fixture	T320;	1
6	170260008-0001	primer valve	T320;	1
7	380741304-0002	Breather tube	T327;满足ROHS要求	1
8	380370066-0001	Hexagon nut with flange	GB/T 6177.1_不带防滑齿_M6;镀蓝白锌Q16	2

