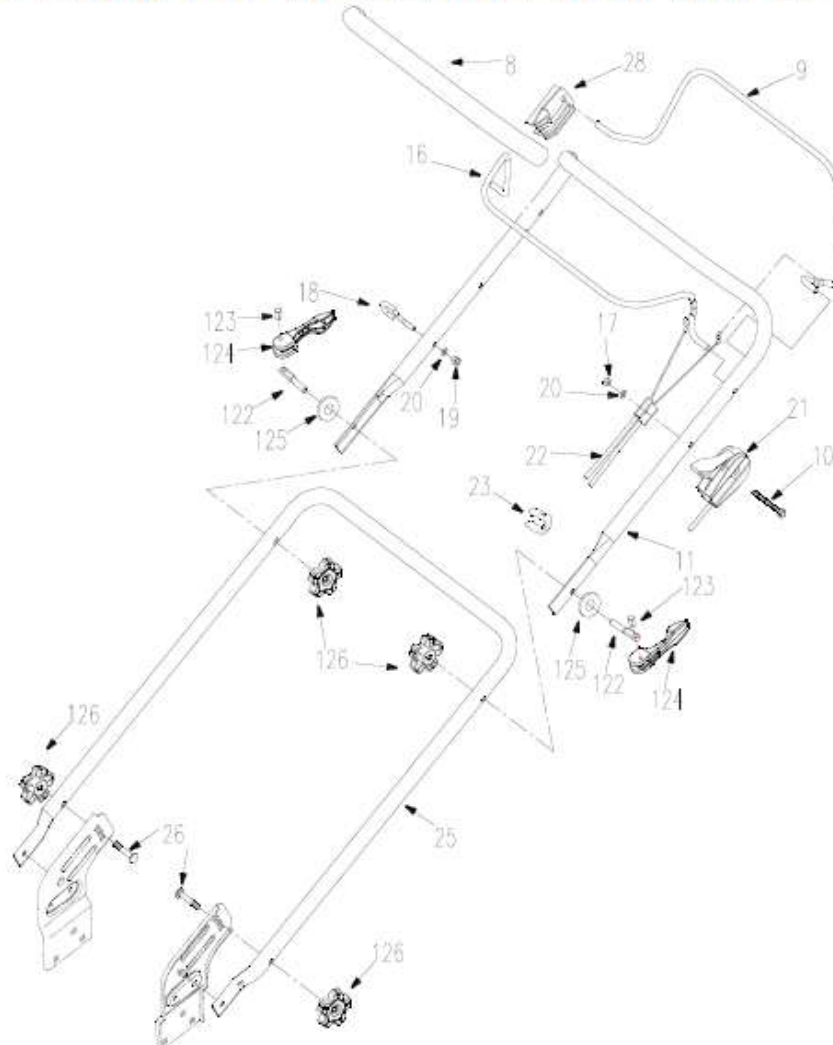
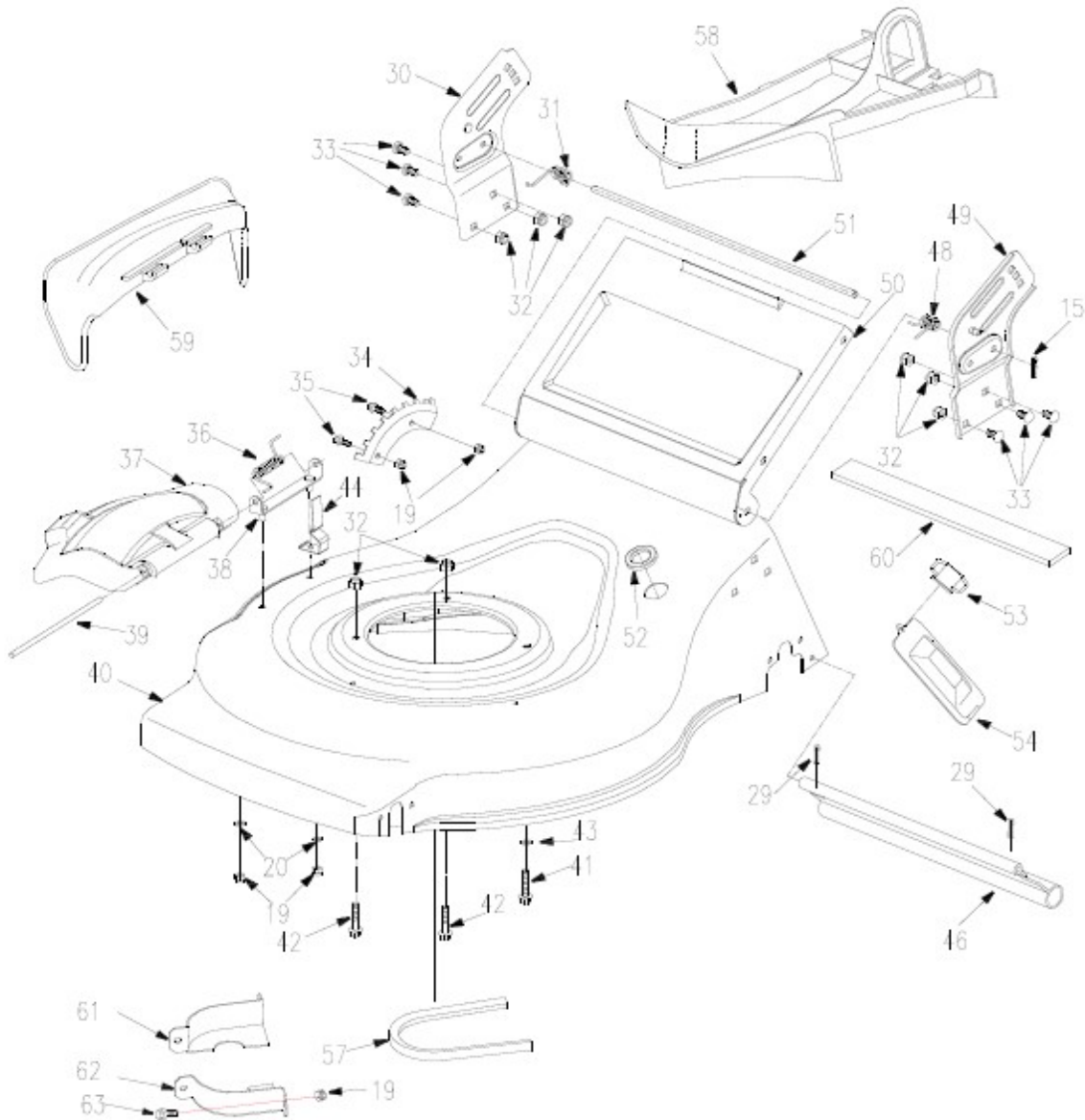


Parts Book For WYZ22H2-LC1P70F-3-B01



Ref. No.	Parts No.	Description	QTY
8	2011307	Handle Grip	1
9	2203201A	Drive Clutch Lever	1
10	GB16674.1-06055	Bolt M6×55	1
11	2203031	Upper Handlebar	1
16	2203101	Blade Control Handle	1
17	GB923-06	Nylon Insert Lock Nut M6mm	1
18	WORD18.6-05	Guy Hook	1
19	GB6182-06	Nylon Insert Lock Nut M6mm	1
20	GB97.1-06	Washer 6	2
21	2215400A	Throttle Control Assembly	1
22	2203351	Cable Unit	1
23	2011031	Cable Clamp	2
25	2203032	Lower Handlebar	1
26	GB801-08040	Square Neck Bolt M8×40mm	2
28	2203003	Bracket	1
122	1850049	Screw	2
123	GB879-06019	Spring Pin	2
124	1600511	Quick Fix	2
125	2003022	Washer	2
126	1850006	Knob Nut M8mm	4

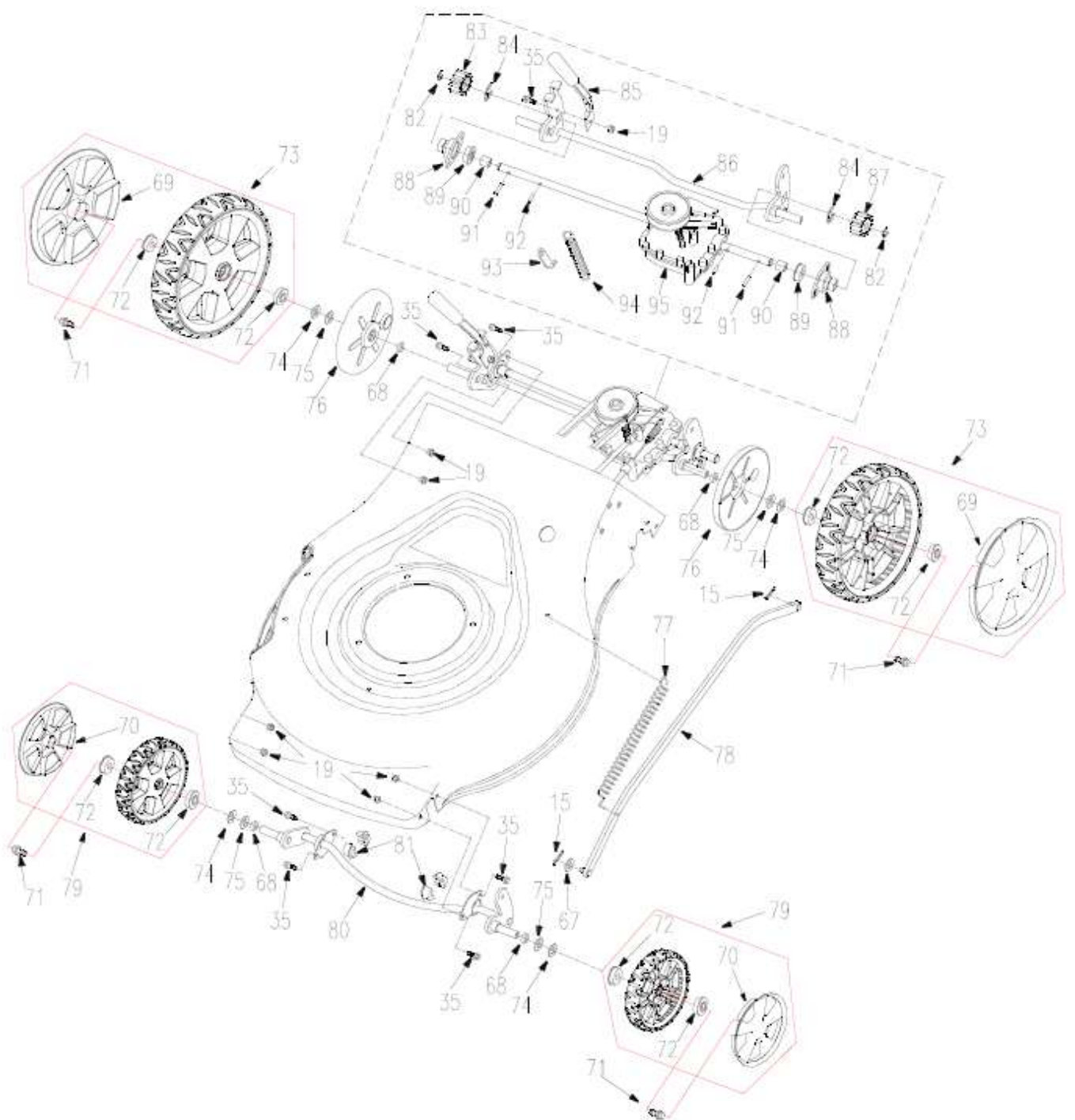


Ref. No.	Parts No.	Description	QTY
15	XSZ56-1-17	Hair Pin	1
19	GB6182-06	Nylon Insert Lock Nut M6mm	7
20	GB97.1-06	Washer 6	2
29	GB91-02020	Pin 2×20	2
30	2205000A	Right Bracket	1
31	2200003A	Torsion Spring, Right	1
32	GB6182-08	Locknut M8	8
33	GB801-08016	Square Neck Bolt M8X16mm	6
34	2200052A	Height Adjustment Rack	1
35	GB16674.1-06016	Hex Hd. Flange Bolt M6X16mm	2
36	2200021	Torsion Spring	1

Parts List to be continued Next page

Continued from previous page

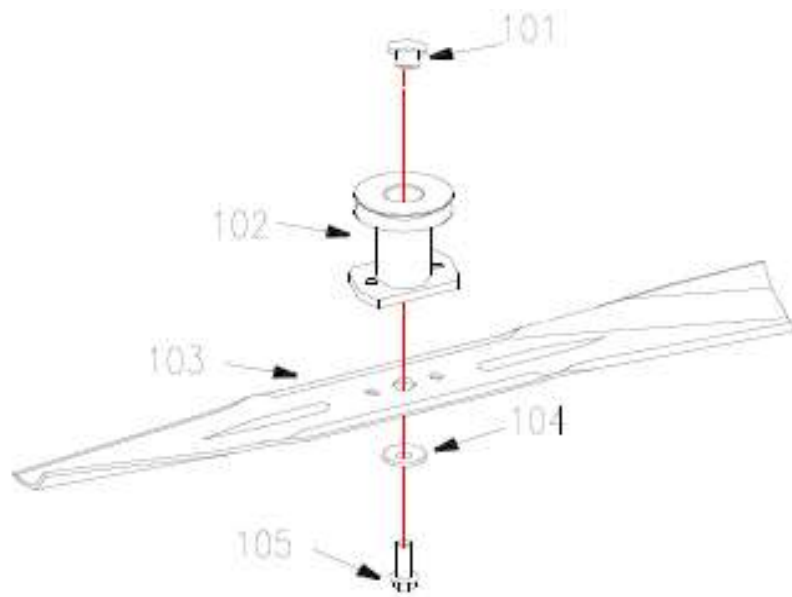
Ref. No.	Parts No.	Description	QTY
15	XSZ56-1-17	Hair Pin	1
19	GB6182-06	Nylon Insert Lock Nut M6mm	7
20	GB97.1-06	Washer 6	2
29	GB91-02020	Pin 2×20	2
30	2205000A	Right Bracket	1
31	2200003A	Torsion Spring, Right	1
32	GB6182-08	Locknut M8	8
33	GB801-08016	Square Neck Bolt M8X16mm	6
34	2200052A	Height Adjustment Rack	1
35	GB16674.1-06016	Hex Hd. Flange Bolt M6X16mm	2
36	2200021	Torsion Spring	1
37	2200060	Mulch Cover	1
38	2200063	Mounting Bracket, Discharging Chute	1
39	2200019	Anti Rotation Bracket	1
40	2208040	Deck	1
41	GB16674.1-08030	Bolt M8×30	1
42	GB16674.1-08040	Square Neck Bolt M8×40mm	2
43	GB93-08	Washer 8	1
44	1850130	Limited plate	1
46	XSS46-15A	Rear Guard	1
48	2200002A	Torsion Spring, Left	1
49	2204000A	Left Bracket	1
50	2200004	Rear Cover	1
51	2200001A	Rod, Rear Cover	1
52	4LZ2.16.4-04	Rubber Ring	1
53	2100012	Wing Nuts	1
54	2008011	Guard	1
57	2200056	V-Belt A813	1
58	2200054	Mulching Plug	1
59	2200017	Side Discharge Chute	1
60	2200036	Rubber Strip 3×25×360	1
61	2200058	Belt Cover, Right	1
62	2200057	Belt Cover, Left	1
63	GB16674.1-06012	Hex Hd. Flange Bolt M6×12mm	3



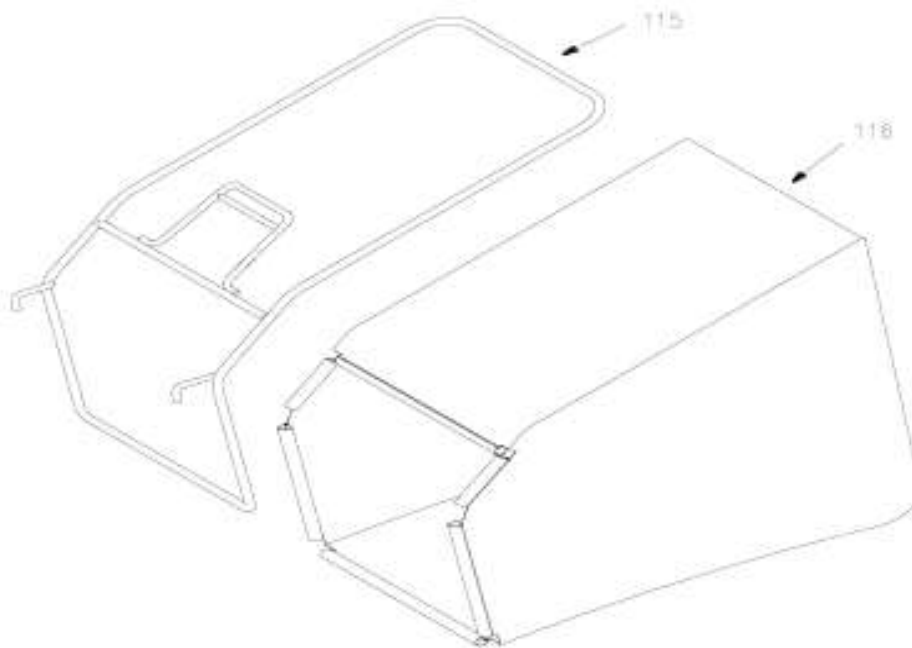
Parts List to be continued Next page

Continued from previous page

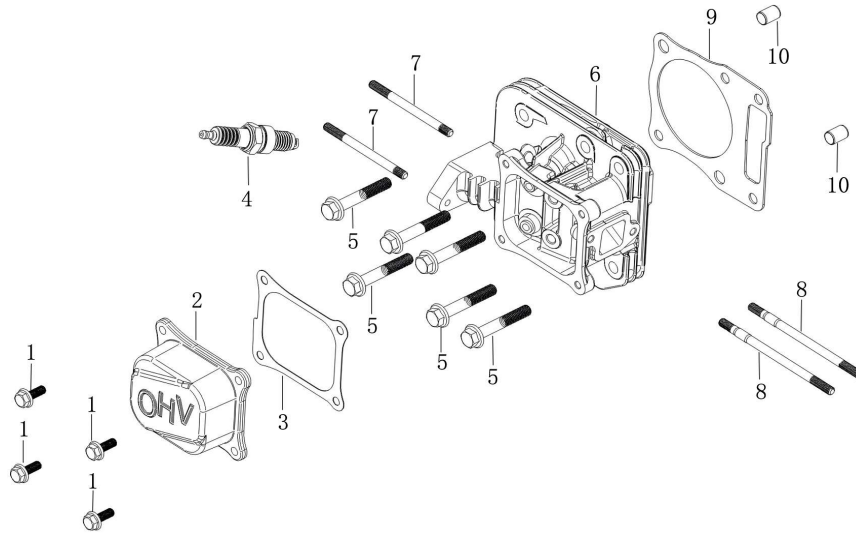
Ref. No.	Parts No.	Description	QTY
15	XSZ56-1-17	Hair Pin	2
19	GB6182-06	Nylon Insert Lock Nut M6mm	9
35	GB16674.1-06016	Hex Hd. Flange Bolt M6X16mm	9
67	2000086	Washer	2
68	2007401	Bushing	4
69	01111	Hub Cap	2
70	00801	Hub Cap	2
71	GB16674.1-08016	Square Neck Bolt M8X16mm	4
72	2201002	Nylon Bearing 1/2"	4
73	01110	11" wheel	2
74	GB97.1-12	Washer 12	4
75	GB955-12	Washer 12	4
76	0110001	Cover	2
77	2200053	Tension Spring	1
78	2202030	Haul Shank Seam	1
79	00800	8" wheel	2
80	2209030	Front Shaft Assembly	1
81	WORD18-01	Nylon Bearing 1/2"	4
82	GB896-09	E-Clip 9mm	2
83	2200033	Pinion Gear, Right	1
84	XSZ56-2-06	E-Clip 19mm	2
85	2207200	Cutting Height Adjustment Lever	1
86	2207031A	Rear Axle Assembly	1
87	2200032	Pinion Gear, Left	1
88	2207002A	Bearing Housing	2
89	2207003	Wheel Bearing 8806	2
90	2207001	Bushing	2
91	XSZ56-2-08	Roll Pin	2
93	2100496	Support Plate	1
94	2200065	Transmission Tension Spring	1
95	84533	GT transmission	1



Ref. No.	Parts No.	Description	QTY
101	2019002	Bushing	1
102	2012100D	Blade Adaptor Pulley	1
103	2200039	Blade	1
104	XSZ56-2-17	Washer	1
105	2200010	Bolt	1

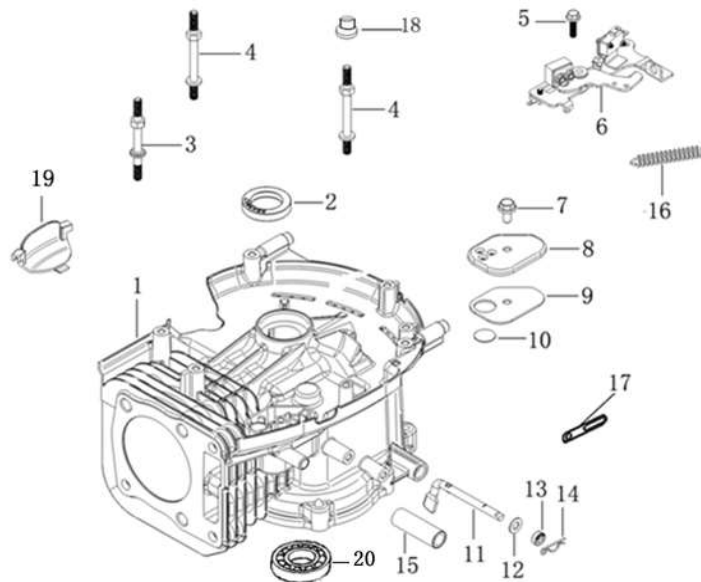


Ref. No.	Parts No.	Description	QTY
115	2206100	Bag Frame	1
116	2206200	Fabric Bag	1



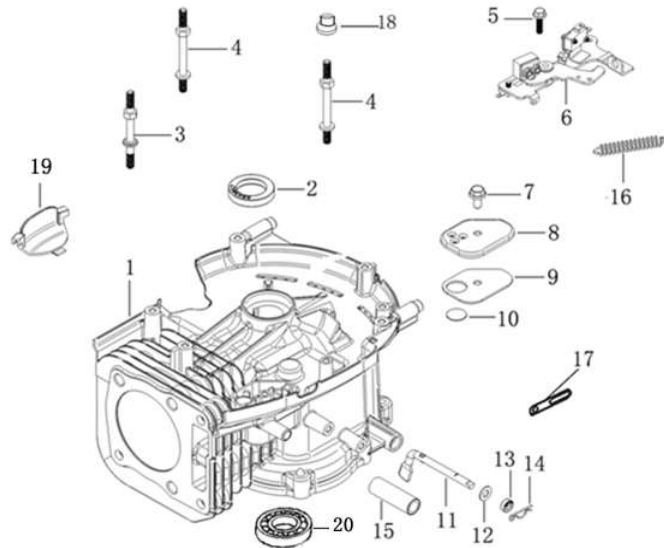
CYLINDER HEAD

No.	Part No.	Description		Reqd. QTY
1	380140013-0005	Hexagon bolt with flange	GB/T 5789_M6_L=16;镀蓝白锌Q16	4
2	120230152-0001	Cylinder head cover	T450_2#_铝合金;	1
3	120250059-0001	Gasket for cylinder head cover	T450_不含石棉纸垫;	1
4	270960014-0001	Spark plug	F7RTC_无干扰;	1
5	380140339-0001	Hexagon bolt with flange	T320_M8_L=50;镀蓝白锌Q16	6
6	120080609-0002	Cylinder head	T450;通机规格变更号TJ-GGBG 2018062	1
7	380180114-0001	Stud	T300_M6_L=84;镀蓝白锌Q16	2
8	380180093-0001	Stud	T040_M6_L=113;镀蓝白锌Q16	2
9	120150262-0002	Gasket for cylinder head	T342_石墨;通机规格变更号TJ-GGBG 20	1
10	380600117-0001	ocation pin	T040_d=10_L=14;	2



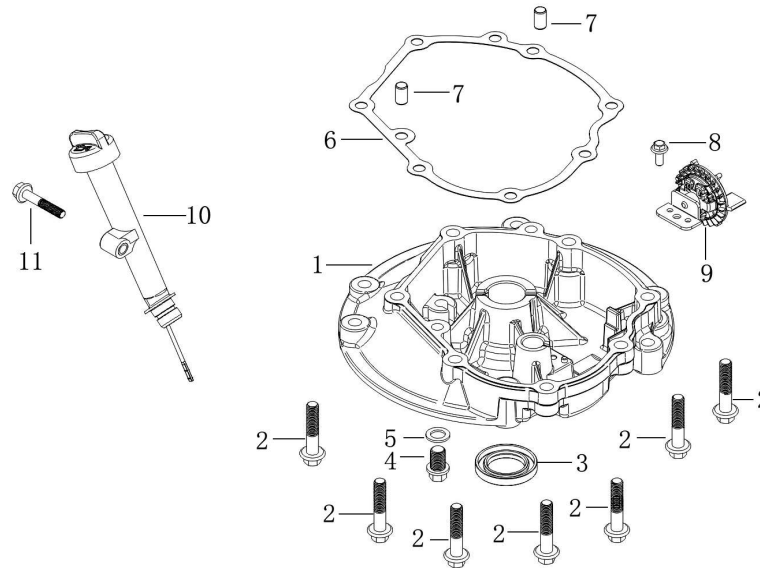
CRANK CASE

No.	Part No.	Description		Reqd. QTY
1	110810409-0002	Crankcase body	T342_2#_可装轴承;通机规格变更号TJ-GGBG 201806210002,增加一个缸头螺栓孔	1
2	380650335-0001	Oil seal	T320_d=25_D=38_b=7;	1
3	380850002-0001	Stay stud	T320_M6_L=78.5;镀蓝白锌Q16	1
4	380850006-0001	Stay stud	T340_M6_L=85;镀蓝白锌Q16	2
5	380140086-0002	Hexagon bolt with flange	GB/T 5789_M6_L=22;镀蓝白锌Q16	1
6	293030019-0001	Engine brake	T450_普通状态;	1
7	380140067-0003	Hexagon bolt with flange	GB/T 5789_M6_L=12;镀蓝白锌Q16	1
8	110840031-0001	CAP,BREATHER CHAMBER	T450;	1
9	110850021-0001	PACKING, BREATHER CHAMBER	T450_软木橡胶板;	1
10	110860005-0001	Breath fin	T302;	1
11	171630023-0001	Speed regulating arm	T450;	1
12	380450527-0001	Flat washer	T05K_T21_内径6_外径13_厚度1_65Mn;氧化Q07	1
13	380650338-0001	Oil seal	T320_d=6_D=11_b=4;	1
14	381350004-0001	Pin clip	T040_调速臂用;	1



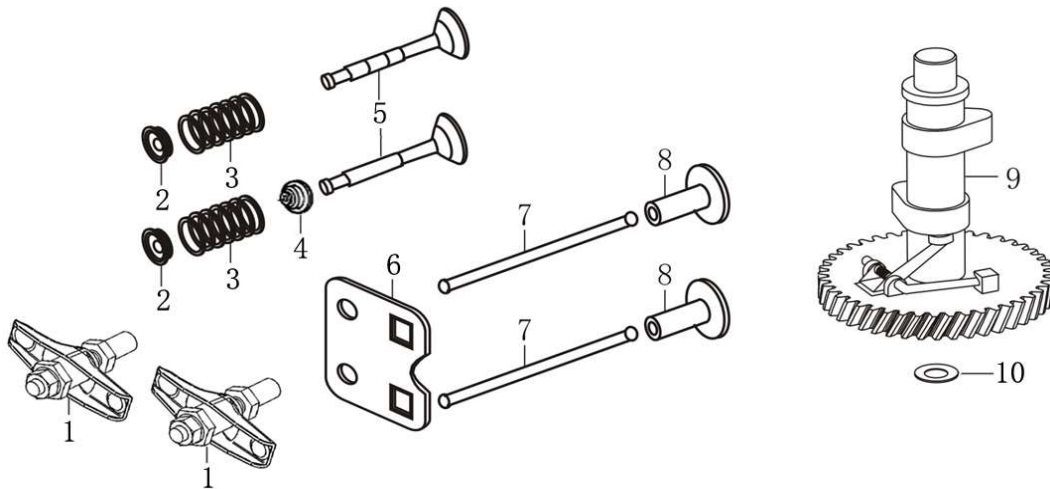
CRANK CASE

No.	Part No.	Description		Reqd. QTY
15	380741158-0002	Breather tube	T450_Φ10×Φ15×45_直管_废气管;满足ROHS要求	1
16	381140580-0001	Tension spring	T450_制动器弹簧;	1
17	380940346-0003	Cable cleat	T560;满足REACH和ROHS要求	1
18	380822372-0001	Bushing	T320_外径10(带Φ16.5台阶)_内径7_长12_风扇罩衬套_T型;	1
19	160200068-0002	Side plate	T450_塑料;技术通知单第JS-2021-0084号_满足REACH要求	1
20	380630137-0002	Bearing	GB/T 276_6205;	1



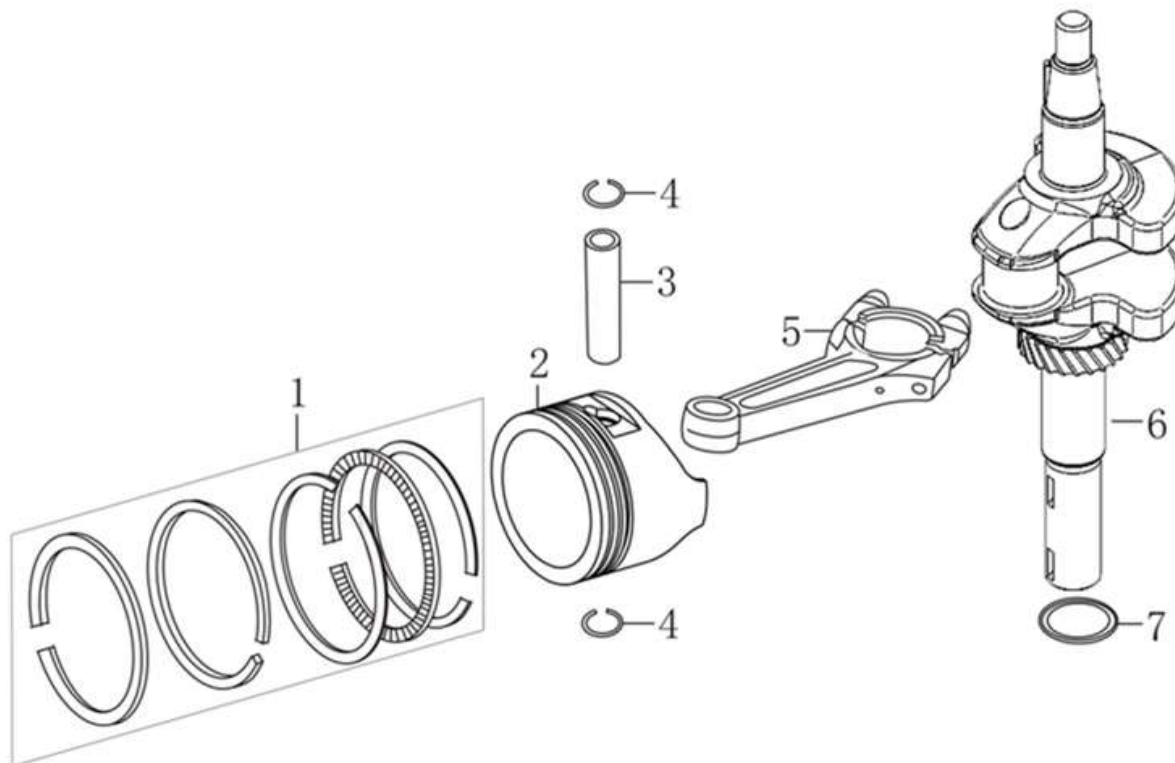
CRANK CASE COVER

No.		Description		Reqd. QTY
1	110820220-0001	Crankcase cover	T450_8#,侧面放油螺栓孔_安装高度45;	1
2	380140005-0006	Hexagon bolt with flange	GB/T 16674.1_M8_L=40;镀蓝白锌Q16	7
3	380650347-0001	Oil seal	T320_d=25_D=41.25_b=6_丙烯酸脂CII;含Hg/Cr6/Pb/PBB/PBDE≤1000ppm,Cd≤100ppm	1
4	110260025-0001	Sealing plug screw	T040_M10×1.25×15;镀蓝白锌Q16	1
5	380450514-0001	Flat washer	T040_T21_内径10_外径16_厚度1.5_铝及铝合金;	1
6	110830062-0001	Crankcase cover gasket	T450;	1
7	380600120-0001	ocation pin	T040_d=8_L=14;	2
8	380140167-0002	Hexagon bolt with flange	GB/T 16674.1_M5_L=12;镀蓝白锌Q16	1
9	171750031-0001	Components of governor gear	T450;	1
10	110690105-0002	Oil rule combination	T450_2#,加油管加大;本色黄5#Q82,杆氧化发黑Q07	1
11	380140100-0003	Hexagon bolt with flange	GB/T 5789_M6_L=35;镀蓝白锌Q16	1



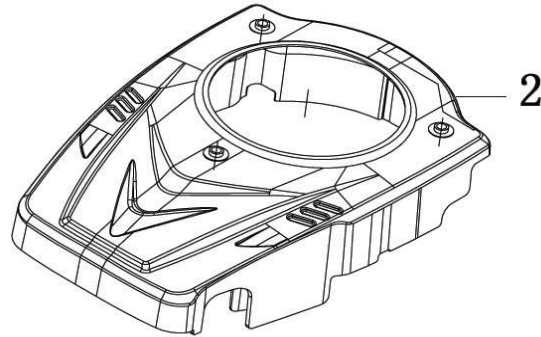
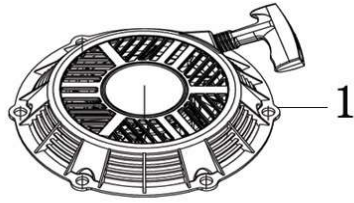
Camshaft

No.	Part No.	Description		Reqd. QTY
1	140450022-0001	Valve rocker combination	T040;含Hg/Cr6/Pb/PBB/PBDE≤1000ppm,Cd≤100ppm	2
2	140380020-0001	Retainer, valve spring	T320_排气门用;	2
3	140340039-0001	Inner spring of valve	T322_7圈;含Hg/Cr6/Pb/PBB/PBDE≤1000ppm,Cd≤100ppm	2
4	140400016-0001	Valve oil seal	T05K;含Hg/Cr6/Pb/PBB/PBDE≤1000ppm,Cd≤100ppm	1
5	500550076-0001	Valve Kit	T450;	1
6	140710015-0001	Plate, push rod guide	T450;镀蓝白锌Q16	1
7	140670032-0001	Push rod	T350_长140_整体实芯;	2
8	140690002-0001	Lifter, Valve	T040;含Hg/Cr6/Pb/PBB/PBDE≤1000ppm,Cd≤100ppm	2
9	140020189-0001	Camshaft assy	T450_塑料齿2#;	1
10	380450534-0001	Flat washer	T320_T21_内径14.2_外径20_厚度1;抛光Q04	1



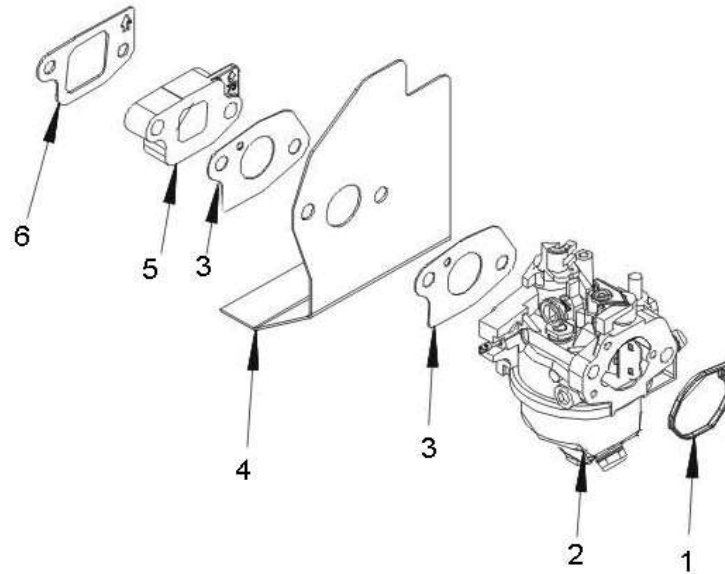
CRANKSHAFT/PISTON

No.	Part No.	Description		Reqd. QTY
1	130070187-0001	Piston ring combination	T072_一二环厚1mm,油环组合厚2.5mm;含Hg/Cr6/Pb/PBB/PBDE≤1000ppm,Cd≤100ppm	1
2	130030208-0001	Piston	T072_一二环槽宽1mm;含Hg/Cr6/Pb/PBB/PBDE≤1000ppm,Cd≤100ppm	1
3	130060031-0001	Piston pin	T040_φ18×54;含Hg/Cr6/Pb/PBB/PBDE≤1000ppm,Cd≤100ppm	1
4	380560056-0001	Steel cable baffle ring	T040_活塞销挡圈;	2
5	130150149-0001	Connecting rod	T330_2#;	1
6	130290696-0002	crankshaft	T450_T轴_连杆轴颈空心,箱盖安装高45;粉末冶金齿轮	1
7	380450518-0001	Flat washer	T320_T21_内径25.4_外径34_厚度1;氧化Q07	1



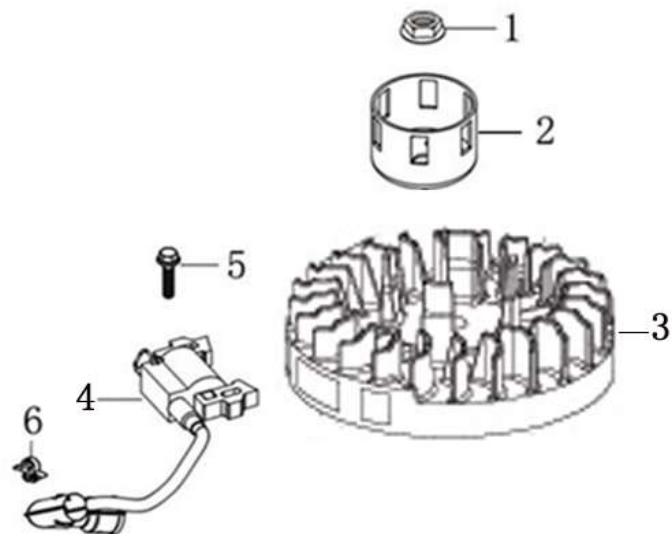
STARTER

No.	Part No.	Description		Reqd. QTY
1	193500113-0006	Manual starting components	T450_1#;通机规格变更FM202005050067_本色黑6#Q80	1
2	160210120-0001	Fan cover comp.	T450_2#;本色黑6#Q80	1



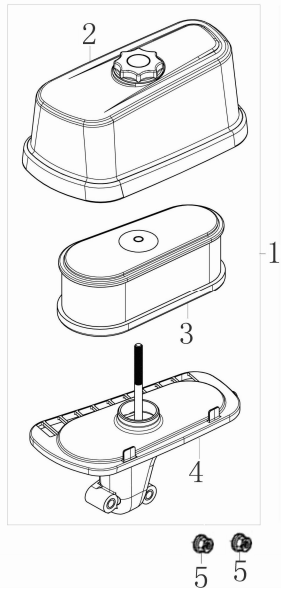
CARBURETOR

No.	Part No.	Description	规格状态	Reqd. QTY
1	170430177-0001	Carburetor gasket	T450_氟橡胶_空滤器垫;红色	1
2	170022158-0001	Carburetor	T342_欧V_防篡改,短阻风门轴;带E5标识_油杯镀蓝白锌Q16_油门拉杆孔孔径2.8	1
3	170430147-0001	Carburetor gasket	T320_厚0.5_无石棉,BNS-JM101_化油器与隔热垫之间的密封垫;	2
4	170450007-0001	Heat insulating plate for carburetor	T450_钢架混压无石棉复合板;	1
5	170440090-0001	Heat insulating pad for carburetor	T450_厚12_隔热块;	1
6	170430174-0001	Carburetor gasket	T450_厚0.5_不含石棉_进气管密封垫;	1



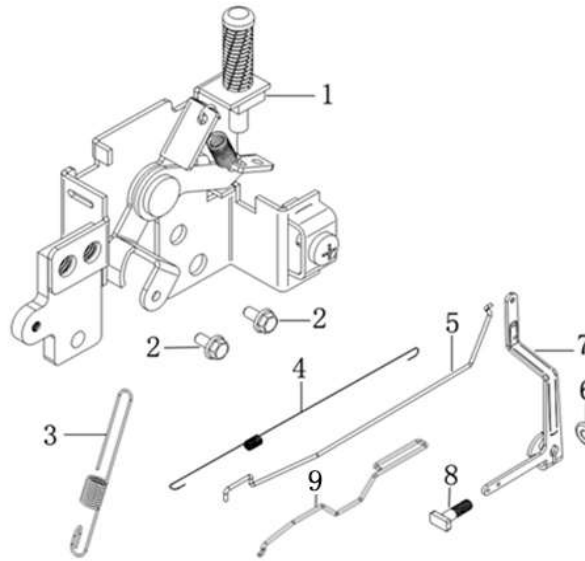
FLYWHEEL/Ignition Comp

No.	Part No.	Description		Reqd. QTY
1	380370051-0001	Hexagon nut with flange	T040_M14×1.5;镀蓝白锌Q16	1
2	193590005-0001	Starting disc	T040;镀蓝白锌Q16	1
3	270020254-0001	FLYWHEEL COMP	T352_电起动用_铝飞轮,带叶轮;	1
4	270920696-0001	COIL ASSY.,IGNNTION	T450_9#_抗干扰,带5kΩ金属屏蔽帽_配制动器用;熄火线长230_满足REACH要求	1
5	380140086-0002	Hexagon bolt with flange	GB/T 5789_M6_L=22;镀蓝白锌Q16	1
6	380930025-0001	Location wire nail	T320_燕尾卡;	1



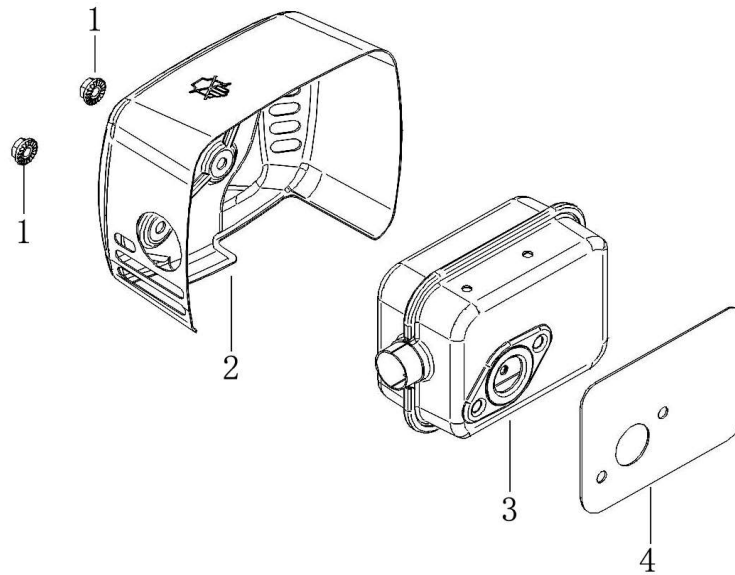
AIR CLEANER

No.	Part No.	Description		Reqd. QTY
1	180020744-0002	Air filter	T450;满足REACH要求	1
2	180070228-0001	Air filter casing cover	T450;	1
3	180100096-0001	Air filter element	T450;	1
4	180280092-0001	Air filter seat	T450	1
5	380370066-0001	Hexagon nut with flange	GB/T 6177.1_不带防滑齿_M6;镀蓝白锌Q16	2



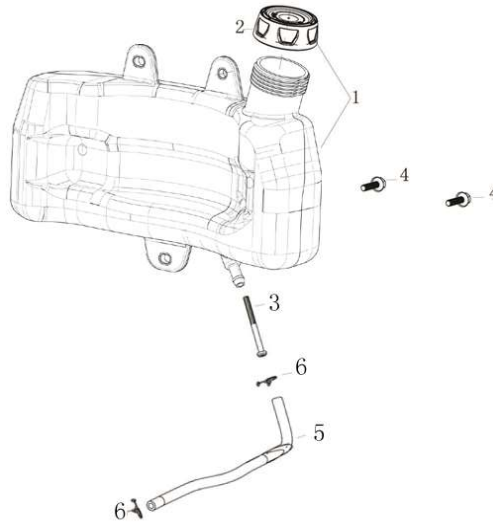
CONTROL SYSTEM

No.	Part No.	Description		Reqd. QTY
1	171680037-0001	Throttle handle combination	T320_3#,可带熄火开关;镀蓝白锌 Q16	1
2	380140067-0003	Hexagon bolt with flange	GB/T 5789_M6_L=12;镀蓝白锌Q16	2
3	171600080-0001	Governing spring	T450_10圈,簧径0.8,长60;	1
4	171610024-0001	throttle return spring	T450;	1
5	171590038-0001	Throttle rod	T450_杆径2.5;	1
6	380370066-0001	Hexagon nut with flange	GB/T 6177.1_不带防滑齿_M6;镀蓝白锌Q16	1
7	171620015-0003	Speed regulating bracket	T320;带方头平端紧定螺钉/六角法兰面螺母_不带防滑齿_镀蓝白锌Q16	1
8	380250002-0001	Square head set screw with flat point	T040_M6_L=21(13mm);调速支架固定	1
9	171650032-0001	Choke valve pull rod	T450_长145;	1



MUFFLER

No.	Part No.	Description		Reqd. QTY
1	380370048-0001	Hexagon nut with flange	GB/T 6177.1_M6;镀蓝白锌Q16	2
2	180960143-0001		T450_前排气;	1
3	180571972-0001	Muffler	T450_前排气;	1
4	180660081-0001	Muffler gasket	T450;	1



Fuel tank

No.	Part No.	Description		Reqd. QTY
1	170490217-0001	Tank	T450;本色黑6#Q80	1
2	170870094-0001	Tank cover	T320_2#_油箱盖通气板;本色黑6#Q80_丁腈橡胶密封垫	1
3	170010017-0001	Fuel filter	T350_250目;	1
4	380020071-0001	Hexagon shaft shoulder bolt	T370_M6×15(Φ10×1.8);镀蓝白锌Q16	2
5	380750234-0002	Oil tube	T320_内径5.5_外径9.5_长285;PAHS认证	1
6	380950190-0001	Pipe clip	T320_油管卡圈;	2