



ARIENS

EDGE CE

Parts Manual

Models:

915338 – EDGE 34 CE
(SN 000101 +)

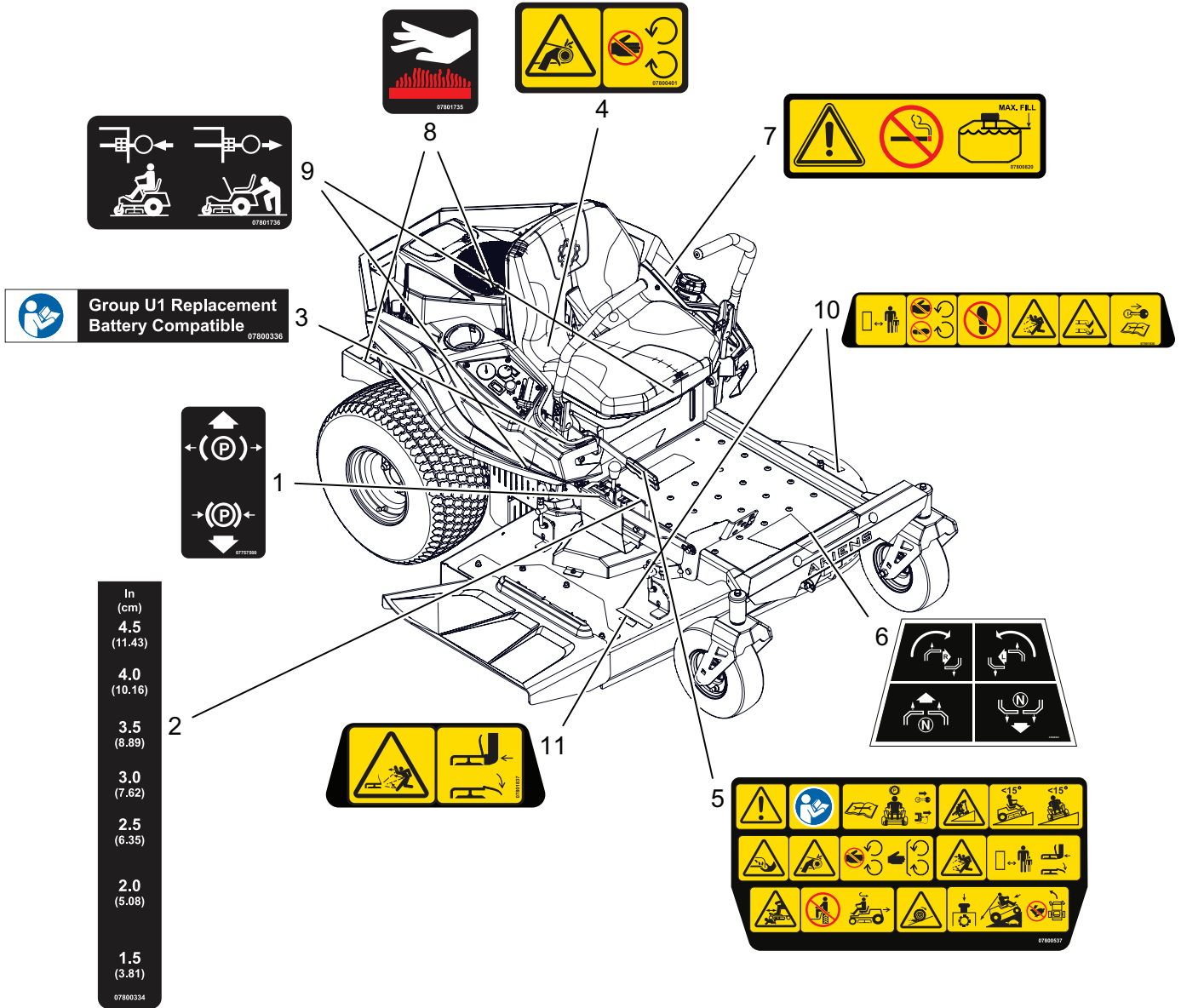
915339 – EDGE 42 CE
(SN 000101 +)

TABLE OF CONTENTS

Decals – Safety	3
Decals – Style – 34"	4
Decals – Style – 42"	5
Frame – 34"	6
Frame – 42"	7
Engine – Ariens 635cc.....	8
Muffler Guarding.....	9
Rear Wrap and Engine Guards	10
Seat and Seat Support	11
Fenders	12
Fuel System.....	13
Steering Controls.....	14
Parking Brake	15
Front and Rear Wheels – 34"	16
Front and Rear Wheels – 42"	17
Transaxles and Idler Pulley – 34"	18
Transaxles and Idler Pulley – 42"	19
Control Panel.....	20
Electrical	21
Wiring Diagram	22
Continuity Diagram	23
Deck Lift – 34"	24
Deck Lift – 34" (Continued)	25
Deck Lift – 42"	26
Deck Lift – 42" (Continued)	27
Deck, Belt, Blades, and Spindles – 34"	28
Deck, Belt, Blades, and Spindles – 42"	29
Idlers and Sheaves – 34"	30
Idlers and Sheaves – 42"	31
Belt Guard and Baffle – 34"	32
Belt Guard – 42"	33
Discharge Chute – 34"	34
Discharge Chute and Baffle – 42"	35

DECALS – SAFETY

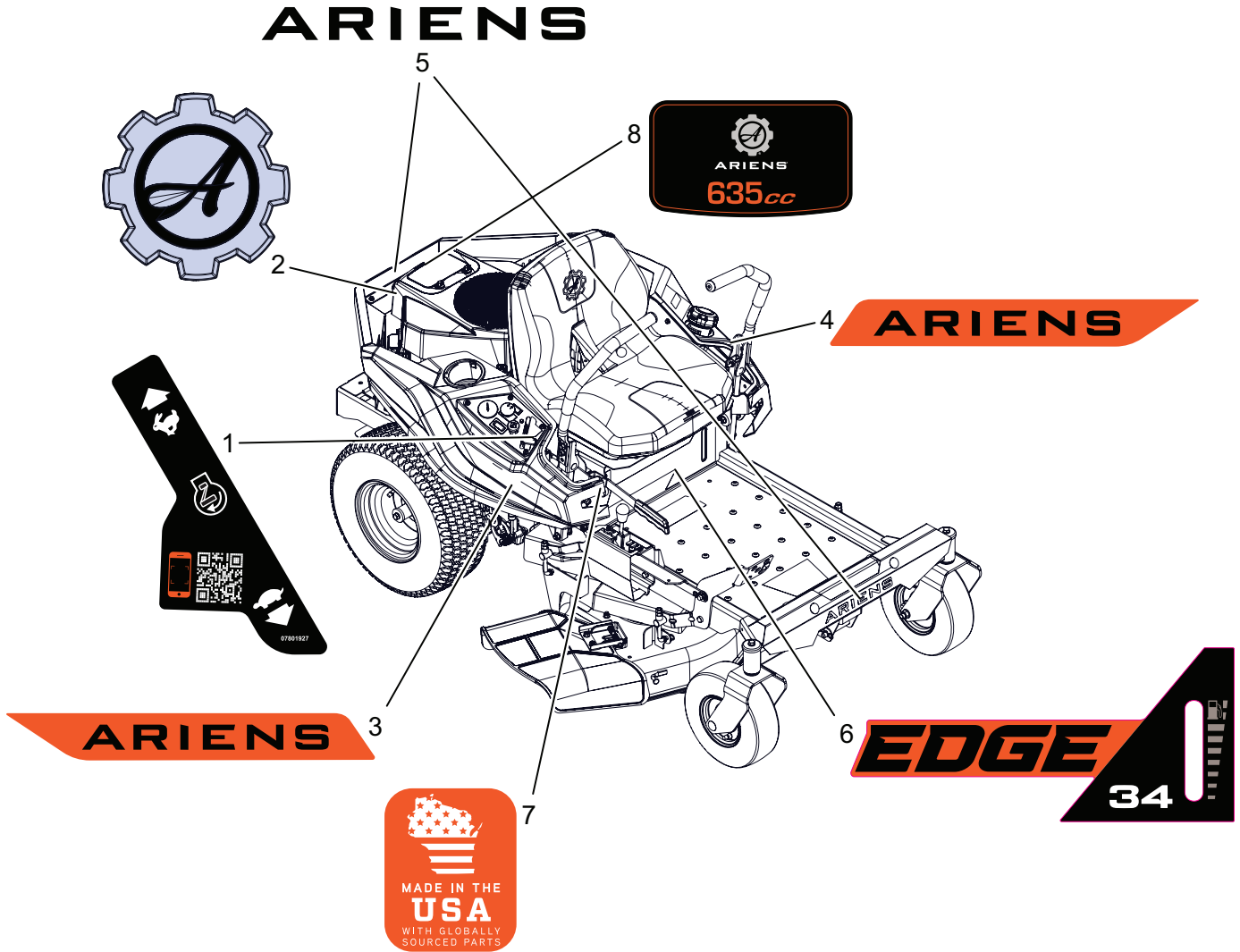
Model All



BOM ID	Number	Qty	Description
1	07757500	1	DECAL, PARKING BRAKE LEVER
2	07800334	1	DECAL, HEIGHT OF CUT
3	07800336	1	DECAL, INSTRUCTION - U1 REPLACEMENT BATTERY
4	07800401	1	DECAL, SAFETY - GUARDING
5	07800537	1	DECAL, MAIN SAFETY
6	07800541	1	DECAL, INSTRUCTION - STEERING
7	07800820	1	DECAL, FUEL WARNING
8	07801735	2	DECAL, SAFETY HOT SURFACE
9	07801736	2	DECAL, TRANSAXLE DISCONNECT
10	07801836	2	DECAL, SAFETY -MOWER DECK
11	07801837	1	DECAL, SAFETY -DECK GUARDING

DECALS – STYLE – 34"

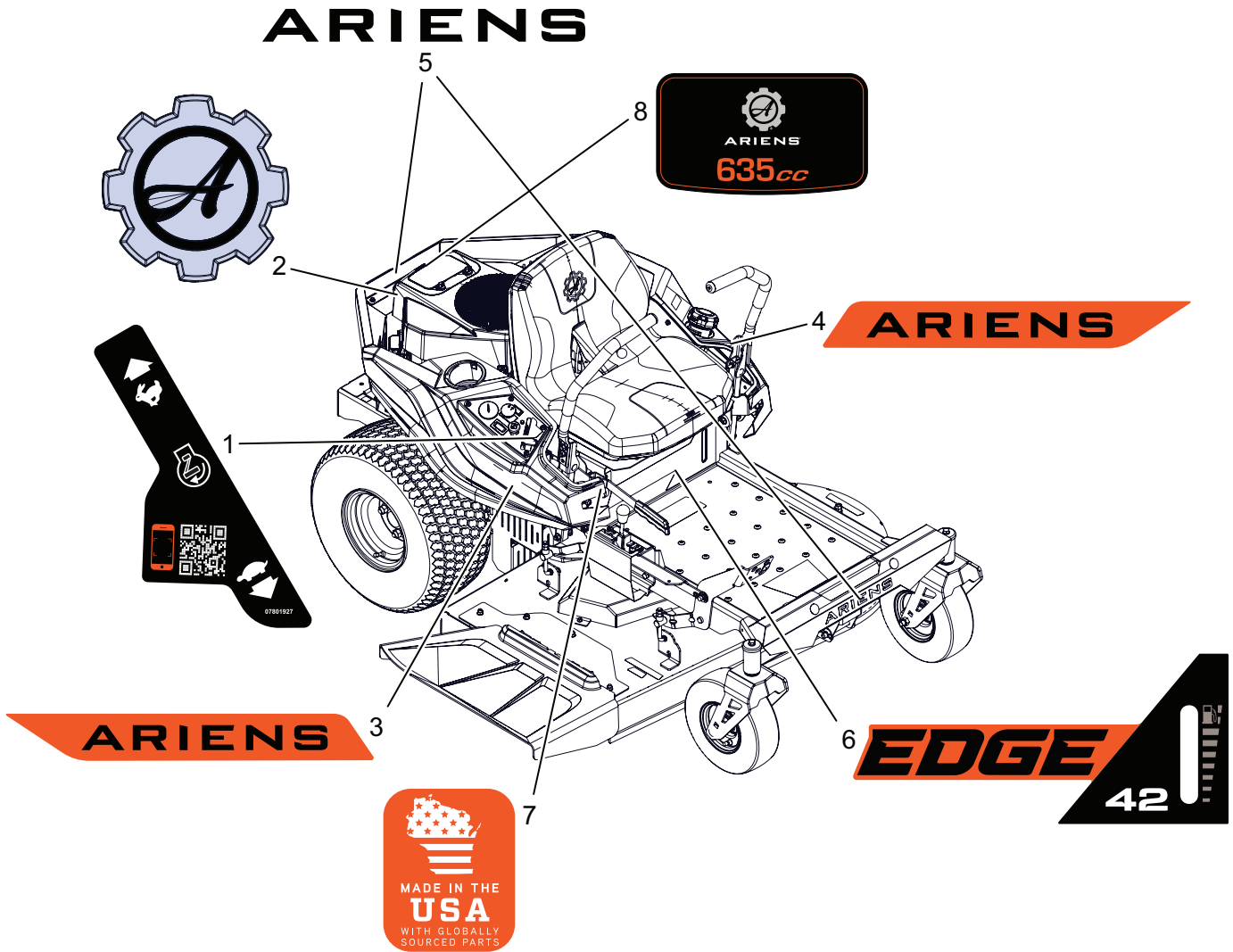
Model 915338



BOM ID	Number	Qty	Description
1	07801927	1	DECAL, THROTTLE CONTROL
2	07801627	1	DECAL, ARIENS GEAR BADGE
3	07801732	1	DECAL, ARIENS (FENDER RH)
4	07801733	1	DECAL, ARIENS (FENDER LH)
5	07801734	2	DECAL, ARIENS 9.625" BLACK
6	07801738	1	DECAL, EDGE 34 KICKPLATE
7	07801832	1	DECAL, MADE IN USA
8	07802232	1	DECAL, ENGINE 635CC

DECALS – STYLE – 42"

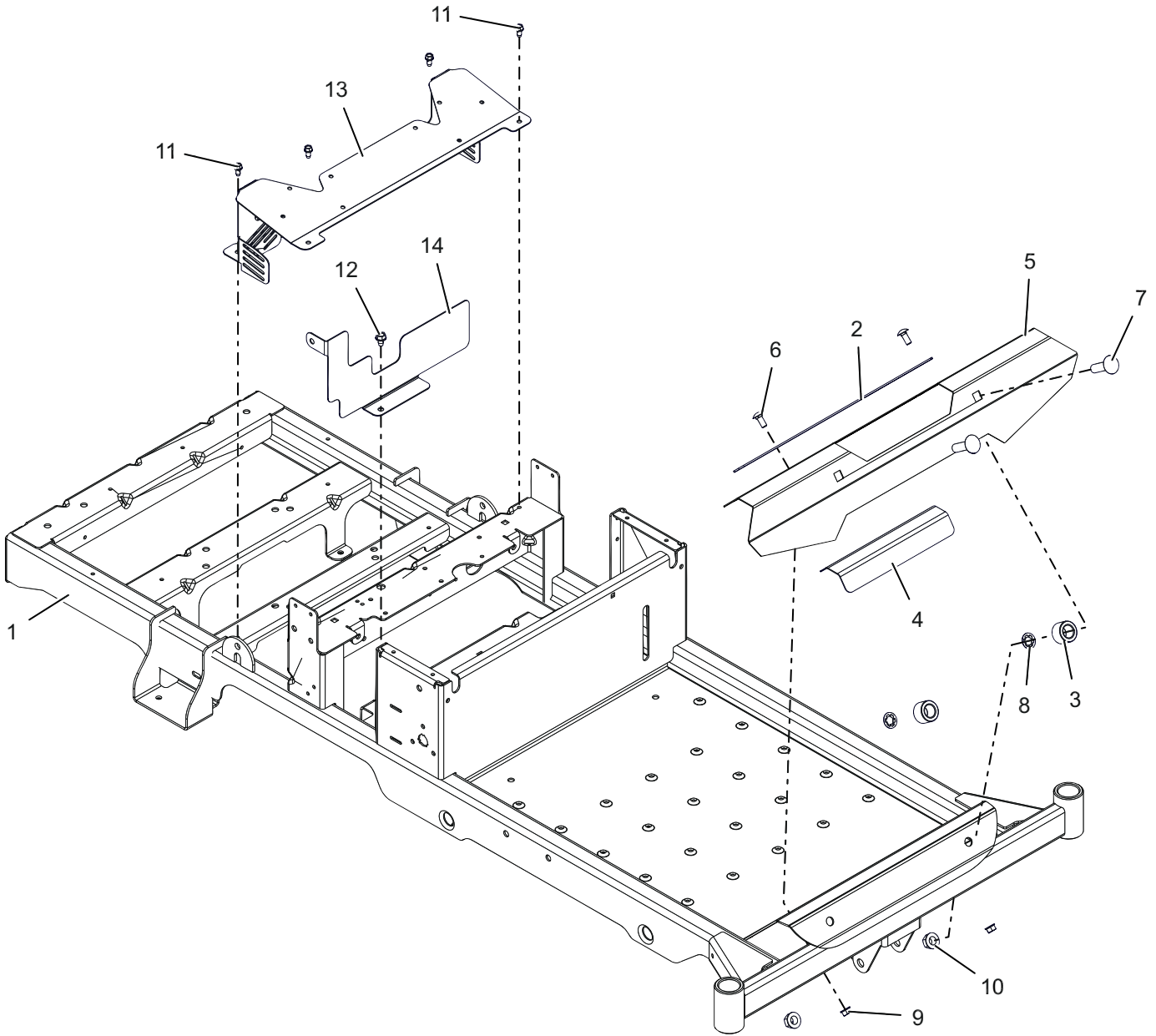
Model 915339



BOM ID	Number	Qty	Description
1	07801927	1	DECAL, THROTTLE CONTROL
2	07801627	1	DECAL, ARIENS GEAR BADGE
3	07801732	1	DECAL, ARIENS (FENDER RH)
4	07801733	1	DECAL, ARIENS (FENDER LH)
5	07801734	2	DECAL, ARIENS 9.625" BLACK
6	07801739	1	DECAL, EDGE 42 KICKPLATE
7	07801832	1	DECAL, MADE IN USA
8	07802232	1	DECAL, ENGINE 635CC

FRAME – 34"

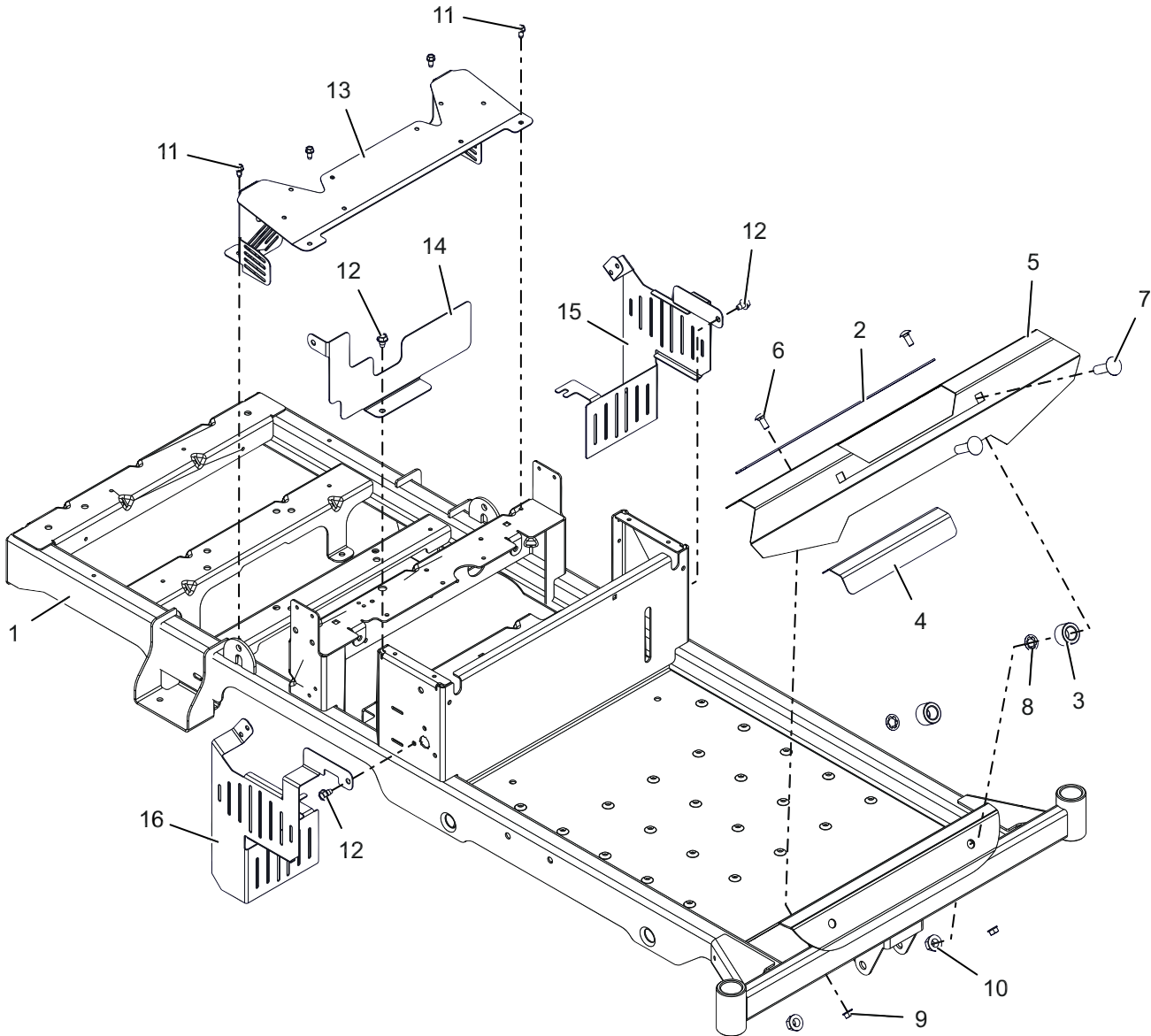
Model 915338



BOM ID	Number	Qty	Description
1	51538400	1	KIT, EDGE FRAME W/DECALS
2	03833800	1	GRIP, ADHESIVE (1" X 16" BLK)
3	04192901	2	TUBE, UPPER CONTROL PIVOT
4	05109100	1	GRIP, STEP
5	05291259	1	FOOTREST, (ORANGE)
6	06200309	2	BLT,RHSSN .313-18 X 0.75 G5 ZCC
7	06200330	2	BLT,RHSN .500-13 X 1.75 G5 ZCC
8	06500705	2	NUT, PUSH .50
9	06500840	2	NUT, FLG-CTR LK .312-18 GR5 ZCC
10	06500902	2	NUT, FLG-CTR LK .500-13 GF ZCC
11	07400122	4	SCR-TAP .25-20X.50 HWH ZCC
12	07400124	1	SCR-TAP .312-18X.50 HWH ZCC
13	30215451	1	PLATE, FAN GUARD,CE (BLACK)
14	30216551	1	GUARD, TRANSAXLE UNDER SEAT CE (BLACK)

FRAME - 42"

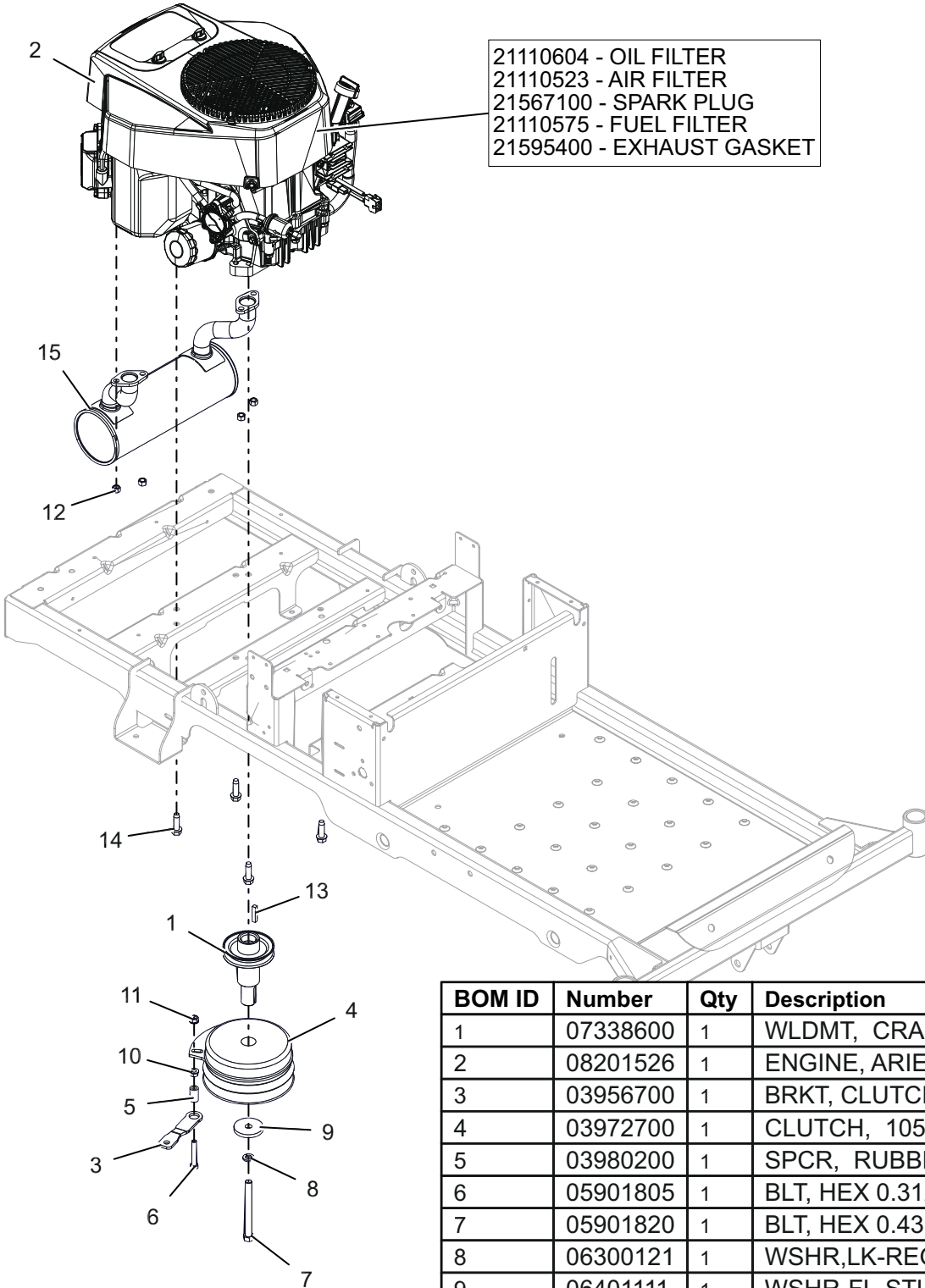
Model 915339



BOM ID	Number	Qty	Description
1	51538400	1	KIT, EDGE FRAME W/DECALS
2	03833800	1	GRIP, ADHESIVE (1" X 16" BLK)
3	04192901	2	TUBE, UPPER CONTROL PIVOT
4	05109100	1	GRIP, STEP
5	05291259	1	FOOTREST, (ORANGE)
6	06200309	2	BLT,RHSSN .313-18 X 0.75 G5 ZCC
7	06200330	2	BLT,RHSN .500-13 X 1.75 G5 ZCC
8	06500705	2	NUT, PUSH .50
9	06500840	2	NUT, FLG-CTR LK .312-18 GR5 ZCC
10	06500902	2	NUT, FLG-CTR LK .500-13 GF ZCC
11	07400122	4	SCR-TAP .25-20X.50 HWH ZCC
12	07400124	3	SCR-TAP .312-18X.50 HWH ZCC
13	30215451	1	PLATE, FAN GUARD,CE (BLACK)
14	30216551	1	GUARD, TRANSAXLE UNDER SEAT CE (BLACK)
15	30216651	1	SHIELD, LOWER TRANSAXLE LH CE (BLACK)
16	30216751	1	SHIELD, LOWER TRANSAXLE RH CE (BLACK)

ENGINE – ARIENS 635cc

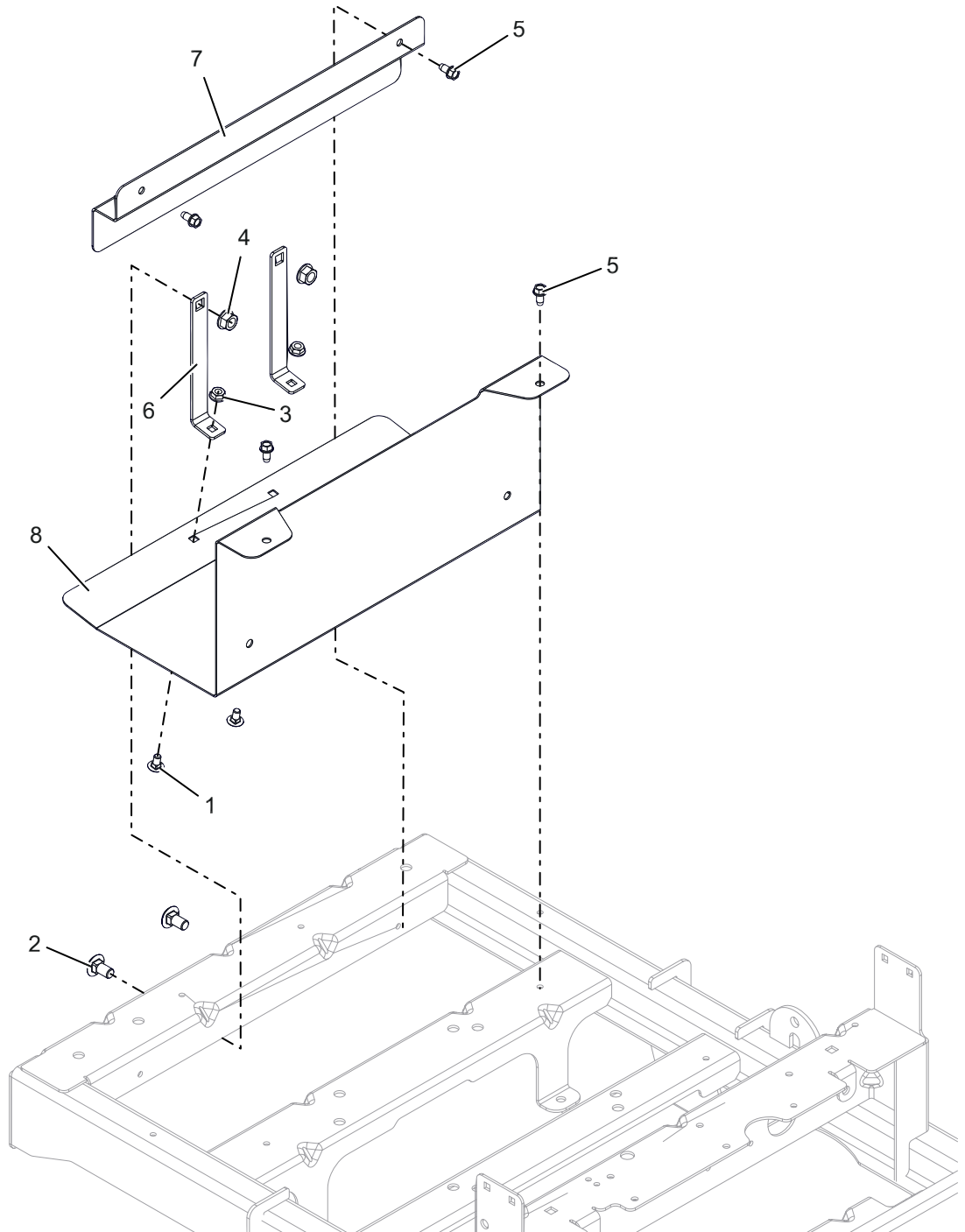
Model All



BOM ID	Number	Qty	Description
1	07338600	1	WLDMT, CRANKSHAFT EXTENSION
2	08201526	1	ENGINE, ARIENS 635cc
3	03956700	1	BRKT, CLUTCH
4	03972700	1	CLUTCH, 105 FT*LB MONO POLE
5	03980200	1	SPCR, RUBBER 5/16 ID X 1.0 LG
6	05901805	1	BLT, HEX 0.3125-18X2 GR5 ZCC
7	05901820	1	BLT, HEX 0.4375-20X4.5 G8 ZCC NT
8	06300121	1	WSHR,LK-REG 0.44 X 0.109 ZCC
9	06401111	1	WSHR-FL-STL 0.469X2X0.25 ZCC
10	06500815	1	NUT, FLG-SPNLK .312-18 GR5 ZC120
11	06500840	1	NUT, FLG-CTR LK .312-18 GR5 ZCC
12	06500919	4	NUT, HEX-TOP LK M8-1.25 ZCC
13	06603400	1	KEY-SQ .250X.250X1.250
14	07400128	4	SCR-TAP .38-16X1.25 HWH ZCC
15	30216400	1	MUFFLER, LONCIN 635CC

MUFFLER GUARDING

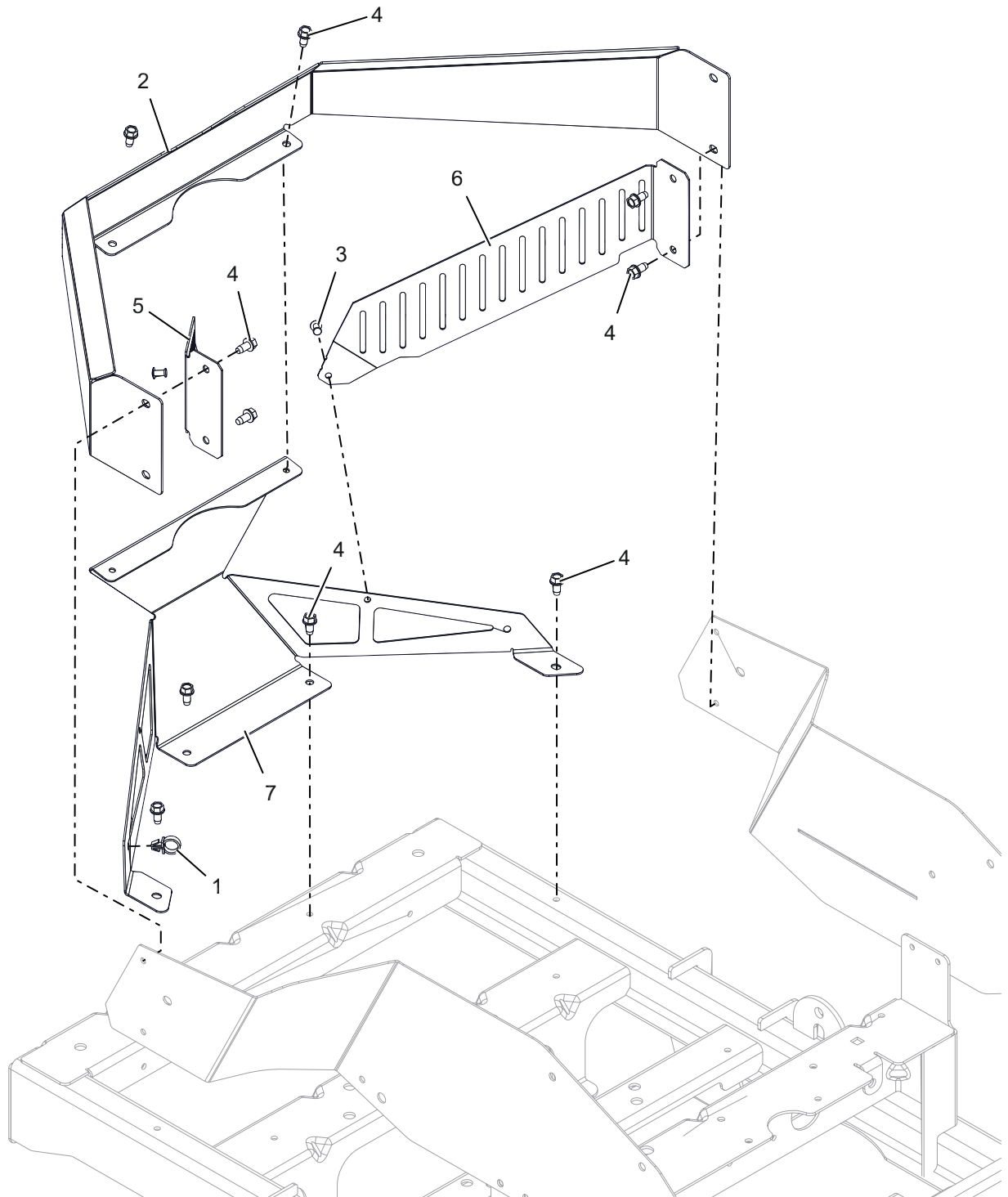
Model All



BOM ID	Number	Qty	Description
1	06200306	2	BLT,RHSN .250-20 X 0.5 G5 ZCC
2	06200312	2	BLT,RHSN .375-16 X 0.75 G5 ZCC
3	06500821	2	NUT, FLG-CTR LK .250-20 GR5 ZC120
4	06500901	2	NUT, FLG-CTR LK .375-16 GR5 ZC120
5	07400122	4	SCR-TAP .25-20X.50 HWH ZCC
6	30214851	2	STRAP, MUFFLER SHEILD,CE (BLACK)
7	30214951	1	GUARD, EXHAUST LONCIN,CE (BLACK)
8	30215251	1	SHIELD, MUFFLER EDGE,CE (BLACK)

REAR WRAP AND ENGINE GUARDS

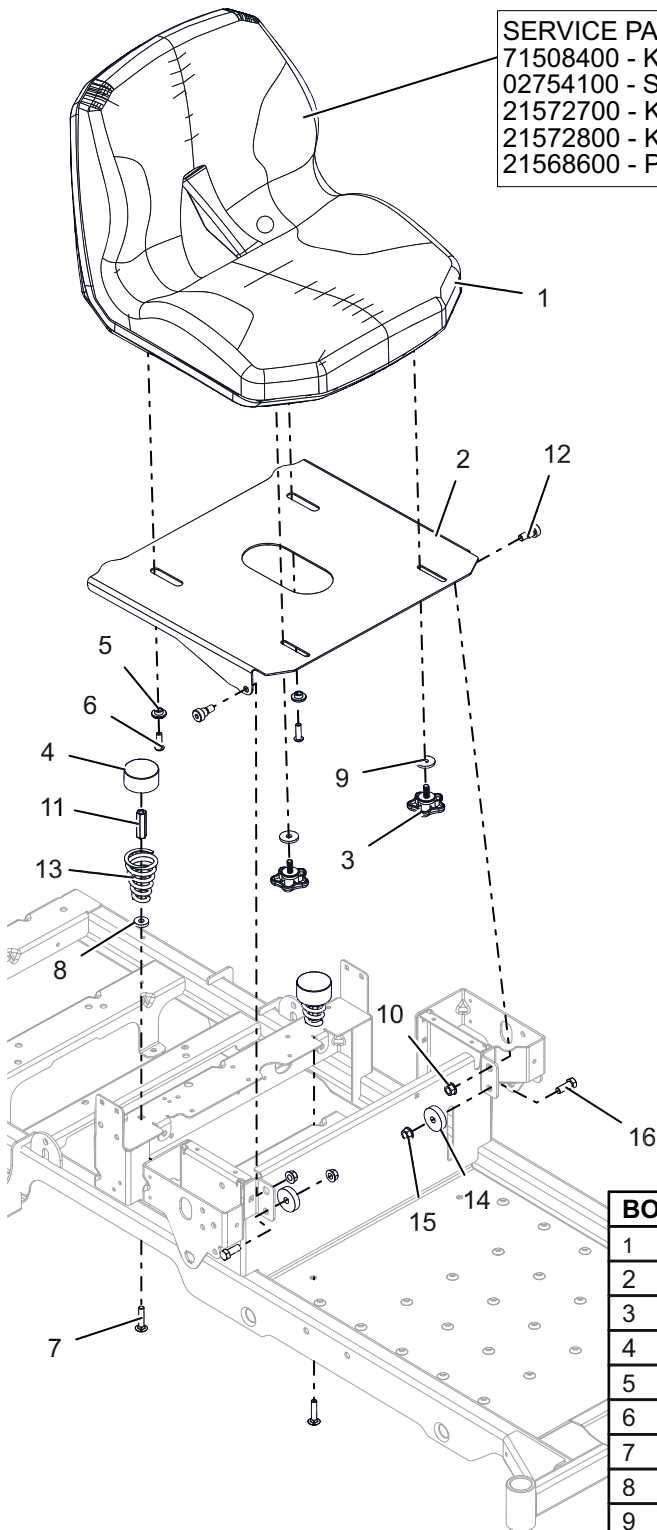
Model All



BOM ID	Number	Qty	Description
1	00367900	1	CLIP, ROUTING (.50 ID)
2	05287859	1	WRAP, REAR (ORANGE)
3	06815700	2	RVT, POP .187x.575 AL BLACK
4	07400122	10	SCR-TAP .25-20X.50 HWH ZCC
5	30215051	1	SHIELD, LH ENGINE GUARD EDGE CE (BLACK)
6	30215351	1	SHIELD, ENGINE GUARD EDGE CE (BLACK)
7	30215951	1	WRAP, REAR EDGE CE (BLACK)

SEAT AND SEAT SUPPORT

Model All

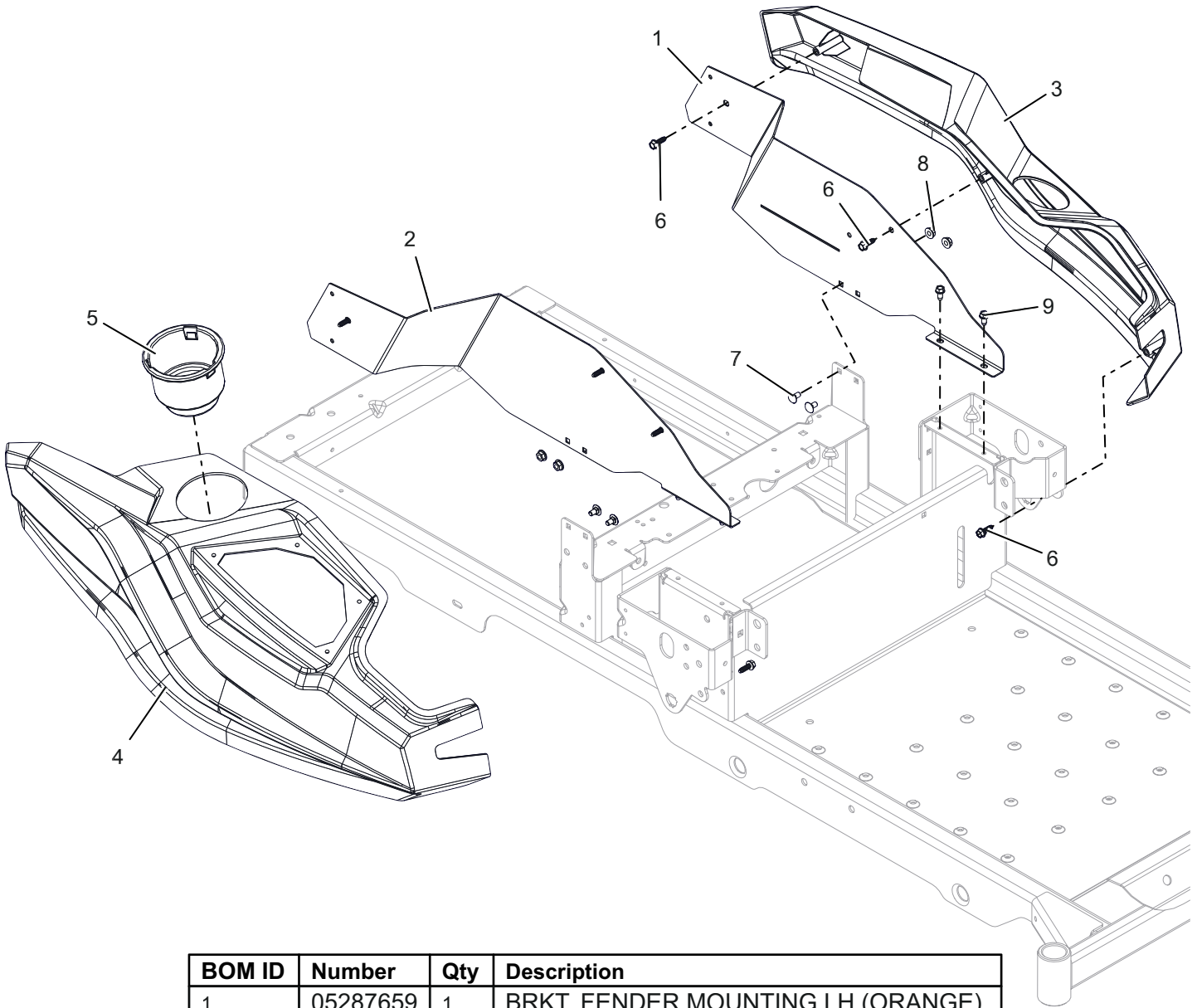


SERVICE PARTS:
 71508400 - KIT, ARM REST W/HARDWARE
 02754100 - SWITCH, SEAT
 21572700 - KIT, ARM REST LH ASSY
 21572800 - KIT, ARM REST RH ASSY
 21568600 - POLY PAD

BOM ID	Number	Qty	Description
1	05286100	1	SEAT, EDGE 2020
2	05289259	1	PLATE, SEAT (ORANGE)
3	07500226	2	KNOB, WING STUDDED
4	00337700	2	HUB CAP
5	05514800	2	BSHG FLANGE
6	05901840	2	SCR,BTNHD .31-18X1.00 ZCC
7	06200233	2	BTL,RHSN .313-18 X 1.5 G5 ZCC
8	06401103	2	WSHR-FL-STL 0.328X0.87X0.179 ZCC
9	06401104	2	WSHR-FL-STL 0.34X1.125X0.135 ZCC
10	06500822	2	NUT, FLG-TOP LK .375-16 GRF ZC120
11	06500927	2	NUT, COUPLER 5/16-18 x 1.75
12	07056500	2	BLT-SHLDR .500X.375X.38-16
13	08300021	2	SPRG, COMPRESSION
14	01594000	2	SPACER SLEEVED .39X1.50X.380
15	06500901	2	NUT, FLG-CTR LK .375-16 GR5 ZC120
16	05901711	2	BLT, HEX 0.375-16X1 GR5 ZC120

FENDERS

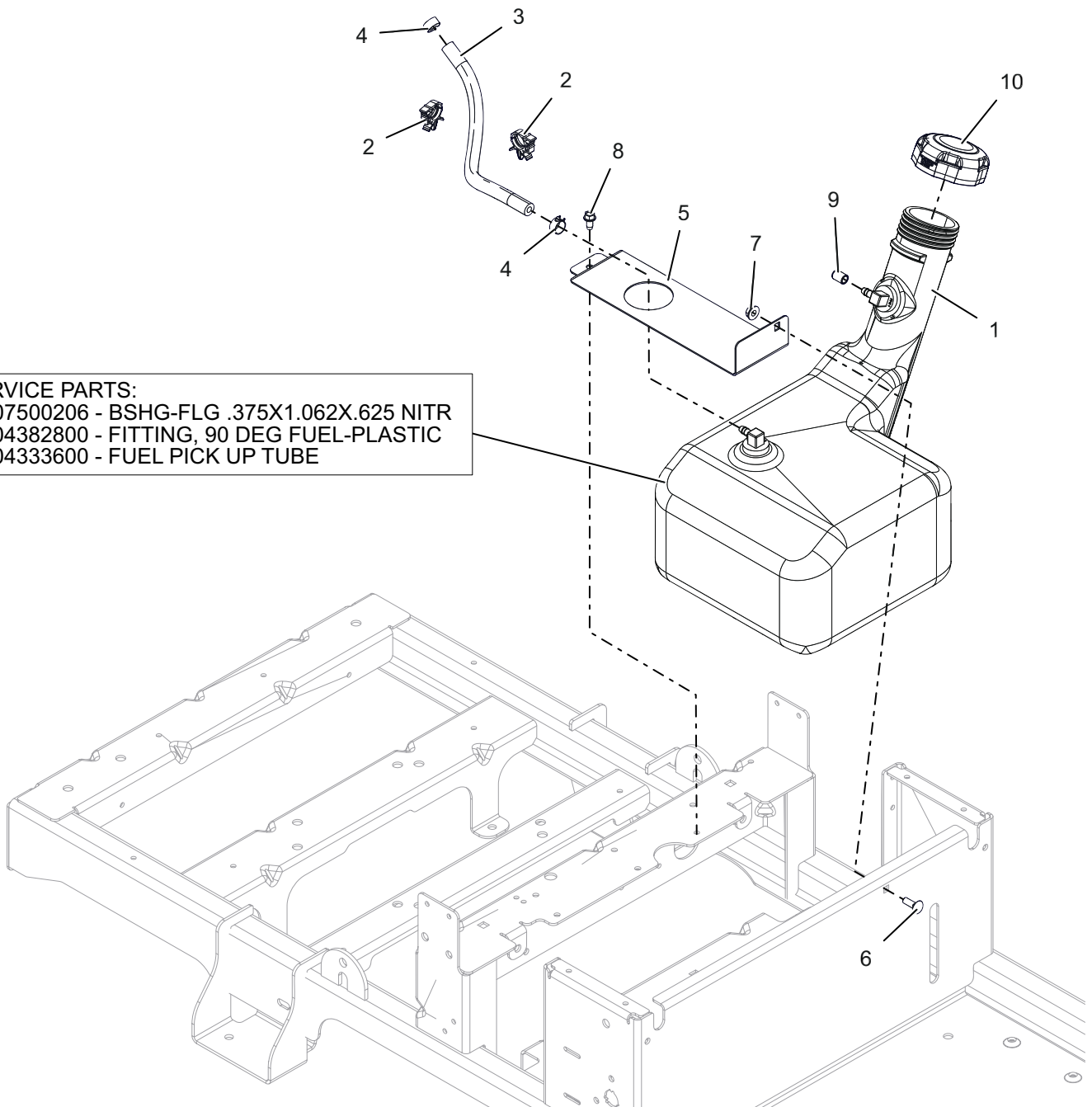
Model All



BOM ID	Number	Qty	Description
1	05287659	1	BRKT, FENDER MOUNTING LH (ORANGE)
2	05287759	1	BRKT, FENDER MOUNTING RH (ORANGE)
3	51535600	1	KIT-FENDER WITH DECAL
4	05289100	1	FENDER, RH - ZOOM
5	04192700	1	CUPHOLDER, SNAP-IN 3.75 OD
6	06100231	7	SCR, PLASTITE-HWH 0.25 X 0.75 ZC120
7	06200306	4	BTL,RHSN .250-20 X 0.5 G5 ZCC
8	06500821	4	NUT, FLG-CTR LK .250-20 GR5 ZC120
9	07400122	4	SCR-TAP .25-20X.50 HWH ZCC

FUEL SYSTEM

Model All



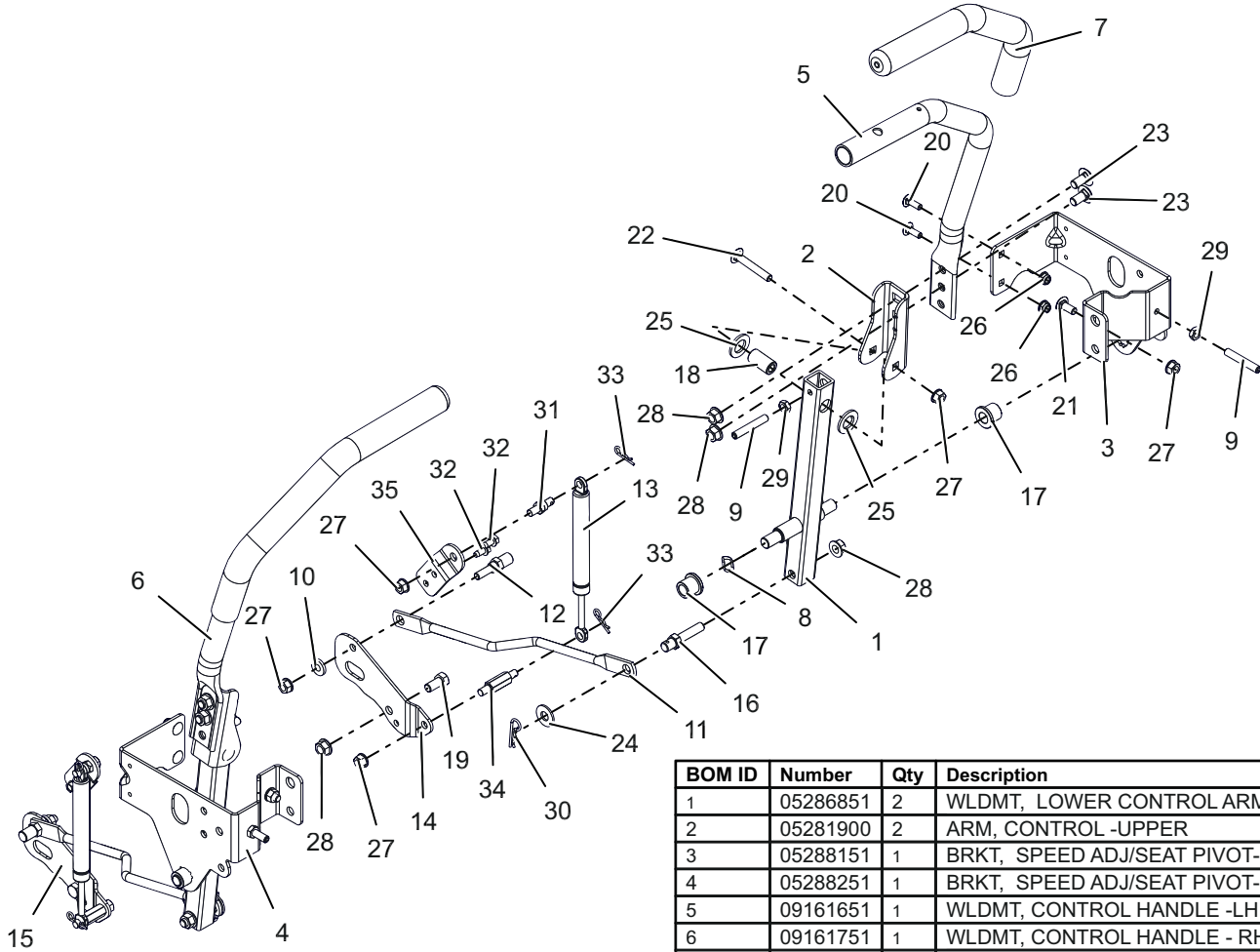
SERVICE PARTS:

- (2) 07500206 - BSHG-FLG .375X1.062X.625 NITR
- (1) 04382800 - FITTING, 90 DEG FUEL-PLASTIC
- (1) 04333600 - FUEL PICK UP TUBE

BOM ID	Number	Qty	Description
1	05244700	1	ASM, FUEL TANK
2	00390100	2	WIRE, CLIP
3	03278100	1	HOSE, 1/4" ID LOW PERM FUEL-8"LG.
4	03278800	2	CLAMP, FUEL LINE
5	03771451	1	BRKT, TANK
6	06200307	1	BLT,RHSN .250-20 X 0.75 G5 ZCC
7	06500821	1	NUT, FLG-CTR LK .250-20 GR5 ZC120
8	07400122	1	SCR-TAP .25-20X.50 HWH ZCC
9	07500604	1	CAP, FUEL OUTLET PORT
10	09190200	1	CAP, FUEL - 2.25 RATCHET INLET VENT

STEERING CONTROLS

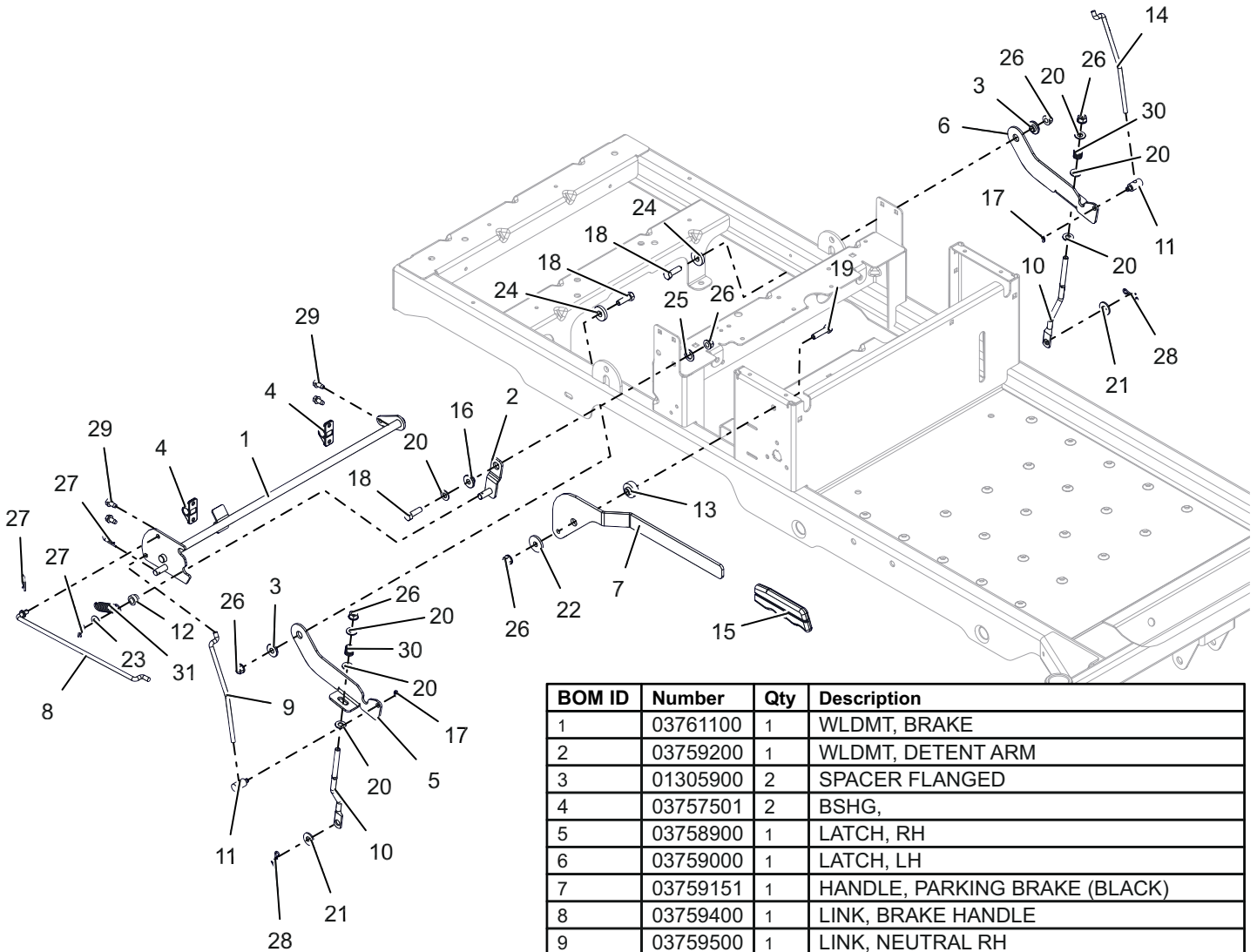
Model All



BOM ID	Number	Qty	Description
1	05286851	2	WLDMT, LOWER CONTROL ARM (BLACK)
2	05281900	2	ARM, CONTROL -UPPER
3	05288151	1	BRKT, SPEED ADJ/SEAT PIVOT-LH (BLACK)
4	05288251	1	BRKT, SPEED ADJ/SEAT PIVOT-RH (BLACK)
5	09161651	1	WLDMT, CONTROL HANDLE -LH (BLACK)
6	09161751	1	WLDMT, CONTROL HANDLE - RH (BLACK)
7	04257400	2	GRIP, HANDLEBAR 15" FOAM
8	00325400	2	WAVE WASHER .531X.781X.125 FH
9	06100301	4	SCR-SET, .312-18X2.000 SS
10	04147200	2	BUSHING FLANGED .316X.430X.225X.750
11	05282400	2	LINKAGE, STEERING
12	05282500	2	STUD, STEERING LINK-REAR
13	05160400	2	DAMPER, STRAIGHT MOUNT
14	03759351	1	PLATE, DAMPER
15	03766000	1	PLATE, DAMPER
16	05288400	2	STUD, STEERING LINK -FRONT
17	05501001	4	BUSHING FLANGE
18	05501411	2	BSHG, -SLV .342 X .627 X 1.171
19	05901702	2	BLT, HEX 0.375-16X0.75 GR5 ZC120
20	06200307	4	BTL,RHSSN .250-20 X 0.75 G5 ZCC
21	06200309	2	BTL,RHSSN .313-18 X 0.75 G5 ZCC
22	06200431	2	BTL,RHSSN .313-18 X 2 G5 ZCC
23	06200432	4	BTL,RHSSN .375-16 X 0.75 G5 FPB
24	06401008	2	WSHR-FL-STL 0.438X1X0.083 ZC120
25	06401130	4	WSHR, FRICTION
26	06500813	4	NUT, LK-NYL-FLG .25-20 GR5 ZC120
27	06500840	10	NUT, FLG-CTR LK .312-18 GR5 ZCC
28	06500901	8	NUT, FLG-CTR LK .375-16 GR5 ZC120
29	06500909	4	NUT, JAM .312-18 GR5 ZCC
30	06700219	2	PIN, HAIR .09 X 1.50 ZCC
31	05171400	2	COUPLER, DAMPER MOUNT
32	07400122	4	SCR-TAP .25-20X.50 HWH ZCC
33	06700222	4	PIN, HAIR #213 .08X1.19 ZCC
34	09157100	2	COUPLER, DAMPER MOUNT (LOWER)
35	09155951	2	PLATE, DAMPER TOP MOUNTING (BLACK)

PARKING BRAKE

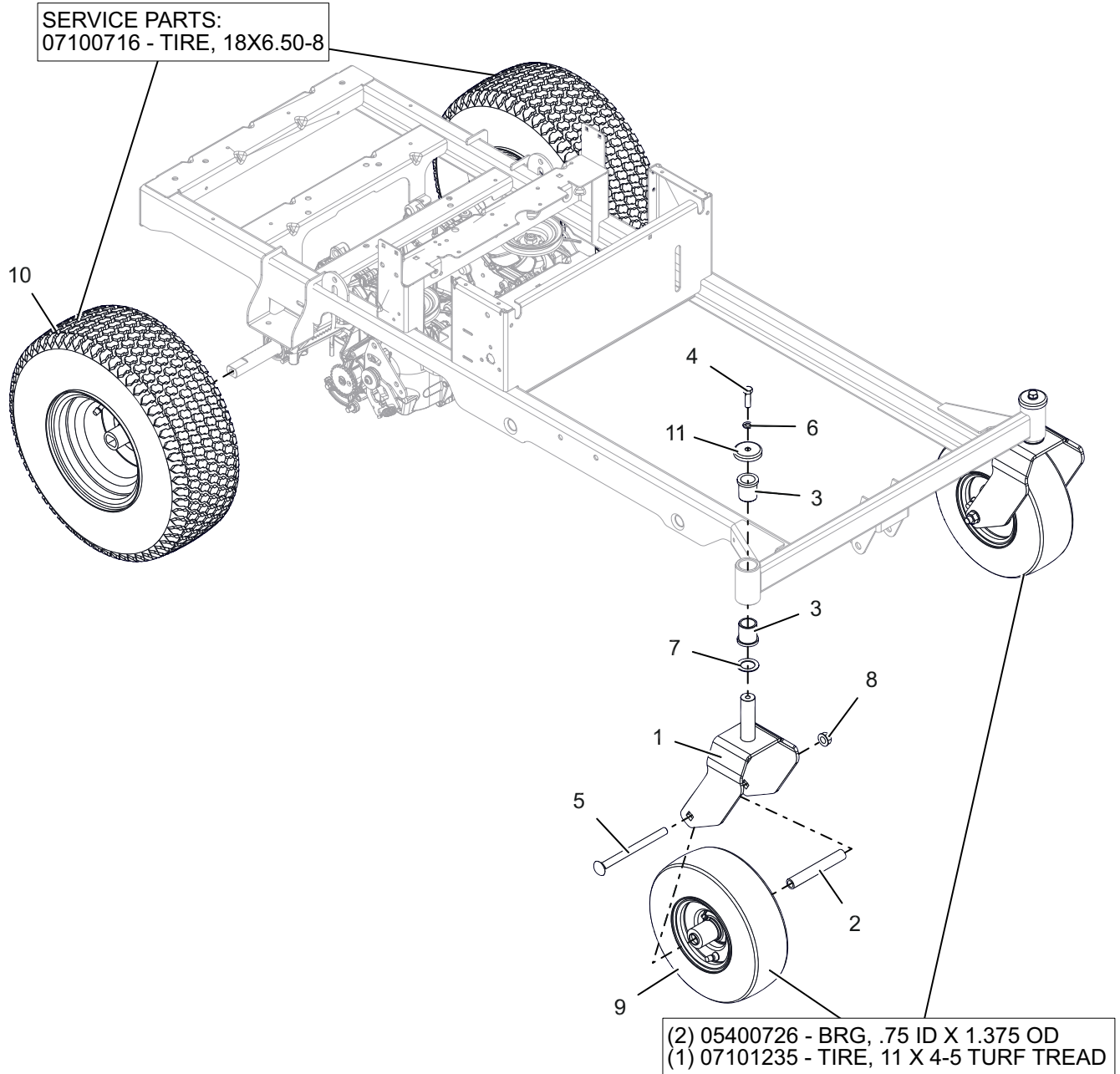
Model All



BOM ID	Number	Qty	Description
1	03761100	1	WLDMT, BRAKE
2	03759200	1	WLDMT, DETENT ARM
3	01305900	2	SPACER FLANGED
4	03757501	2	BSHG,
5	03758900	1	LATCH, RH
6	03759000	1	LATCH, LH
7	03759151	1	HANDLE, PARKING BRAKE (BLACK)
8	03759400	1	LINK, BRAKE HANDLE
9	03759500	1	LINK, NEUTRAL RH
10	03759600	2	LINK, BRAKE
11	03764800	2	TRUNNION, 1/4-20
12	03764900	1	ROLLER
13	03769400	1	SPACER FLANGED .32 X .49 X .192 X 1.00
14	03823300	1	LINK, NEUTRAL LH
15	03826900	1	GRIP, PARKING BRAKE (YELLOW)
16	05514800	1	BSHG FLANGE
17	05700125	2	RING, RETAINING-E .25X.025
18	05901701	3	BLT, HEX 0.3125-18X1 GR5 ZC120
19	05901803	1	BLT, HEX 0.3125-18X1.25 GR5 ZCC
20	06401017	7	WSHR-FL-STL 0.344X0.688X0.065 ZC120
21	06401023	2	WSHR-FL-STL 0.375X0.875X0.083 ZC120
22	06401104	1	WSHR-FL-STL 0.34X1.125X0.135 ZCC
23	06401107	1	WSHR-FL-STL 0.385X0.745X0.03 ZCC
24	06401108	2	WSHR-FL-STL 0.406X1X0.188 ZCC
25	06401114	1	WSHR-FL-STL 0.52X0.827X0.062 ZCC
26	06500840	6	NUT, FLG-CTR LK .312-18 GR5 ZCC
27	06700222	3	PIN, HAIR #213 .08X1.19 ZCC
28	06700229	2	PIN, BOWTIE #72 ZCC
29	07400122	4	SCR-TAP .25-20X.50 HWH ZCC
30	08300028	2	SPRG, COMPRESSION
31	08326700	1	SPRG, EXTENSION

FRONT AND REAR WHEELS – 34"

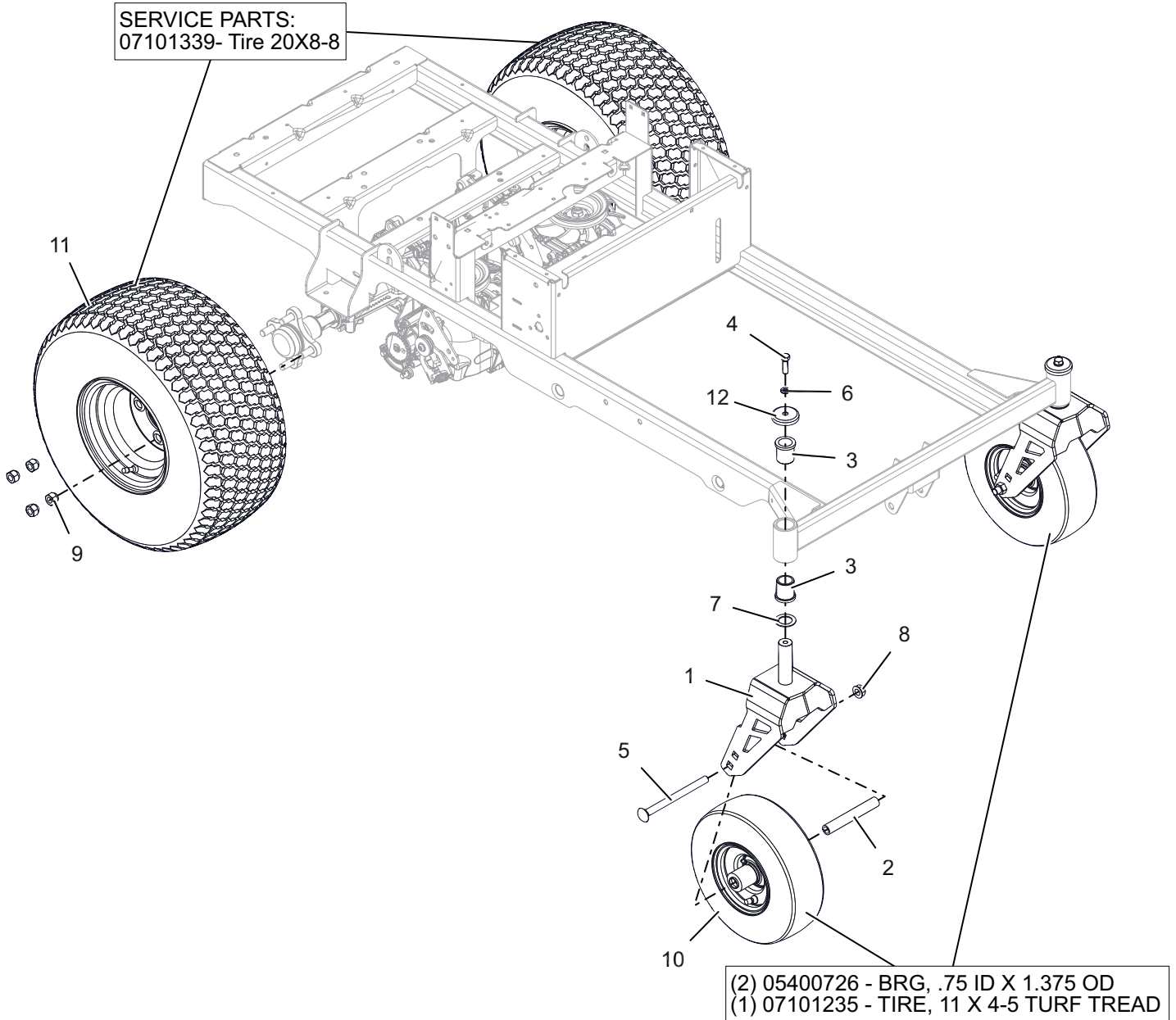
Model 915338



BOM ID	Number	Qty	Description
1	09695159	2	WLDMT, CASTER FORK (ORANGE)
2	00278500	2	SPCR, ROLLED WHEEL
3	05500934	4	BSHG, FLANGE 1.00X1.25X1.50X1.50
4	05902203	2	BLT, HEX 0.375-16X1.25 GR5 ZB500
5	06200319	2	BLT,RHSN .500-13 X 6.5 G5 ZCC
6	06300130	2	WSHR,LK-REG 0.377 X 0.094 ZB500
7	06416600	2	WSHR, HRD THRS 1.007X1.542X.062
8	06500902	2	NUT, FLG-CTR LK .500-13 GF ZCC
9	07101127	2	TIRE/WHEEL, 11 X 4-5
10	07101129	2	ASSM TIRE\WHEEL,
11	30146400	2	SHIELD, AXLE BEARING BLK

FRONT AND REAR WHEELS – 42"

Model 915339

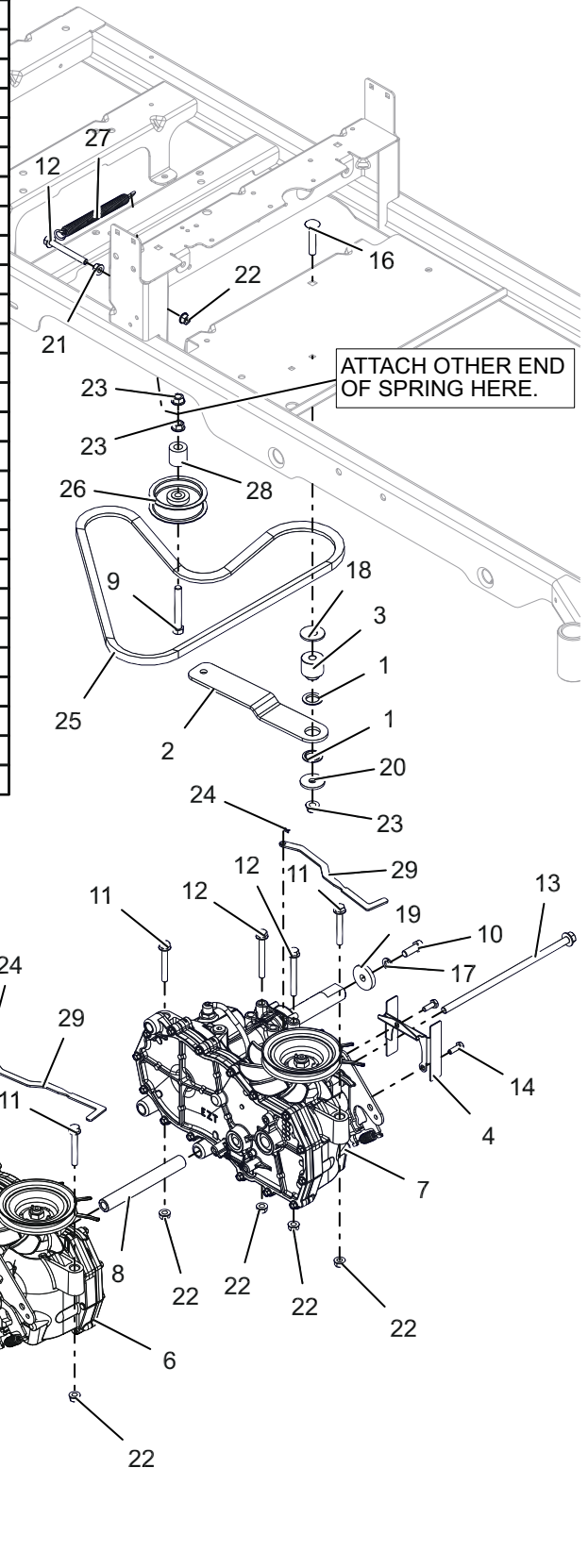


BOM ID	Number	Qty	Description
1	05295759	2	WLDMT, CASTER FORK-XD (ORANGE)
2	00278500	2	SPCR, ROLLED WHEEL
3	05500934	4	BSHG, FLANGE 1.00X1.25X1.50X1.50
4	05901724	2	BLT, HEX 0.375-16X1.25 GR5 ZC120
5	06200319	2	BLT,RHSN .500-13 X 6.5 G5 ZCC
6	06300116	2	WSHR,LK-REG 0.377 X 0.094 ZCC
7	06416600	2	WSHR, HRD THRS 1.007X1.542X.062
8	06500902	2	NUT, FLG-CTR LK .500-13 GF ZCC
9	06500926	8	NUT, WHEEL .500-20 ZCC
10	07101127	2	TIRE/WHEEL, 11 X 4-5
11	07101334	2	ASSM TIRE\WHEEL, 20 X 8 -8
12	30146400	2	SHIELD, AXLE BEARING BLK

TRANSAXLES AND IDLER PULLEY – 34"

Model 915338

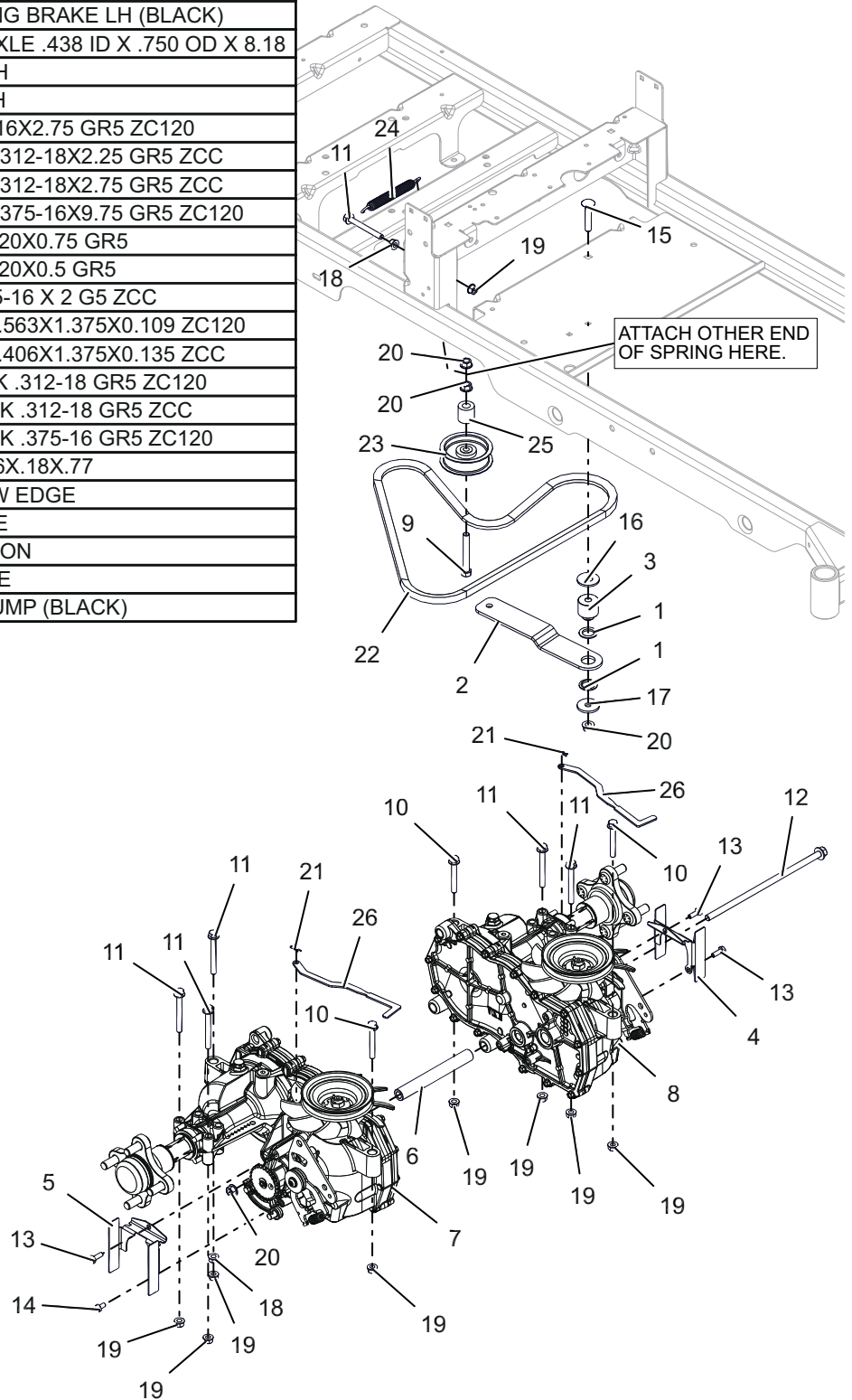
BOM ID	Number	Qty	Description
1	03960700	2	BSHG, IDLER ARM
2	03961000	1	ARM, IDLER GROUND DRIVE
3	03961100	1	BUSHING FLANGED DRIVE IDLER
4	05091251	1	GUARD, PARKING ,BREAK RH (BLACK)
5	05092551	1	GUARD, PARKING BRAKE LH (BLACK)
6	05172700	1	TRANSAXLE, LH EZT D-SHAFT SHORT
7	05172800	1	TRANSAXLE, RH EZT D-SHAFT SHORT
8	05281800	1	SPCR, TRANSAXLE .438 ID X .750 OD X 8.18
9	05901611	1	BLT, HEX 0.375-16X2.75 GR5 ZC120
10	05901721	2	BLT, HEX 0.375-16X1 GR5 EP30 ZC120
11	05901910	3	BLT, HEX-FLG 0.312-18X2.25 GR5 ZCC
12	05901911	6	BLT, HEX-FLG 0.312-18X2.75 GR5 ZCC
13	05902032	1	BLT, HEX-FLG 0.375-16X9.75 GR5 ZC120
14	05946800	3	BOLT, HEX 0.25-20X0.75 GR5
15	05947900	1	BOLT, HEX 0.25-20X0.5 GR5
16	06200323	1	BTL,RHSSN .375-16 X 2 G5 ZCC
17	06300116	2	WSHR,LK-REG 0.377 X 0.094 ZCC
18	06401012	1	WSHR-FL-STL 0.563X1.375X0.109 ZC120
19	06401110	2	WSHR-FL-STL 0.406X1.5X0.245 ZCC
20	06401121	1	WSHR-FL-STL 0.406X1.375X0.135 ZCC
21	06500815	3	NUT, FLG-SPNLK .312-18 GR5 ZC120
22	06500840	8	NUT, FLG-CTR LK .312-18 GR5 ZCC
23	06500901	4	NUT, FLG-CTR LK .375-16 GR5 ZC120
24	06700221	2	PIN-HAIR INT .06X.18X.77
25	07200010	1	V-BELT, HA-RAW EDGE
26	07300221	1	PULLEY, ENGINE
27	08300512	1	SPRG, EXTENSION
28	08553700	1	SPACER SLEEVE
29	09160551	2	BRKT, VALVE DUMP (BLACK)



TRANSAXLES AND IDLER PULLEY – 42"

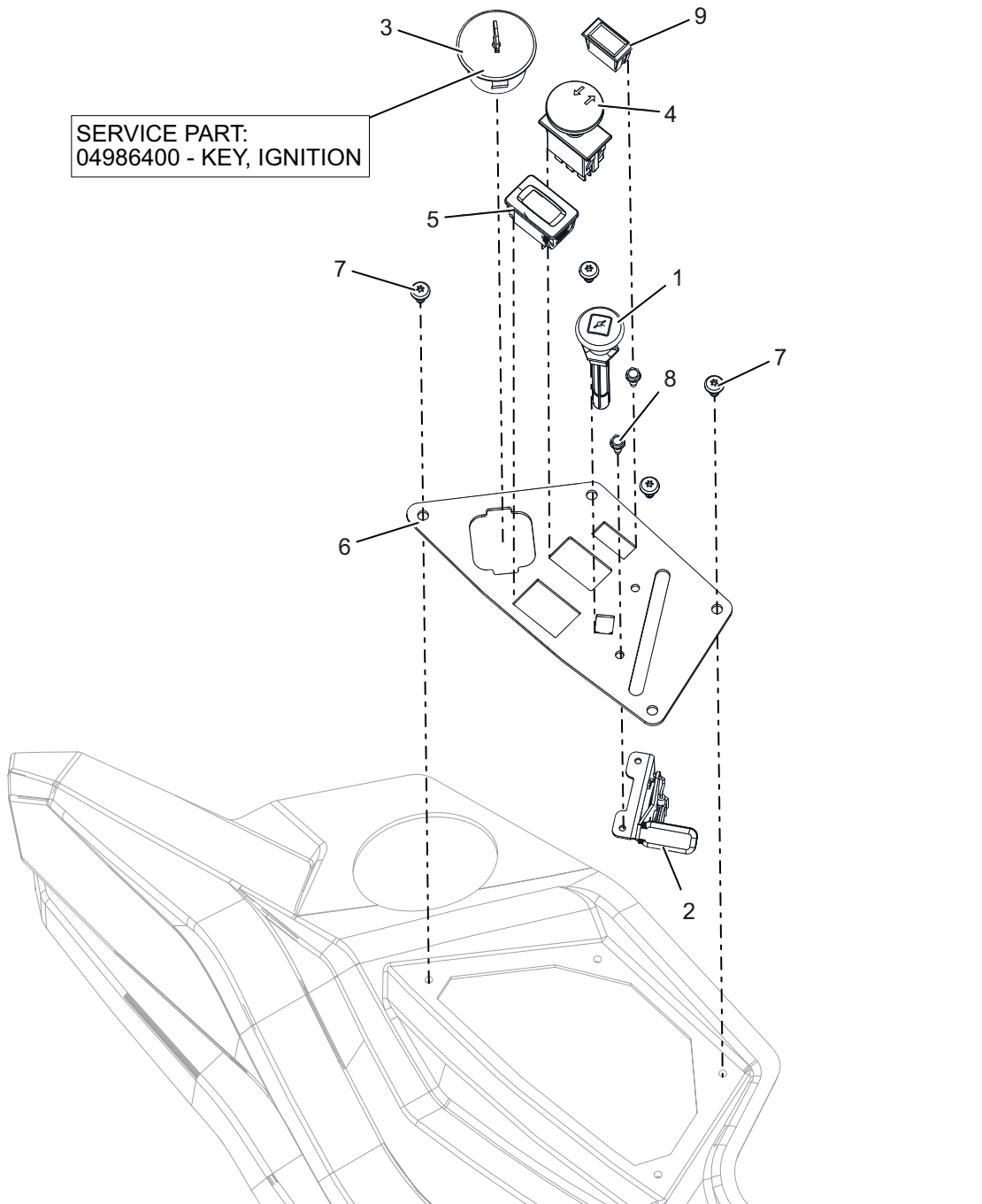
Model 915339

BOM ID	Number	Qty	Description
1	03960700	2	BSHG, IDLER ARM
2	03961000	1	ARM, IDLER GROUND DRIVE
3	03961100	1	BUSHING FLANGED DRIVE IDLER
4	05091251	1	GUARD, PARKING ,BREAK RH (BLACK)
5	05092551	1	GUARD, PARKING BRAKE LH (BLACK)
6	05281800	1	SPCR, TRANSAXLE .438 ID X .750 OD X 8.18
7	05291800	1	TRANSAXLE, LH
8	05291900	1	TRANSAXLE, RH
9	05901611	1	BLT, HEX 0.375-16X2.75 GR5 ZC120
10	05901910	3	BLT, HEX-FLG 0.312-18X2.25 GR5 ZCC
11	05901911	6	BLT, HEX-FLG 0.312-18X2.75 GR5 ZCC
12	05902032	1	BLT, HEX-FLG 0.375-16X9.75 GR5 ZC120
13	05946800	3	BOLT, HEX 0.25-20X0.75 GR5
14	05947900	1	BOLT, HEX 0.25-20X0.5 GR5
15	06200323	1	BTL,RHSSN .375-16 X 2 G5 ZCC
16	06401012	1	WSHR-FL-STL 0.563X1.375X0.109 ZC120
17	06401121	1	WSHR-FL-STL 0.406X1.375X0.135 ZCC
18	06500815	2	NUT, FLG-SPNLK .312-18 GR5 ZC120
19	06500840	9	NUT, FLG-CTR LK .312-18 GR5 ZCC
20	06500901	4	NUT, FLG-CTR LK .375-16 GR5 ZC120
21	06700221	2	PIN-HAIR INT .06X.18X.77
22	07200010	1	V-BELT, HA-RAW EDGE
23	07300221	1	PULLEY, ENGINE
24	08300512	1	SPRG, EXTENSION
25	08553700	1	SPACER SLEEVE
26	09160551	2	BRKT, VALVE DUMP (BLACK)



CONTROL PANEL

Model All

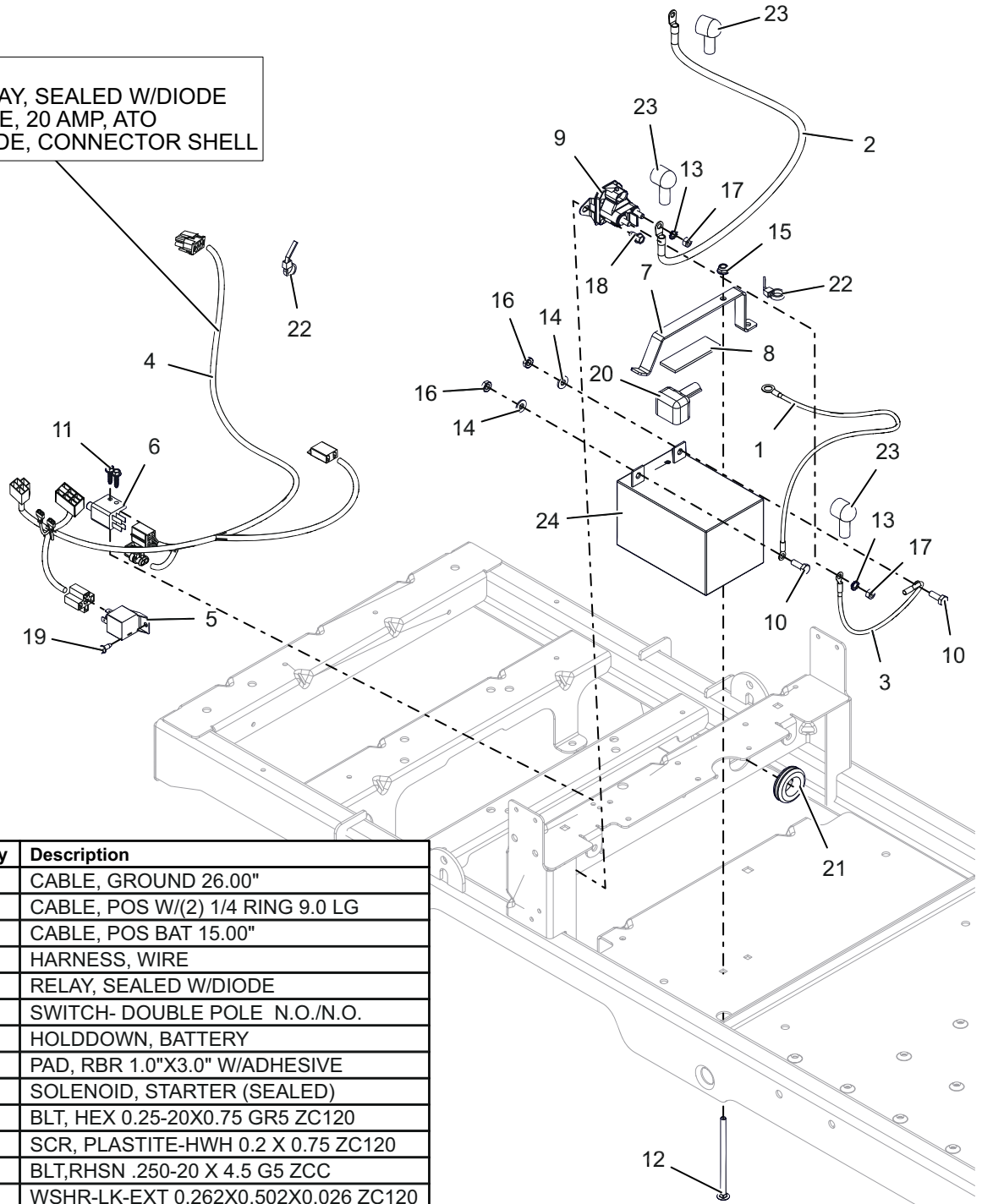


BOM ID	Number	Qty	Description
1	06900408	1	CABLE, CHOKE (SNAP IN)
2	06900416	1	CABLE, THROTTLE
3	03290500	1	KEY, SWITCH IGNITION 3 POS W/KEY
4	04399600	1	SWITCH, CLUTCH YELLOW(W/GRAPHIC)
5	05254800	1	HOUR METER
6	05288059	1	PANEL, CONTROL (ORANGE)
7	07400123	4	SCR-TAP .25-15X.50 PLASTITE BLZC
8	07400130	2	SCR-TAP #10-24X.50 HWH ZCC
9	09003300	1	SWITCH, BLANK

ELECTRICAL

Model All

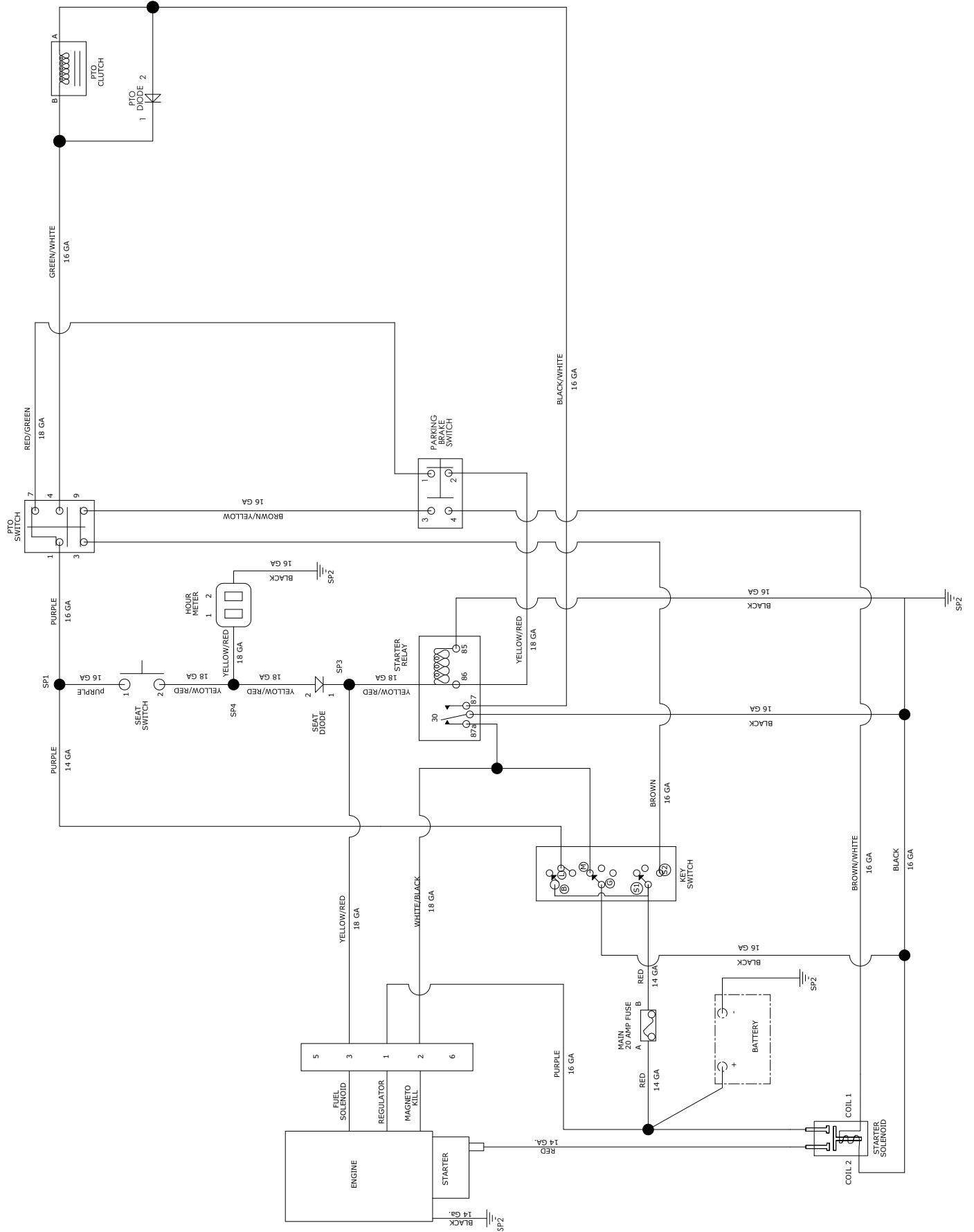
SERVICE PARTS:
 (1) 00432100 - RELAY, SEALED W/DIODE
 (1) 00191262 - FUSE, 20 AMP, ATO
 (2) 09293500 - DIODE, CONNECTOR SHELL



BOM ID	Number	Qty	Description
1	04249900	1	CABLE, GROUND 26.00"
2	04783400	1	CABLE, POS W/(2) 1/4 RING 9.0 LG
3	04787400	1	CABLE, POS BAT 15.00"
4	05296700	1	HARNESS, WIRE
5	00432100	1	RELAY, SEALED W/DIODE
6	03606600	1	SWITCH- DOUBLE POLE N.O./N.O.
7	04385351	1	HOLDDOWN, BATTERY
8	04850000	1	PAD, RBR 1.0"X3.0" W/ADHESIVE
9	05167200	1	SOLENOID, STARTER (SEALED)
10	05901716	2	BLT, HEX 0.25-20X0.75 GR5 ZC120
11	06100232	2	SCR, PLASTITE-HWH 0.2 X 0.75 ZC120
12	06200308	1	BLT,RHSN .250-20 X 4.5 G5 ZCC
13	06300118	2	WSHR-LK-EXT 0.262X0.502X0.026 ZC120
14	06401001	2	WSHR-FL-STL 0.281X0.625X0.065 ZC120
15	06500813	1	NUT, LK-NYL-FLG .25-20 GR5 ZC120
16	06500921	2	NUT-KEPS .250-20
17	06500925	2	NUT, HEX M6-1.0 GR8.8 ZC120
18	07400122	1	SCR-TAP .25-20X.50 HWH ZCC
19	07415800	1	SCR-TAP 10-24X.50 HWH TR YWZC
20	07505700	1	INSULATOR
21	07506500	1	GROMMET, 1.0 ID X 1.38 OD
22	07517300	2	TIE, CABLE - 5.50" LONG
23	07533200	3	BOOT, EYELET TERMINAL
24	09425500	1	BATTERY, 12V 12A -190CCA

WIRING DIAGRAM

Model All



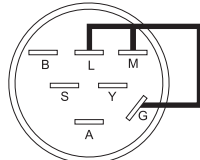
CONTINUITY DIAGRAM

Model All

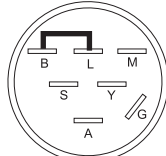
The diagrams below show the various states of connection for electrical components.
The solid lines on switches show continuity.
NOTE: All switches are viewed from the rear.

Key Switch

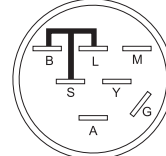
(03290500)



OFF



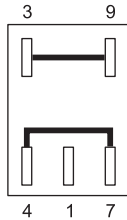
RUN



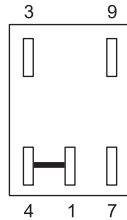
START

PTO Switch

(04399600)



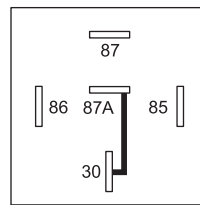
DISENGAGED
(down position)



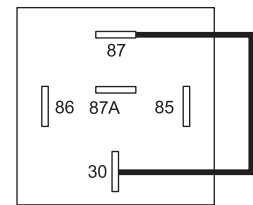
ENGAGED
(up position)

Relay

(00432100)



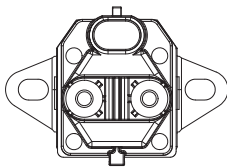
NOT ENERGIZED



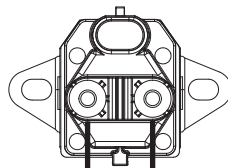
ENERGIZED

Solenoid

(05167200)



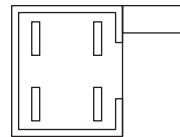
NOT ENERGIZED



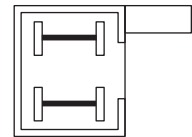
ENERGIZED

Park Brake Switch

(03606600)



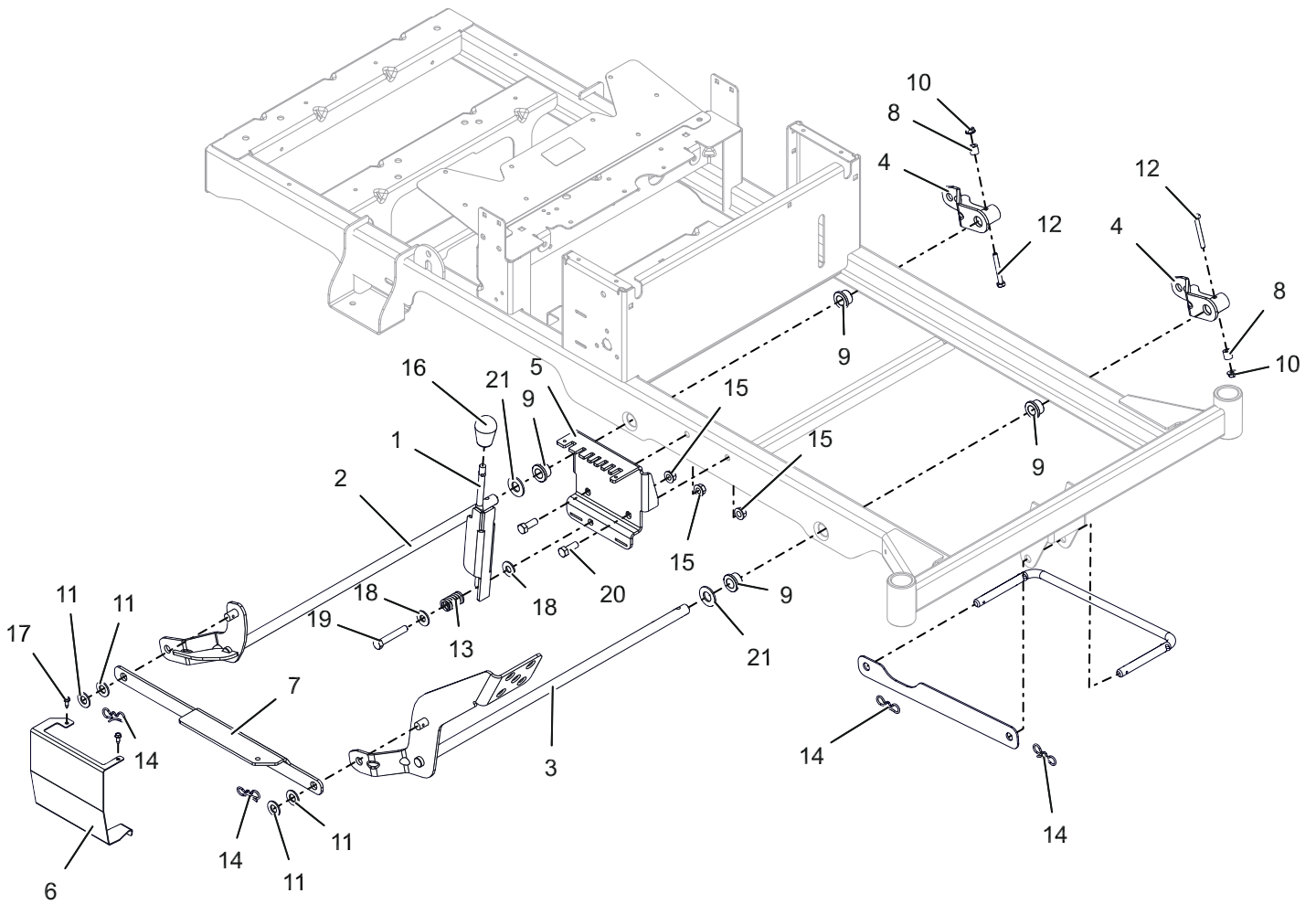
BUTTON OUT



BUTTON IN

DECK LIFT – 34"

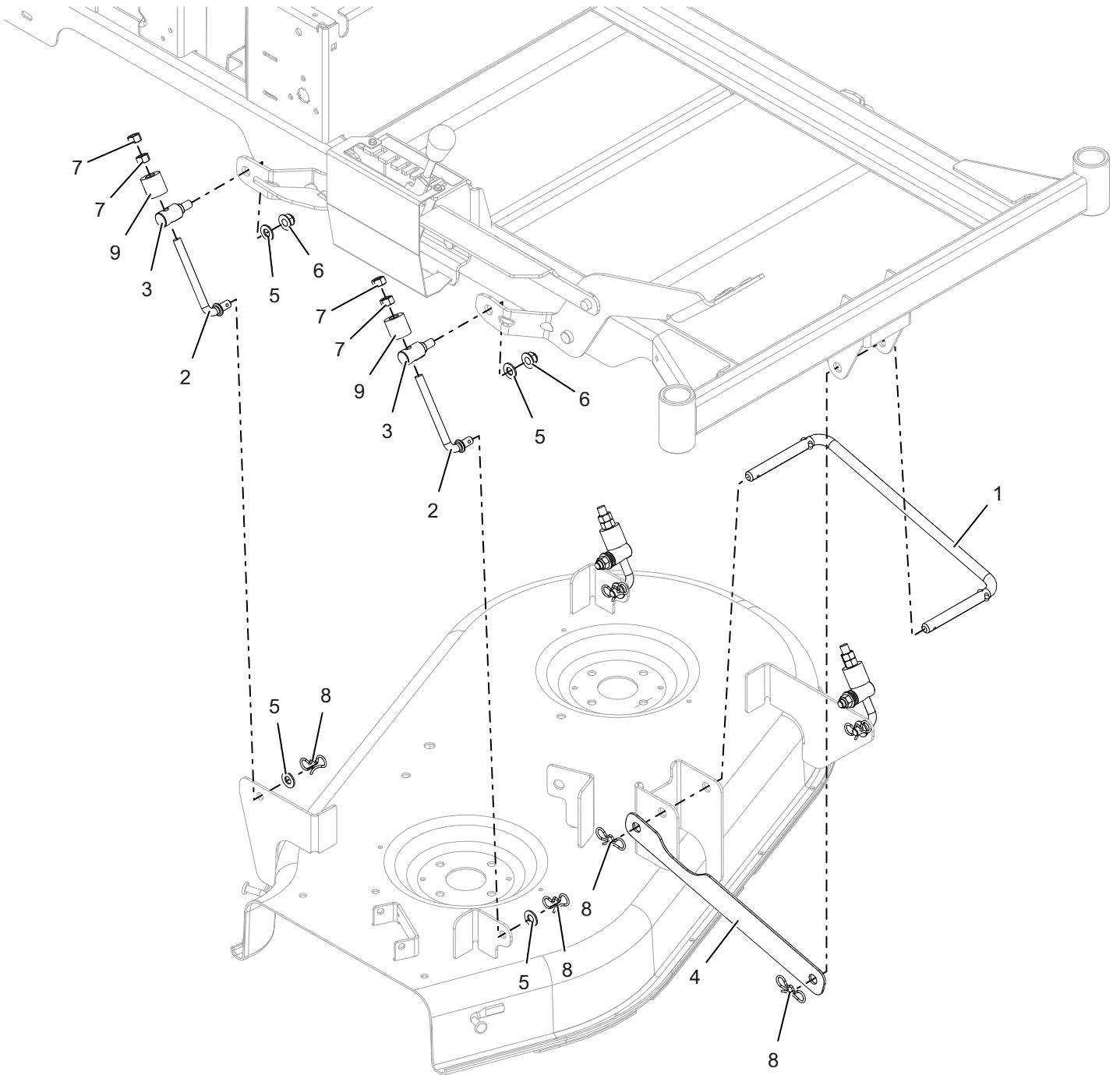
Model 915338



BOM ID	Number	Qty	Description
1	09178959	1	WLDMT, HEIGHT OF CUT (ORANGE)
2	09694659	1	WLDMT, REAR DECK LIFT (ORANGE)
3	09694559	1	WLDMT, PEDAL DECK LIFT EDGE
4	04434659	2	WLDMT, DECK LIFT ARM (ORANGE)
5	04377959	1	PLATE, HEIGHT (ORANGE)
6	04723759	1	GUARD, DECK HOC (ORANGE)
7	05292659	1	LINK, LIFT /HOC (ORANGE)
8	05501112	2	SPACER SLEEVED .265X.500X.500
9	05519100	4	BUSHING FLANGED
10	06500821	2	NUT, FLG-CTR LK .250-20 GR5 ZC120
11	06443300	4	WSHR-FL-NYL .518X1.00X.08
12	05901740	2	BLT, HEX 0.25-20X2 GR5 ZCC
13	08300631	1	SPRG, COMPRESSION
14	06700220	4	PIN, BOWTIE LOCKING .091X1.875 ZCC
15	06500901	3	NUT, FLG-CTR LK .375-16 GR5 ZC120
16	07500224	1	KNOB, SOFT TEARDROP, PUSH-ON BLK
17	07400130	2	SCR-TAP #10-24X.50 HWH ZCC
18	06401008	2	WSHR-FL-STL 0.438X1X0.083 ZC120
19	05901640	1	BLT, HEX 0.375-16X2.25 GR5 ZC120
20	05901711	2	BLT, HEX 0.375-16X1 GR5 ZC120
21	06401118	2	WSHR-FL-STL 0.656X1.312X0.095 ZCC

DECK LIFT – 34" (CONTINUED)

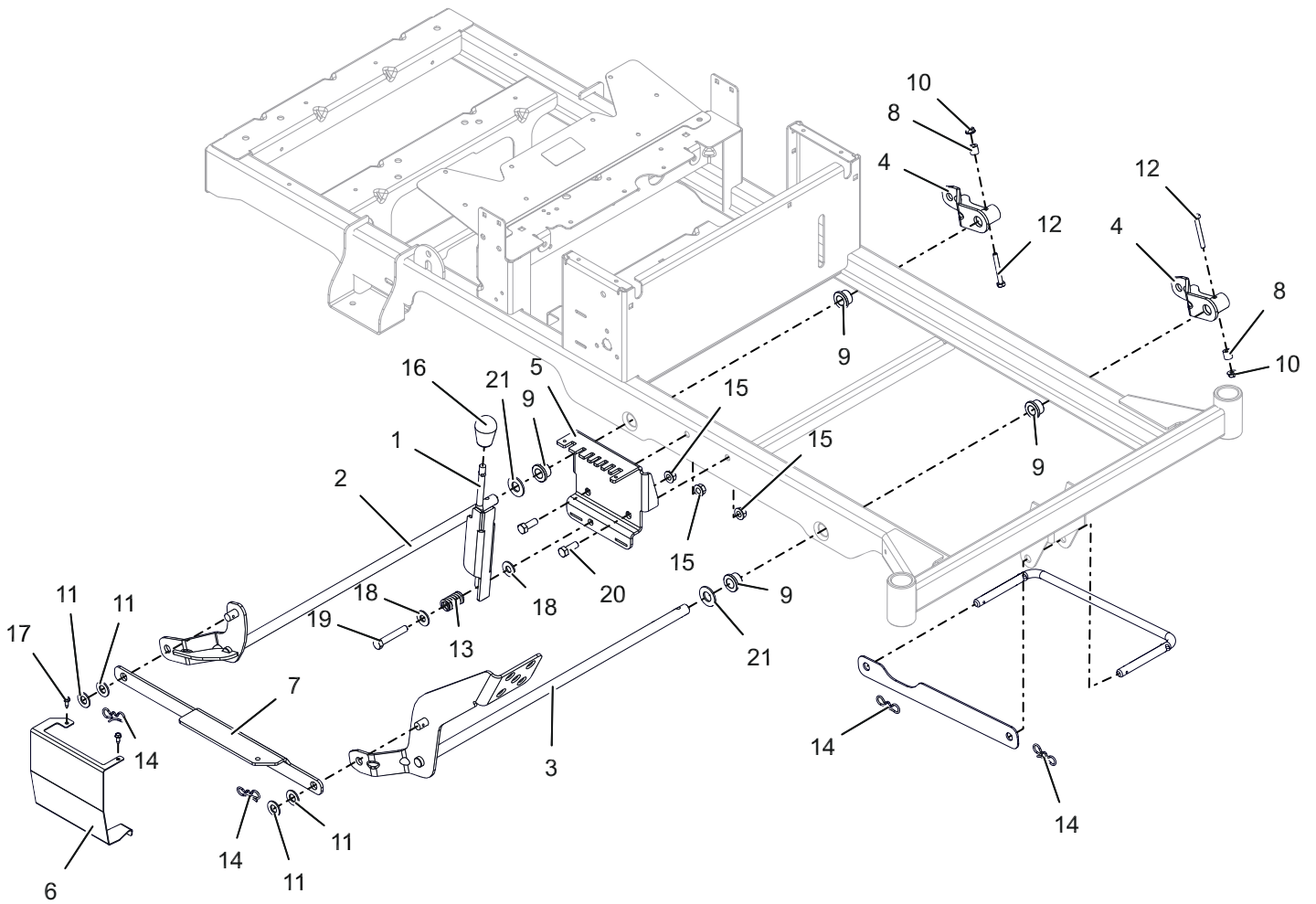
Model 915338



BOM ID	Number	Qty	Description
1	04377600	1	WIREFORM, DRAG LINK
2	04377700	4	WIREFORM, DECK ADJUSTMENT
3	04377800	4	TRUNNION, DECK ADJUSTER
4	04424900	1	STRAP, DRAG LINK
5	06401013	8	WSHR-FL-STL 0.406X0.812X0.065 ZC120
6	06500726	4	NUT, LK-NYL-FLG .38-16 GR5 ZC120
7	06500917	8	NUT, STD .375-16 GR2 ZCC
8	06700220	6	PIN, BOWTIE LOCKING .091X1.875 ZCC
9	08553700	4	SPACER SLEEVE

DECK LIFT – 42"

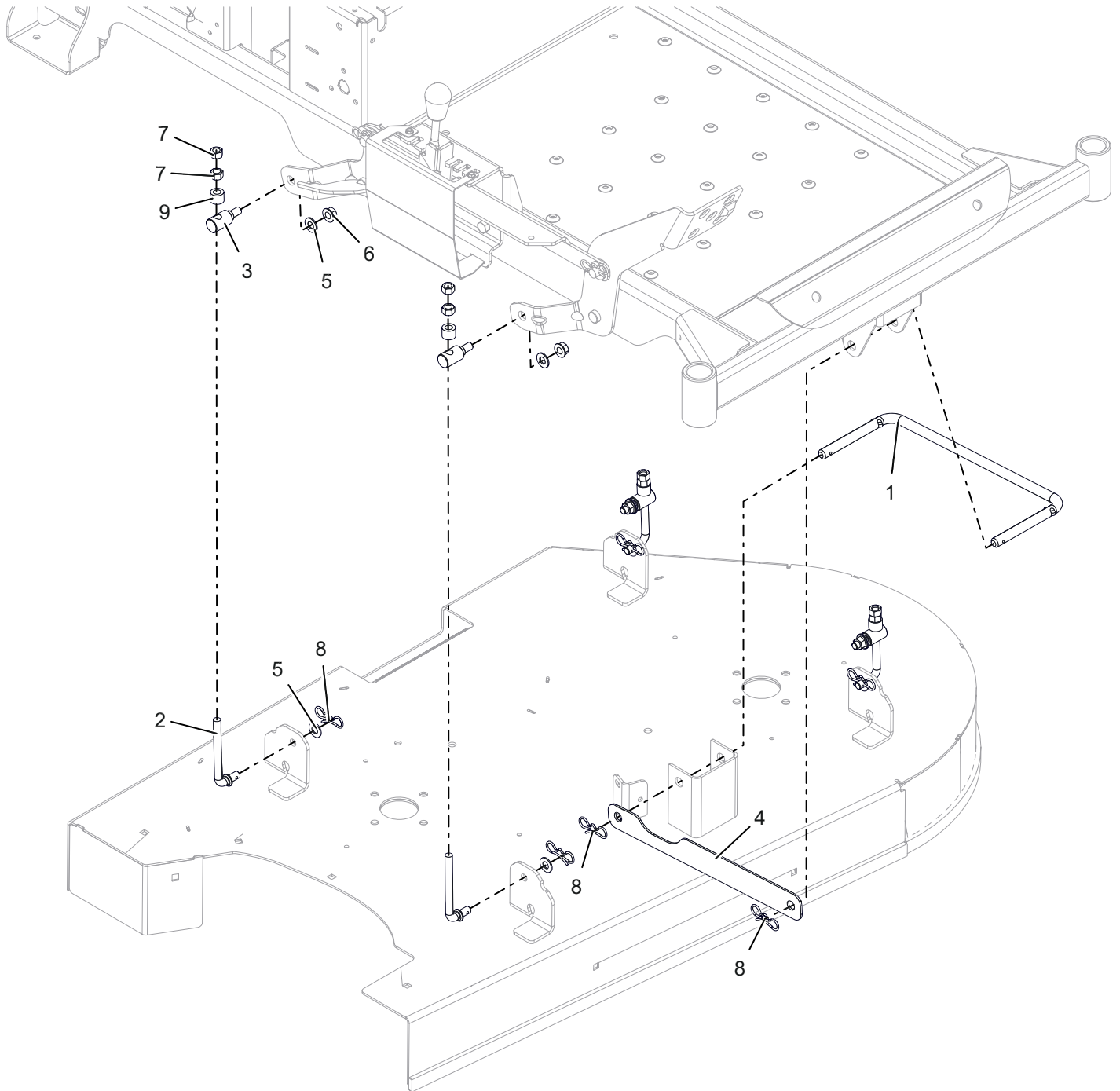
Model 915339



BOM ID	Number	Qty	Description
1	09178959	1	WLDMT, HEIGHT OF CUT (ORANGE)
2	09694659	1	WLDMT, REAR DECK LIFT (ORANGE)
3	09694559	1	WLDMT, PEDAL DECK LIFT EDGE
4	04434659	2	WLDMT, DECK LIFT ARM (ORANGE)
5	04377959	1	PLATE, HEIGHT (ORANGE)
6	04723759	1	GUARD, DECK HOC (ORANGE)
7	05292659	1	LINK, LIFT /HOC (ORANGE)
8	05501112	2	SPACER SLEEVED .265X.500X.500
9	05519100	4	BUSHING FLANGED
10	06500821	2	NUT, FLG-CTR LK .250-20 GR5 ZC120
11	06443300	4	WSHR-FL-NYL .518X1.00X.08
12	05901740	2	BLT, HEX 0.25-20X2 GR5 ZCC
13	08300631	1	SPRG, COMPRESSION
14	06700220	4	PIN, BOWTIE LOCKING .091X1.875 ZCC
15	06500901	3	NUT, FLG-CTR LK .375-16 GR5 ZC120
16	07500224	1	KNOB, SOFT TEARDROP, PUSH-ON BLK
17	07400130	2	SCR-TAP #10-24X.50 HWH ZCC
18	06401008	2	WSHR-FL-STL 0.438X1X0.083 ZC120
19	05901640	1	BLT, HEX 0.375-16X2.25 GR5 ZC120
20	05901711	2	BLT, HEX 0.375-16X1 GR5 ZC120
21	06401118	2	WSHR-FL-STL 0.656X1.312X0.095 ZCC

DECK LIFT – 42" (CONTINUED)

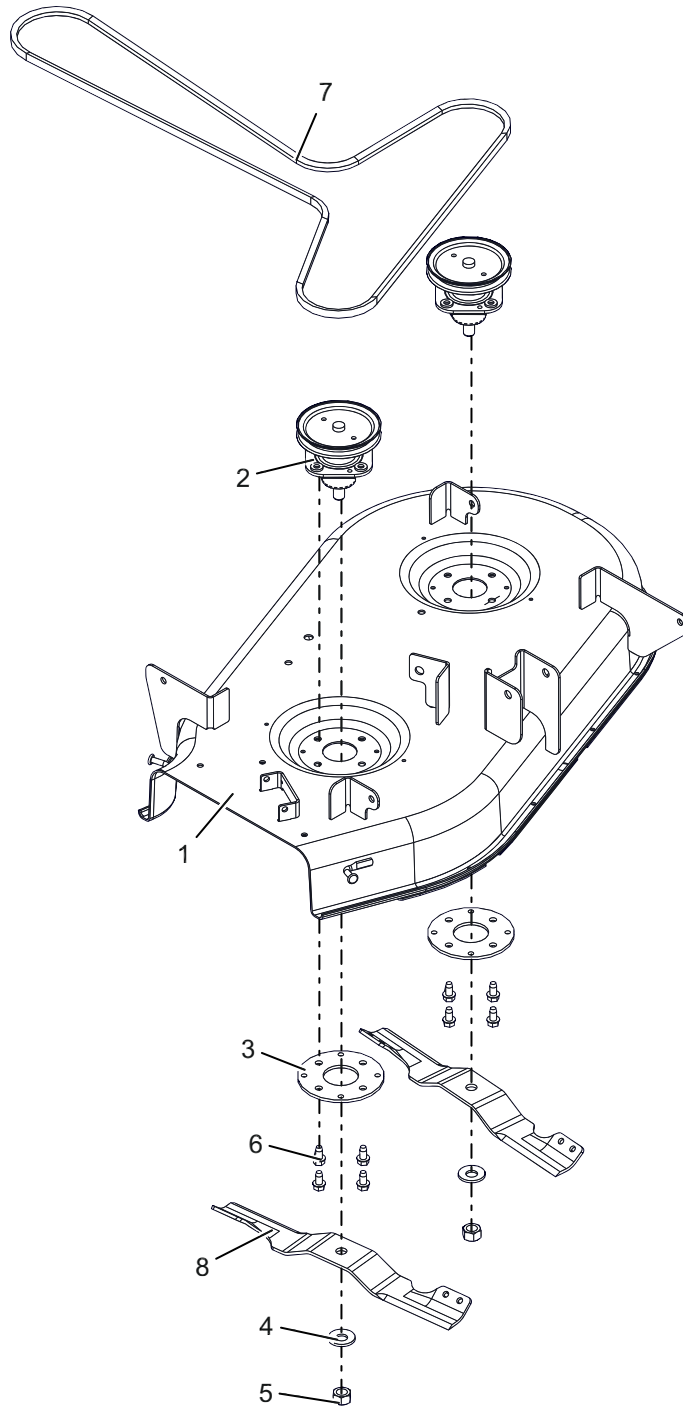
Model 915339



BOM ID	Number	Qty	Description
1	04377600	1	WIREFORM, DRAG LINK
2	04377700	4	WIREFORM, DECK ADJUSTMENT
3	04377800	4	TRUNNION, DECK ADJUSTER
4	04424900	1	STRAP, DRAG LINK
5	06401013	8	WSHR-FL-STL 0.406X0.812X0.065 ZC120
6	06500901	4	NUT, FLG-CTR LK .375-16 GR5 ZC120
7	06500917	8	NUT, STD .375-16 GR2 ZCC
8	06700220	6	PIN, BOWTIE LOCKING .091X1.875 ZCC
9	08553700	4	SPACER SLEEVE

DECK, BELT, BLADES, AND SPINDLES – 34"

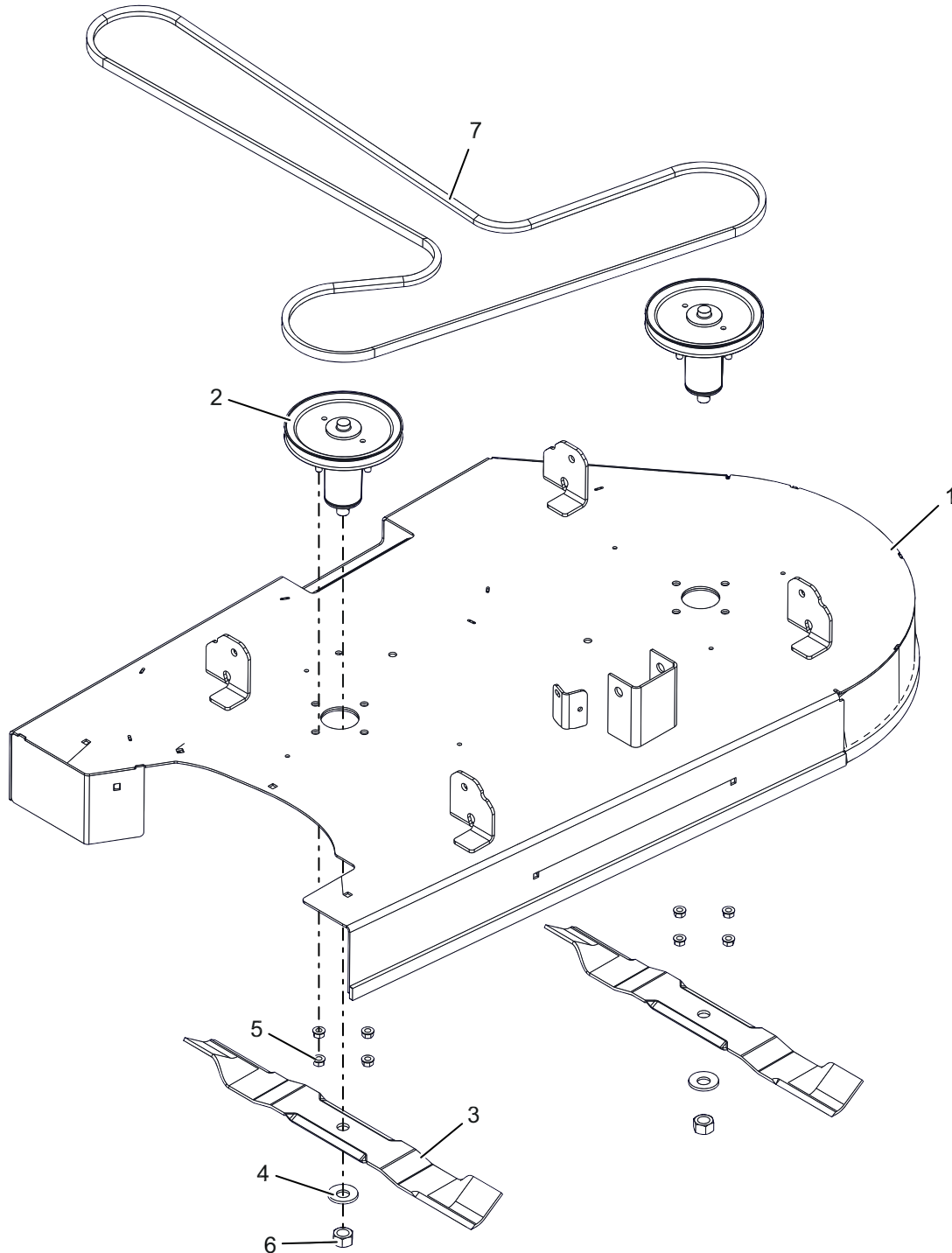
Model 915338



BOM ID	Number	Qty	Description
1	51525400	1	WLDMT, DECK W/DECALS
2	51519500	2	ASM, SPINDLE
3	03839059	2	PLATE, REINF SPINDLE
4	06445700	2	WSHR, BLVL-.63X1.625X.14
5	06500920	2	NUT, HEX .625-18 ZCC
6	07400129	8	SCR-TAP .38-16X.75 HWH ZCC
7	07200116	1	V-BELT, HA WRAPPED
8	03971900	2	BLADE, MOWER

DECK, BELT, BLADES, AND SPINDLES – 42"

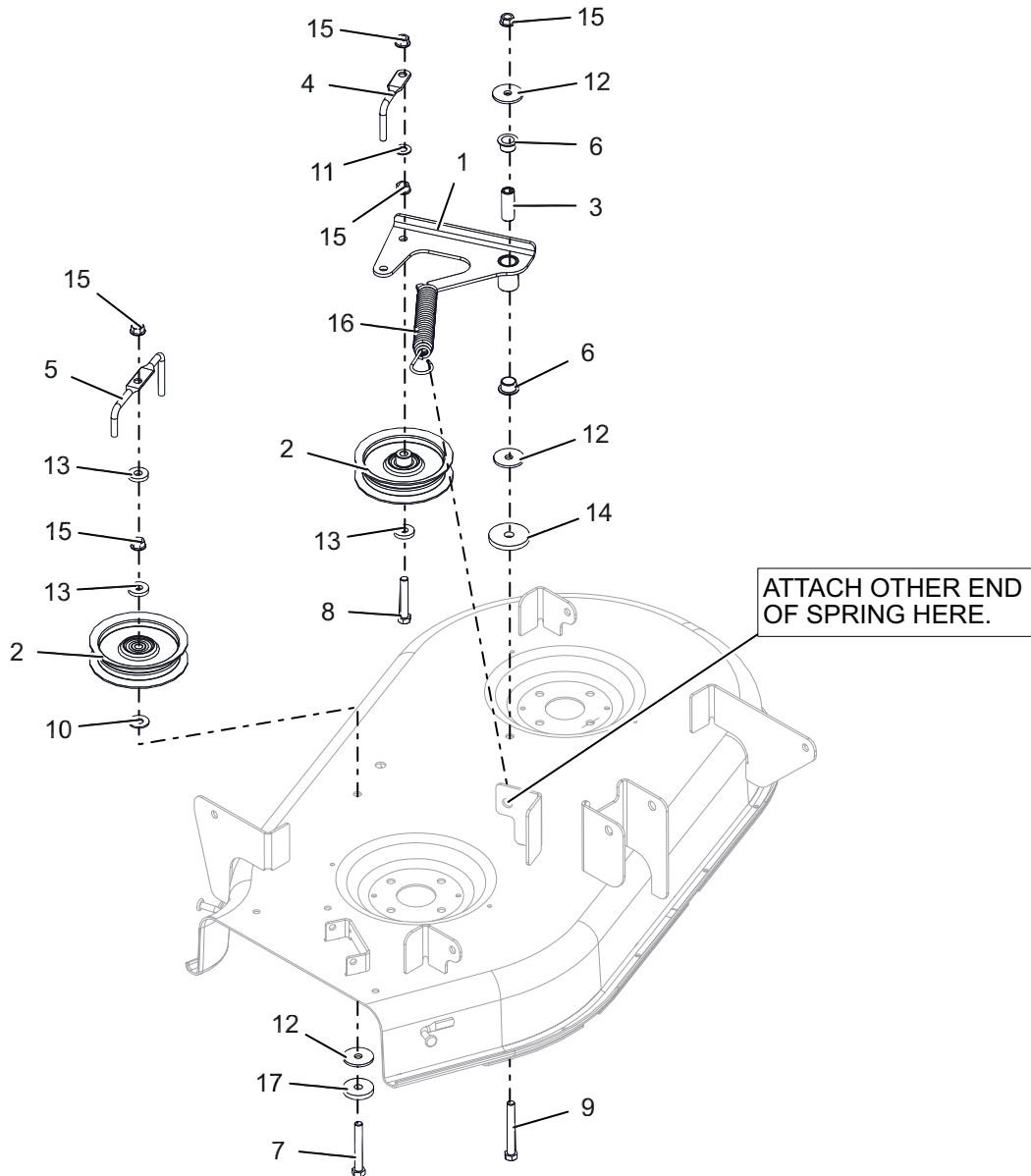
Model 915339



BOM ID	Number	Qty	Description
1	51538900	1	WLDMT, DECK - 42 EDGE CE (ORANGE)
2	51537300	2	ASM, ALUM SPINDLE 4.75" DIA.
3	04965000	2	BLADE, 21" - 35 DEG
4	06445700	2	WSHR, BLVL-.63X1.625X.14
5	06500840	8	NUT, FLG-CTR LK .312-18 GR5 ZCC
6	06500920	2	NUT, HEX .625-18 ZCC
7	07226700	1	V-BELT, HA-WRAPPED

IDLERS AND SHEAVES – 34"

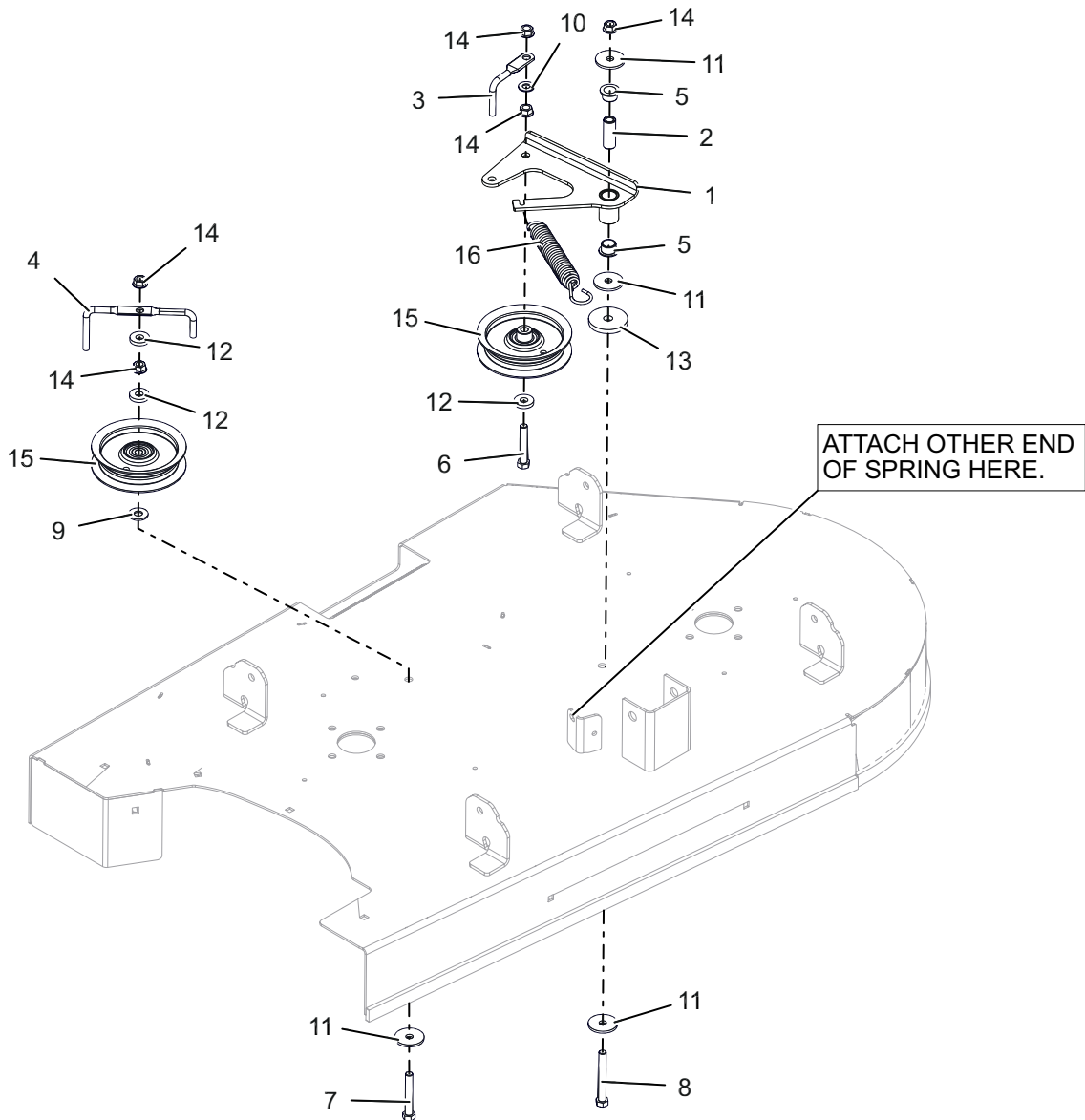
Model 915338



BOM ID	Number	Qty	Description
1	04430859	1	WLDMT, IDLER ARM (ORANGE)
2	07350100	2	IDLER, FLAT - 4.06" X .75"
3	03763400	1	SPACER SLEEVED .375IDX.625ODX1.66 PM
4	03828800	1	WIREFORM, BELT FINGER
5	03974100	1	FINGER, BELT
6	05500907	2	BSHG, FLANGE
7	05901611	1	BLT, HEX 0.375-16X2.75 GR5 ZC120
8	05901640	1	BLT, HEX 0.375-16X2.25 GR5 ZC120
9	05901814	1	BLT, HEX 0.375-16X3 GR5 ZCC
10	06401008	1	WSHR-FL-STL 0.438X1X0.083 ZC120
11	06401013	1	WSHR-FL-STL 0.406X0.812X0.065 ZC120
12	06401106	3	WSHR-FL-STL 0.38X1.5X0.125 ZCC
13	06401108	3	WSHR-FL-STL 0.406X1X0.188 ZCC
14	06401111	1	WSHR-FL-STL 0.469X2X0.25 ZCC
15	06500901	5	NUT, FLG-CTR LK .375-16 GR5 ZC120
16	08320300	1	SPRG, EXTENSION
17	06401110	1	WSHR-FL-STL 0.406X1.5X0.245 ZCC

IDLERS AND SHEAVES – 42"

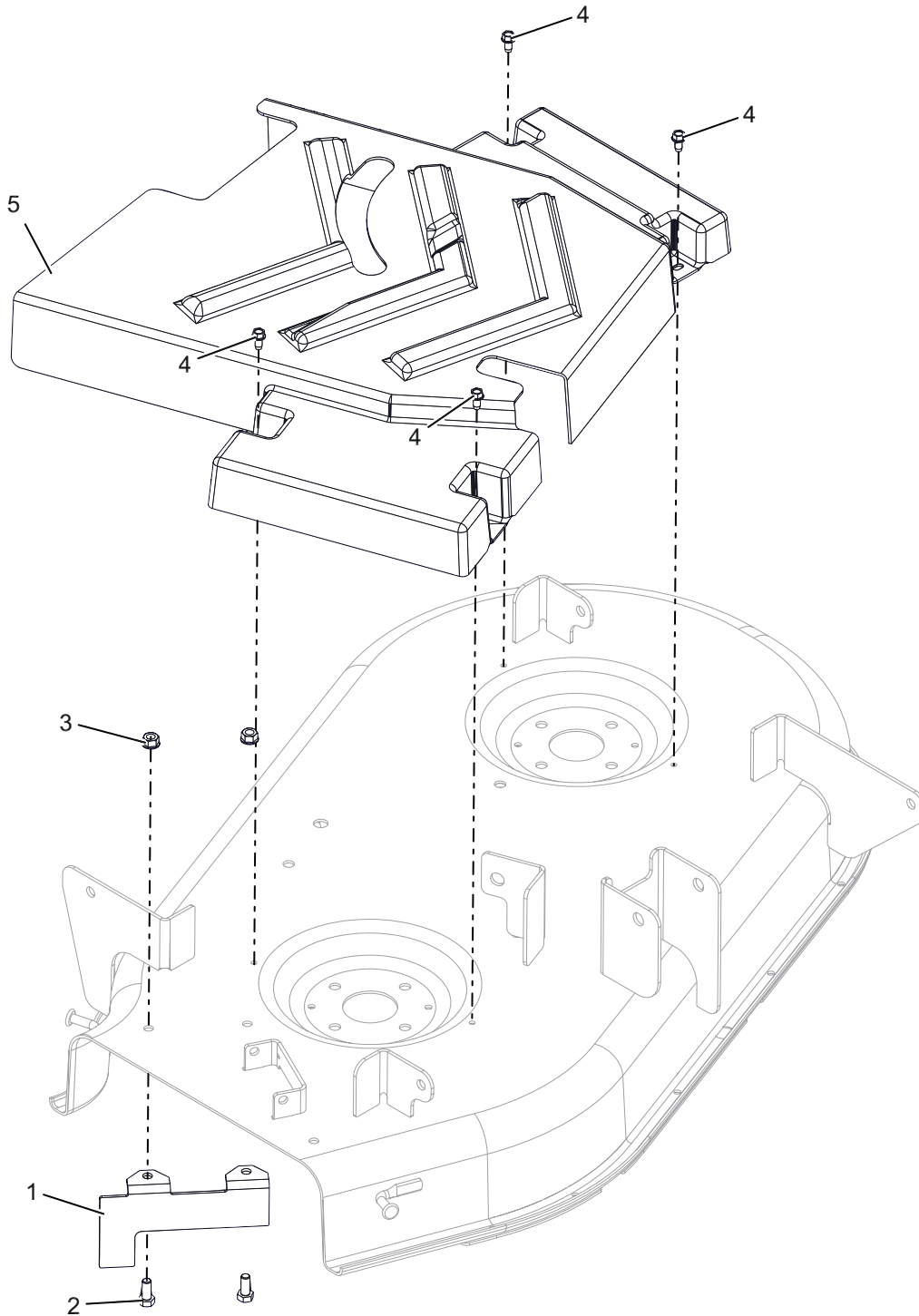
Model 915339



BOM ID	Number	Qty	Description
1	04430859	1	WLDMT, IDLER ARM (ORANGE)
2	03763400	1	SPACER SLEEVED .375IDX.625ODX1.66 PM
3	03828800	1	WIREFORM, BELT FINGER
4	03974100	1	FINGER, BELT
5	05500907	2	BSHG, FLANGE
6	05901640	1	BLT, HEX 0.375-16X2.25 GR5 ZC120
7	05901812	1	BLT, HEX 0.375-16X2.5 GR5 ZCC
8	05901814	1	BLT, HEX 0.375-16X3 GR5 ZCC
9	06401008	1	WSHR-FL-STL 0.438X1X0.083 ZC120
10	06401013	1	WSHR-FL-STL 0.406X0.812X0.065 ZC120
11	06401106	4	WSHR-FL-STL 0.38X1.5X0.125 ZCC
12	06401108	3	WSHR-FL-STL 0.406X1X0.188 ZCC
13	06401111	1	WSHR-FL-STL 0.469X2X0.25 ZCC
14	06500901	5	NUT, FLG-CTR LK .375-16 GR5 ZC120
15	07350100	2	IDLER, FLAT - 4.06" X .75"
16	08320300	1	SPRG, EXTENSION

BELT GUARD AND BAFFLE – 34"

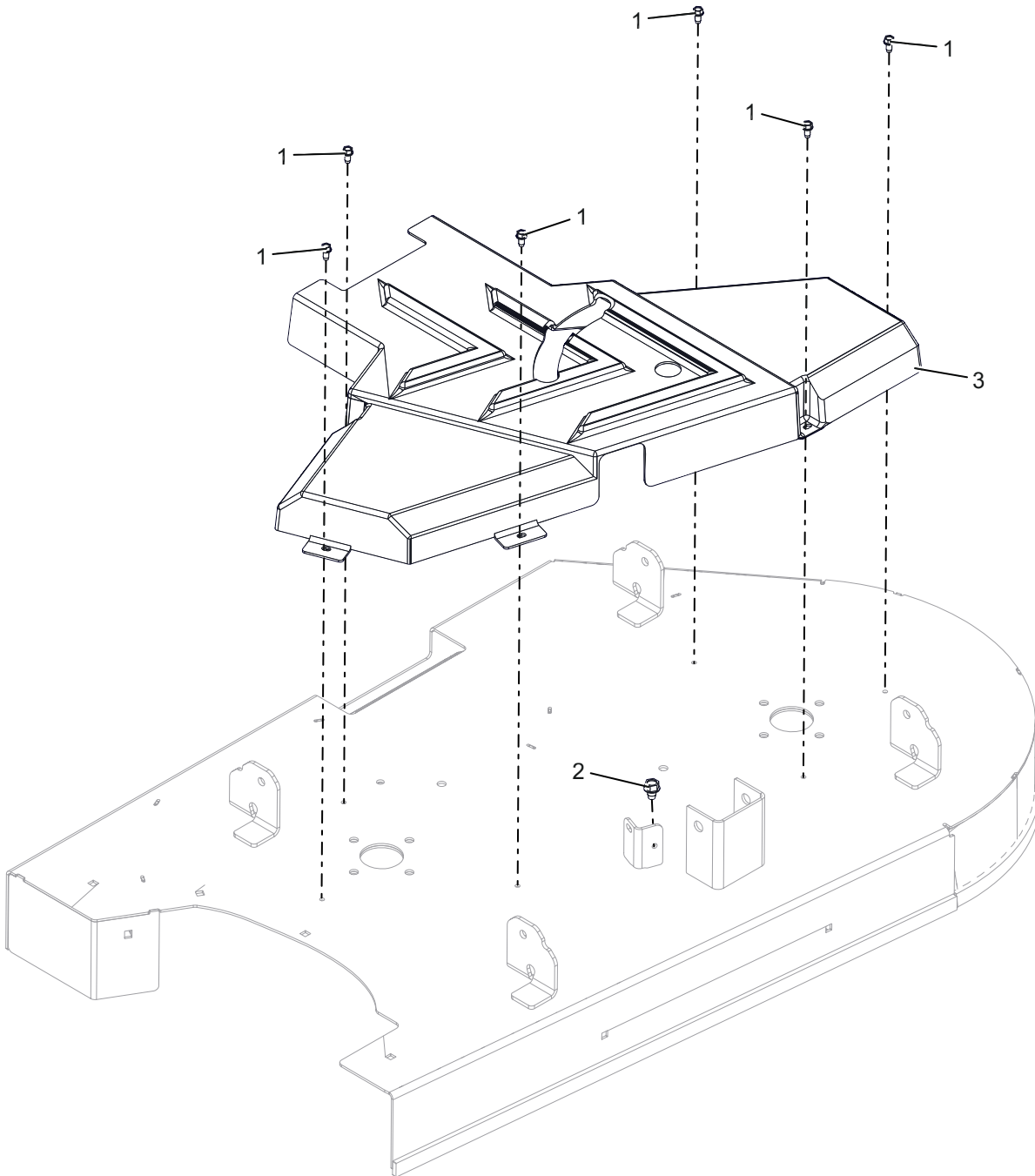
Model 915338



BOM ID	Number	Qty	Description
1	03779259	1	BRKT, BAFFLE
2	05901704	2	BLT, HEX 0.3125-18X0.75 GR5 ZC120
3	06500840	2	NUT, FLG-CTR LK .312-18 GR5 ZCC
4	07400122	4	SCR-TAP .25-20X.50 HWH ZCC
5	30216200	1	GUARD, CENTER EDGE 34 DECK

BELT GUARD – 42"

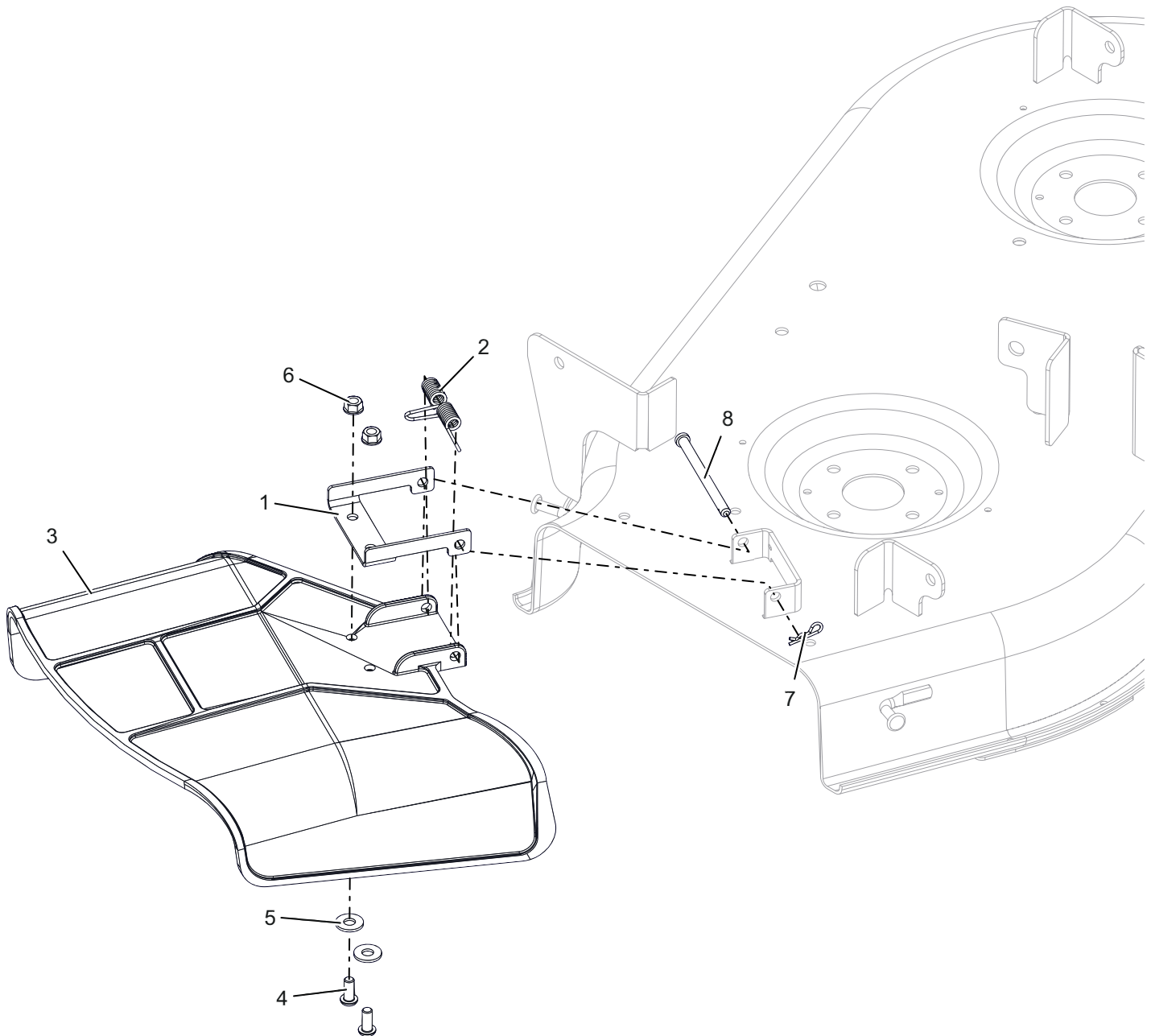
Model 915339



BOM ID	Number	Qty	Description
1	07400122	6	SCR-TAP .25-20X.50 HWH ZCC
2	07400126	1	SCR-TAP .38-16X.500 HWH ZCC
3	30216300	1	GUARD, CENTER EDGE 42 DECK

DISCHARGE CHUTE – 34"

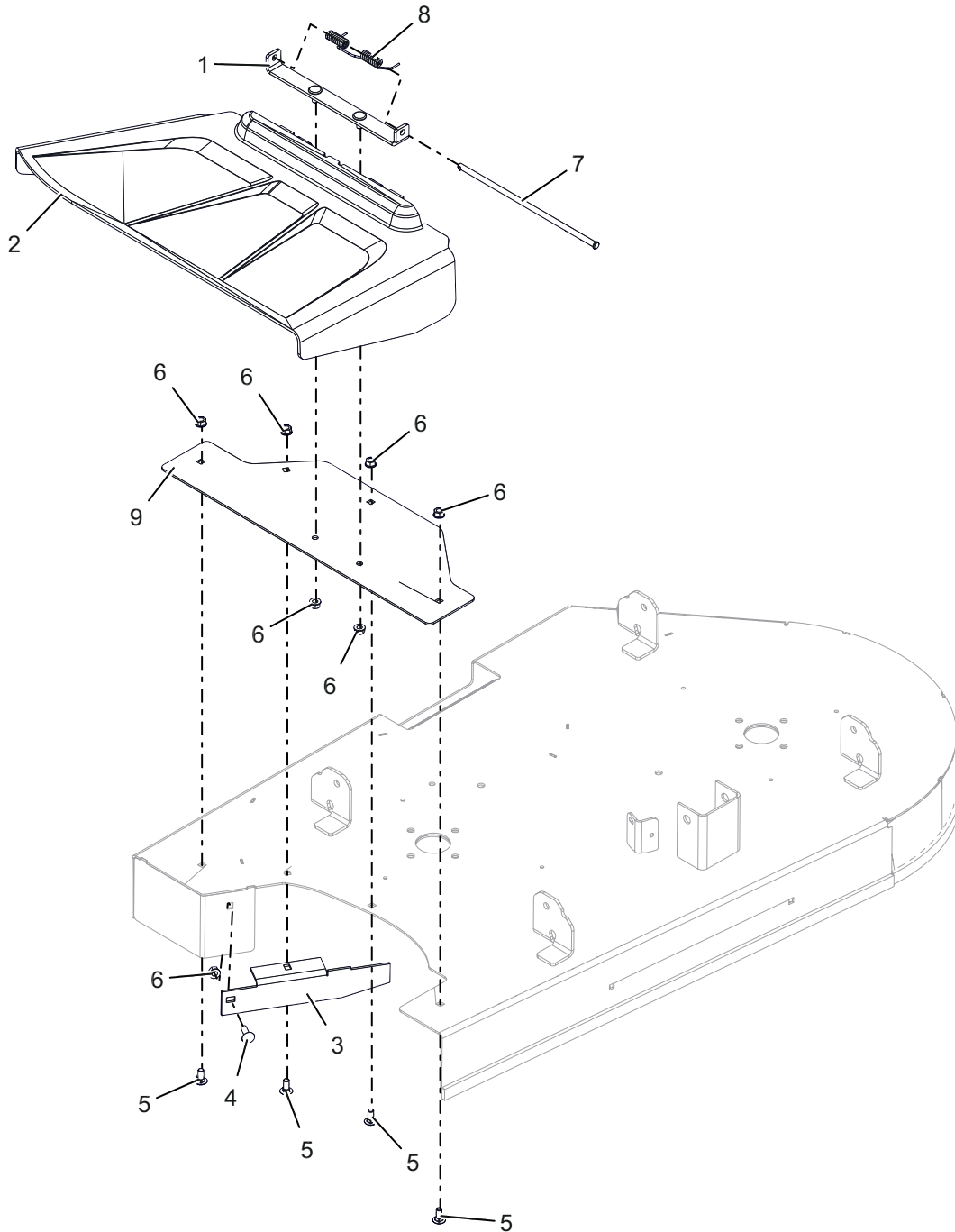
Model 915338



BOM ID	Number	Qty	Description
1	00662659	1	CHUTE, REINFORCEMENT
2	01258100	1	SPRG, TORSION
3	03994300	1	CHUTE, SIDE
4	05920900	2	SCR, SKH .31-18X.75 BTNHD ZCC
5	06401023	2	WSHR-FL-STL 0.375X0.875X0.083 ZC120
6	06500840	2	NUT, FLG-CTR LK .312-18 GR5 ZCC
7	06700222	1	PIN, HAIR #213 .08X1.19 ZCC
8	06800002	1	PIN, 5/16 X 3.88

DISCHARGE CHUTE AND BAFFLE – 42"

Model 915339



BOM ID	Number	Qty	Description
1	04799800	1	WLDMT, CHUTE MOUNTING BRACKET
2	04795000	1	CHUTE, SIDE DISCHARGE
3	05292159	1	STRIP, DEFLECTOR (ORANGE)
4	06200231	1	BLT,RHSN .313-18 X 1 G5 ZCC
5	06200232	4	BLT,RHSN .313-18 X 0.75 G5 ZCC
6	06500840	7	NUT, FLG-CTR LK .312-18 GR5 ZCC
7	06800205	1	PIN, SLIC-.312X10.45
8	08300621	1	SPRG, TORSION .35 ID (CHUTE)
9	09153859	1	PLATE, DECK - DISCHARGE (ORANGE)



ARIENS

655 West Ryan Street
Brillion, WI 54110

ariensco.com



ARIENS | CO