



**ARIENS**

# ZENITH CE

## Parts Manual

*Models:*

**991320 – ZENITH 52 SD CE**  
(SN 000101 +)

**991321 – ZENITH 52 RD CE**  
(SN 000101 +)

**991322 – ZENITH 60 SD CE**  
(SN 000101 +)

**991323 – ZENITH 60 RD CE**  
(SN 000101 +)

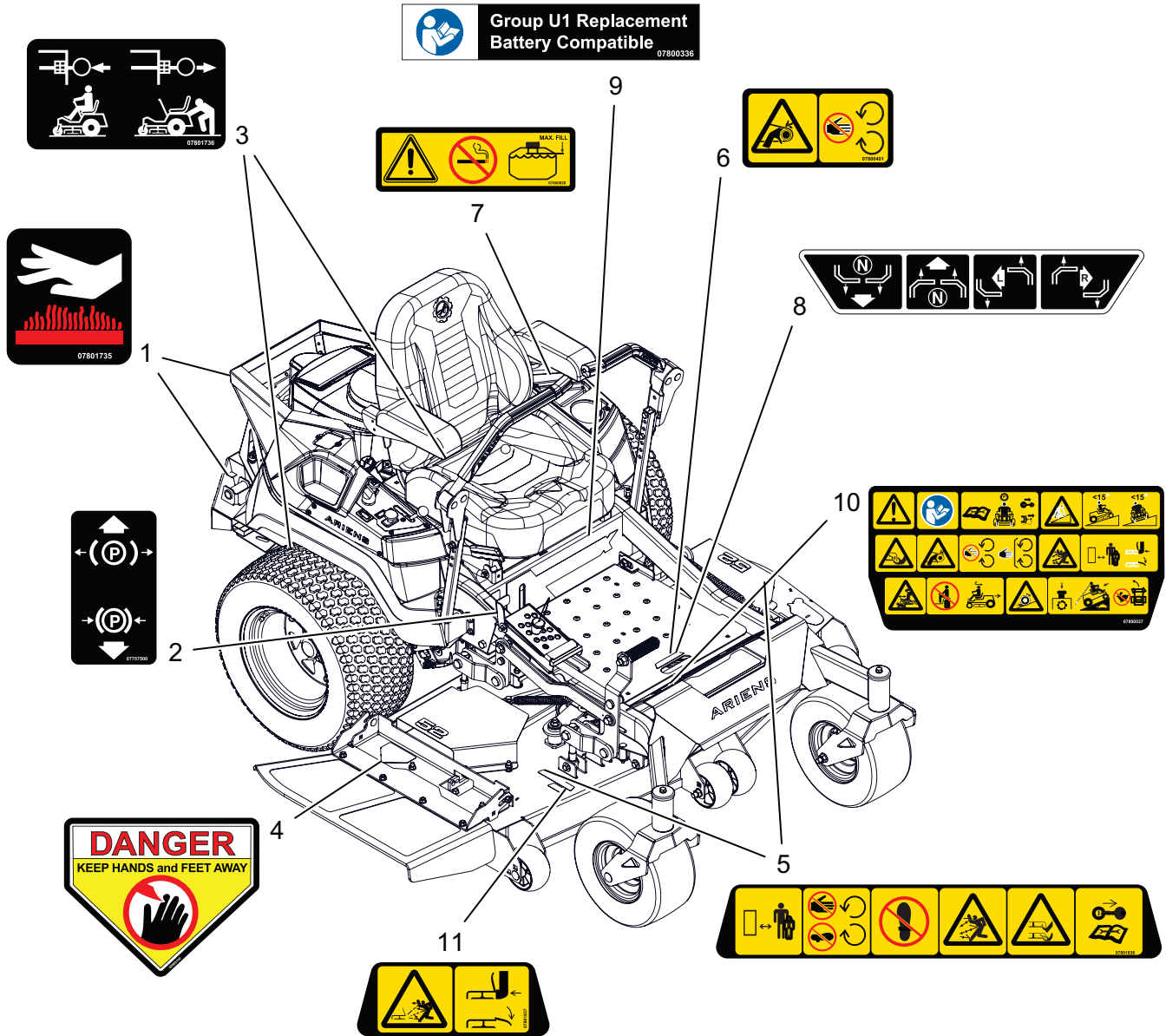
# TABLE OF CONTENTS

---

Decals – Safety – SD .....	3	Electrical – Fuse Box Layout.....	26
Decals – Safety – RD .....	4	Wiring Diagram – Main Harness .....	27
Decals – Style – 52" .....	5	Deck Lift – LH – 52" .....	28
Decals – Style – 60" .....	6	Deck Lift – LH – 60" .....	29
Frame – 52" .....	7	Deck Lift – RH – 52" .....	30
Frame – 60" .....	8	Deck Lift – RH – 60" .....	31
Engine – Kawasaki FX730 .....	9	Deck, Belts, Blades, and Spindles – 52" – SD .....	32
Clutch .....	10	Deck, Belts, Blades, and Spindles – 52" – RD .....	33
Heat Shield .....	11	Deck, Belts, Blades, and Spindles – 60" – SD .....	34
Seat .....	12	Deck, Belts, Blades, and Spindles – 60" – RD .....	35
Engine Guard .....	13	Idlers and Sheaves .....	36
Fenders .....	14	Anti-Scalp Wheels and Baffle – 52" – SD .....	37
Fuel System.....	15	Anti-Scalp Wheels – 52" – RD .....	38
Controls .....	16	Anti-Scalp Wheels and Baffle – 60" – SD .....	39
Parking Brake .....	17	Anti-Scalp Wheels – 60" – RD .....	40
ROPS .....	18	Belt Guards – 52" – SD .....	41
Front Caster Wheels.....	19	Belt Guards – 52" – RD.....	42
Rear Tires and Transaxles – 52" .....	20	Belt Guards – 60" – SD .....	43
Rear Tires and Transaxles – 60" .....	21	Belt Guards – 60" – RD.....	44
Transaxle Drive .....	22	Discharge Chute – SD .....	45
Control Panel.....	23	Deflectors – RD .....	46
Electrical .....	24		
Wiring Diagram – Engine Jumper Harness .....	25		

# DECALS – SAFETY – SD

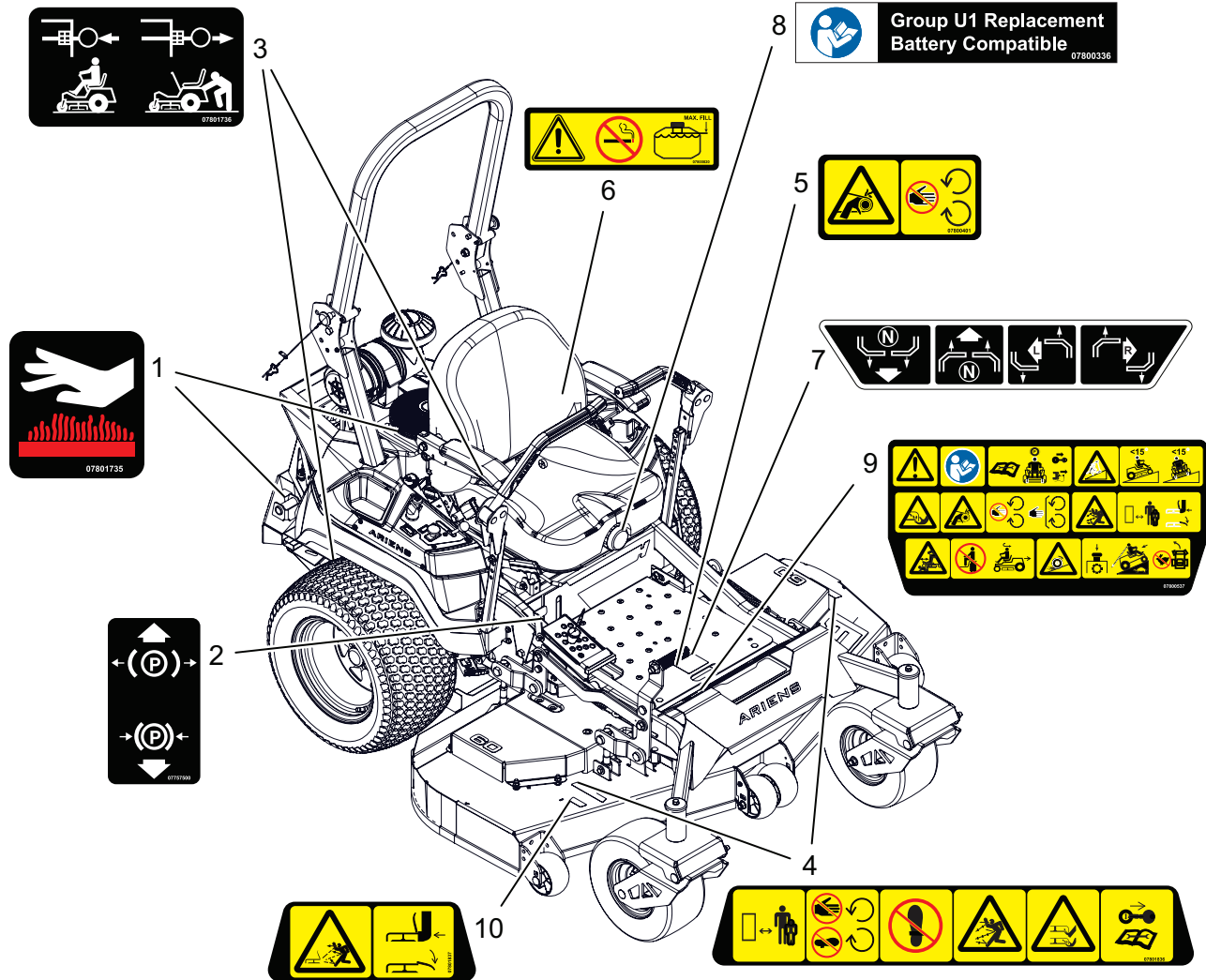
Model 991320, 322



BOM ID	Number	Qty	Description
1	07801735	2	DECAL, SAFETY HOT SURFACE
2	07757500	1	DECAL, PARKING BRAKE LEVER
3	07801736	2	DECAL, TRANSAXLE DISCONNECT
4	02988100	1	DECAL, DANGER
5	07801836	2	DECAL, SAFETY -MOWER DECK
6	07800401	1	DECAL, SAFETY - GUARDING
7	07800820	1	DECAL, FUEL WARNING
8	07801724	1	DECAL, INSTRUCTION -STEERING
9	07800336	1	DECAL, INSTRUCTION - U1 REPLACEMENT BATTERY
10	07800537	1	DECAL, MAIN SAFETY
11	07801837	1	DECAL, SAFETY -DECK GUARDING

# DECALS – SAFETY – RD

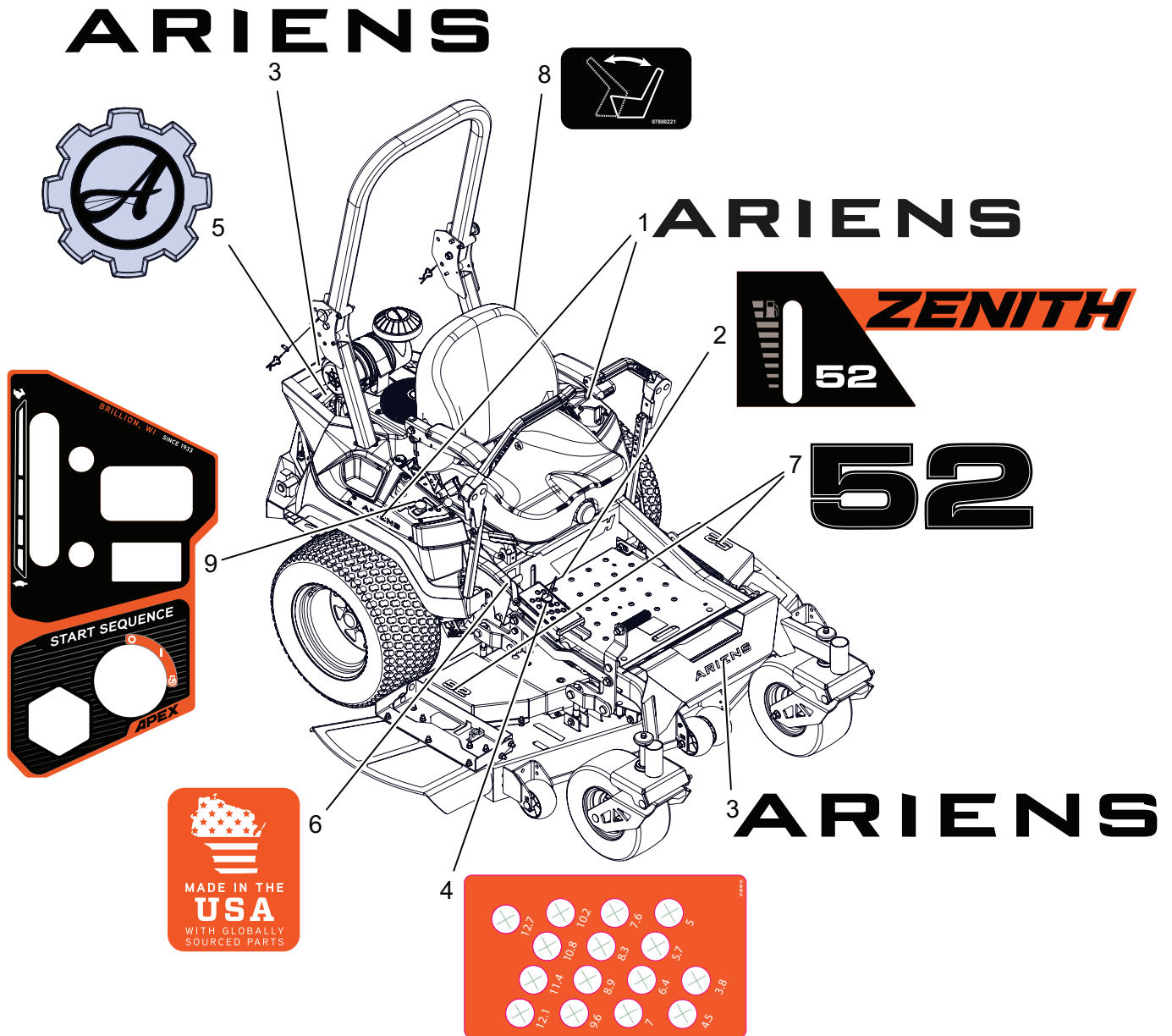
Model 991321, 323



BOM ID	Number	Qty	Description
1	07801735	2	DECAL, SAFETY HOT SURFACE
2	07757500	1	DECAL, PARKING BRAKE LEVER
3	07801736	2	DECAL, TRANSAXLE DISCONNECT
4	07801836	2	DECAL, SAFETY -MOWER DECK
5	07800401	1	DECAL, SAFETY - GUARDING
6	07800820	1	DECAL, FUEL WARNING
7	07801724	1	DECAL, INSTRUCTION -STEERING
8	07800336	1	DECAL, INSTRUCTION - U1 REPLACEMENT BATTERY
9	07800537	1	DECAL, MAIN SAFETY
10	07801837	1	DECAL, SAFETY -DECK GUARDING

# DECALS – STYLE – 52"

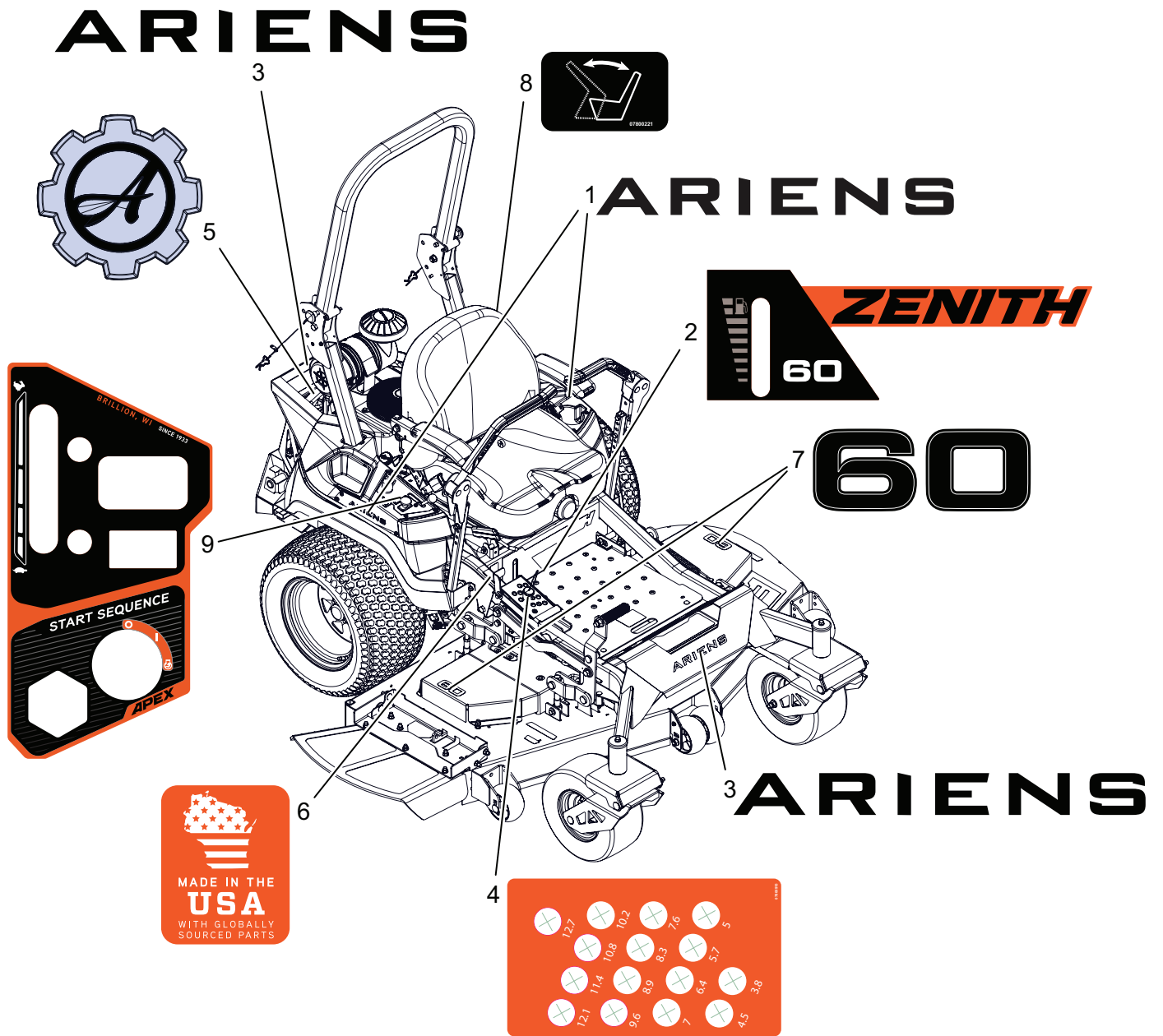
Model 991320, 321



BOM ID	Number	Qty	Description
1	07801817	2	DECAL, ARIENS 6.000" BLACK
2	07802227	1	DECAL, ZENITH 52 KICKPLATE
3	07801734	2	DECAL, ARIENS 9.625" BLACK
4	07800915	1	DECAL, ARIENS APEX - HOC METRIC
5	07801627	1	DECAL, ARIENS GEAR BADGE
6	07801832	1	DECAL, MADE IN USA
7	07802013	2	DECAL, DECK 52
8	07800221	1	DECAL, SEAT RELEASE
9	07802015	1	DECAL, DASH - APEX

# DECALS – STYLE – 60"

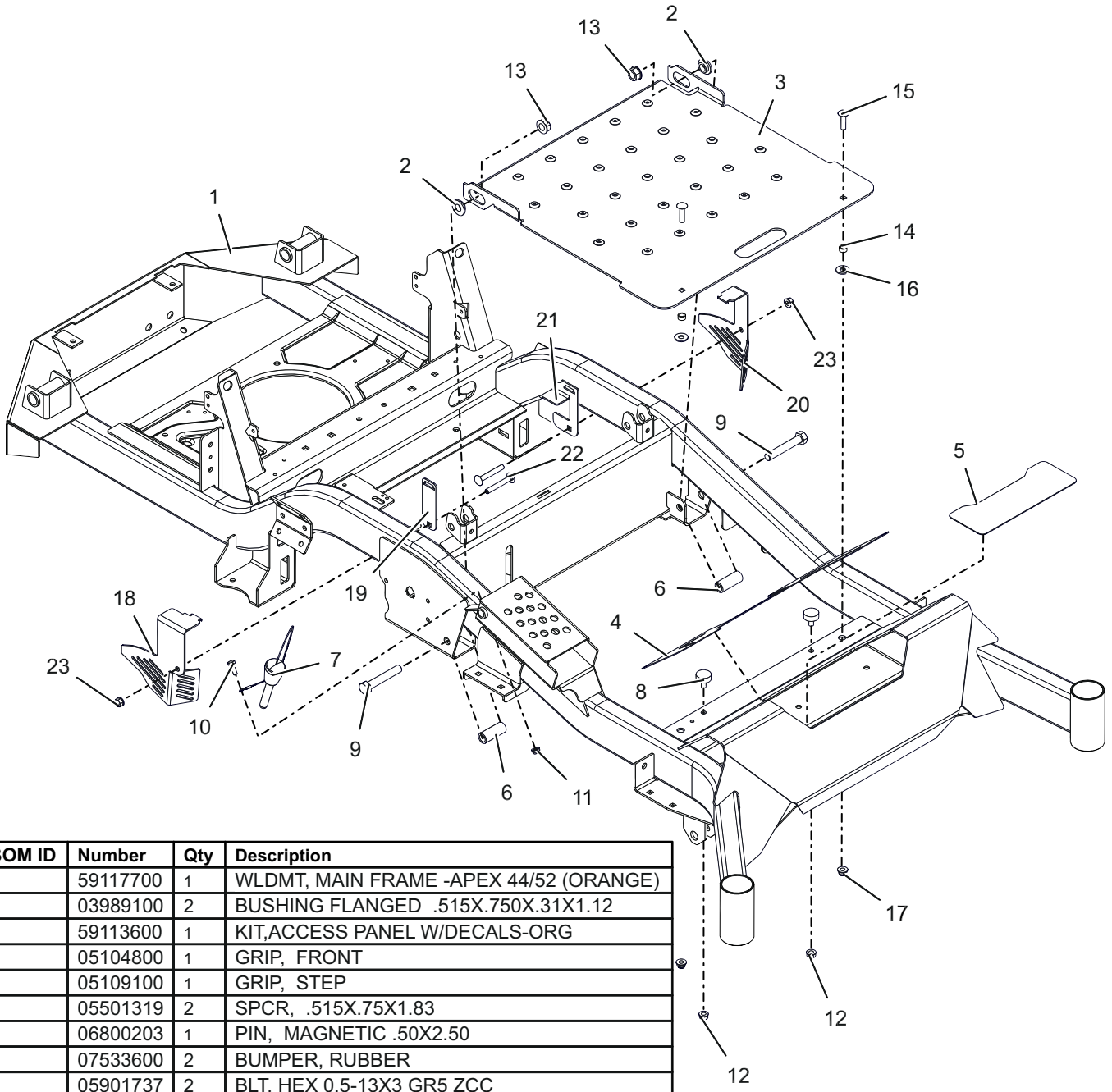
Model 991322, 323



BOM ID	Number	Qty	Description
1	07801817	2	DECAL, ARIENS 6.000" BLACK
2	07801814	1	DECAL, ZENITH 60 KICKPLATE
3	07801734	2	DECAL, ARIENS 9.625" BLACK
4	07800915	1	DECAL, ARIENS APEX - HOC METRIC
5	07801627	1	DECAL, ARIENS GEAR BADGE
6	07801832	1	DECAL, MADE IN USA
7	07802014	2	DECAL, DECK 60
8	07800221	1	DECAL, SEAT RELEASE
9	07802015	1	DECAL, DASH - APEX

# FRAME - 52"

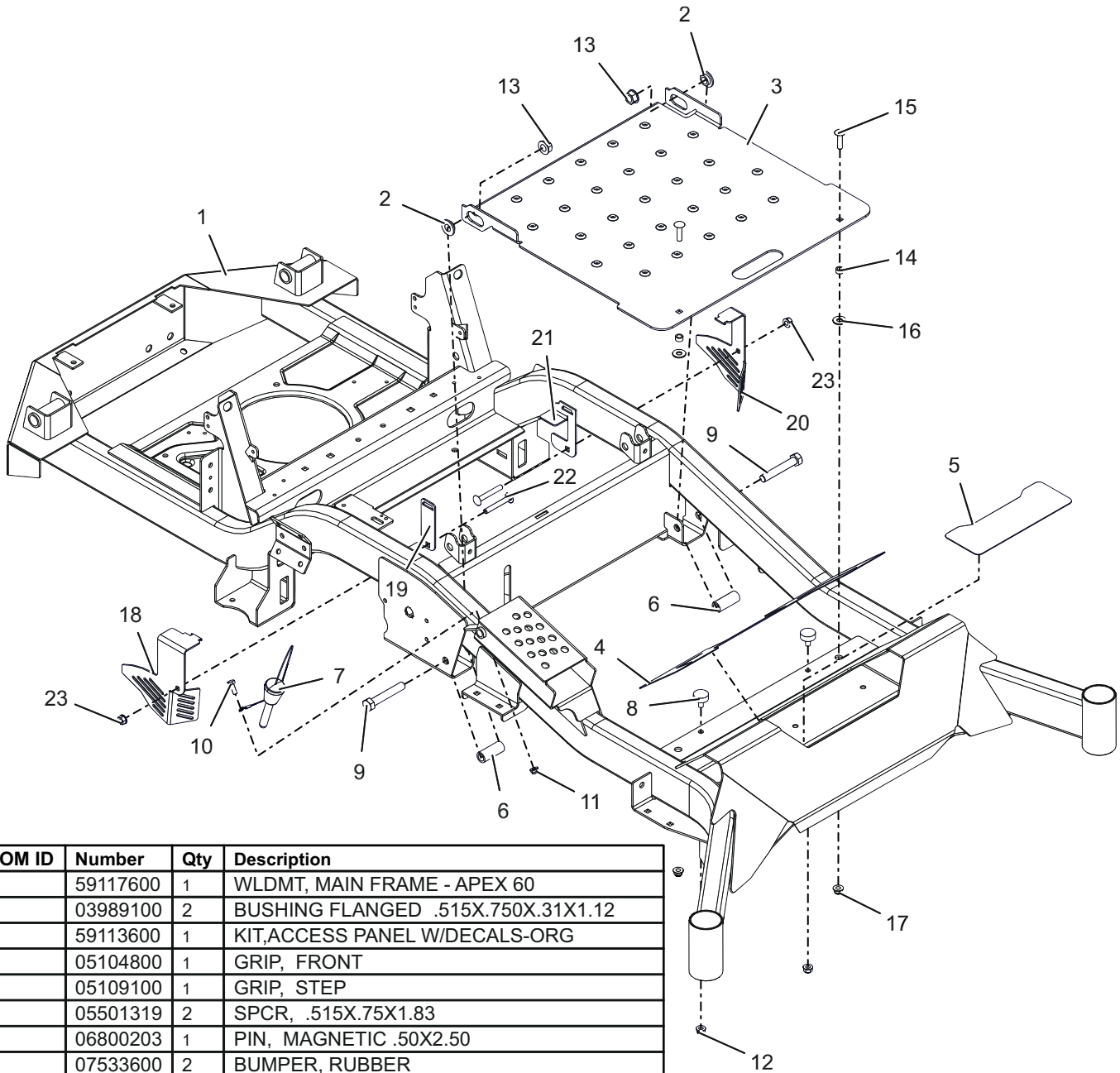
Model 991320, 321



BOM ID	Number	Qty	Description
1	59117700	1	WLDMT, MAIN FRAME -APEX 44/52 (ORANGE)
2	03989100	2	BUSHING FLANGED .515X.750X.31X1.12
3	59113600	1	KIT,ACCESS PANEL W/DECALS-ORG
4	05104800	1	GRIP, FRONT
5	05109100	1	GRIP, STEP
6	05501319	2	SPCR, .515X.75X1.83
7	06800203	1	PIN, MAGNETIC .50X2.50
8	07533600	2	BUMPER, RUBBER
9	05901737	2	BLT, HEX 0.5-13X3 GR5 ZCC
10	05901716	1	BLT, HEX 0.25-20X0.75 GR5 ZC120
11	06500813	1	NUT, LK-NYL-FLG .25-20 GR5 ZC120
12	06500815	2	NUT, FLG-SPNLK .312-18 GR5 ZC120
13	06500907	2	NUT, FLG-TOP LK .500-13 GF ZCC
14	05501323	2	SPCR, SLEEVED .334 x .500 x .260
15	06200310	2	BTL,RHSSN .313-18 X 1.25 G5 ZCC
16	06401023	2	WSHR-FL-STL 0.375X0.875X0.083 ZC120
17	06500809	2	NUT, LK-NYL-FLG .31-18 GR5 ZC120
18	05199951	1	BRKT, TRANSAXLE FAN GUARD-RH (BLACK)
19	05200051	1	BRKT, TRANSAXLE FAN GUARD (BLACK)
20	05240751	1	BRKT, TRANSAXLE FAN GUARD-LH (BLACK)
21	05241351	1	MOUNT, TRANSAXLE GUARD (BLACK)
22	06200311	2	BTL,RHSSN .313-18 X 2.25 G5 ZCC
23	06500840	2	NUT, FLG-CTR LK .312-18 GR5 ZCC

# FRAME - 60"

Model 991322, 323

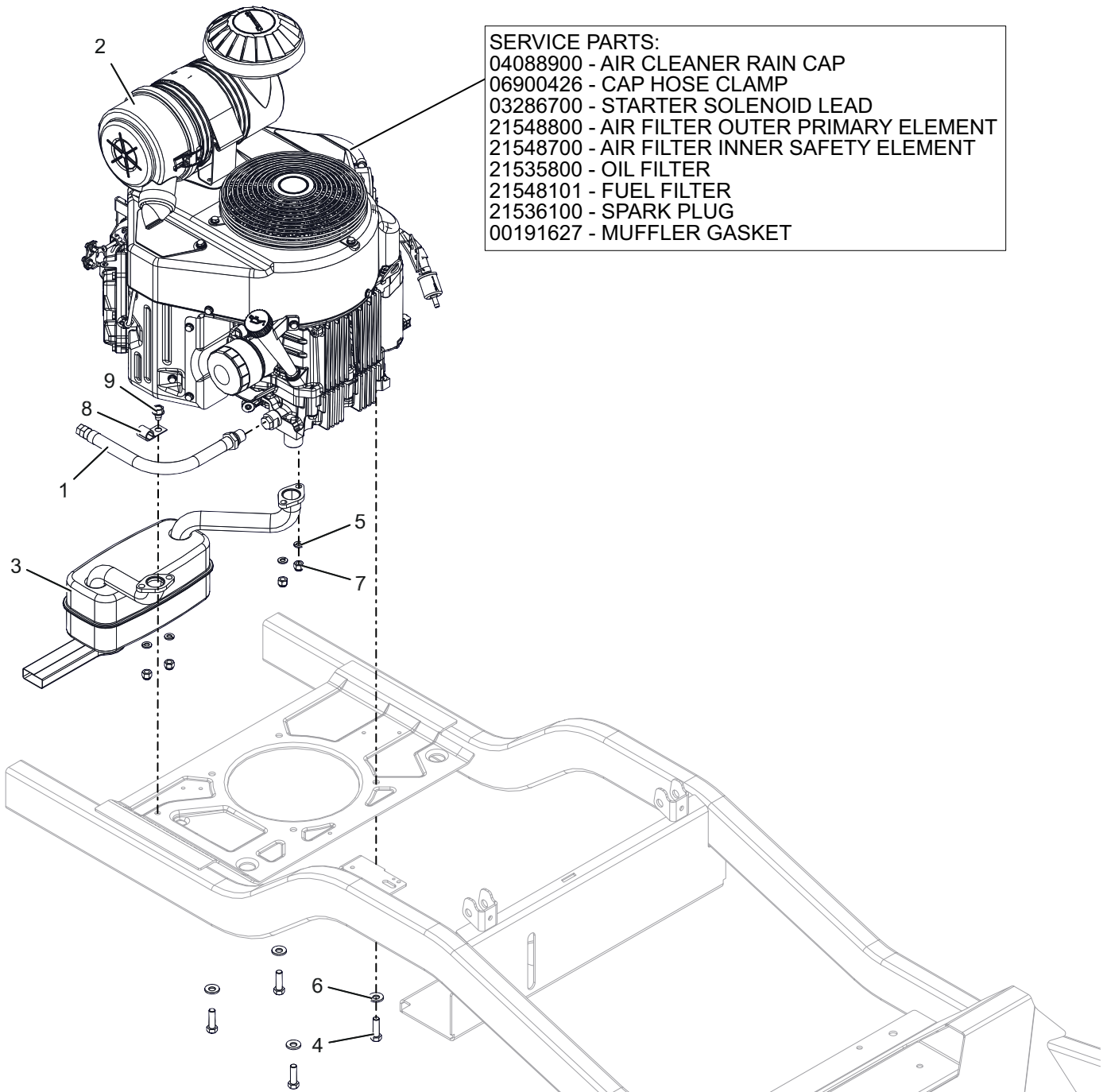


BOM ID	Number	Qty	Description
1	59117600	1	WLDMT, MAIN FRAME - APEX 60
2	03989100	2	BUSHING FLANGED .515X.750X.31X1.12
3	59113600	1	KIT,ACCESS PANEL W/DECALS-ORG
4	05104800	1	GRIP, FRONT
5	05109100	1	GRIP, STEP
6	05501319	2	SPCR, .515X.75X1.83
7	06800203	1	PIN, MAGNETIC .50X2.50
8	07533600	2	BUMPER, RUBBER
9	05901737	2	BLT, HEX 0.5-13X3 GR5 ZCC
10	05901716	1	BLT, HEX 0.25-20X0.75 GR5 ZC120
11	06500813	1	NUT, LK-NYL-FLG .25-20 GR5 ZC120
12	06500815	2	NUT, FLG-SPNLK .312-18 GR5 ZC120
13	06500907	2	NUT, FLG-TOP LK .500-13 GF ZCC
14	05501323	2	SPCR, SLEEVED .334 x .500 x .260
15	06200310	2	BTL,RHSSN .313-18 X 1.25 G5 ZCC
16	06401023	2	WSHR-FL-STL 0.375X0.875X0.083 ZC120
17	06500809	2	NUT, LK-NYL-FLG .31-18 GR5 ZC120
18	05199951	1	BRKT, TRANSAXLE FAN GUARD-RH (BLACK)
19	05200051	1	BRKT, TRANSAXLE FAN GUARD (BLACK)
20	05240751	1	BRKT, TRANSAXLE FAN GUARD-LH (BLACK)
21	05241351	1	MOUNT, TRANSAXLE GUARD (BLACK)
22	06200311	2	BTL,RHSSN .313-18 X 2.25 G5 ZCC
23	06500840	2	NUT, FLG-CTR LK .312-18 GR5 ZCC



# ENGINE – KAWASAKI FX730

Model All

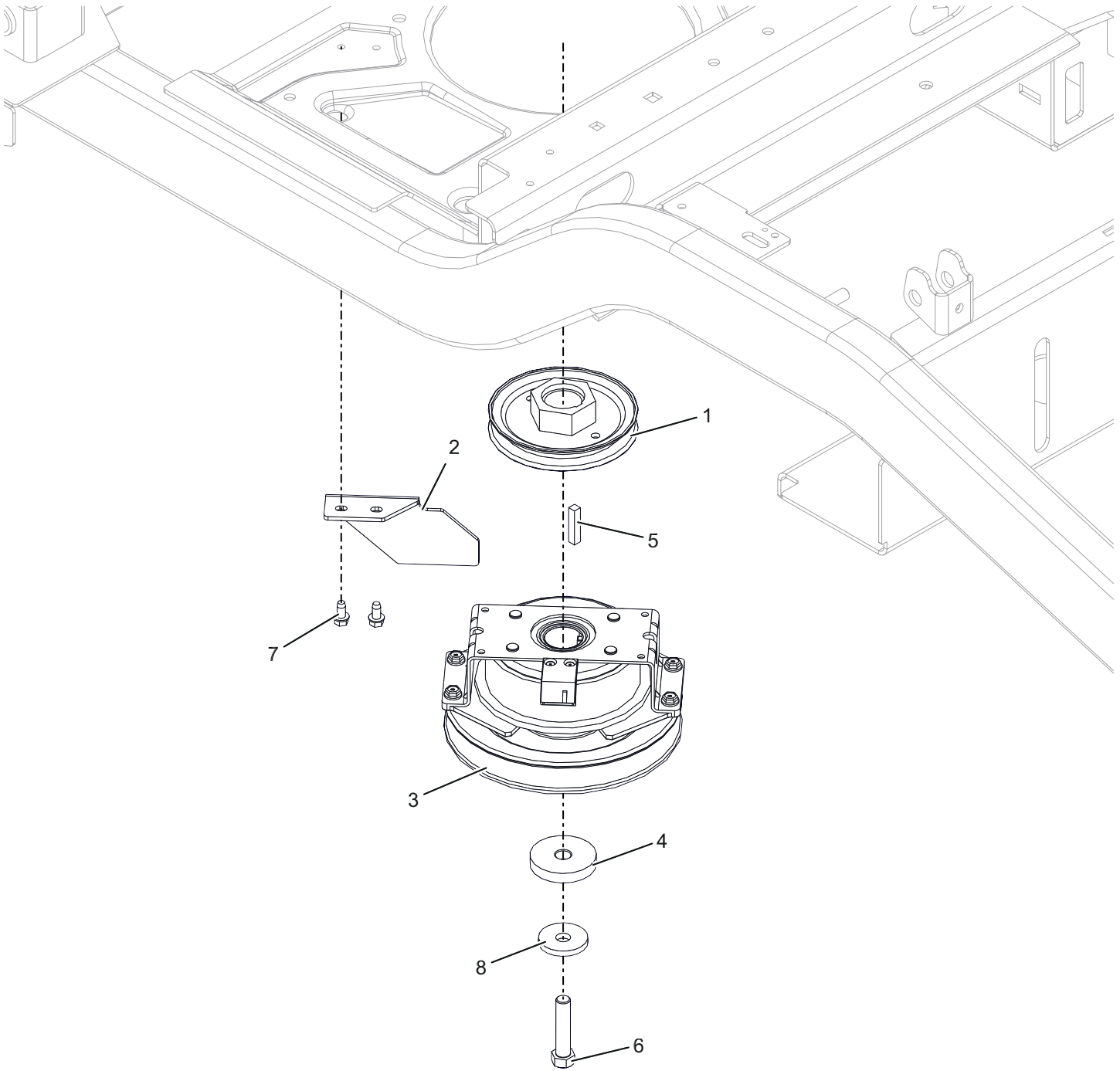


SERVICE PARTS:  
 04088900 - AIR CLEANER RAIN CAP  
 06900426 - CAP HOSE CLAMP  
 03286700 - STARTER SOLENOID LEAD  
 21548800 - AIR FILTER OUTER PRIMARY ELEMENT  
 21548700 - AIR FILTER INNER SAFETY ELEMENT  
 21535800 - OIL FILTER  
 21548101 - FUEL FILTER  
 21536100 - SPARK PLUG  
 00191627 - MUFFLER GASKET

BOM ID	Number	Qty	Description
1	07001730	1	HOSE, OIL DRAIN
2	08201338	1	ENGINE, KAWASAKI - FX730
3	04754300	1	MUFFLER, KAWASAKI
4	05901808	4	BLT, HEX 0.375-16X1.25 GR5 ZCC NT
5	06300119	4	WSHR,LK-REG 0.314 X 0.078 ZCC
6	06400927	4	WSHR, 3/8" SPRING DISC
7	06500817	4	NUT, LK-NYL M8-1.25 GR8.8 ZCC
8	06916000	1	J-CLAMP
9	07400126	1	SCR-TAP .38-16X.500 HWH ZCC

# CLUTCH

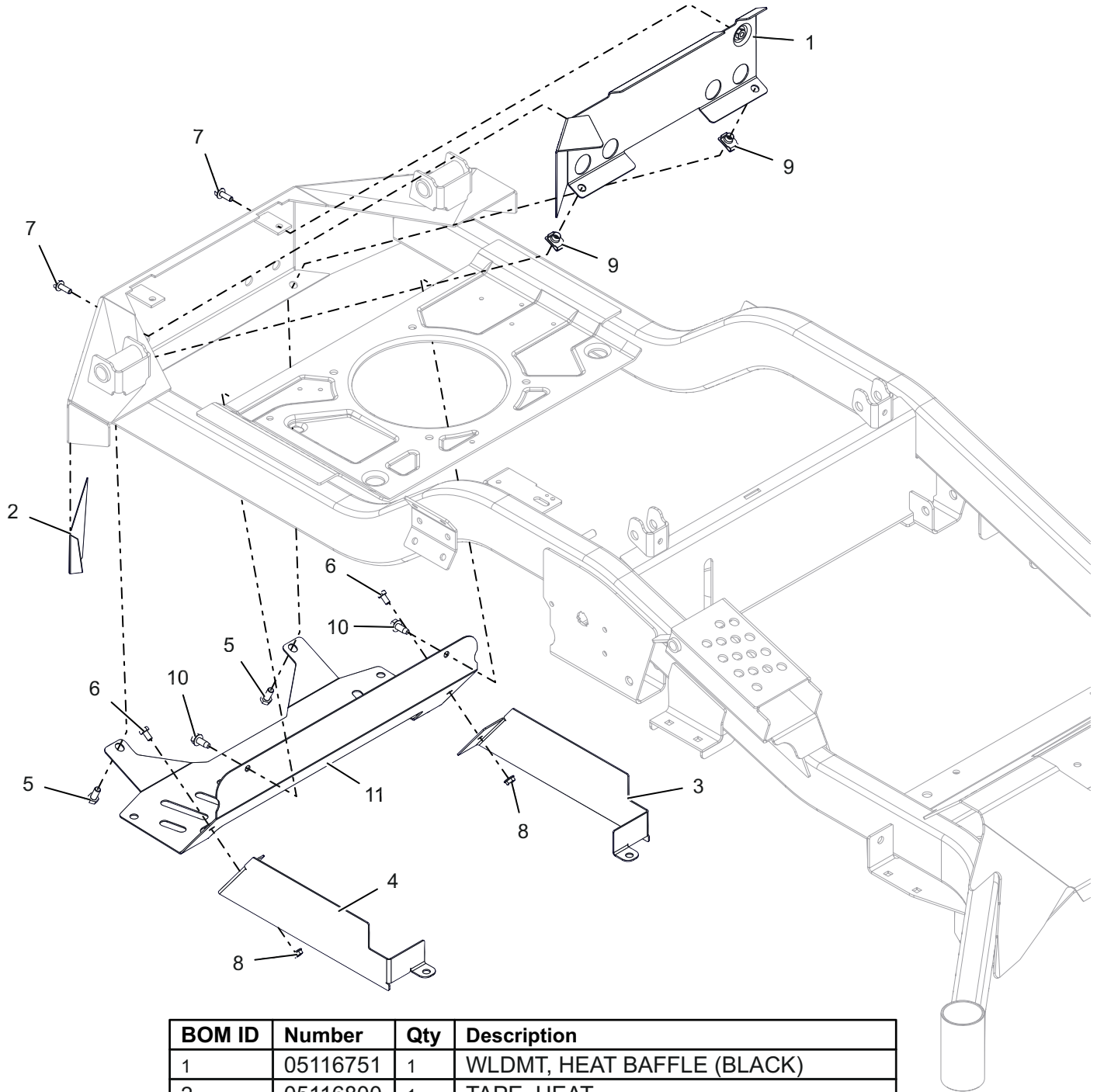
Model All



BOM ID	Number	Qty	Description
1	07348700	1	PULLEY, 4.50 OD X 1.127 ENGINE
2	05016151	1	BRKT, CLUTCH STOP (HD)
3	05191600	1	CLUTCH, OGURA DBL SPRG, 1.125
4	05501240	1	SPCR, .474/.459 X 2.00 X .350
5	06603400	1	KEY-SQ .250X.250X1.250
6	05901916	1	BLT, HEX 0.4375-20X2 G8 ZCC NT
7	07400122	2	SCR-TAP .25-20X.50 HWH ZCC
8	06400936	1	WSHR, 7/16" SPRING DISC

# HEAT SHIELD

Model All

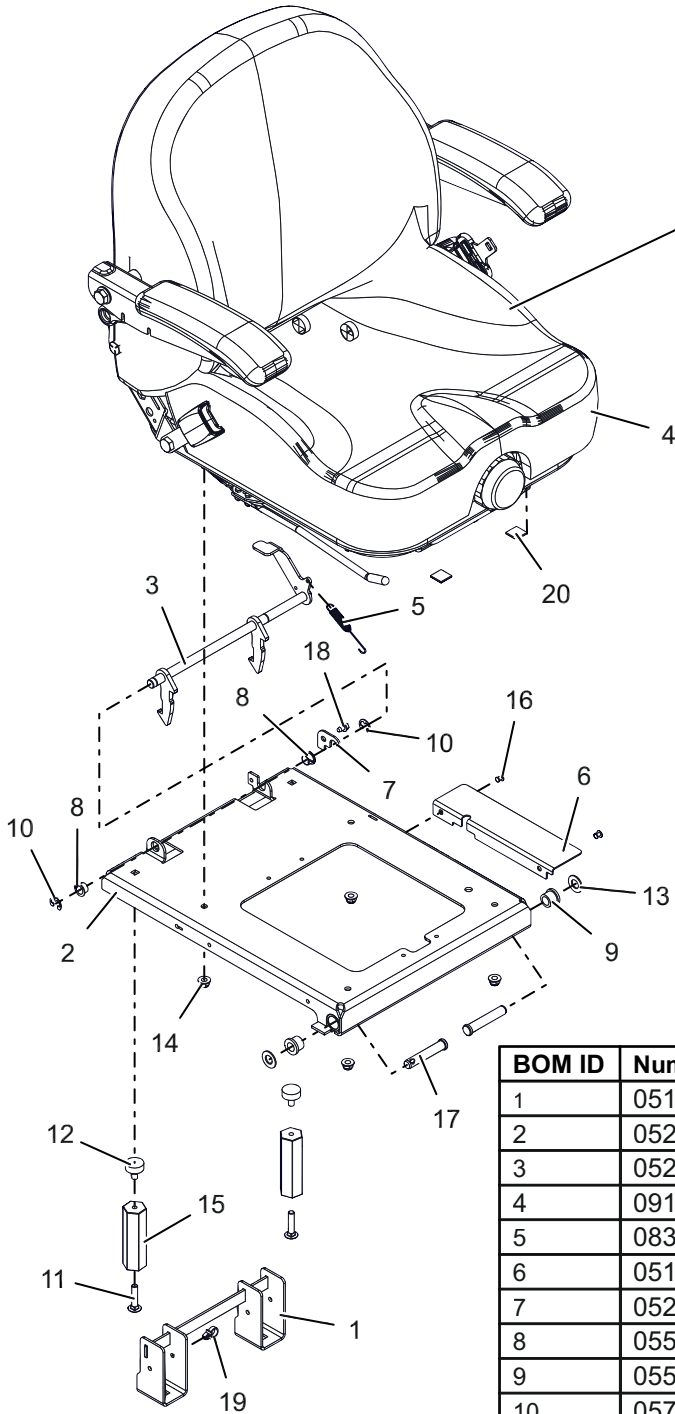


BOM ID	Number	Qty	Description
1	05116751	1	WLDMT, HEAT BAFFLE (BLACK)
2	05116800	1	TAPE, HEAT
3	05140751	1	GUARD, REAR CLUTCH LH (BLACK)
4	05140851	1	GUARD, REAR CLUTCH RH (BLACK)
5	05901704	2	BLT, HEX 0.3125-18X0.75 GR5 ZC120
6	05901705	2	BLT, HEX 0.25-20X0.5 GR5 ZC120
7	05901731	2	BLT, HEX-FLG 0.25-20X0.75 GR5 ZB500
8	06500903	2	NUT, FLG-TOP LK .250-20 GR5 ZC120
9	07000829	2	NUT-CLIP RETAINER 5/16-18X.56
10	07400127	2	SCR-TAP .312-18X.75 HWH ZCC
11	05082851	1	SHIELD, HEAT (HD) (BLACK)

# SEAT

## Model All

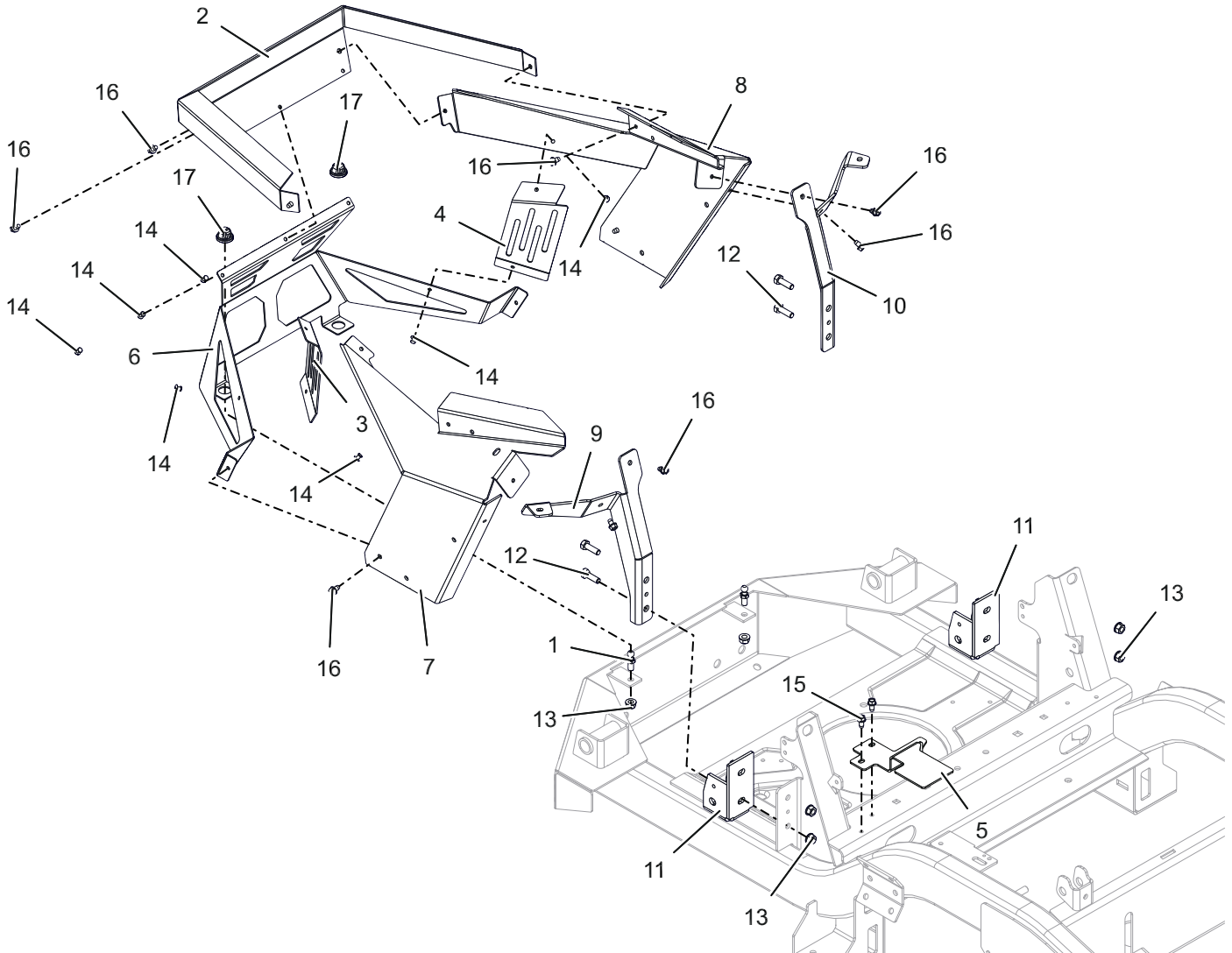
**SERVICE PARTS:**  
 21596100 - SEAT BACK COVER  
 21557800 - SEAT CUSHION COVER  
 21557900 - SEAT BELT KIT  
 21552000 - LH ARMREST PAD  
 21560900 - RH ARMREST PAD  
 21558000 - RH ARMREST ASM  
 21558100 - LH ARM REST ASM  
 21558200 - RH & LH ARMREST ASM SET  
 21558300 - SEAT ADJUSTMENT TRACK SET  
 21558400 - LOW PROFILE RECLINER KNOB KIT  
 21558500 - BELLOWS KIT  
 21558600 - WEIGHT ADJUSTMENT KNOB KIT  
 21558700 - LUMBAR LEVER KIT  
 02754100 - SEAT SWITCH



BOM ID	Number	Qty	Description
1	05118451	1	WLDMT, LATCH RECIEVER (BLACK)
2	05255751	1	WLDMT, SEAT PLATE (BLACK)
3	05255851	1	WLDMT, SEAT LATCH (BLACK)
4	09160300	1	SEAT, -MECH. SUSP. 18"
5	08321100	1	SPRG, EXTENSION - .043 X .440 X 3.310
6	05108451	1	GUARD, SEAT PLATE (BLACK)
7	05255951	1	BRKT, ROD KEEPER (BLACK)
8	05500026	2	BUSHING, POLYLINER - .50 SPLIT
9	05500901	2	BUSHING FLANGED .516 X .750 X .625 X .937
10	05710200	2	RING, RETAINING EXT .500X.042 (E)
11	06200233	2	BLT,RHSN .313-18 X 1.5 G5 ZCC
12	07533600	2	BUMPER, RUBBER
13	06401115	2	WSHR-FL-STL 0.531X1X0.063 ZCC
14	06500809	4	NUT, LK-NYL-FLG .31-18 GR5 ZC120
15	06553300	2	NUT, COUPLER 5/16-18 X 1.125X 3.8
16	06800120	2	RVT, POP .187x.250 AL/AL
17	06800202	2	PIN, SLIC-.500X2.70X2.31 -ZC
18	07400125	1	SCR-TAP .25-20X.38 HWH ZCC
19	00367900	1	CLIP, ROUTING (.50 ID)
20	07525100	2	STOP, RUBBER

# ENGINE GUARD

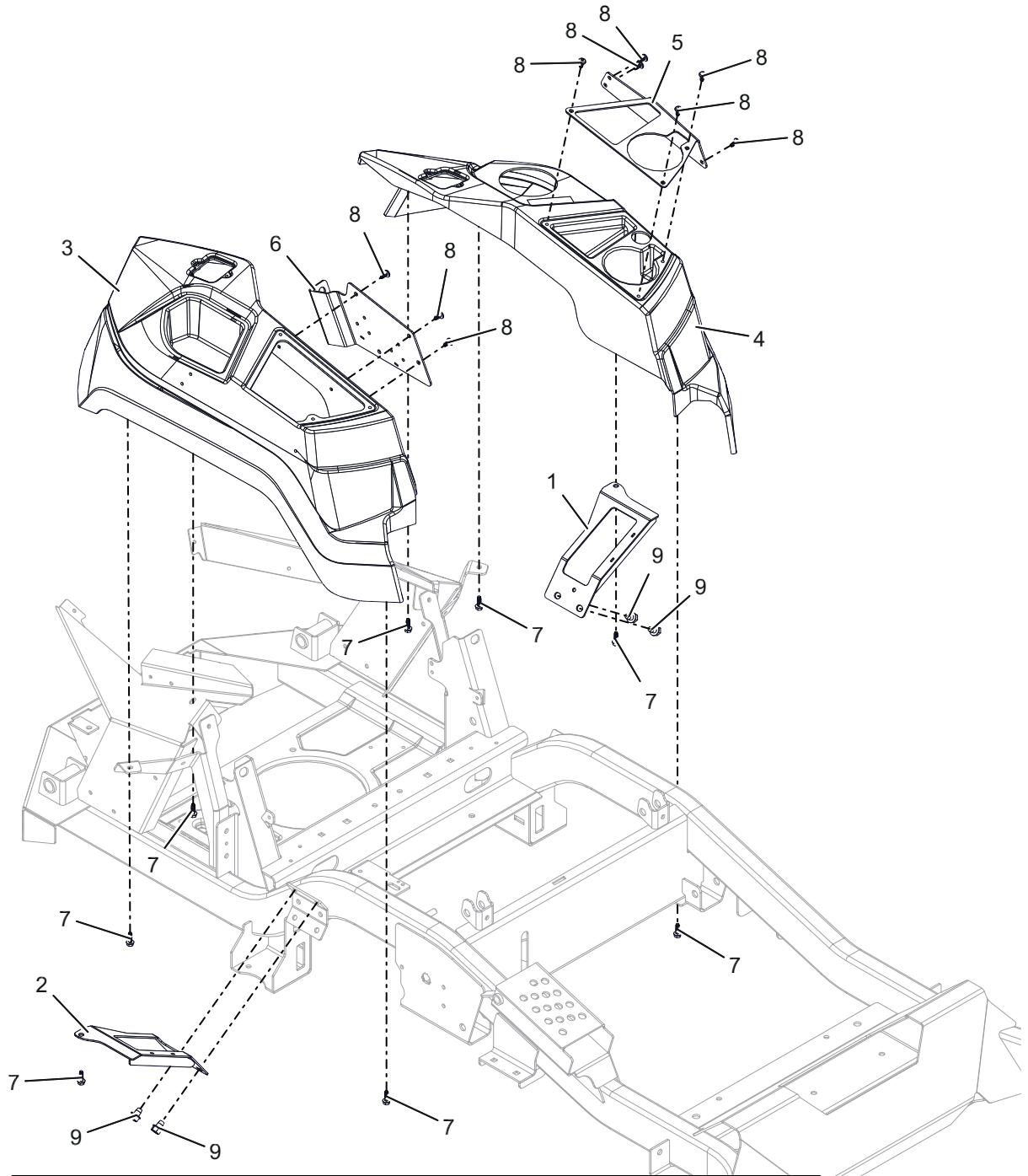
Model All



BOM ID	Number	Qty	Description
1	03652200	2	STUD-BALL
2	05103559	1	GUARD, ENGINE WRAP (ORANGE)
3	05140551	1	SHIELD, RH ENGINE GUARD VALVE
4	05140651	1	SHIELD, LH ENGINE GUARD VALVE (BLACK)
5	05167751	1	GUARD, TRANSAXLE FAN RH (BLACK)
6	05196751	1	GUARD, ENGINE (BLACK)
7	05196859	1	PANEL, RH REAR FENDER MOUNT (ORANGE)
8	05196959	1	PANEL, LH REAR FENDER MOUNT (ORANGE)
9	05244459	1	BRKT, RH FENDER MTG (ORANGE)
10	05244559	1	BRKT, LH FENDER MTG (ORANGE)
11	05248051	2	BRKT, ROPS SUPPORT (BLACK)
12	05901802	4	BLT, HEX 0.3125-18X1 GR8 ZCC
13	06500840	6	NUT, FLG-CTR LK .312-18 GR5 ZCC
14	06800120	7	RVT, POP .187x.250 AL/AL
15	07400122	2	SCR-TAP .25-20X.50 HWH ZCC
16	07400125	10	SCR-TAP .25-20X.38 HWH ZCC
17	07500407	2	GROMMET, 10mm BOLLHOFF

# FENDERS

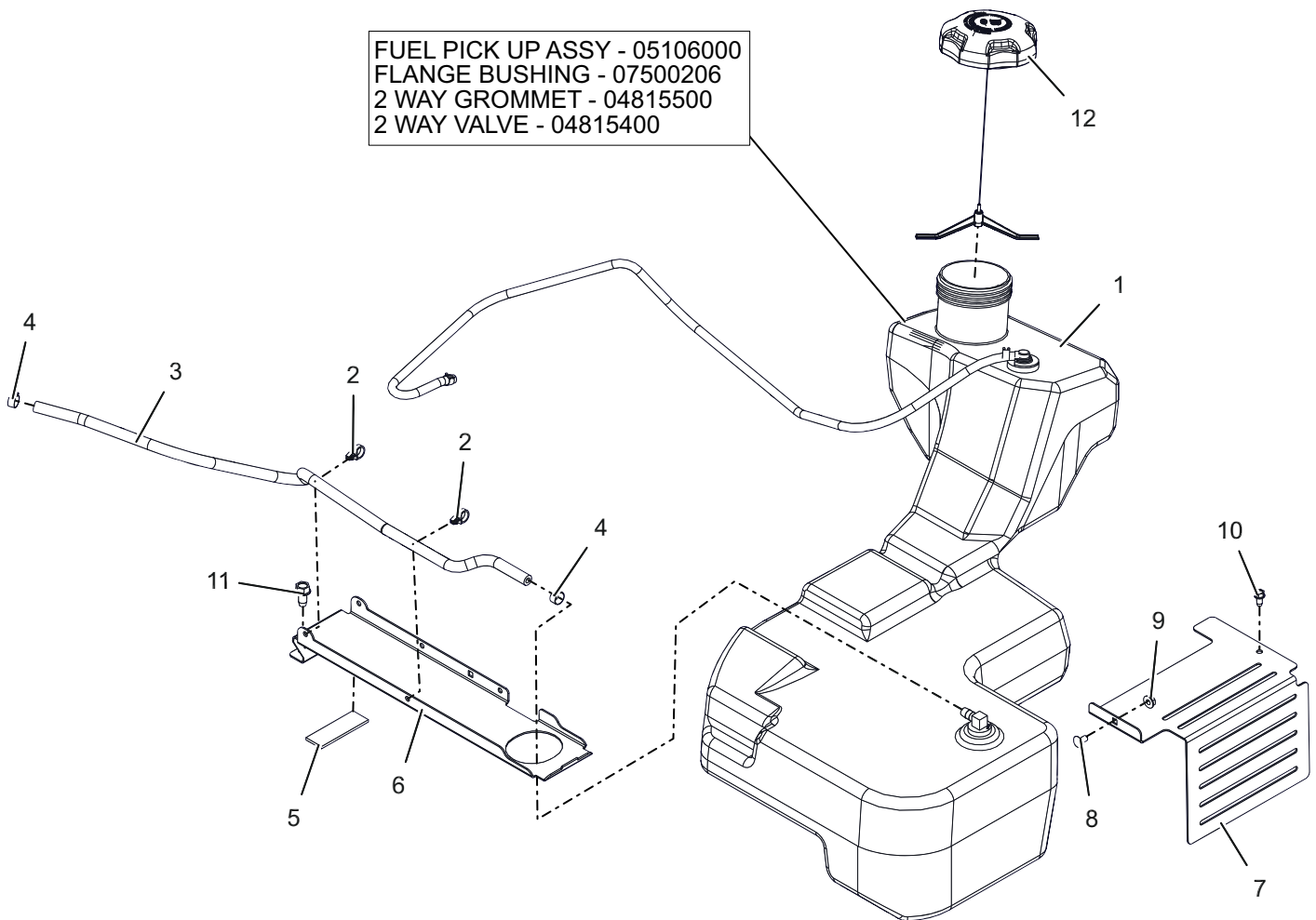
Model All



BOM ID	Number	Qty	Description
1	05095151	1	WLDMT, LH FENDER MOUNT (BLACK)
2	05105151	1	WLDMT, RH FENDER BRACKET (BLACK)
3	05100400	1	FENDER, RH APEX
4	59113800	1	KIT, FENDER LH W/ DECAL-APEX
5	05108859	1	PLATE, CUP
6	05126951	1	BRKLT, RELAY
7	06100231	8	SCR, PLASTITE-HWH 0.25 X 0.75 ZC120
8	07400123	9	SCR-TAP .25-15X.50 PLASTITE BLZC
9	07400126	4	SCR-TAP .38-16X.500 HWH ZCC

# FUEL SYSTEM

Model All

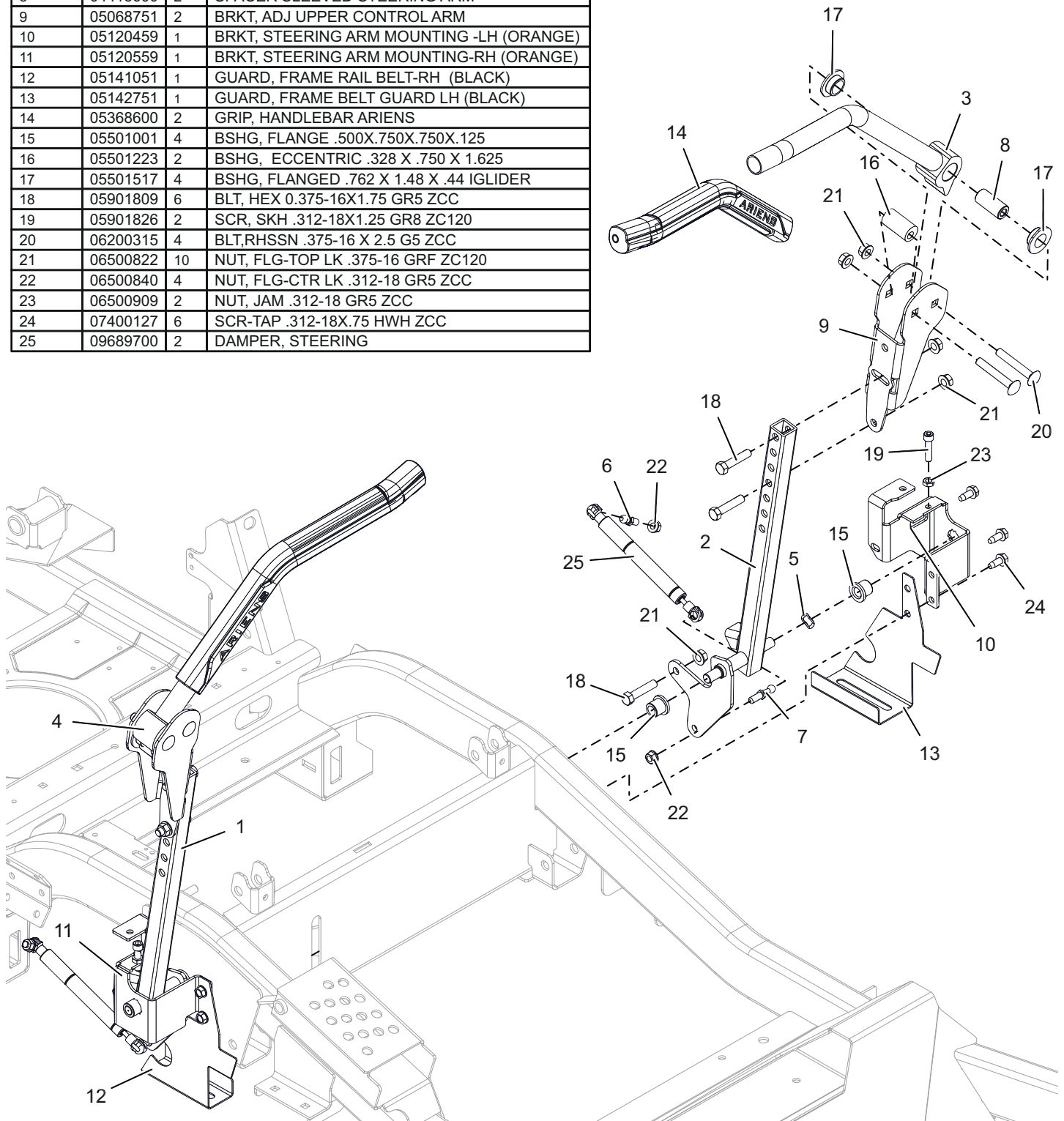


BOM ID	Number	Qty	Description
1	09167300	1	ASM, FUEL TANK-HD
2	00367900	2	CLIP, ROUTING (.50 ID)
3	03278100	1	HOSE, .25 LOW PERM FUEL-27" LG.
4	03278800	2	CLAMP, FUEL LINE
5	04850000	1	PAD, RBR 1.0"X3.0" W/ADHESIVE
6	05024151	1	BRKT, FUEL TANK HOLD DOWN (BLACK)
7	05167451	1	GUARD, TRANSAXLE FAN LH (BLACK)
8	06200305	1	BTL,RHSSN .250-20 X 0.5 G5 ZCC
9	06500821	1	NUT, FLG-CTR LK .250-20 GR5 ZC120
10	07400122	1	SCR-TAP .25-20X.50 HWH ZCC
11	07400129	1	SCR-TAP .38-16X.75 HWH ZCC
12	09190300	1	CAP, FUEL - 3.50 RATCHET INLET VENT

# CONTROLS

## Model All

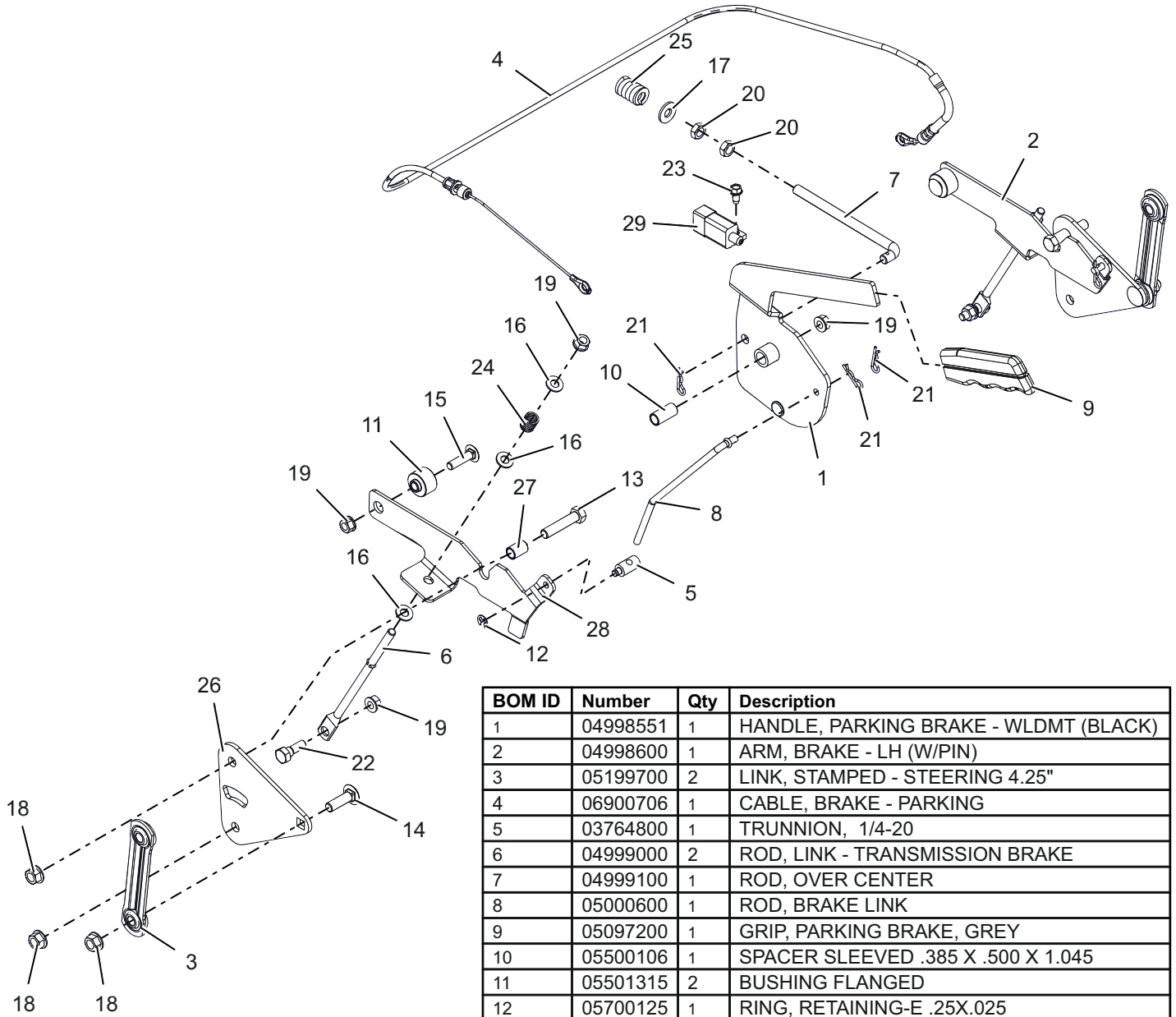
BOM ID	Number	Qty	Description
1	05243951	1	WLDMT, STEERING RH (BLACK)
2	05244051	1	WLDMT, STEERING -LH (BLACK)
3	05261851	1	WLDMT, CONTROL HANDLE-LH (BLACK)
4	05262151	1	WLDMT, CONTROL HANDLE-RH (BLACK)
5	00325400	2	WAVE WASHER .531X.781X.125 FH
6	03652200	2	STUD-BALL
7	04097100	2	STUD, BALL THREADED
8	04413600	2	SPACER SLEEVED STEERING ARM
9	05068751	2	BRKT, ADJ UPPER CONTROL ARM
10	05120459	1	BRKT, STEERING ARM MOUNTING -LH (ORANGE)
11	05120559	1	BRKT, STEERING ARM MOUNTING-RH (ORANGE)
12	05141051	1	GUARD, FRAME RAIL BELT-RH (BLACK)
13	05142751	1	GUARD, FRAME BELT GUARD LH (BLACK)
14	05368600	2	GRIP, HANDLEBAR ARIENS
15	05501001	4	BSHG, FLANGE .500X.750X.750X.125
16	05501223	2	BSHG, ECCENTRIC .328 X .750 X 1.625
17	05501517	4	BSHG, FLANGED .762 X 1.48 X .44 IGLIDER
18	05901809	6	BLT, HEX 0.375-16X1.75 GR5 ZCC
19	05901826	2	SCR, SKH .312-18X1.25 GR8 ZC120
20	06200315	4	BLT,RHSSN .375-16 X 2.5 G5 ZCC
21	06500822	10	NUT, FLG-TOP LK .375-16 GRF ZC120
22	06500840	4	NUT, FLG-CTR LK .312-18 GR5 ZCC
23	06500909	2	NUT, JAM .312-18 GR5 ZCC
24	07400127	6	SCR-TAP .312-18X.75 HWH ZCC
25	09689700	2	DAMPER, STEERING





# PARKING BRAKE

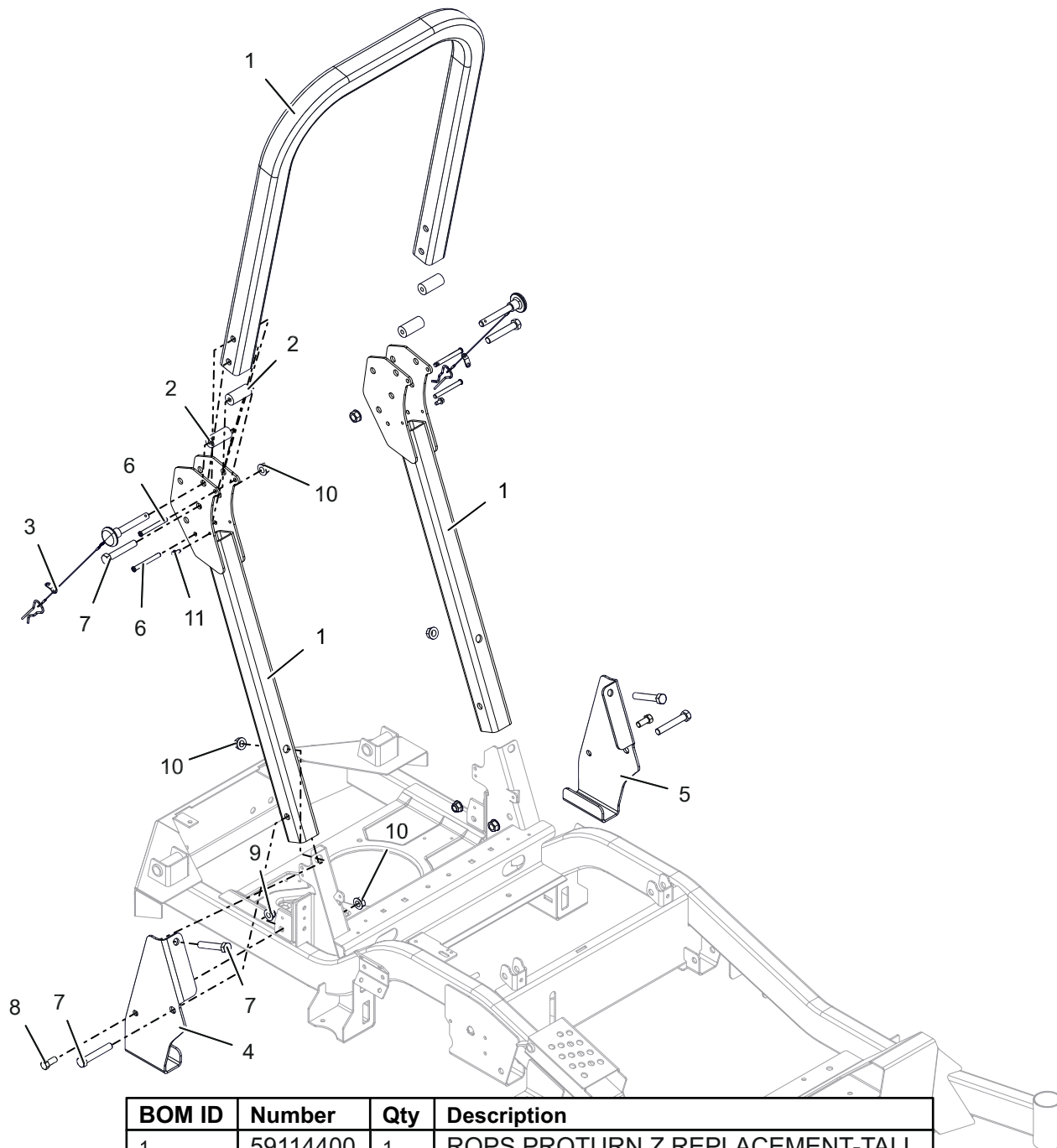
## Model All



BOM ID	Number	Qty	Description
1	04998551	1	HANDLE, PARKING BRAKE - WLDMT (BLACK)
2	04998600	1	ARM, BRAKE - LH (W/PIN)
3	05199700	2	LINK, STAMPED - STEERING 4.25"
4	06900706	1	CABLE, BRAKE - PARKING
5	03764800	1	TRUNNION, 1/4-20
6	04999000	2	ROD, LINK - TRANSMISSION BRAKE
7	04999100	1	ROD, OVER CENTER
8	05000600	1	ROD, BRAKE LINK
9	05097200	1	GRIP, PARKING BRAKE, GREY
10	05500106	1	SPACER SLEEVED .385 X .500 X 1.045
11	05501315	2	BUSHING FLANGED
12	05700125	1	RING, RETAINING-E .25X.025
13	05901809	2	BLT, HEX 0.375-16X1.75 GR5 ZCC
14	06200236	2	BLT,RHSSN .375-16 X 1.25 G5 ZCC
15	06200310	2	BLT,RHSSN .313-18 X 1.25 G5 ZCC
16	06401017	6	WSHR-FL-STL 0.344X0.688X0.065 ZC120
17	06401023	1	WSHR-FL-STL 0.375X0.875X0.083 ZC120
18	06500822	6	NUT, FLG-TOP LK .375-16 GRF ZC120
19	06500904	7	NUT, FLG-TOP LK .312-18 GR5 ZCC
20	06500910	2	NUT-JAM .375-16 GR2 ZCC
21	06700222	4	PIN, HAIR #213 .08X1.19 ZCC
22	07001734	2	BLT, SHLDR .38X.25 -.31-18X.75THD
23	07400122	1	SCR-TAP .25-20X.50 HWH ZCC
24	08300028	2	SPRG, COMPRESSION
25	08320900	1	SPRG, COMPRESSION
26	09191051	2	PLATE, TRANSAXLE (BLACK)
27	09374800	2	SPACER SLV .385X.500X.718
28	09389500	1	ARM, BRAKE - RH
29	09675800	1	SWITCH, BRAKE NO-NO-POST AND HOLE

# ROPS

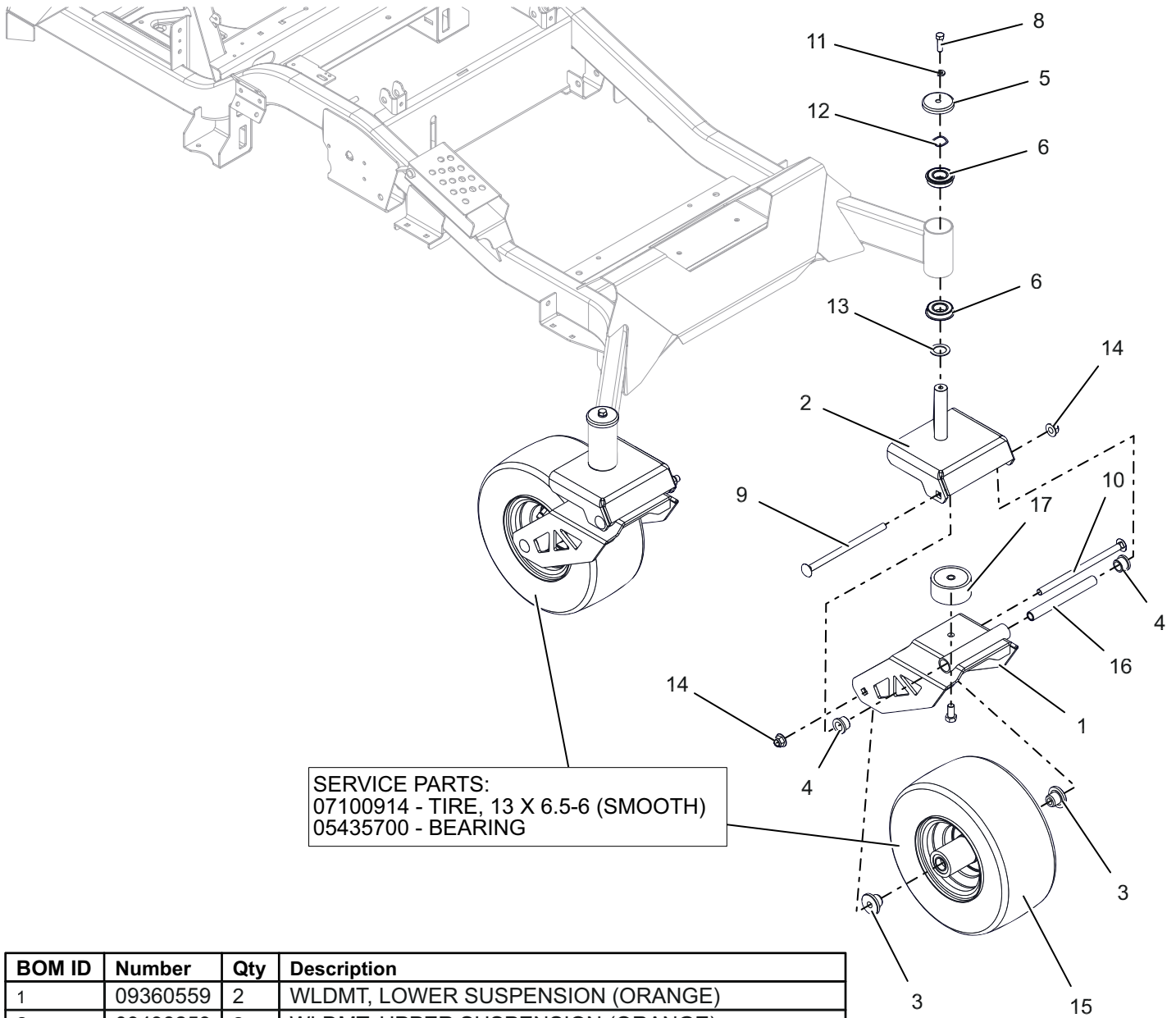
## Model All



BOM ID	Number	Qty	Description
1	59114400	1	ROPS,PROTURN Z REPLACEMENT-TALL
2	04884200	4	BUMPER, ROPS ANTI-VIBRATION
3	04898200	2	PIN, ROPS W/LANYARD
4	05116451	1	BRKT, SUPPORT ROPS-RH (BLACK)
5	05116551	1	BRKT, SUPPORT ROPS-LH (BLACK)
6	07001826	4	PIN, SLIC .312 X 2.57
7	05901737	6	BLT, HEX 0.5-13X3 GR5 ZCC
8	05901913	2	BLT, HEX 0.4375-14X1 GR5 ZCC
9	06500811	2	NUT, LK-NYL-FLG .44-14 GR5 ZC120
10	06500902	6	NUT, FLG-CTR LK .500-13 GF ZCC
11	07400122	2	SCR-TAP .25-20X.50 HWH ZCC

# FRONT CASTER WHEELS

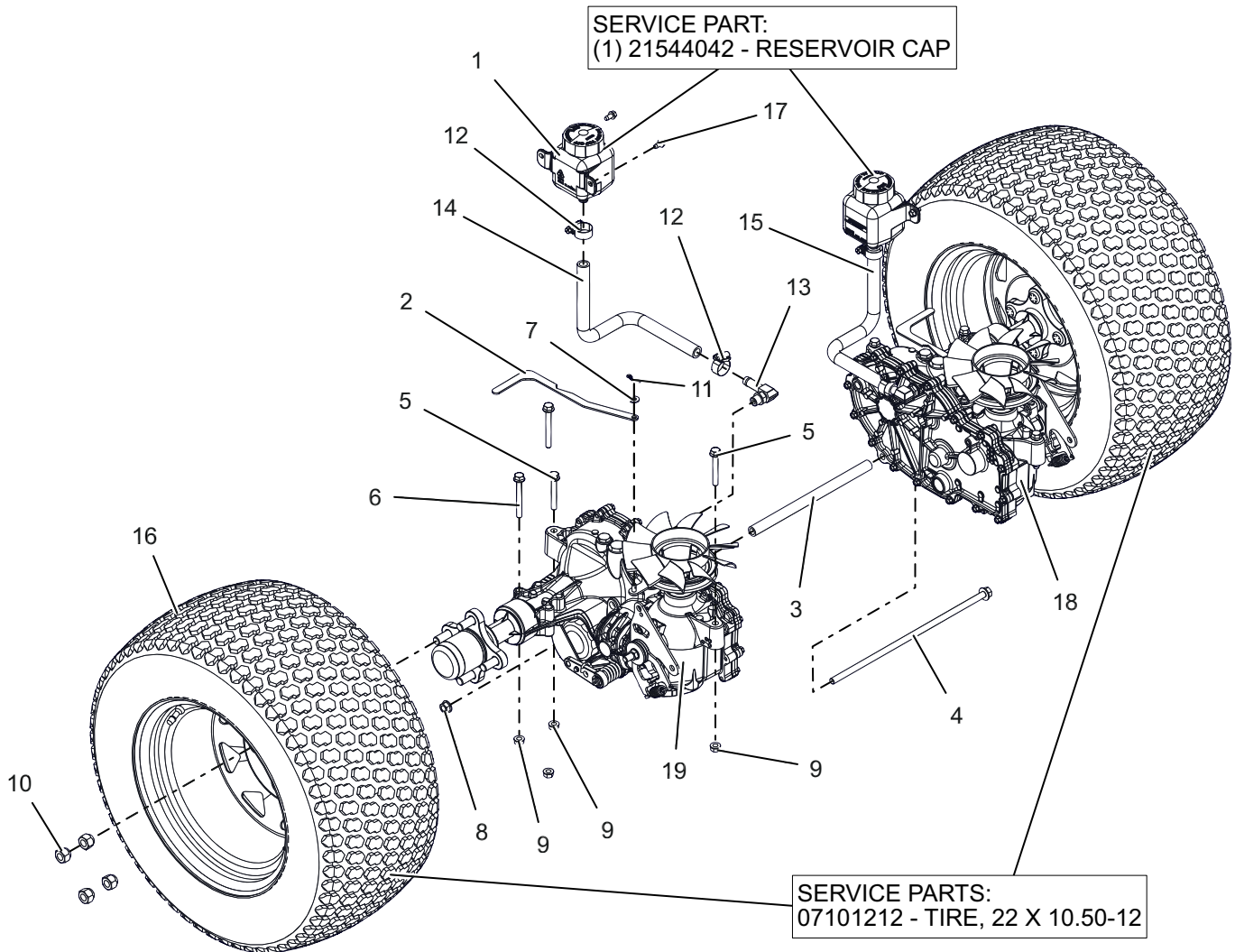
Model All



BOM ID	Number	Qty	Description
1	09360559	2	WLDMT, LOWER SUSPENSION (ORANGE)
2	09498259	2	WLDMT, UPPER SUSPENSION (ORANGE)
3	00675300	4	SPACER FLANGED SPACER, FRONT WHEEL
4	03985500	4	BUSHING, FLANGE
5	05198400	2	SHIELD, AXLE BEARING
6	05400728	4	BEARING, BALL -2.000 OD X 1.000 ID X .5625 W/RING
7	05901715	2	BLT, HEX 0.5-13X1 GR5 ZC120
8	05901724	2	BLT, HEX 0.375-16X1.25 GR5 ZC120
9	06200321	2	BLT,RHSN .500-13 X 8.5 G5 ZCC
10	06200510	2	BOLT, RHNS .50-13X9.00 G5 ZCC NS
11	06300120	2	WSHR,LK-HVY 0.377 X 0.115 ZCC
12	06401030	2	WASHER, WAVE
13	06416600	2	WSHR, HRD THRS 1.007X1.542X.062
14	06500810	4	NUT, LK-NYL-FLG .50-13 GR5 ZC120
15	07101226	2	ASSM TIRE/WHEEL, 13 X 6.50-6
16	09361100	2	ROD, FORK PIVOT
17	09361200	2	SPCR, RUBBER SUSPENSION

# REAR TIRES AND TRANSAXLES – 52"

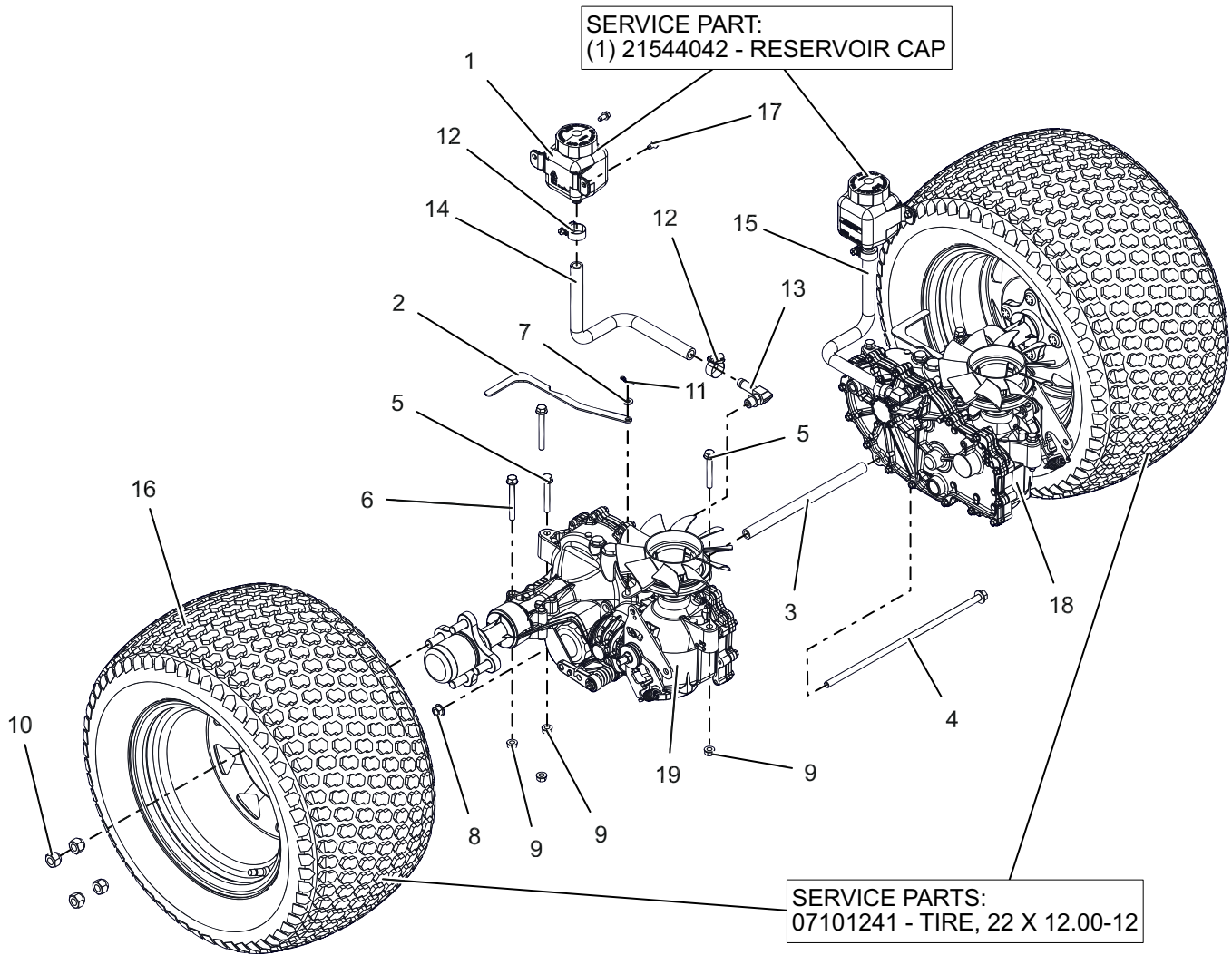
Model 991320, 321



BOM ID	Number	Qty	Description
1	02970200	2	TANK, EXPANSION
2	05076751	2	BRKT, VALVE DUMP
3	05196451	1	SPCR, TRANSAXLE .406 ID X .630 OD X 9.95LG (BLACK)
4	05901903	1	BLT, HEX-FLG 0.375-16X13 GR5 ZC120
5	05901910	4	BLT, HEX-FLG 0.312-18X2.25 GR5 ZCC
6	05901911	4	BLT, HEX-FLG 0.312-18X2.75 GR5 ZCC
7	06401001	2	WSHR-FL-STL 0.281X0.625X0.065 ZC120
8	06500822	1	NUT, FLG-TOP LK .375-16 GRF ZC120
9	06500840	8	NUT, FLG-CTR LK .312-18 GR5 ZCC
10	06500926	8	NUT, WHEEL .500-20 ZCC
11	06700223	2	PIN, HAIR #225 .072X1.09
12	06923500	4	CLAMP, HOSE - #8 SAE
13	07001528	2	FITTING, HYD (90 DEG)
14	07001803	1	HOSE, EXPANSION - HD RH
15	07001804	1	HOSE, EXPANSION TANK -HD LH
16	07101211	2	ASSM TIRE/WHEEL, 22 X 10.50 - 12
17	07400122	4	SCR-TAP .25-20X.50 HWH ZCC
18	09360900	1	TRANSAXLE, ZT3200 - LH
19	09361000	1	TRANSAXLE, ZT3200 - RH

# REAR TIRES AND TRANSAXLES – 60"

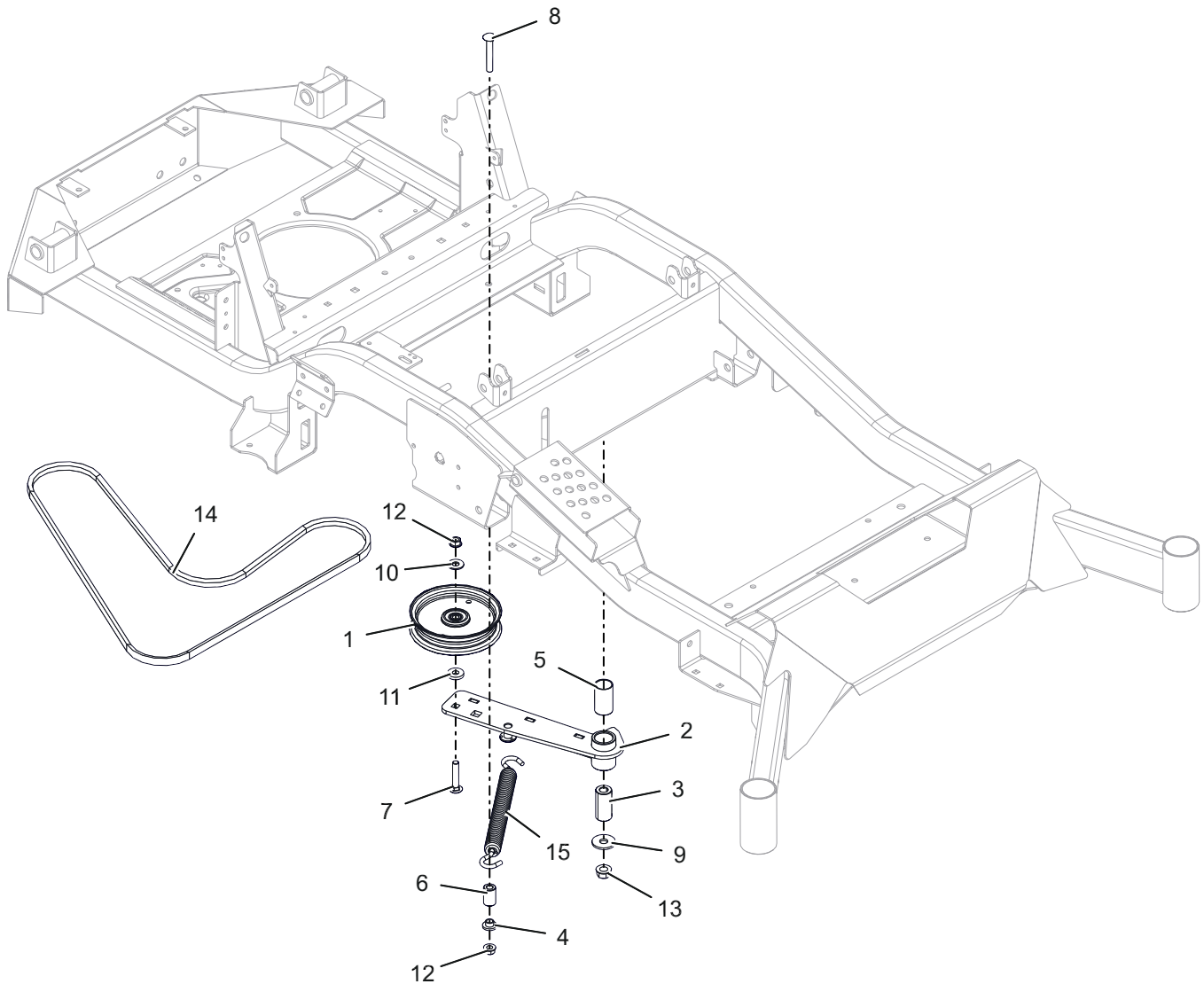
Model 991322, 323



BOM ID	Number	Qty	Description
1	02970200	2	TANK, EXPANSION
2	05076751	2	BRKT, VALVE DUMP
3	05196451	1	SPCR, TRANSAXLE .406 ID X .630 OD X 9.95LG (BLACK)
4	05901903	1	BLT, HEX-FLG 0.375-16X13 GR5 ZC120
5	05901910	4	BLT, HEX-FLG 0.312-18X2.25 GR5 ZCC
6	05901911	4	BLT, HEX-FLG 0.312-18X2.75 GR5 ZCC
7	06401001	2	WSHR-FL-STL 0.281X0.625X0.065 ZC120
8	06500822	1	NUT, FLG-TOP LK .375-16 GRF ZC120
9	06500840	8	NUT, FLG-CTR LK .312-18 GR5 ZCC
10	06500926	8	NUT, WHEEL .500-20 ZCC
11	06700223	2	PIN, HAIR #225 .072X1.09
12	06923500	4	CLAMP, HOSE - #8 SAE
13	07001528	2	FITTING, HYD (90 DEG)
14	07001803	1	HOSE, EXPANSION - HD RH
15	07001804	1	HOSE, EXPANSION TANK -HD LH
16	07101227	2	ASSM TIRE/WHEEL, 22 X 12.00 - 12
17	07400122	4	SCR-TAP .25-20X.50 HWH ZCC
18	09360900	1	TRANSAXLE, ZT3200 - LH
19	09361000	1	TRANSAXLE, ZT3200 - RH

# TRANSAXLE DRIVE

Model All

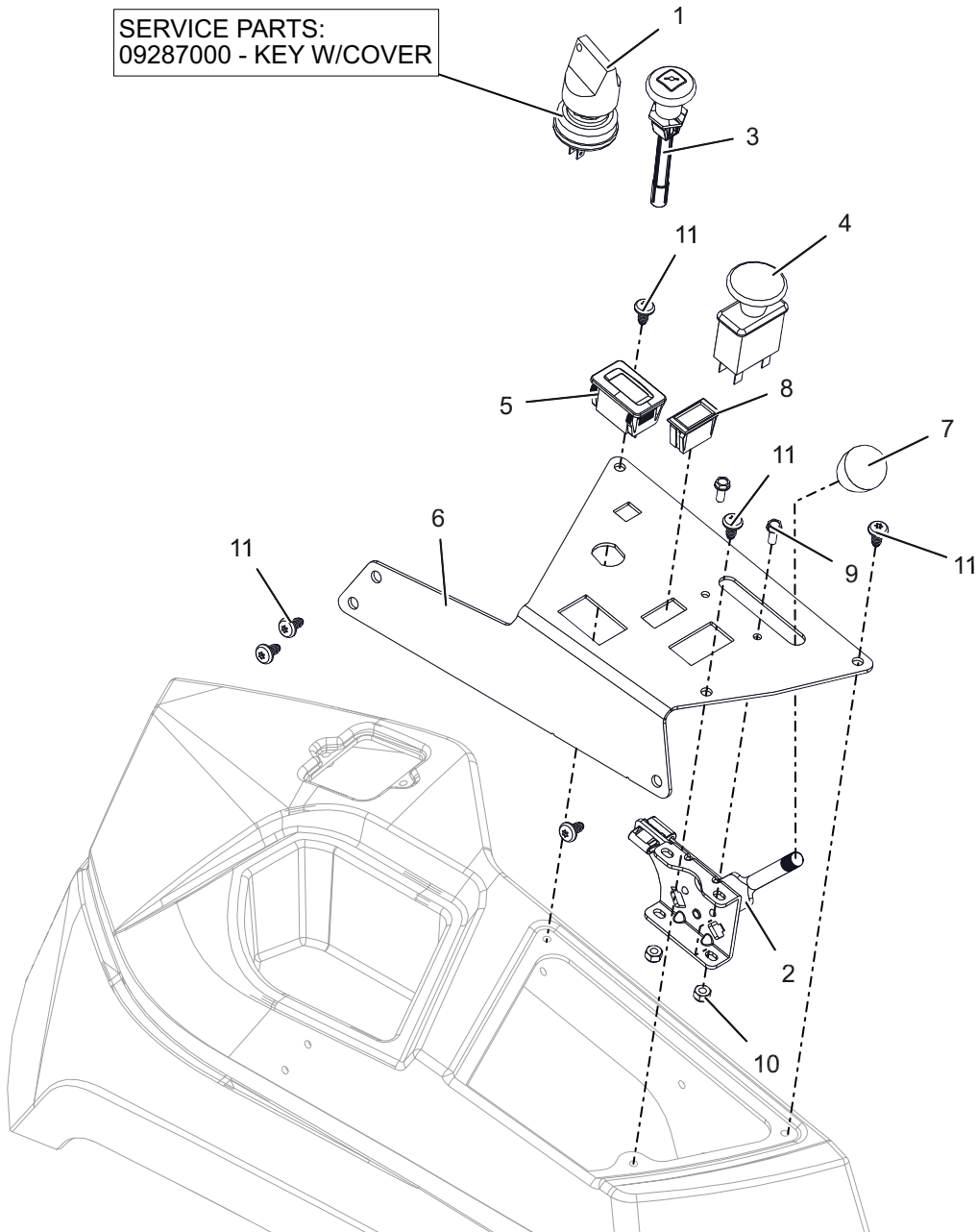


BOM ID	Number	Qty	Description
1	07351200	1	IDLER, FLAT - .500 X .75
2	59116700	1	ASM, HYDRO IDLER ARM W/ BUSHING
3	01581700	1	SPACER SLEEVED .502X.997X2.03
4	05500435	1	BUSHING FLANGED FLG .385 X .500 X .875 X .406
5	05501234	1	BSHG, 1.00x1.125x1.9375
6	05501308	1	BUSHING SLEEVED .380 X .750 X 1.190
7	06200314	1	BTL,RHSN .375-16 X 2 G5 ZCC
8	06200315	1	BTL,RHSSN .375-16 X 2.5 G5 ZCC
9	06401022	1	WSHR-FL-STL 0.511X1.44X0.125 ZCC
10	06401008	1	WSHR-FL-STL 0.438X1X0.083 ZC120
11	06401108	1	WSHR-FL-STL 0.406X1X0.188 ZCC
12	06500822	2	NUT, FLG-TOP LK .375-16 GRF ZC120
13	06500907	1	NUT, FLG-TOP LK .500-13 GF ZCC
14	07225600	1	V-BELT, 4L-WRAPPED
15	08300711	1	SPRG, EXTENSION - SWIVEL

# CONTROL PANEL

Model All

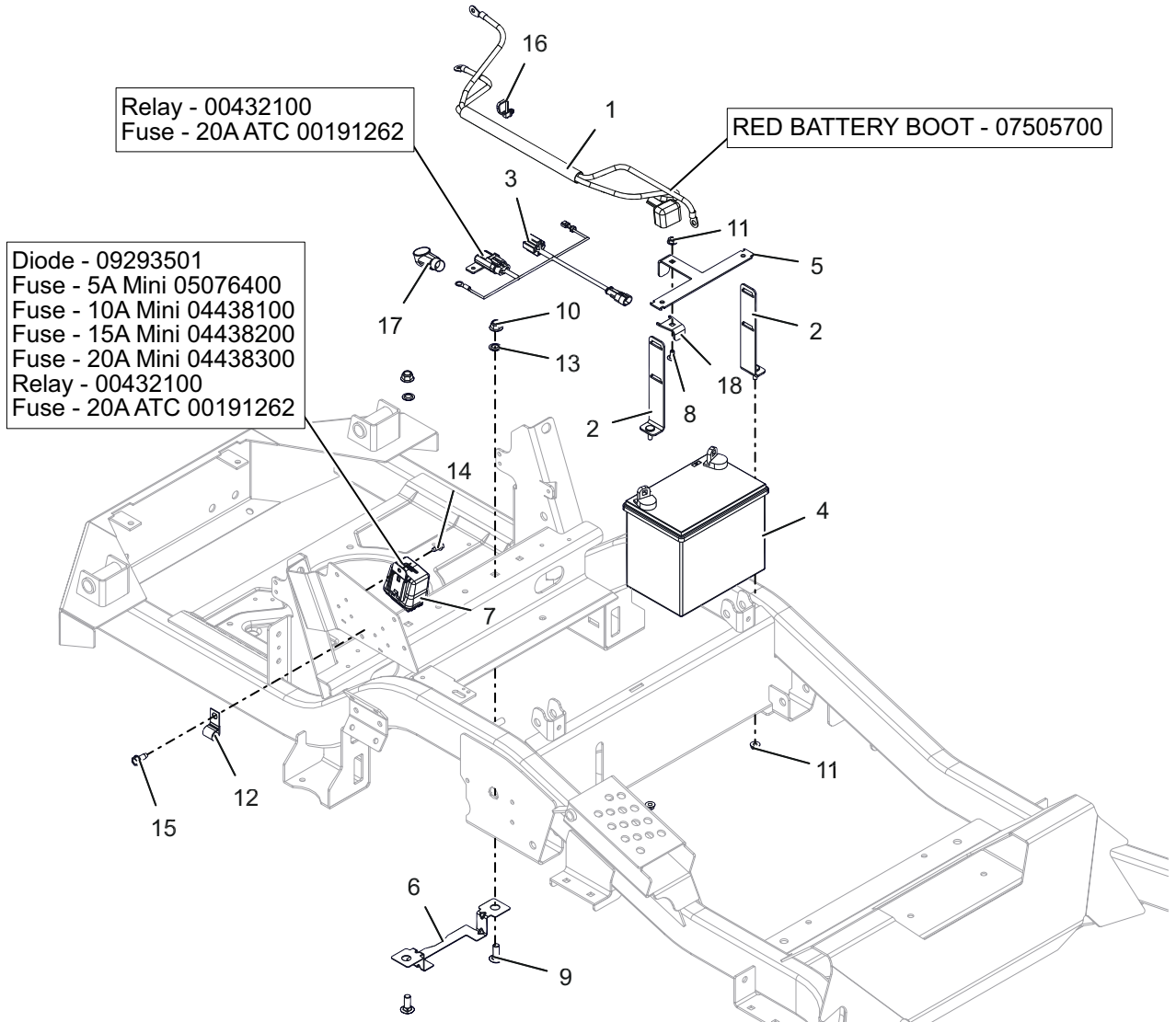
SERVICE PARTS:  
09287000 - KEY W/COVER



BOM ID	Number	Qty	Description
1	04331600	1	SWITCH, IGNITION
2	06900619	1	CABLE, PRO THROTTLE CONTROL
3	06900621	1	CABLE, CHOKE
4	01545600	1	SWITCH, CLUTCH
5	05254800	1	HOUR METER
6	05108759	1	PLATE, APEX CONTROL PANEL (ORANGE)
7	07500132	1	KNOB, CONTROL BLACK .38-16X.50
8	09003300	1	SWITCH, BLANK
9	05901825	2	SCR-MCH 10-24X.50 HWH ZCC
10	06500915	2	NUT, LK-NYL #10-24 GR5 ZC120
11	07400123	6	SCR-TAP .25-15X.50 PLASTITE BLZC

# ELECTRICAL

## Model All

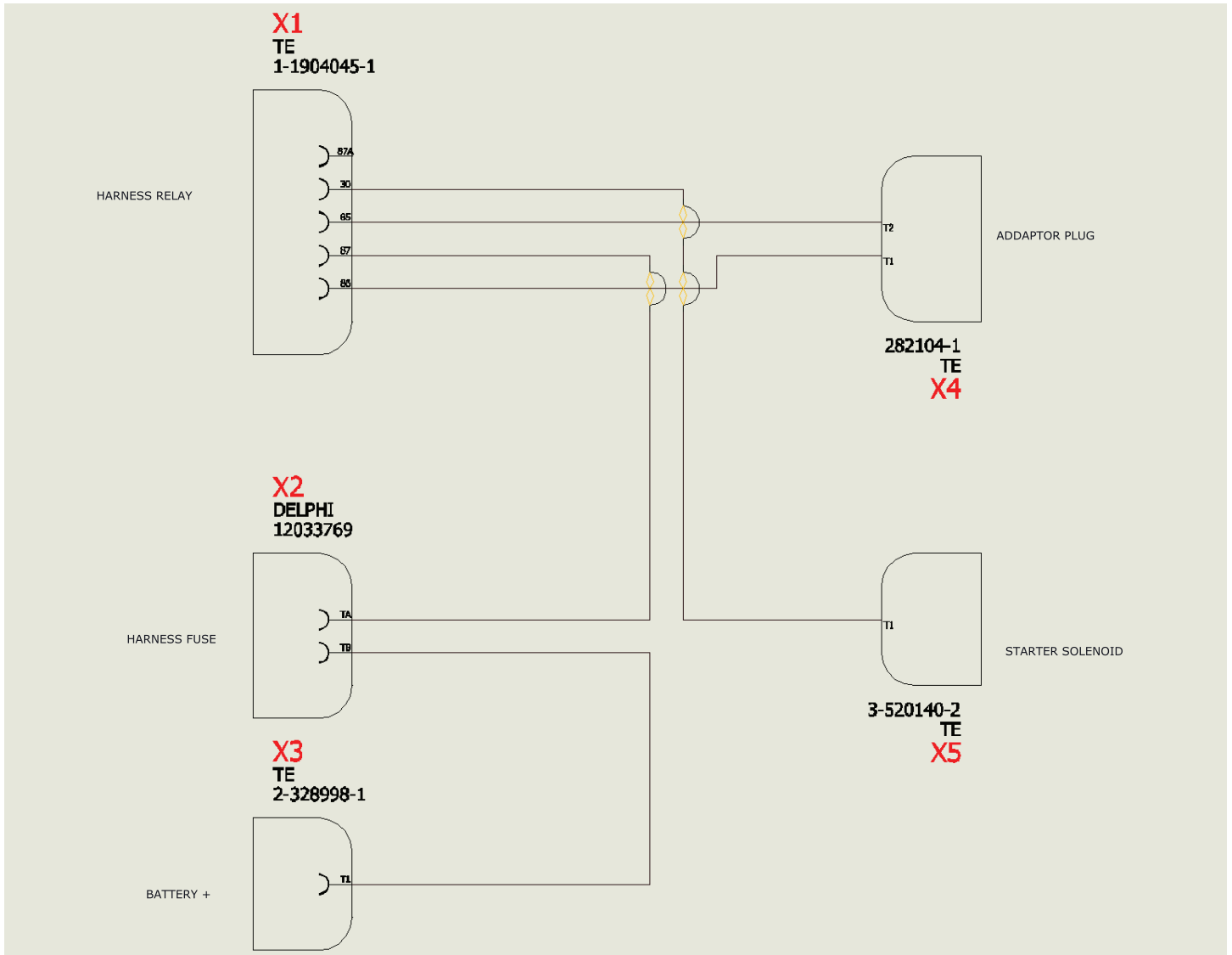


BOM ID	Number	Qty	Description
1	05074100	1	HARNESS, BATTERY
2	05107451	2	WLDMT, BATTERY MOUNT HOLD DOWN (BLACK)
3	05189800	1	HARNESS, STARTER ADAPTER
4	01554800	1	BATTERY, 300 CCA 10U1L
5	05031551	1	BRKT, BATTERY TIE DOWN (BLACK)
6	05111451	1	GUARD, ELEC HARNESS (BLACK)
7	05155300	1	HARNESS, WIRE
8	06200306	1	BTL,RHSN .250-20 X 0.5 G5 ZCC
9	06200313	2	BTL,RHSN .375-16 X 1 G5 ZCC
10	06500726	2	NUT, LK-NYL-FLG .38-16 GR5 ZC120
11	06500903	3	NUT, FLG-TOP LK .250-20 GR5 ZC120
12	06916000	1	J-CLAMP
13	07009900	2	NUT, PUSH .38 DIA. PAL ZINC
14	07400122	1	SCR-TAP .25-20X.50 HWH ZCC
15	07400127	1	SCR-TAP .312-18X.75 HWH ZCC
16	07500040	1	CABLE, TIE W/TREE (.25 HOLE)
17	07500401	1	BOOT, .65 ID POS
18	09425700	1	BRKT, BATTERY HOLD



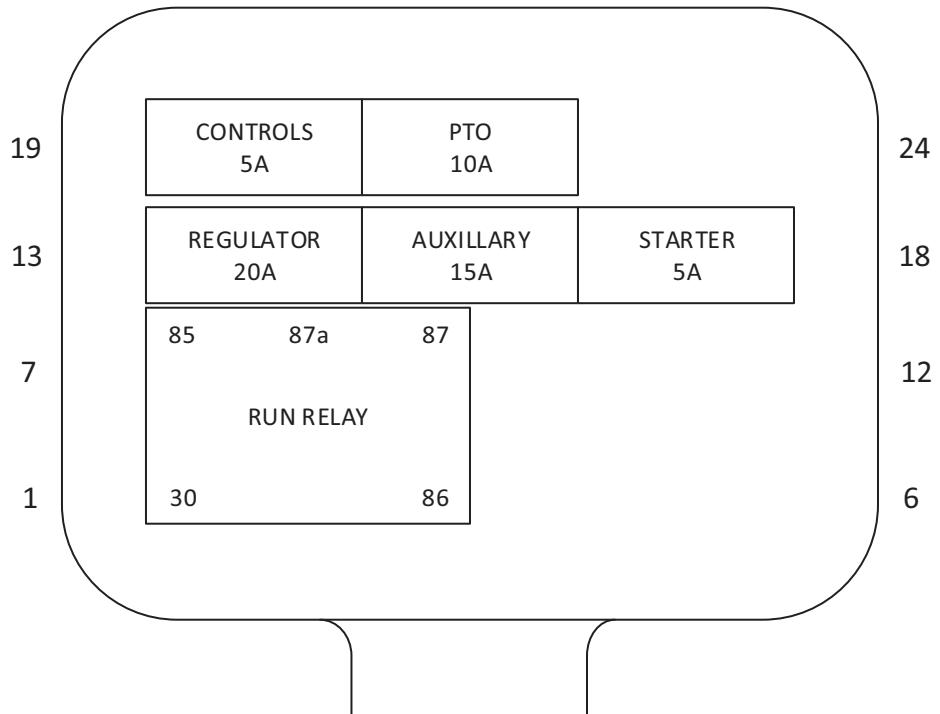
# WIRING DIAGRAM – ENGINE JUMPER HARNESS

Model All



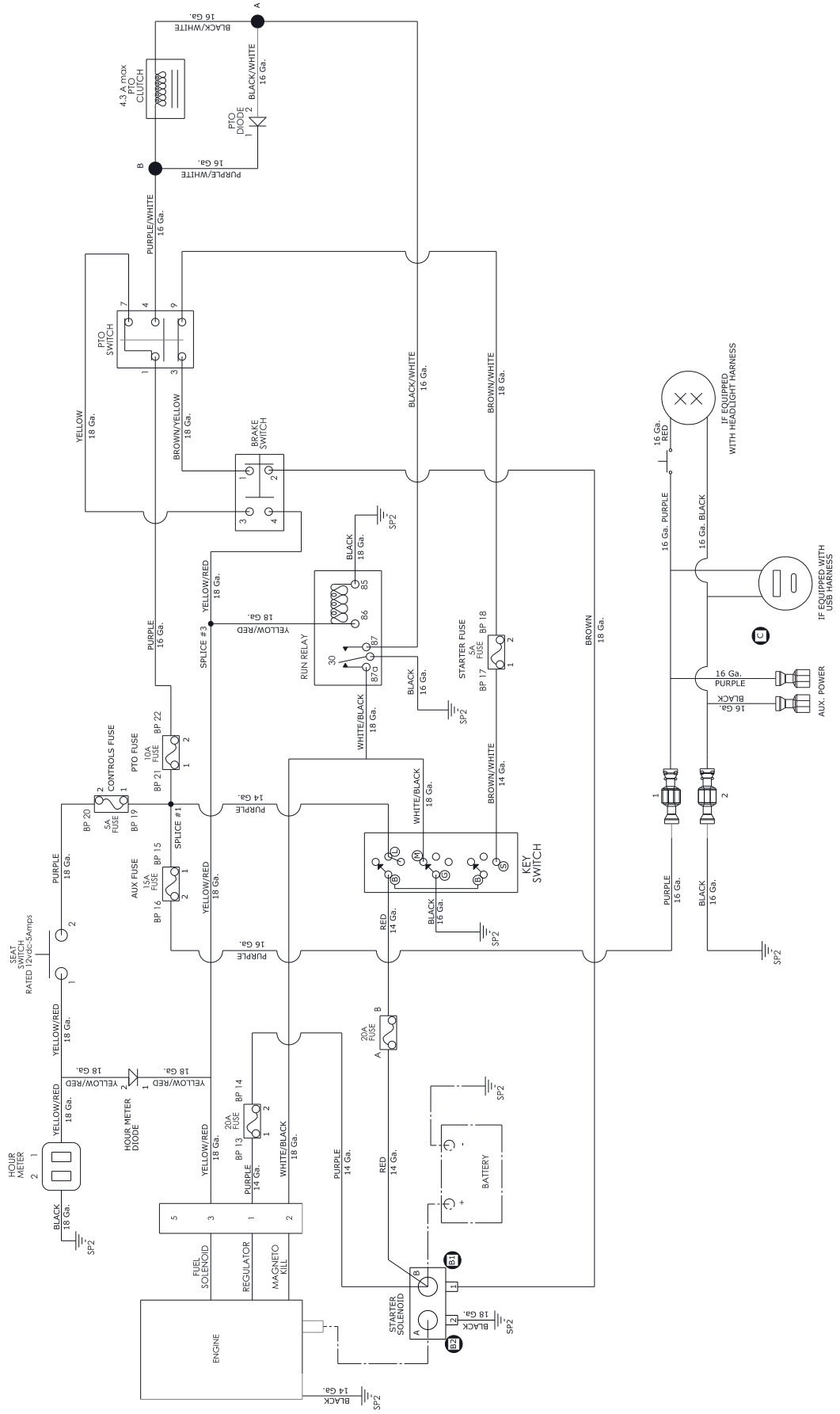
# ELECTRICAL – FUSE BOX LAYOUT

Model All



# WIRING DIAGRAM – MAIN HARNESS

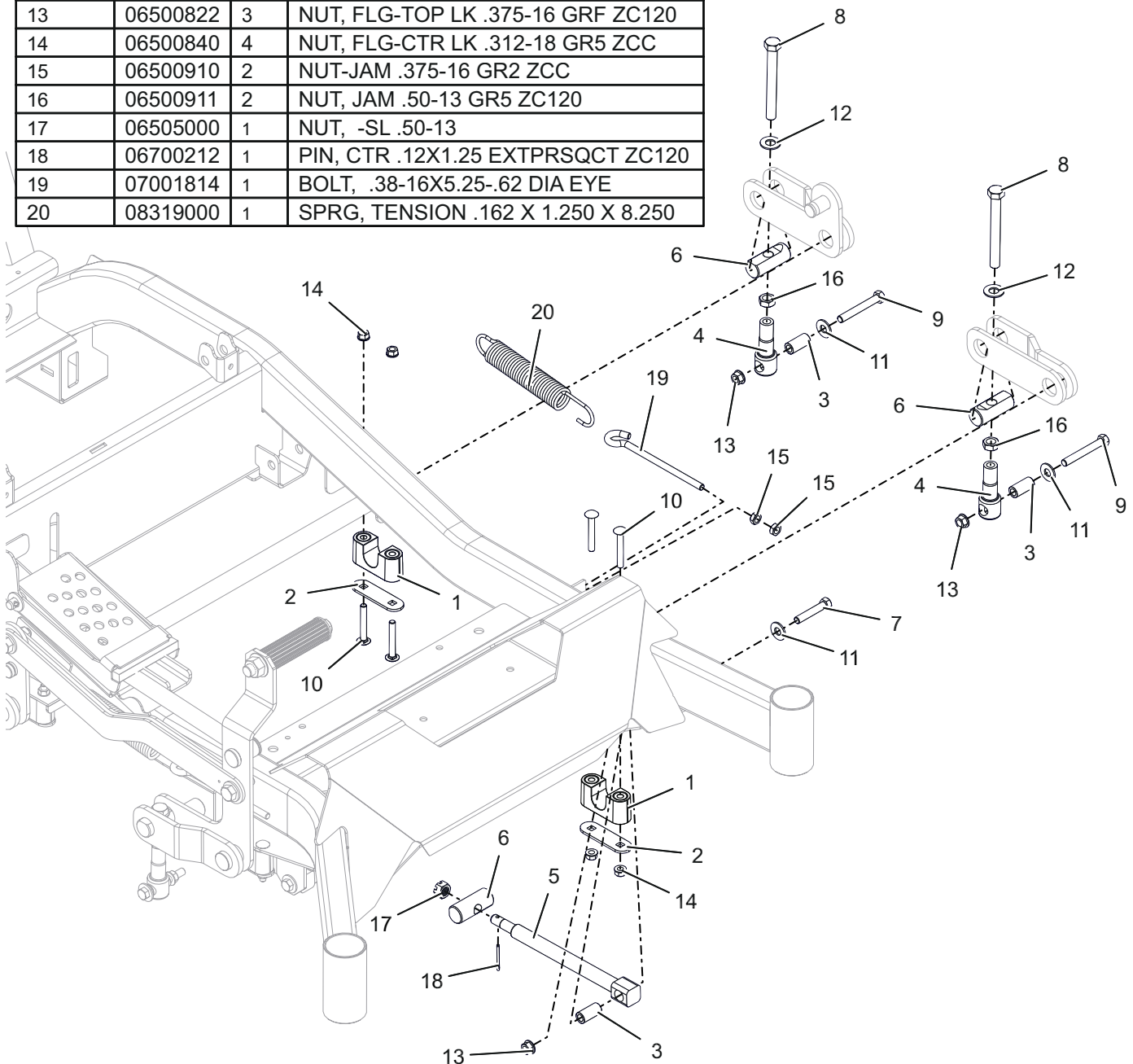
Model All



# DECK LIFT – LH – 52"

Model 991320, 321

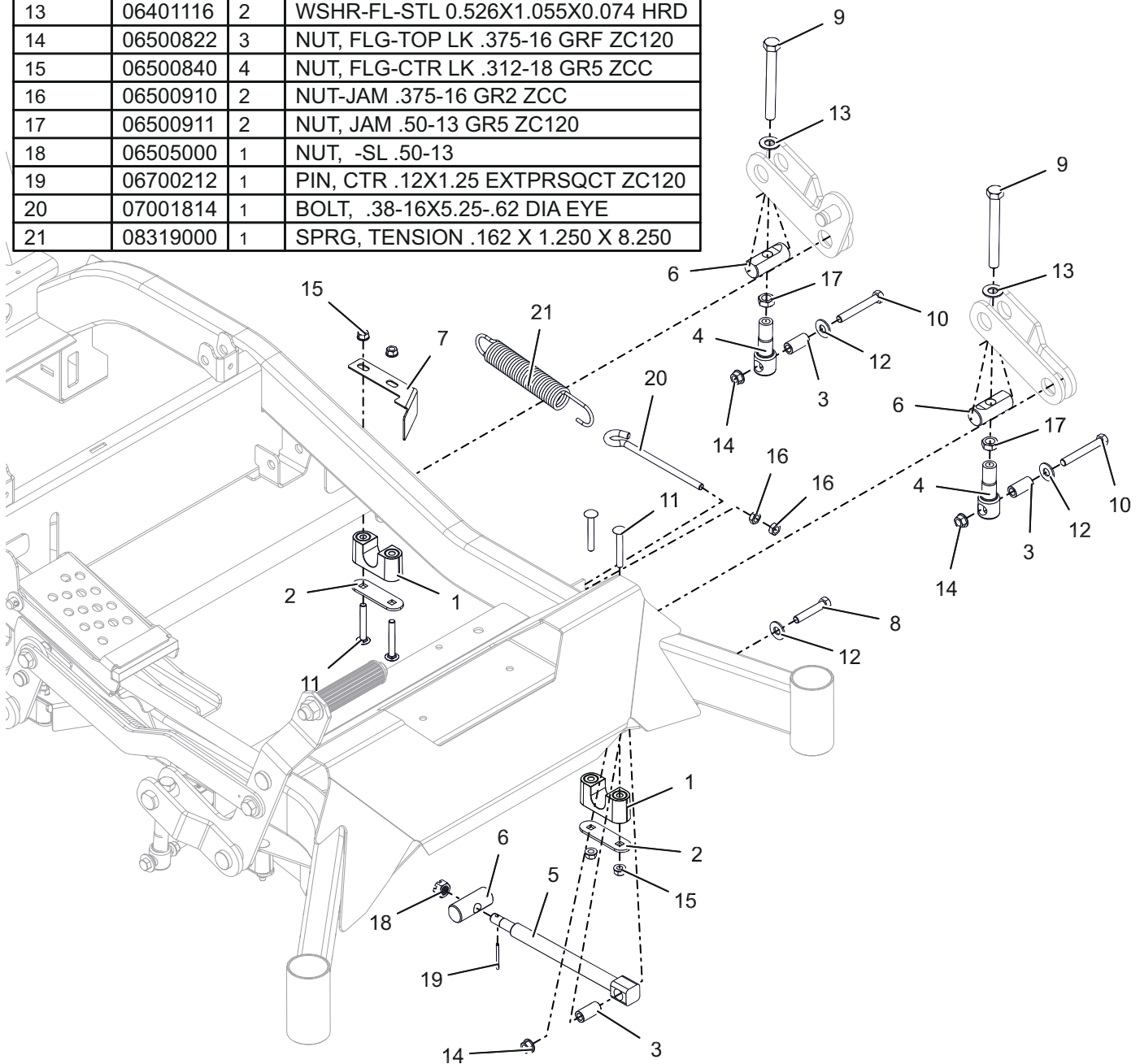
BOM ID	Number	Qty	Description
1	07500414	2	ASM, BSHG
2	04766551	2	PLATE, BEARING SUPPORT
3	04895200	3	SPCR, DECK LEVELING
4	05081400	2	LINK, DECK LIFT, FORMED
5	05126700	1	DRAG, LINK
6	05149500	3	PIN, DECK LIFT
7	05901718	1	BLT, HEX 0.375-16X2 GR5 ZC120
8	05901736	2	BLT, HEX 0.5-13X4.5F GR8 ZCC
9	05901813	2	BLT, HEX 0.375-16X2.75 GR8 ZCC
10	06200311	4	BTL,RHSSN .313-18 X 2.25 G5 ZCC
11	06401008	3	WSHR-FL-STL 0.438X1X0.083 ZC120
12	06401116	2	WSHR-FL-STL 0.526X1.055X0.074 HRD
13	06500822	3	NUT, FLG-TOP LK .375-16 GRF ZC120
14	06500840	4	NUT, FLG-CTR LK .312-18 GR5 ZCC
15	06500910	2	NUT-JAM .375-16 GR2 ZCC
16	06500911	2	NUT, JAM .50-13 GR5 ZC120
17	06505000	1	NUT, -SL .50-13
18	06700212	1	PIN, CTR .12X1.25 EXTPRSQCT ZC120
19	07001814	1	BOLT, .38-16X5.25-.62 DIA EYE
20	08319000	1	SPRG, TENSION .162 X 1.250 X 8.250



# DECK LIFT – LH – 60"

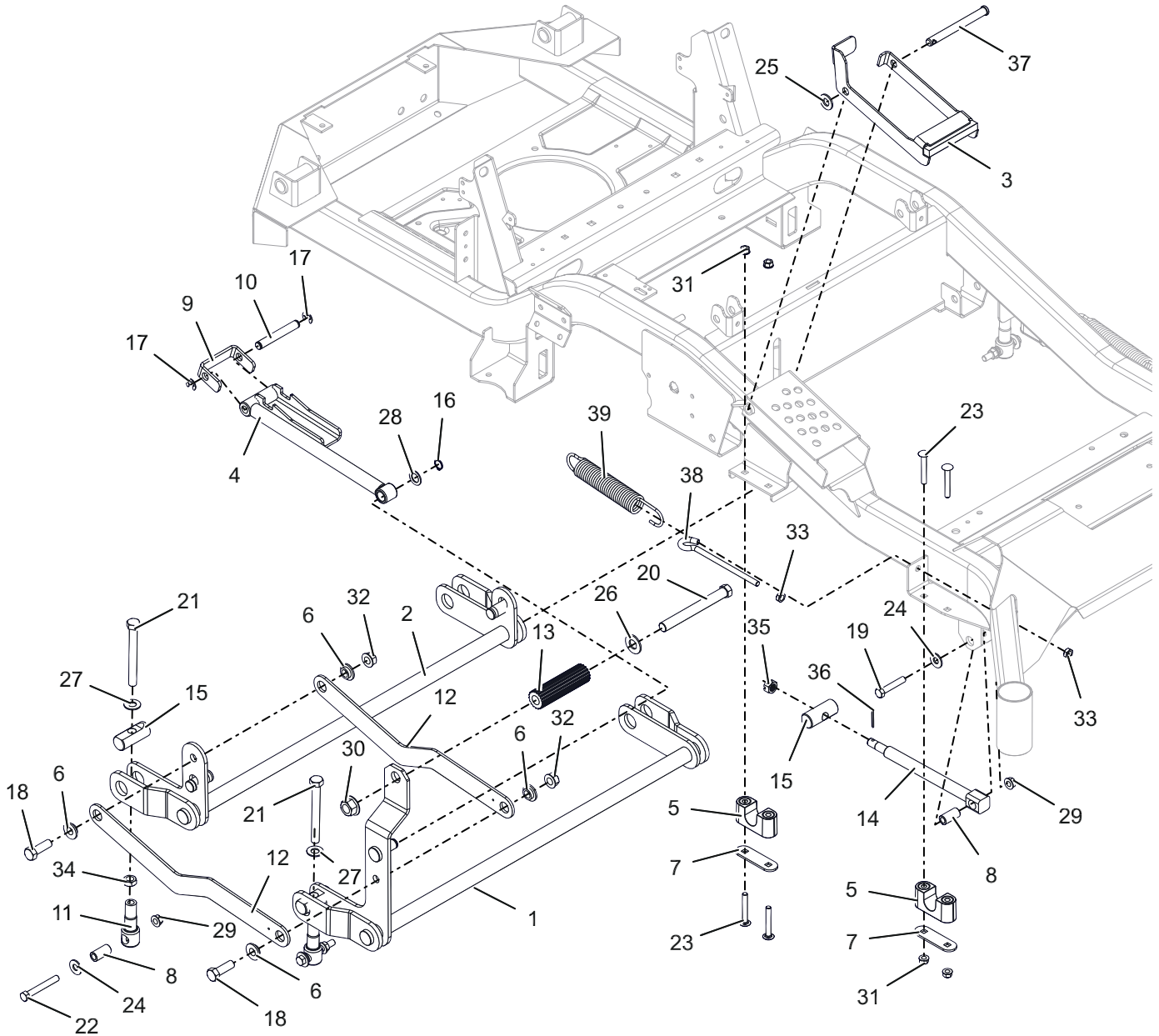
Model 991322, 323

BOM ID	Number	Qty	Description
1	07500414	2	ASM, BSHG
2	04766551	2	PLATE, BEARING SUPPORT
3	04895200	3	SPCR, DECK LEVELING
4	05081400	2	LINK, DECK LIFT, FORMED
5	05126700	1	DRAG, LINK
6	05149500	3	PIN, DECK LIFT
7	05251351	1	GUARD, STOP CE 60 (BLACK)
8	05901718	1	BLT, HEX 0.375-16X2 GR5 ZC120
9	05901736	2	BLT, HEX 0.5-13X4.5F GR8 ZCC
10	05901813	2	BLT, HEX 0.375-16X2.75 GR8 ZCC
11	06200311	4	BTL,RHSSN .313-18 X 2.25 G5 ZCC
12	06401008	3	WSHR-FL-STL 0.438X1X0.083 ZC120
13	06401116	2	WSHR-FL-STL 0.526X1.055X0.074 HRD
14	06500822	3	NUT, FLG-TOP LK .375-16 GRF ZC120
15	06500840	4	NUT, FLG-CTR LK .312-18 GR5 ZCC
16	06500910	2	NUT-JAM .375-16 GR2 ZCC
17	06500911	2	NUT, JAM .50-13 GR5 ZC120
18	06505000	1	NUT, -SL .50-13
19	06700212	1	PIN, CTR .12X1.25 EXTPRSQCT ZC120
20	07001814	1	BOLT, .38-16X5.25-.62 DIA EYE
21	08319000	1	SPRG, TENSION .162 X 1.250 X 8.250



# DECK LIFT – RH – 52"

Model 991320, 321

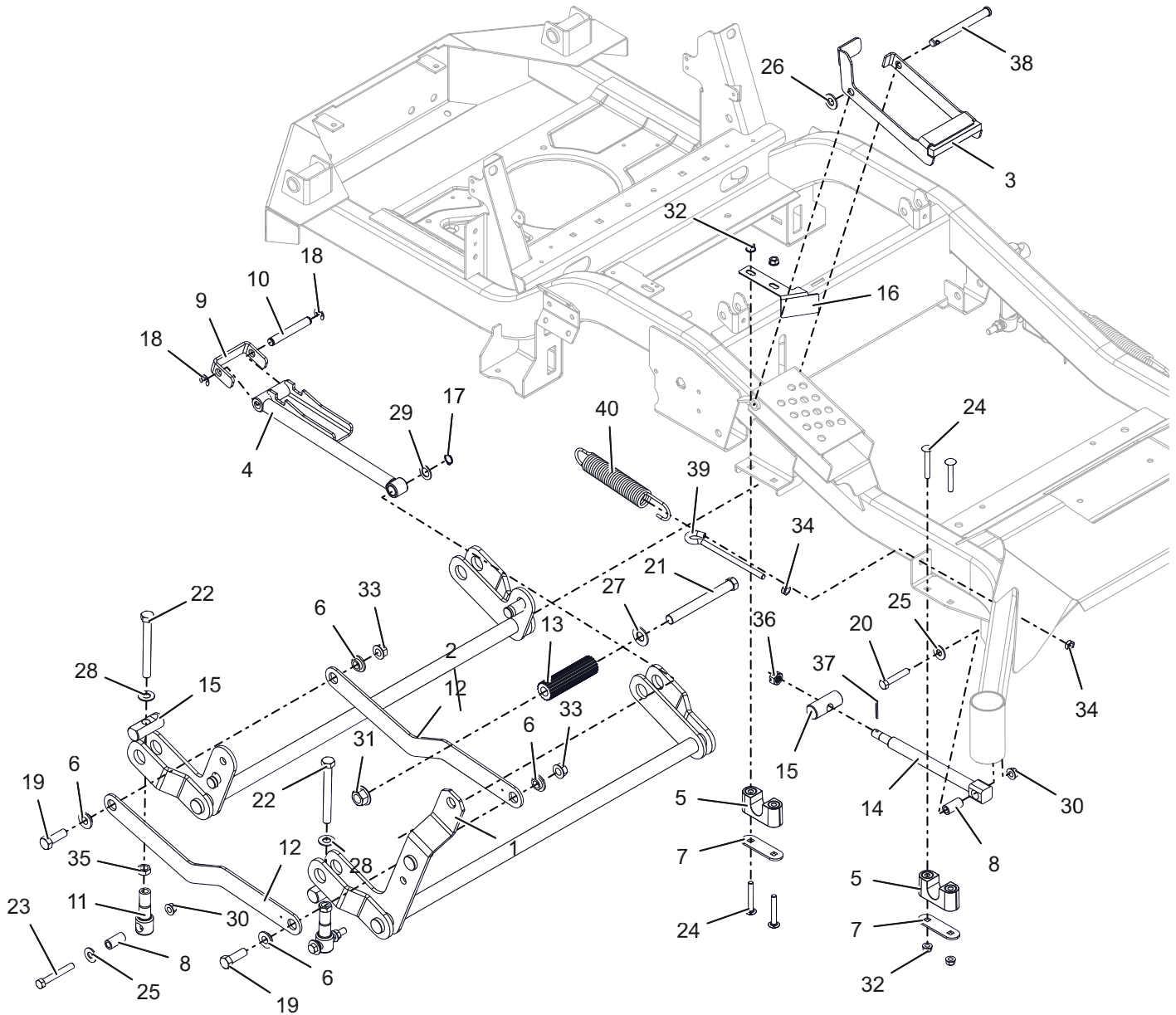


BOM ID	Number	Qty	Description
1	05019659	1	WLDMT, FRONT DECK LIFT PIVOT
2	05019759	1	WLDMT, REAR DECK LIFT PIVOT (ORANGE)
3	05025259	1	WLDMT, HOC TRANSFER LOCK (ORANGE)
4	05186359	1	WLDMT, HOC LIFT ARM (ORANGE)
5	07500414	2	ASM, BSHG
6	03989100	4	BUSHING FLANGED .515X.750X.31X1.12
7	04766551	2	PLATE, BEARING SUPPORT
8	04895200	3	SPCR, DECK LEVELING
9	05077551	1	BRKT, HOC LINE (BLACK)
10	05077700	1	ROD, HOC PIVOT
11	05081400	2	LINK, DECK LIFT, FORMED
12	05083959	2	LINK, DECK
13	05120951	1	ROD, FOOT PEDAL (BLACK)
14	05126700	1	DRAG, LINK
15	05149500	3	PIN, DECK LIFT
16	05709200	1	RG-RTNG-EXT .625x.050
17	05710200	2	RING, RETAINING-E .500X.042
18	05901631	2	BLT, HEX 0.5-13X1.5 GR5 ZC120
19	05901718	1	BLT, HEX 0.375-16X2 GR5 ZC120
20	05901730	1	BLT, HEX 0.625-11X5.5 GR5 ZB500

BOM ID	Number	Qty	Description
21	05901736	2	BLT, HEX 0.5-13X4.5F GR8 ZCC
22	05901813	2	BLT, HEX 0.375-16X2.75 GR8 ZCC
23	06200311	4	BTL,RHSSN .313-18 X 2.25 G5 ZCC
24	06401008	3	WSHR-FL-STL 0.438X1X0.083 ZC120
25	06401015	1	WSHR-FL-STL 0.531X1.062X0.095 ZC120
26	06401039	1	WSHR-FL-STL 0.656X1.312X0.095 RIE5230
27	06401116	2	WSHR-FL-STL 0.526X1.055X0.074 HRD
28	06401117	1	WSHR-FL-STL 0.63X1.005X0.062 ZCC
29	06500822	3	NUT, FLG-TOP LK .375-16 GRF ZC120
30	06500835	1	NUT,FLG-TOP LK .625-11 FBP
31	06500840	4	NUT, FLG-CTR LK .312-18 GR5 ZCC
32	06500907	2	NUT, FLG-TOP LK .500-13 GF ZCC
33	06500910	2	NUT-JAM .375-16 GR2 ZCC
34	06500911	2	NUT, JAM .50-13 GR5 ZC120
35	06505000	1	NUT, -SL .50-13
36	06700212	1	PIN, CTR .12X1.25 EXTPRSQCT ZC120
37	06800201	1	PIN, SLIC-.500X4.97X4.55 -ZC
38	07001814	1	BOLT, .38-16X5.25-.62 DIA EYE
39	08319000	1	SPRG, TENSION .162 X 1.250 X 8.250

# DECK LIFT – RH – 60"

Model 991322, 323

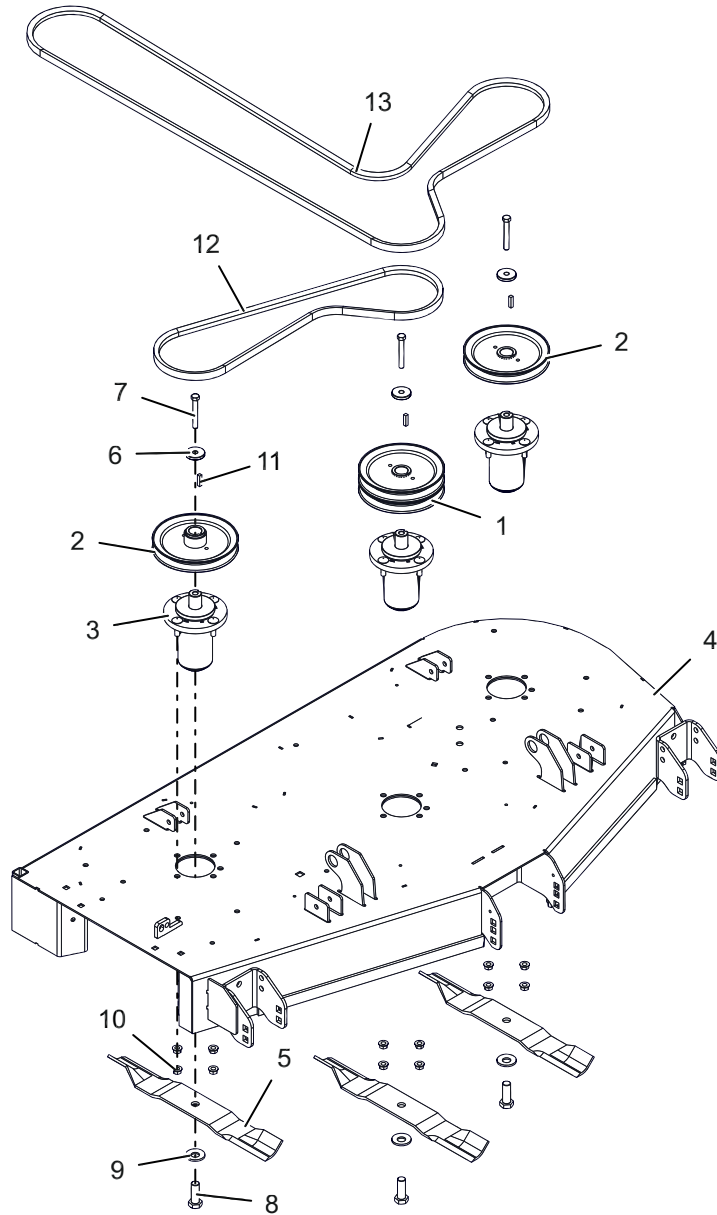


BOM ID	Number	Qty	Description
1	05019659	1	WLDMT, FRONT DECK LIFT PIVOT
2	05019759	1	WLDMT, REAR DECK LIFT PIVOT (ORANGE)
3	05025259	1	WLDMT, HOC TRANSFER LOCK (ORANGE)
4	05186359	1	WLDMT, HOC LIFT ARM (ORANGE)
5	07500414	2	ASM, BSHG
6	03989100	4	BUSHING FLANGED .515X.750X.31X1.12
7	04766551	2	PLATE, BEARING SUPPORT
8	04895200	3	SPCR, DECK LEVELING
9	05077551	1	BRKT, HOC LINE (BLACK)
10	05077700	1	ROD, HOC PIVOT
11	05081400	2	LINK, DECK LIFT, FORMED
12	05083959	2	LINK, DECK
13	05120951	1	ROD, FOOT PEDAL (BLACK)
14	05126700	1	DRAG, LINK
15	05149500	3	PIN, DECK LIFT
16	05250751	1	GUARD, STOP CE 60 (BLACK)
17	05709200	1	RG-RTNG-EXT .625x.050
18	05710200	2	RING, RETAINING-E .500X.042
19	05901631	2	BLT, HEX 0.5-13X1.5 GR5 ZC120
20	05901718	1	BLT, HEX 0.375-16X2 GR5 ZC120
21	05901730	1	BLT, HEX 0.625-11X5.5 GR5 ZB500

BOM ID	Number	Qty	Description
22	05901736	2	BLT, HEX 0.5-13X4.5F GR8 ZCC
23	05901813	2	BLT, HEX 0.375-16X2.75 GR8 ZCC
24	06200311	4	BTL,RHSSN .313-18 X 2.25 G5 ZCC
25	06401008	3	WSHR-FL-STL 0.438X1X0.083 ZC120
26	06401015	1	WSHR-FL-STL 0.531X1.062X0.095 ZC120
27	06401039	1	WSHR-FL-STL 0.656X1.312X0.095 RIE5230
28	06401116	2	WSHR-FL-STL 0.526X1.055X0.074 HRD
29	06401117	1	WSHR-FL-STL 0.63X1.005X0.062 ZCC
30	06500822	3	NUT, FLG-TOP LK .375-16 GRF ZC120
31	06500835	1	NUT,FLG-TOP LK .625-11 FBP
32	06500840	4	NUT, FLG-CTR LK .312-18 GR5 ZCC
33	06500907	2	NUT, FLG-TOP LK .500-13 GF ZCC
34	06500910	2	NUT-JAM .375-16 GR2 ZCC
35	06500911	2	NUT, JAM .50-13 GR5 ZC120
36	06505000	1	NUT, -SL .50-13
37	06700212	1	PIN, CTR .12X1.25 EXTPRSQCT ZC120
38	06800201	1	PIN, SLIC-.500X4.97X4.55 -ZC
39	07001814	1	BOLT, .38-16X5.25-.62 DIA EYE
40	08319000	1	SPRG, TENSION .162 X 1.250 X 8.250

# DECK, BELTS, BLADES, AND SPINDLES – 52" – SD

Model 991320

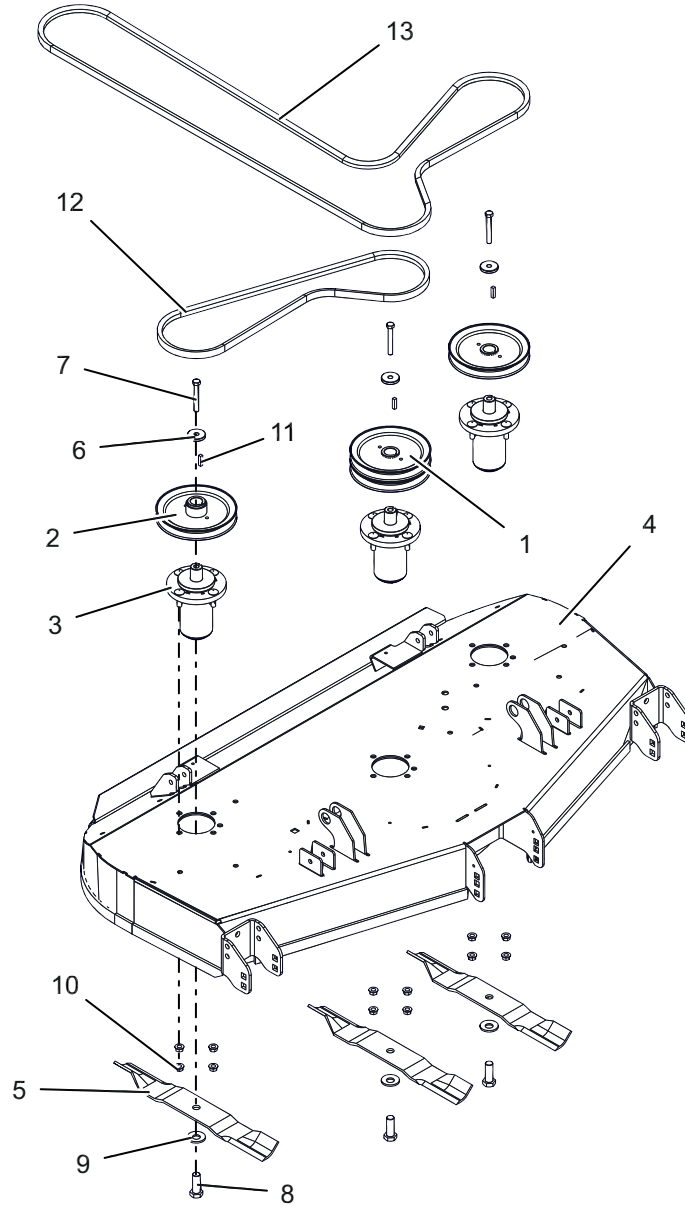


BOM ID	Number	Qty	Description
1	07328800	1	PULLEY, DOUBLE 1.000 ID X 6.750 OD
2	07328900	2	PULLEY, V-1.000 ID X 6.750 OD
3	58810800	3	ASM, ALUM SPINDLE
4	59122400	1	WLDMT, 52 SIDE DISCH DECK CE (ORANGE)
5	03253800	3	BLADE, 18"
6	04530500	3	RETAINER, SHEAVE SPINDLE
7	05901813	3	BLT, HEX 0.375-16X2.75 GR8 ZCC
8	05901822	3	BLT, HEX 0.625-18X1.75 GR8 ZCC
9	06445700	3	WSHR, BLVL-.63X1.625X.14
10	06500901	12	NUT, FLG-CTR LK .375-16 GR5 ZC120
11	06611200	3	KEY-SQ .250X.250X1.00 RC 40-50
12	07200806	1	V-BELT, B 58.45 RAW COGGED
13	07200816	1	V-BELT, HB SECTION



# DECK, BELTS, BLADES, AND SPINDLES – 52" – RD

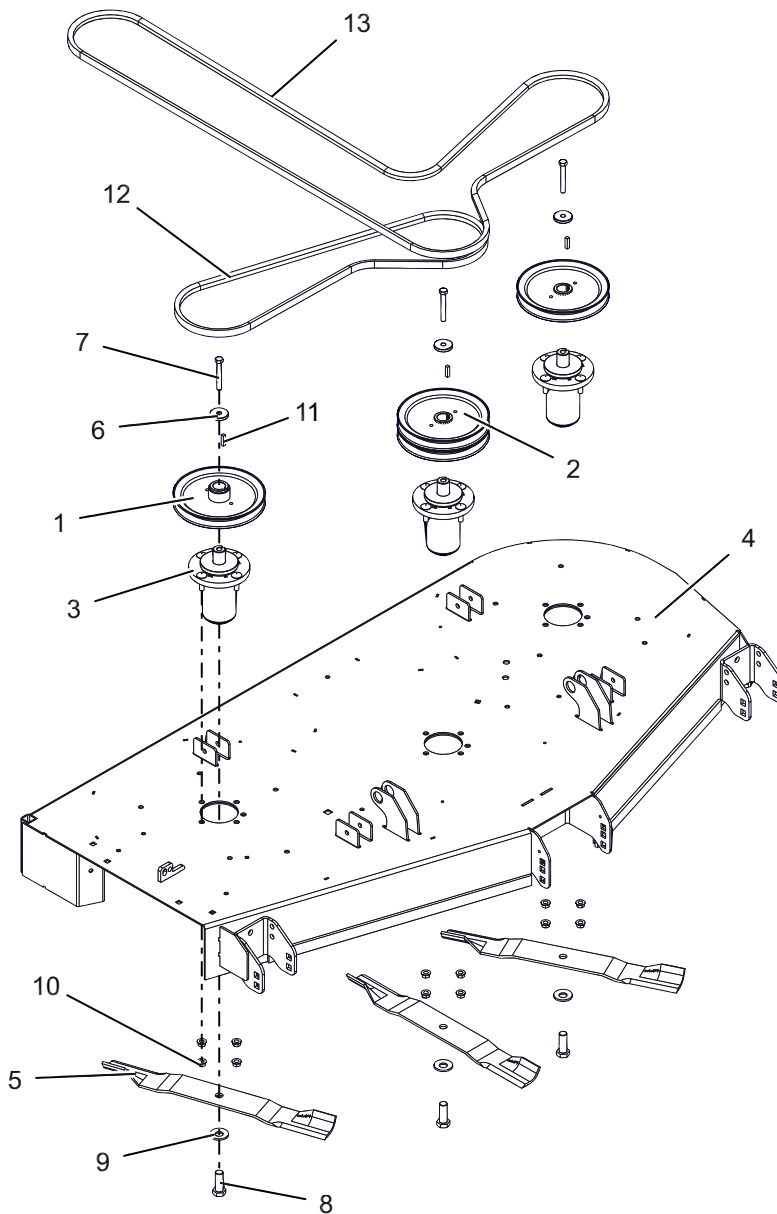
Model 991321



BOM ID	Number	Qty	Description
1	07328800	1	PULLEY, DOUBLE 1.000 ID X 6.750 OD
2	07328900	2	PULLEY, V-1.000 ID X 6.750 OD
3	58810800	3	ASM, ALUM SPINDLE
4	59123800	1	WLDMT, DECK 52 RD (ORANGE)
5	03253800	3	BLADE, 18"
6	04530500	3	RETAINER, SHEAVE SPINDLE
7	05901813	3	BLT, HEX 0.375-16X2.75 GR8 ZCC
8	05901822	3	BLT, HEX 0.625-18X1.75 GR8 ZCC
9	06445700	3	WSHR, BLVL-.63X1.625X.14
10	06500901	12	NUT, FLG-CTR LK .375-16 GR5 ZC120
11	06611200	3	KEY-SQ .250X.250X1.00 RC 40-50
12	07200806	1	V-BELT, B 58.45 RAW COGGED
13	07200816	1	V-BELT, HB SECTION

# DECK, BELTS, BLADES, AND SPINDLES – 60" – SD

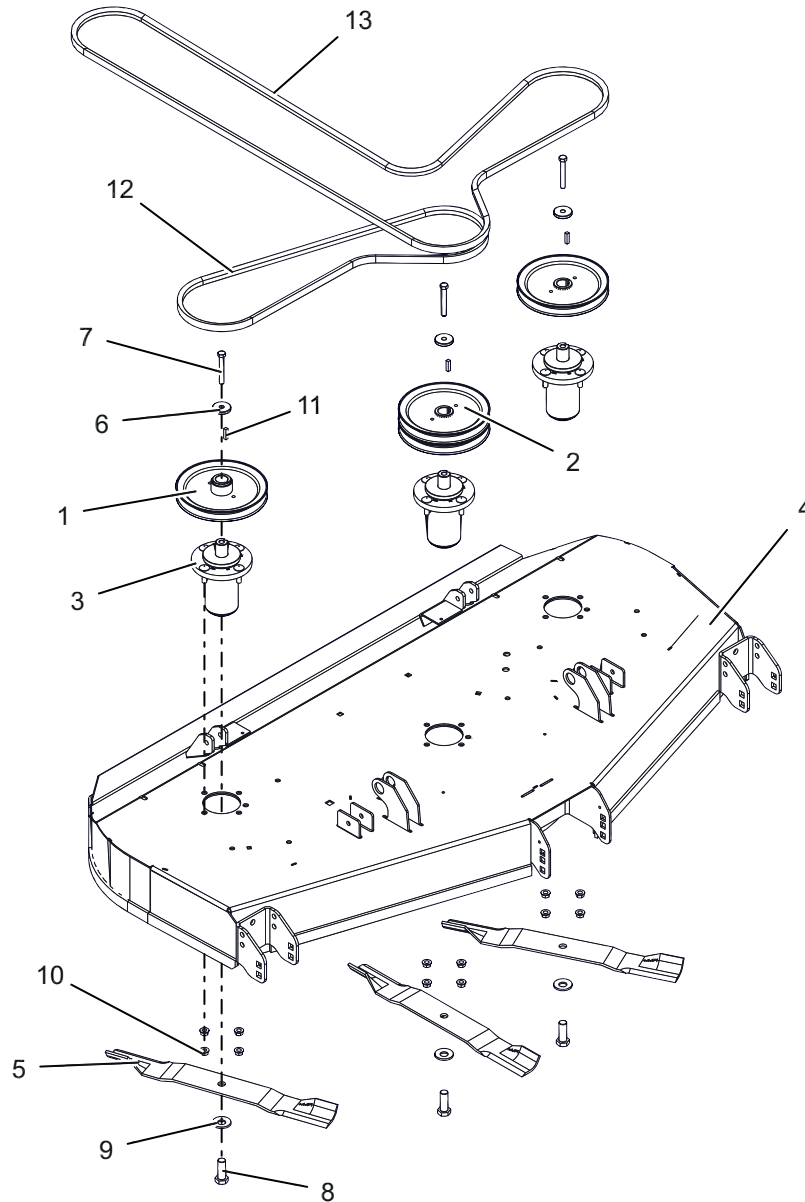
Model 991322



BOM ID	Number	Qty	Description
1	07345900	2	PULLEY, V-1" ID X 7.50" OD
2	07346600	1	PULLEY, DOUBLE 1"ID X 7.50"&7.50
3	58810800	3	ASM, ALUM SPINDLE
4	59122600	1	WLDMT, 60" CE SIDE DISCH DECK (ORANGE)
5	03253900	3	BLADE, 20.5"
6	04530500	3	RETAINER, SHEAVE SPINDLE
7	05901813	3	BLT, HEX 0.375-16X2.75 GR8 ZCC
8	05901822	3	BLT, HEX 0.625-18X1.75 GR8 ZCC
9	06445700	3	WSHR, BLVL-.63X1.625X.14
10	06500901	12	NUT, FLG-CTR LK .375-16 GR5 ZC120
11	06611200	3	KEY-SQ .250X.250X1.00 RC 40-50
12	07200807	1	V-BELT, B 65.375 RAW COGGED
13	07200817	1	V-BELT, HB SECTION

# DECK, BELTS, BLADES, AND SPINDLES – 60" – RD

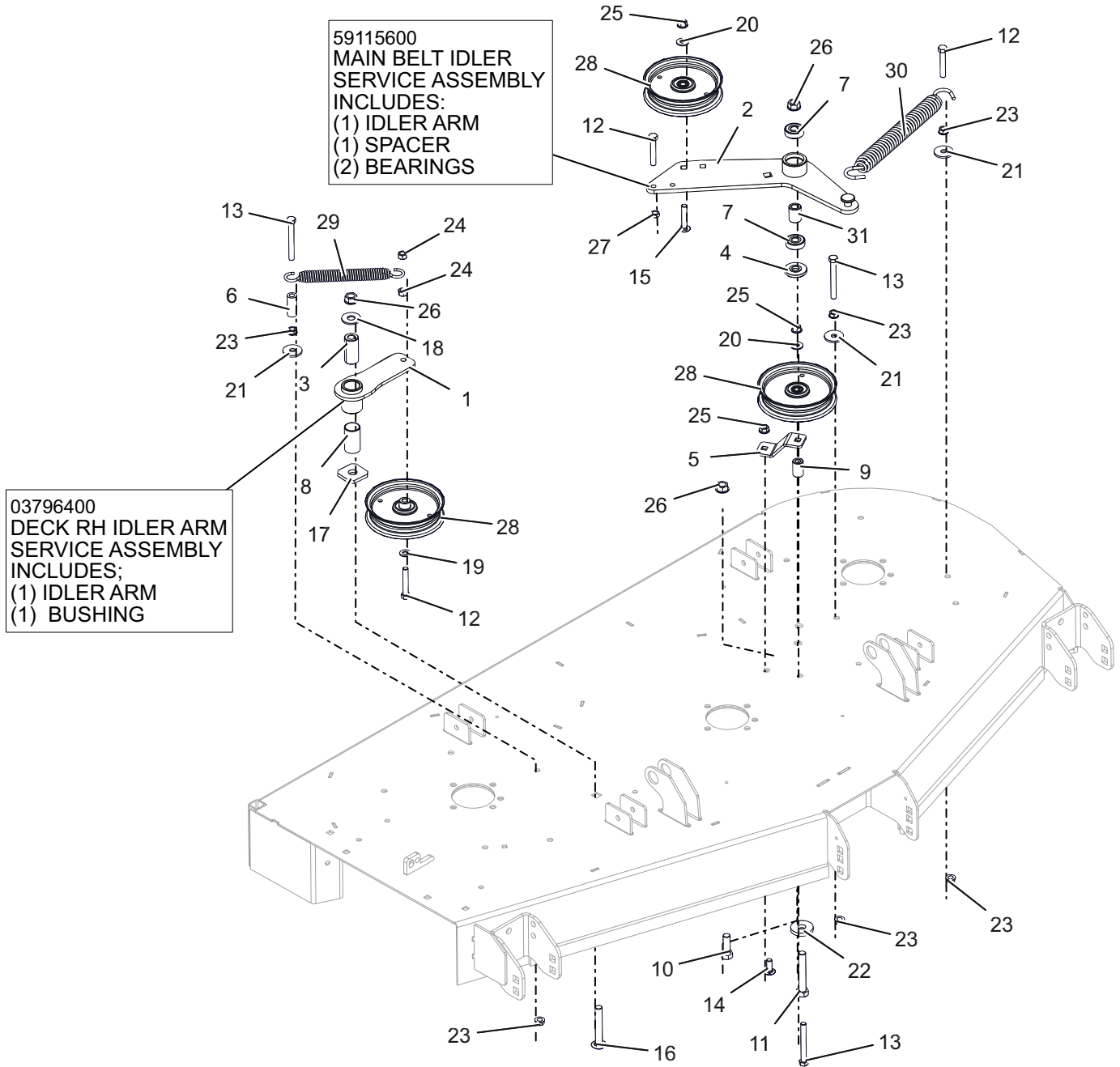
Model 991323



BOM ID	Number	Qty	Description
1	07345900	2	PULLEY, V-1" ID X 7.50" OD
2	07346600	1	PULLEY, DOUBLE 1"ID X 7.50"&7.50
3	58810800	3	ASM, ALUM SPINDLE
4	59123900	1	WLDMT, DECK 60 RD (ORANGE)
5	03253900	3	BLADE, 20.5"
6	04530500	3	RETAINER, SHEAVE SPINDLE
7	05901813	3	BLT, HEX 0.375-16X2.75 GR8 ZCC
8	05901822	3	BLT, HEX 0.625-18X1.75 GR8 ZCC
9	06445700	3	WSHR, BLVL-.63X1.625X.14
10	06500901	12	NUT, FLG-CTR LK .375-16 GR5 ZC120
11	06611200	3	KEY-SQ .250X.250X1.00 RC 40-50
12	07200807	1	V-BELT, B 65.375 RAW COGGED
13	07200817	1	V-BELT, HB SECTION

# IDLERS AND SHEAVES

## Model All

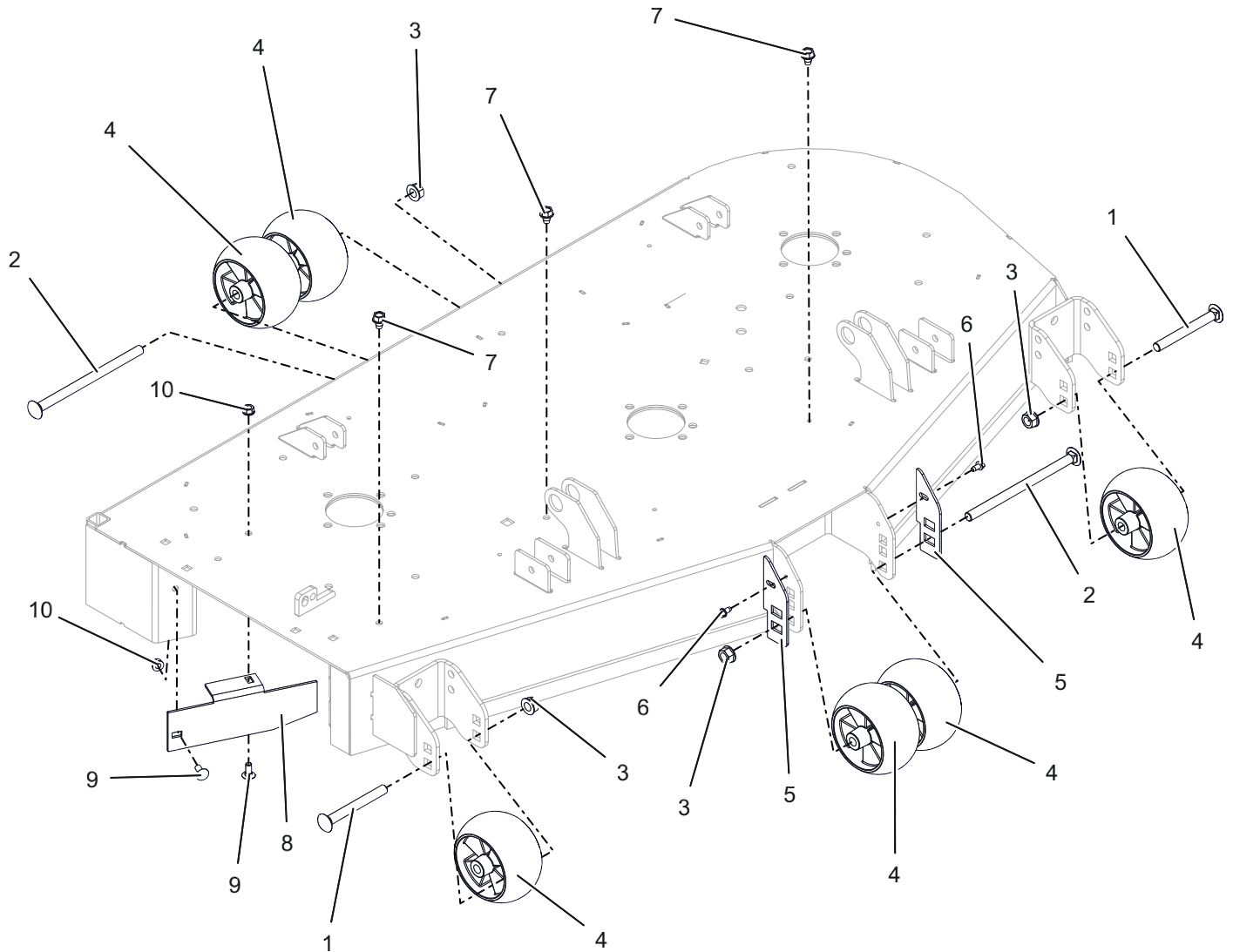


BOM ID	Number	Qty	Description
1	03774151	1	ASM, IDLER ARM W/BUSHING
2	04985600	1	WLDMT, DECK PTO IDLR ARM
3	01581700	1	SPACER SLEEVED .502X.997X2.03
4	04714600	1	SPACER FLANGED ARM
5	04981859	1	BRKT, PTO FIXED IDLER MTG (ORANGE)
6	05278000	1	HOSE, .38 X 1.65
7	05408000	2	BRG-BALL .500X1.375X.44
8	05501234	1	BSHG, 1.00x1.125x1.9375
9	05501308	1	BUSHING SLEEVED .380 X .750 X 1.190
10	05901631	1	BLT, HEX 0.5-13X1.5 GR5 ZC120
11	05901634	1	BLT, HEX 0.375-16X2.25 GR5 ZC120
12	05901640	3	BLT, HEX 0.375-16X2.25 GR5 ZC120
13	05901817	3	BLT, HEX 0.375-16X3.25 GR5 ZCC
14	06200235	1	BTL, RHSSN .375-16 X 1 G5 ZCC
15	06200323	1	BTL, RHSSN .375-16 X 2 G5 ZCC
16	06200339	1	BTL, RHSSN .500-13 X 3.25 G5 ZCC

BOM ID	Number	Qty	Description
17	06400829	1	WSHR, -FLT.640X1.75X.250
18	06401012	1	WSHR-FL-STL 0.563X1.375X0.109 ZC120
19	06401013	1	WSHR-FL-STL 0.406X0.812X0.065 ZC120
20	06401023	2	WSHR-FL-STL 0.375X0.875X0.083 ZC120
21	06401121	3	WSHR-FL-STL 0.406X1.375X0.135 ZCC
22	06401213	1	WSHR-FL-STL 0.557X1.625X0.25 ZCC
23	06500735	6	NUT, FLG-SPNLK .375-16 GR5 ZC120
24	06500825	2	NUT, HEX-CTR LK .375-16 GR5 ZCC
25	06500901	3	NUT, FLG-CTR LK .375-16 GR5 ZC120
26	06500902	3	NUT, FLG-CTR LK .500-13 GF ZCC
27	06500910	1	NUT-JAM .375-16 GR2 ZCC
28	07351200	3	IDLER, FLAT - .500 X .75
29	08300507	1	SPRG, EXTENSION - SWIVEL
30	08300708	1	SPRG, EXTENSION
31	09357700	1	SPACER SLEEVED SPACER, .510 X .867 X 1.148

# ANTI-SCALP WHEELS AND BAFFLE – 52" – SD

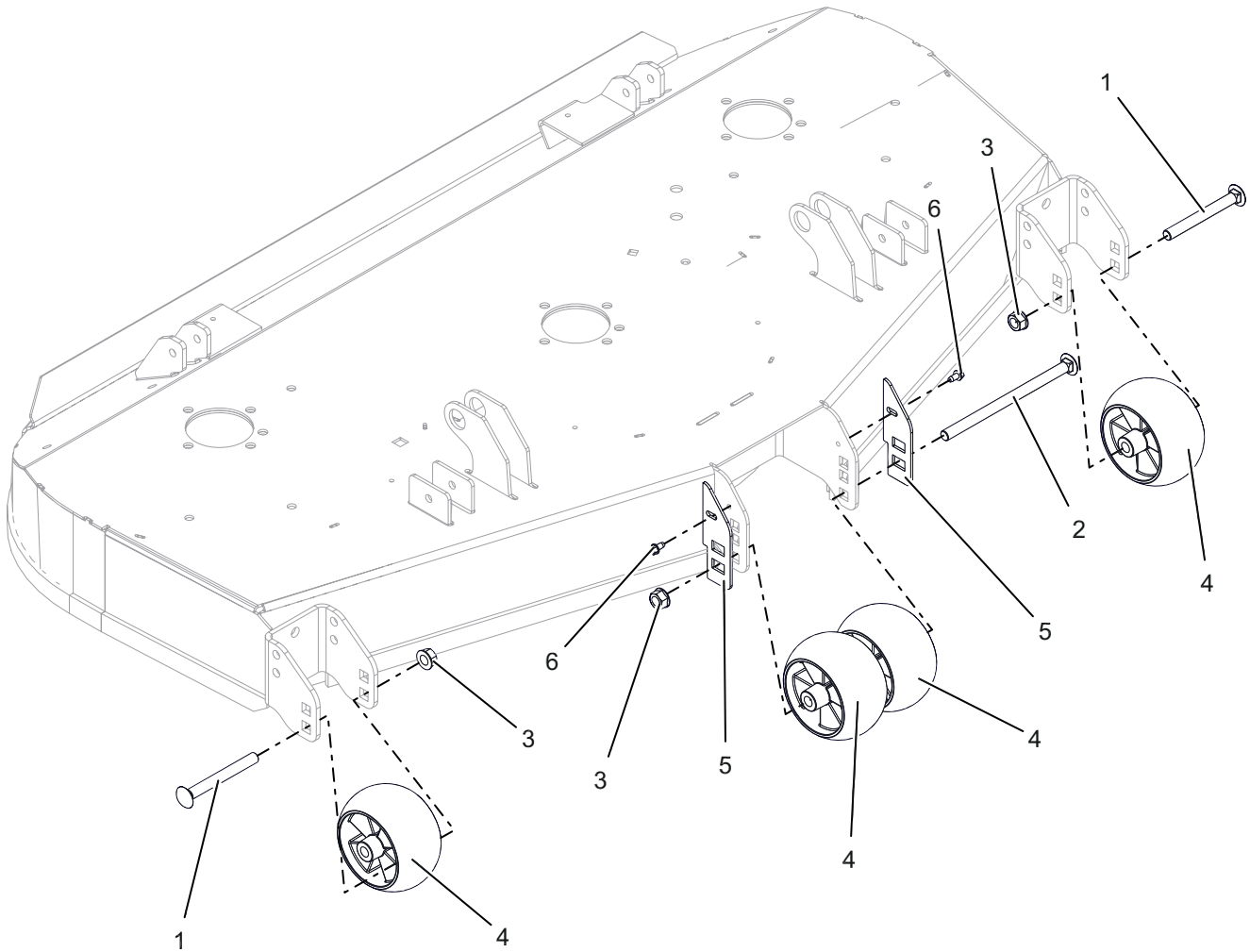
Model 991320



BOM ID	Number	Qty	Description
1	06200505	2	BOLT, RHNS .50-13X4.50 G5 ZCC NS
2	06200506	2	BOLT, RHNS .50-13X8.00 G5 ZCC NS
3	06500902	4	NUT, FLG-CTR LK .500-13 GF ZCC
4	05268800	6	WHEEL, ANTI SCALP - 5X3 CTR W/RIBS
5	05248559	2	PLATE, ANTI SCALP WHEEL 60" (ORANGE)
6	07400122	2	SCR-TAP .25-20X.50 HWH ZCC
7	07400126	3	SCR-TAP .38-16X.500 HWH ZCC
8	04389459	1	BAFFLE, DISCHARGE 52"
9	06200232	2	BLT,RHSN .313-18 X 0.75 G5 ZCC
10	06500840	2	NUT, FLG-CTR LK .312-18 GR5 ZCC

# ANTI-SCALP WHEELS – 52" – RD

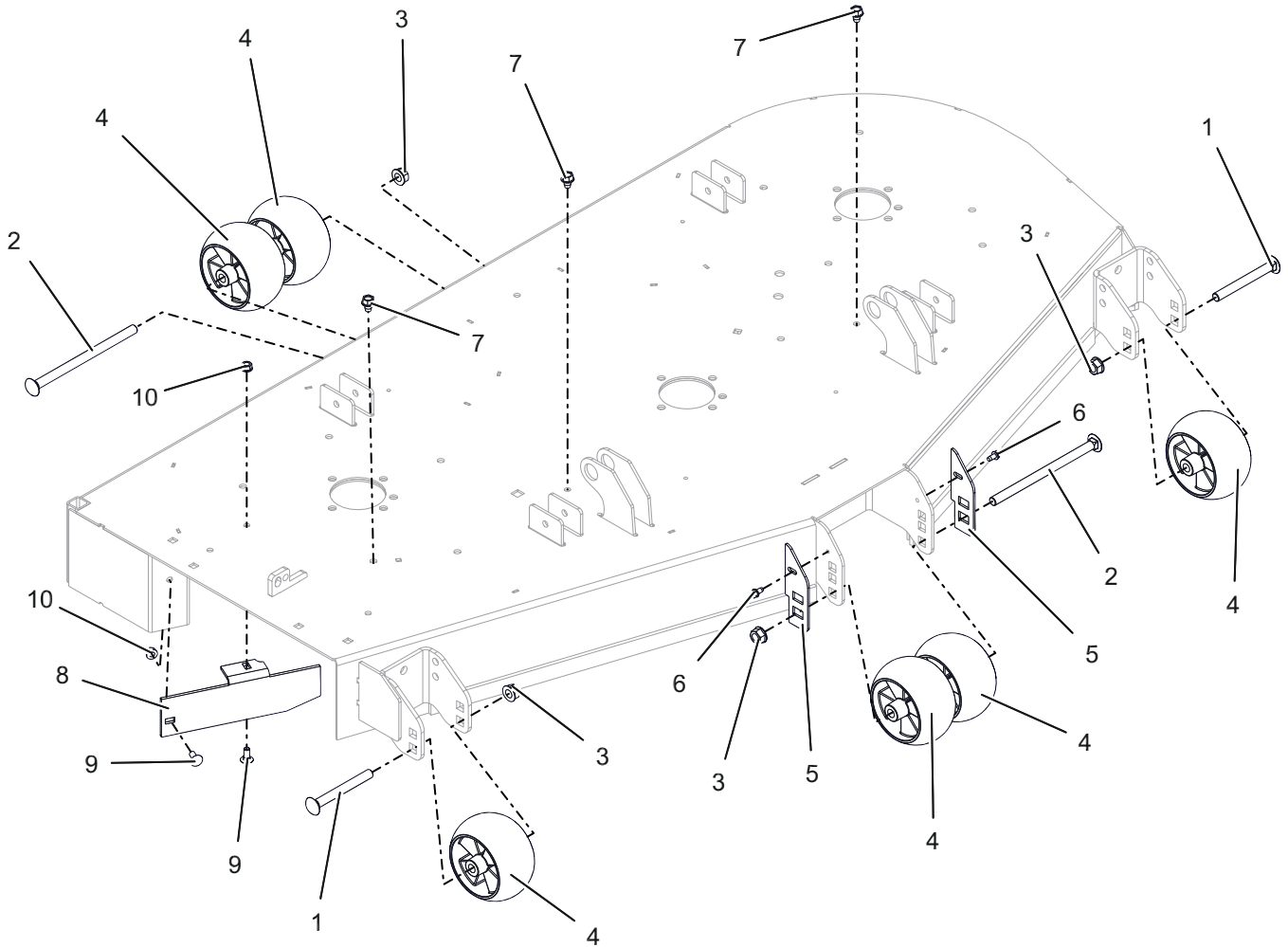
Model 991321



BOM ID	Number	Qty	Description
1	06200505	2	BOLT, RHNS .50-13X4.50 G5 ZCC NS
2	06200506	1	BOLT, RHNS .50-13X8.00 G5 ZCC NS
3	06500902	3	NUT, FLG-CTR LK .500-13 GF ZCC
4	05268800	4	WHEEL, ANTI SCALP - 5X3 CTR W/RIBS
5	05248559	2	PLATE, ANTI SCALP WHEEL 60" (ORANGE)
6	07400122	2	SCR-TAP .25-20X.50 HWH ZCC

# ANTI-SCALP WHEELS AND BAFFLE – 60" – SD

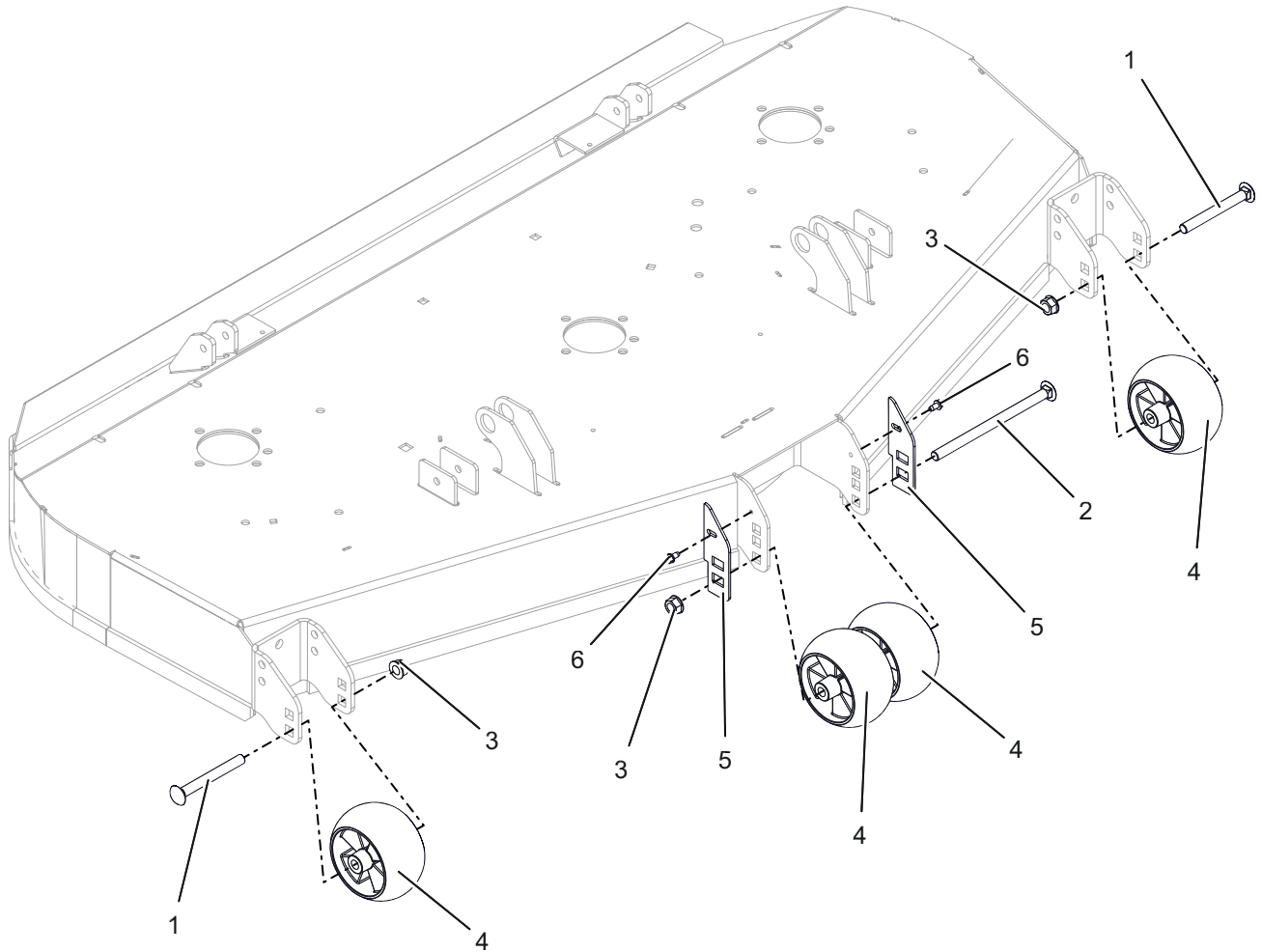
Model 991322



BOM ID	Number	Qty	Description
1	06200505	2	BOLT, RHNS .50-13X4.50 G5 ZCC NS
2	06200506	2	BOLT, RHNS .50-13X8.00 G5 ZCC NS
3	06500902	4	NUT, FLG-CTR LK .500-13 GF ZCC
4	05268800	6	WHEEL, ANTI SCALP - 5X3 CTR W/RIBS
5	05248559	2	PLATE, ANTI SCALP WHEEL 60" (ORANGE)
6	07400122	2	SCR-TAP .25-20X.50 HWH ZCC
7	07400126	3	SCR-TAP .38-16X.500 HWH ZCC
8	00374159	1	BAFFLE, 60" DISCHARGE
9	06200232	2	BLT,RHSN .313-18 X 0.75 G5 ZCC
10	06500840	2	NUT, FLG-CTR LK .312-18 GR5 ZCC

# ANTI-SCALP WHEELS – 60" – RD

Model 991323

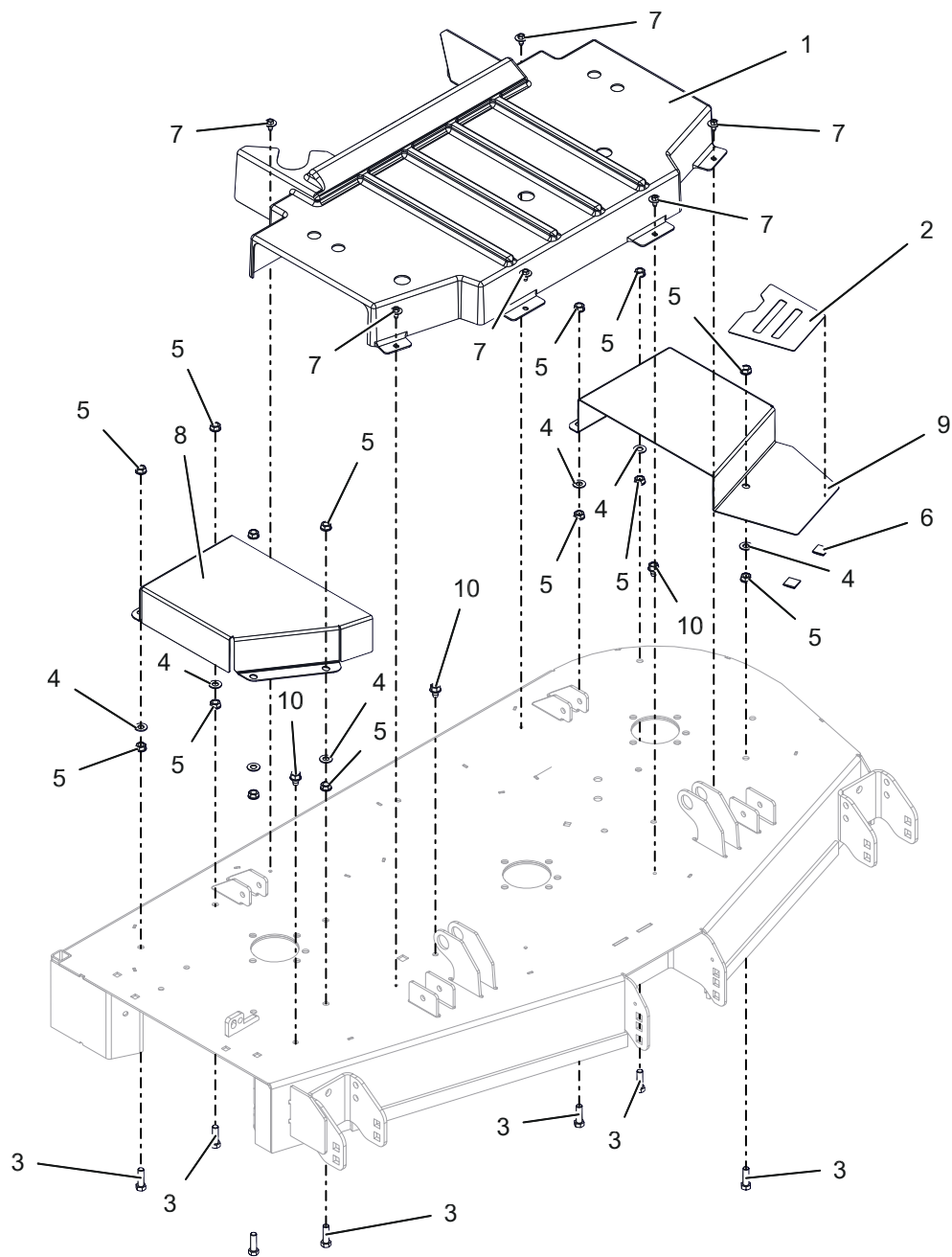


BOM ID	Number	Qty	Description
1	06200505	2	BOLT, RHNS .50-13X4.50 G5 ZCC NS
2	06200506	1	BOLT, RHNS .50-13X8.00 G5 ZCC NS
3	06500902	3	NUT, FLG-CTR LK .500-13 GF ZCC
4	05268800	4	WHEEL, ANTI SCALP - 5X3 CTR W/RIBS
5	05248559	2	PLATE, ANTI SCALP WHEEL 60" (ORANGE)
6	07400122	2	SCR-TAP .25-20X.50 HWH ZCC



# BELT GUARDS – 52" – SD

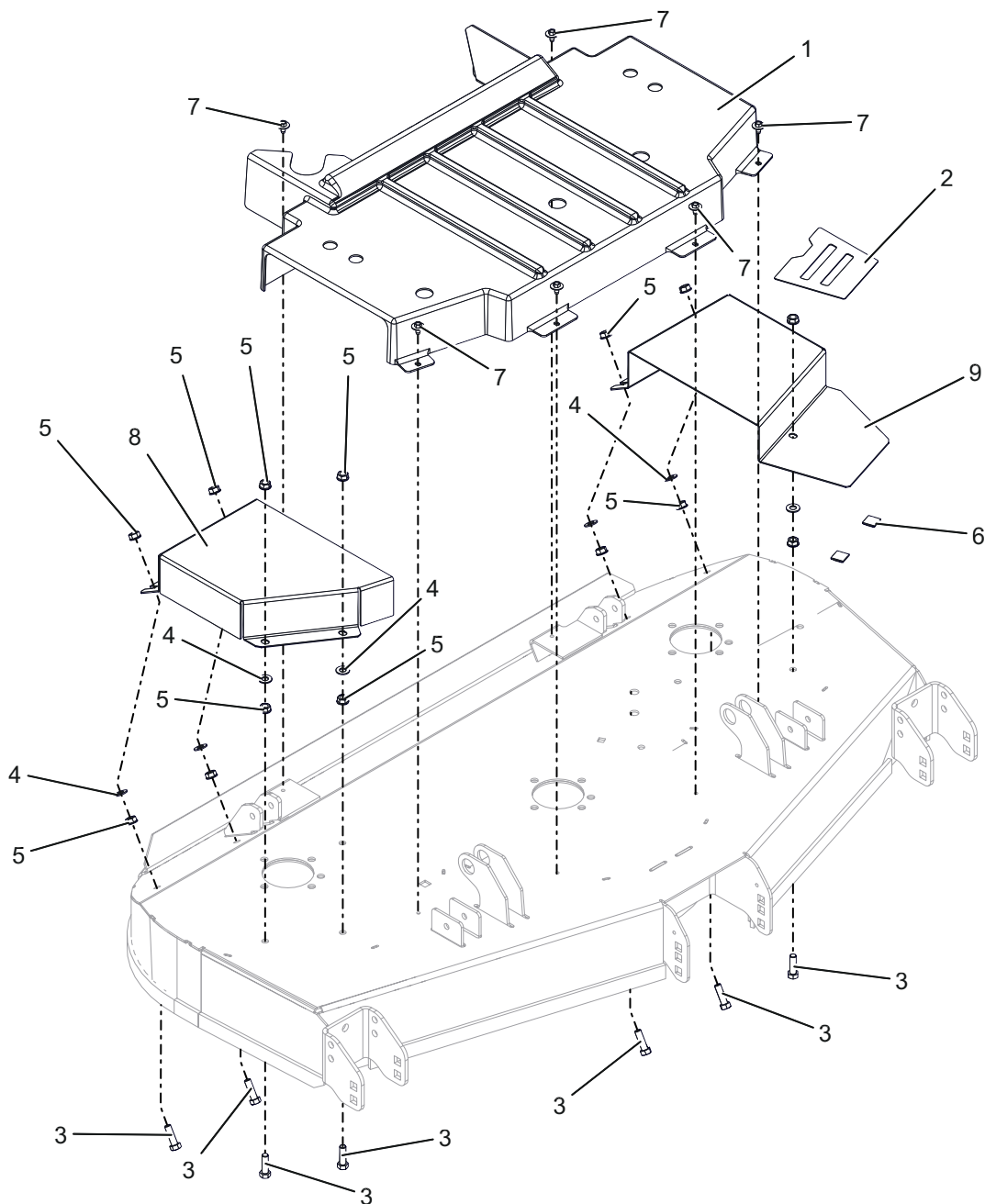
Model 991320



BOM ID	Number	Qty	Description
1	05140400	1	GUARD, CENTER DECK SPINDLE CE
2	05160100	1	GRIP, TAPE 52-60 BELT COVER
3	05901724	7	BLT, HEX 0.375-16X1.25 GR5 ZC120
4	06401013	7	WSHR-FL-STL 0.406X0.812X0.065 ZC120
5	06500735	14	NUT, FLG-SPNLK .375-16 GR5 ZC120
6	07525100	2	STOP, RUBBER
7	07400138	6	SCR-TAP .25-20X.50 LG HWH ZCC
8	05140259	1	GUARD, BELT 52/60 RIGHT CE (ORANGE)
9	05140359	1	GUARD, BELT 52" LEFT CE (ORANGE)
10	07400126	3	SCR-TAP .38-16X.500 HWH ZCC

# BELT GUARDS – 52" – RD

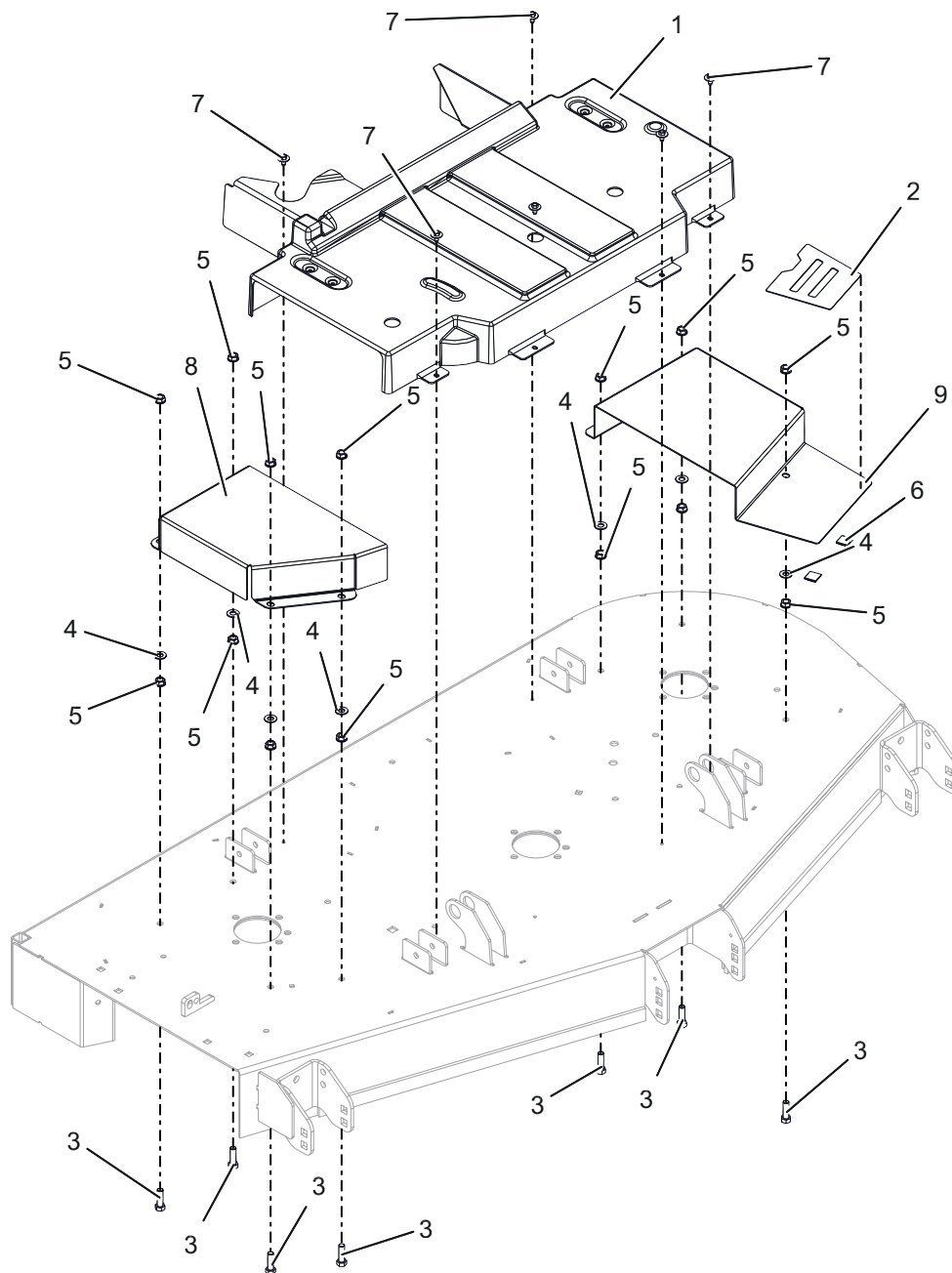
Model 991321



BOM ID	Number	Qty	Description
1	05140400	1	GUARD, CENTER DECK SPINDLE CE
2	05160100	1	GRIP, TAPE 52-60 BELT COVER
3	05901724	7	BLT, HEX 0.375-16X1.25 GR5 ZC120
4	06401013	7	WSHR-FL-STL 0.406X0.812X0.065 ZC120
5	06500735	14	NUT, FLG-SPNLK .375-16 GR5 ZC120
6	07525100	2	STOP, RUBBER
7	07400138	6	SCR-TAP .25-20X.50 LG HWH ZCC
8	30216959	1	GUARD, BELT 52 RH CE RD (ORANGE)
9	30216859	1	GUARD, BELT 52 LH CE RD (ORANGE)

# BELT GUARDS – 60" – SD

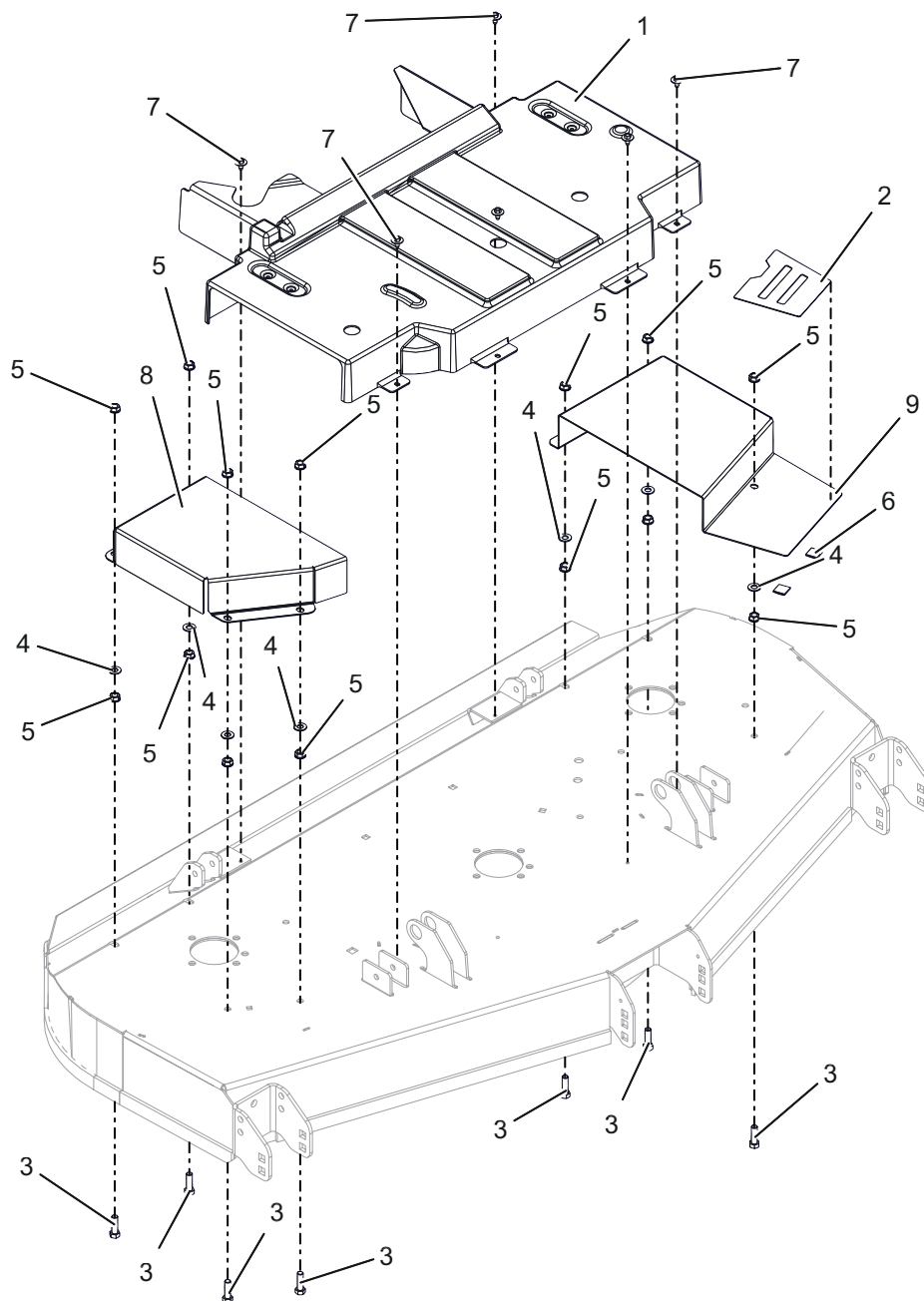
Model 991322



BOM ID	Number	Qty	Description
1	05251400	1	GUARD, CENTER DECK SPINDLE CE
2	05160100	1	GRIP, TAPE 52-60 BELT COVER
3	05901724	7	BLT, HEX 0.375-16X1.25 GR5 ZC120
4	06401013	7	WSHR-FL-STL 0.406X0.812X0.065 ZC120
5	06500735	14	NUT, FLG-SPNLK .375-16 GR5 ZC120
6	07525100	2	STOP, RUBBER
7	07400138	6	SCR-TAP .25-20X.50 LG HWH ZCC
8	05140259	1	GUARD, BELT 52/60 RIGHT CE (ORANGE)
9	05250659	1	GUARD, BELT 60" LEFT CE (ORANGE)

# BELT GUARDS – 60" – RD

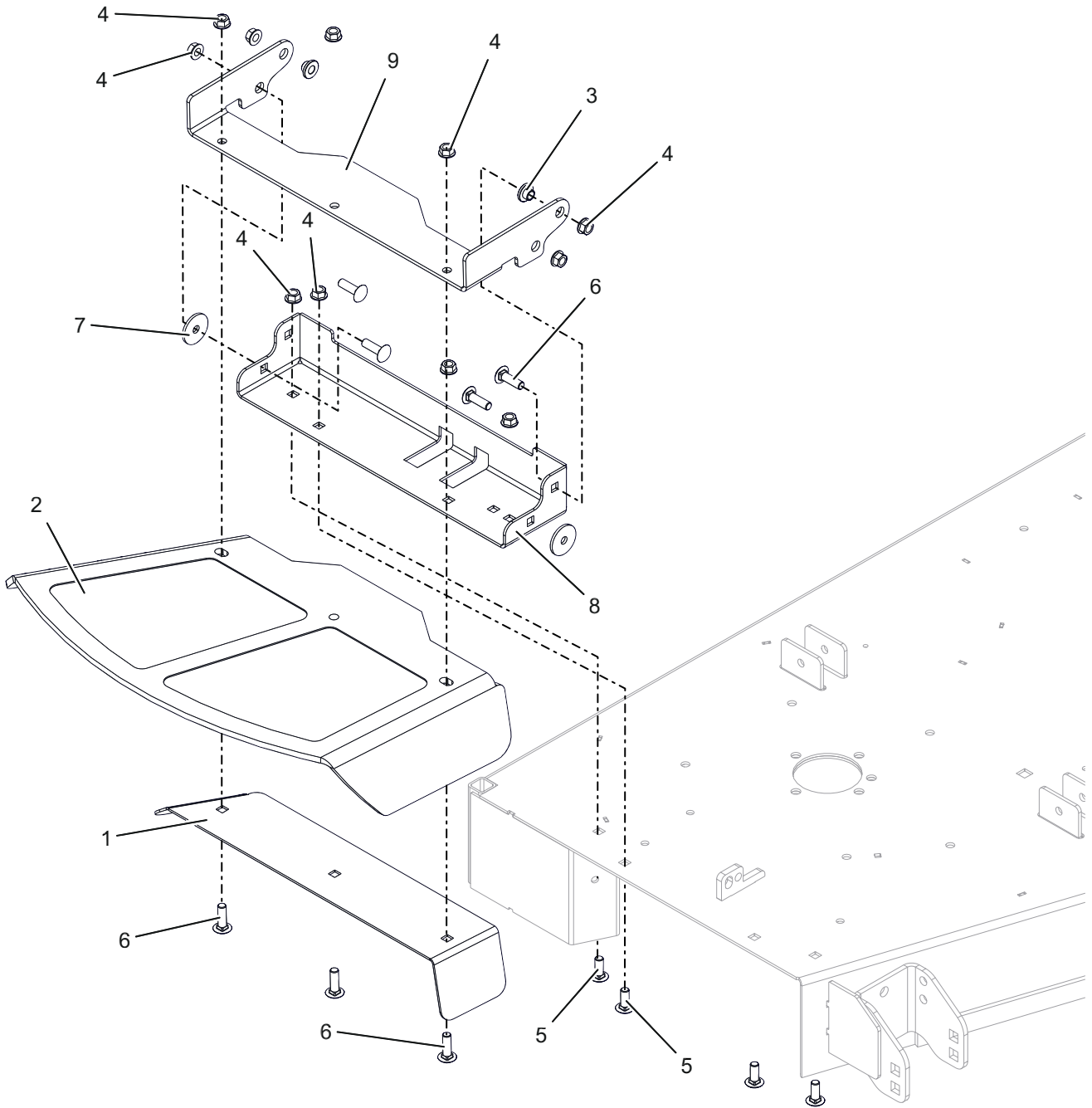
Model 991323



BOM ID	Number	Qty	Description
1	05251400	1	GUARD, CENTER DECK SPINDLE CE
2	05160100	1	GRIP, TAPE 52-60 BELT COVER
3	05901724	7	BLT, HEX 0.375-16X1.25 GR5 ZC120
4	06401013	7	WSHR-FL-STL 0.406X0.812X0.065 ZC120
5	06500735	14	NUT, FLG-SPNLK .375-16 GR5 ZC120
6	07525100	2	STOP, RUBBER
7	07400138	6	SCR-TAP .25-20X.50 LG HWH ZCC
8	05140259	1	GUARD, BELT 52/60 RIGHT CE (ORANGE)
9	05250659	1	GUARD, BELT 60" LEFT CE (ORANGE)

# DISCHARGE CHUTE – SD

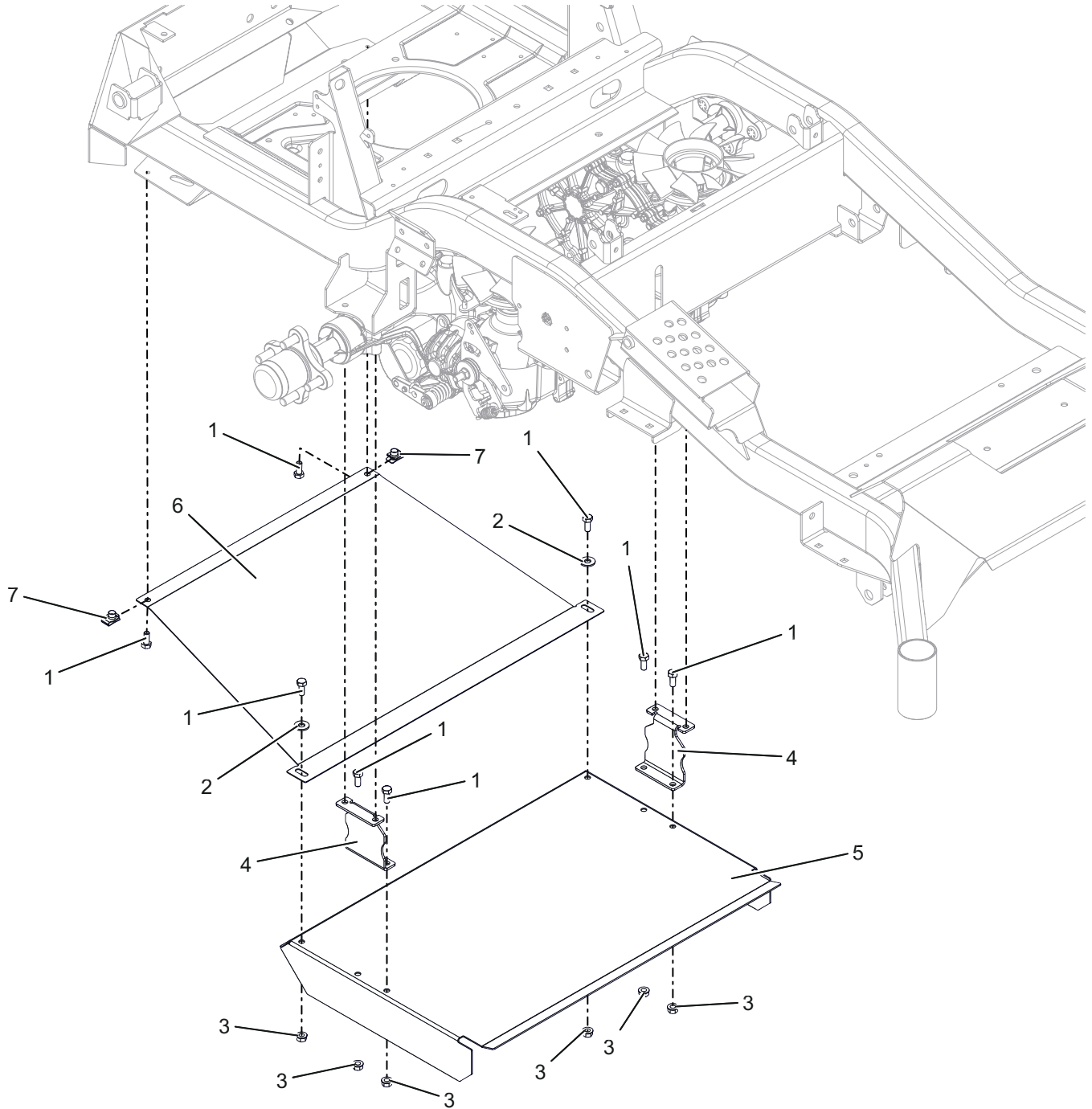
Model 991320, 322



BOM ID	Number	Qty	Description
1	05145959	1	PLATE, CE DISCH CHUTE CLAMP (ORANGE)
2	05269900	1	CHUTE, FORMED RUBBER DISCHARGE
3	05500435	2	BUSHING FLANGED FLG .385 X .500 X .875 X .406
4	06500901	11	NUT, FLG-CTR LK .375-16 GR5 ZC120
5	06200235	4	BLT,RHSSN .375-16 X 1 G5 ZCC
6	06200236	7	BLT,RHSSN .375-16 X 1.25 G5 ZCC
7	06401106	2	WSHR-FL-STL 0.38X1.5X0.125 ZCC
8	59112700	1	BASE, DISCHARGE CHUTE MTG BRKT CE (ORANGE)
9	30211359	1	BRKT, CE CHUTE MTG (ORANGE)

# DEFLECTORS – RD

Model 991321, 323



BOM ID	Number	Qty	Description
1	05901704	8	BLT, HEX 0.3125-18X0.75 GR5 ZC120
2	06401023	2	WSHR-FL-STL 0.375X0.875X0.083 ZC120
3	06500840	6	NUT, FLG-CTR LK .312-18 GR5 ZCC
4	30218151	2	BRKT, DEFLECTOR SUPPORT (BLACK)
5	30218051	1	DEFLECTOR, TRANSAXLE (BLACK)
6	30218251	1	DEFLECTOR, UNDERBODY (BLACK)
7	07000829	2	NUT-CLIP RETAINER 5/16-18X.56

# NOTES

---



**ARIENS®**

655 West Ryan Street  
Brillion, WI 54110

[ariensco.com](http://ariensco.com)



**ARIENS** | CO